



US00D729988S

(12) **United States Design Patent**
Holm et al.

(10) **Patent No.:** **US D729,988 S**
(45) **Date of Patent:** **** May 19, 2015**

(54) **FEEDER AND WATERER**

(71) Applicants: **Hans Joachim Holm**, Westerroefeld
(DE); **Hans Joachim Laue**,
Osterroefeld (DE)

(72) Inventors: **Hans Joachim Holm**, Westerroefeld
(DE); **Hans Joachim Laue**,
Osterroefeld (DE)

(**) Term: **14 Years**

(21) Appl. No.: **29/469,090**

(22) Filed: **Oct. 7, 2013**

(30) **Foreign Application Priority Data**

Apr. 23, 2013 (EP) 002225698

(51) **LOC (10) Cl.** **30-03**

(52) **U.S. Cl.**
USPC **D30/121; D30/132; D30/133**

(58) **Field of Classification Search**
USPC **D30/133, 121, 122, 124, 127, 128, 132,**
D30/131; 119/51.01, 61, 51.04, 53, 57.91,
119/54, 53.5, 52.4, 51.11, 63, 61.2, 52.1,
119/57.5, 57.6, 51.13, 62, 75, 500, 501;
239/7, 687, 379, 397.5; 222/199,
222/181.1, 181.2, 185.1, 557, 156, 485,
222/486, 548, 555; 220/200, 227, 247, 262;
221/174, 185.1, 289, 295, 296, 559;
454/35; 209/270, 283, 244; 52/194,
52/192; 49/279, 344, 357; D34/28
See application file for complete search history.

(56) **References Cited**

U.S. PATENT DOCUMENTS

337,870 A * 3/1886 Roberts 414/457
436,373 A * 9/1890 McDonna 280/47.18
517,642 A * 4/1894 Campbell 414/457

978,562 A * 12/1910 Choate 248/141
1,458,058 A * 6/1923 Hoppes 119/51.01
1,844,065 A * 2/1932 Heintz et al. 406/101
2,596,390 A * 5/1952 Essick 280/43
2,683,012 A * 7/1954 Reinsma 248/129
2,942,574 A * 6/1960 Golay 119/51.01
2,974,633 A * 3/1961 Whidden 119/51.01
3,055,674 A * 9/1962 Karwatt et al. 280/47.131
D197,734 S * 3/1964 Wahl D15/13
D222,642 S * 11/1971 Broyhill D15/13
3,658,383 A * 4/1972 Sisson 298/2
3,675,940 A * 7/1972 Crookston 280/47.26
3,703,260 A * 11/1972 Grabske 239/666
D231,784 S * 6/1974 Morehouse D15/13
4,106,648 A * 8/1978 Dickson 414/446
D249,348 S * 9/1978 Hughes D15/13

(Continued)

FOREIGN PATENT DOCUMENTS

DE 202005012843 U1 12/2005
DE 202009001542 U1 7/2009
EP 1897438 A2 3/2008

Primary Examiner — Susan Moon Lee

(74) *Attorney, Agent, or Firm* — Stuart H. Mayer; Mayer & Williams PC

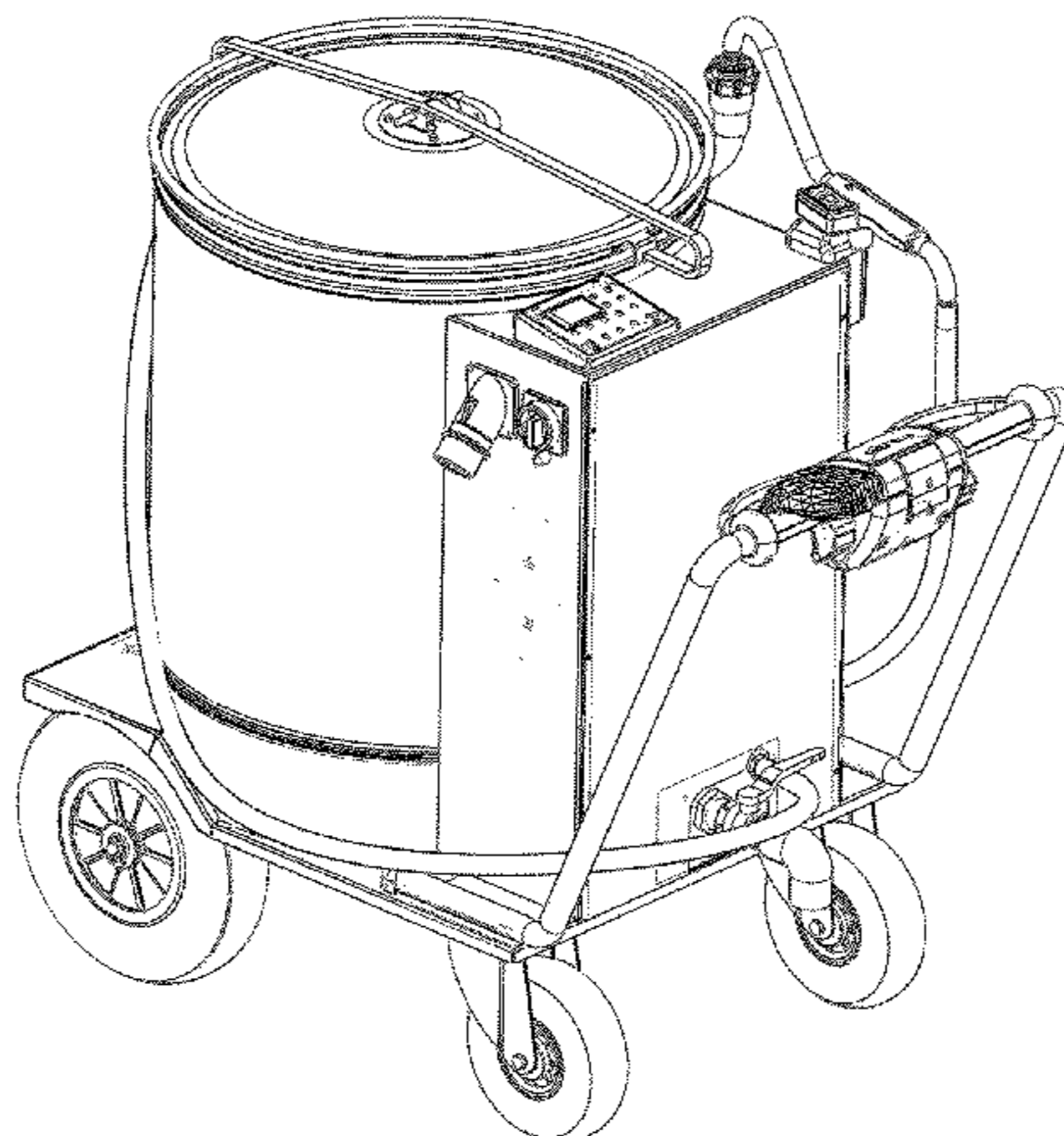
(57) **CLAIM**

The ornamental design for a feeder and waterer, as shown and described.

DESCRIPTION

FIG. 1 is a front view of the feeder and waterer;
FIG. 2 is a right side view of the feeder and waterer;
FIG. 3 is a top view of the feeder and waterer;
FIG. 4 is a left side view of the feeder and waterer;
FIG. 5 is a front upper perspective view of the feeder and waterer;
FIG. 6 is a rear upper perspective view of the feeder and waterer; and,
FIG. 7 is a back view of the feeder and waterer.

1 Claim, 7 Drawing Sheets



(56)

References Cited

U.S. PATENT DOCUMENTS

- 4,171,684 A * 10/1979 Herr et al. 119/521
4,179,132 A * 12/1979 Rich 280/47.26
4,187,950 A * 2/1980 Peet 414/421
D257,148 S * 9/1980 Morford D15/13
4,291,665 A * 9/1981 Bash et al. 124/56
4,313,701 A * 2/1982 Brust 410/52
4,451,053 A * 5/1984 Alioa et al. 280/47.26
4,487,370 A * 12/1984 Speicher 239/687
D280,625 S * 9/1985 Verive D15/13
D282,931 S * 3/1986 Doering et al. D15/13
4,583,883 A * 4/1986 Johanning 406/65
4,597,531 A * 7/1986 Kise 239/650
4,614,350 A * 9/1986 Bunch 280/47.24
D298,328 S * 11/1988 Keough et al. D15/13
D298,946 S * 12/1988 Schave et al. D15/13
4,846,608 A * 7/1989 Sanders 406/144
4,867,381 A * 9/1989 Speicher 239/665
4,907,538 A * 3/1990 Helmle et al. 119/51.01
D307,589 S * 5/1990 Ridgeon D15/13
D308,526 S * 6/1990 Stalder et al. D15/10
4,984,536 A * 1/1991 Powell et al. 119/51.04
D320,481 S * 10/1991 Sterner D30/121
5,054,693 A * 10/1991 Chow 239/681
D327,728 S * 7/1992 Baker D23/214
5,154,317 A * 10/1992 Roppolo, III 222/66
5,156,102 A * 10/1992 Andersen 111/175
5,209,608 A * 5/1993 Edwards 406/100
D340,553 S * 10/1993 Sahm, Jr. D30/121
5,333,885 A * 8/1994 Pullman 280/47.19
D353,914 S * 12/1994 Sahm, Jr. D30/121
5,380,033 A * 1/1995 Harling 280/654
D367,071 S * 2/1996 McKay D15/27
5,572,954 A * 11/1996 Elkins 119/502
5,713,583 A * 2/1998 Hansen 280/47.19
5,785,329 A * 7/1998 Stanley 280/79.5
5,842,595 A * 12/1998 Williams 220/495.11
5,860,604 A * 1/1999 Kooiker 239/684
6,047,866 A * 4/2000 Brown 222/608
6,135,467 A * 10/2000 Tagariello 280/79.5
D457,532 S * 5/2002 Jong D15/10
6,386,557 B1 * 5/2002 Weldon 280/30
6,425,714 B1 * 7/2002 Waddell 406/81
6,557,598 B2 * 5/2003 Glover et al. 141/387
6,606,966 B1 * 8/2003 Teachey et al. 119/665
6,651,992 B1 * 11/2003 Smith, Sr. 280/47.26
6,702,208 B1 * 3/2004 Hadler et al. 239/668
6,782,844 B2 * 8/2004 Winney 119/78
6,938,829 B2 * 9/2005 Doherty et al. 239/1
7,063,280 B1 * 6/2006 Bogart et al. 239/687
D536,219 S * 2/2007 Gearing D7/606
7,191,732 B2 * 3/2007 Neal, Jr. 119/57.91
7,252,049 B2 * 8/2007 Ginsberg 119/57.91
D555,671 S * 11/2007 Bretzler D15/13
D569,877 S * 5/2008 Tyler D15/13
7,387,305 B2 * 6/2008 Vanderberg et al. 280/47.26
7,431,313 B1 * 10/2008 Torres et al. 280/47.26
7,438,300 B1 * 10/2008 Zien et al. 280/79.5
7,549,653 B2 * 6/2009 Vanderberg et al. 280/47.26
7,597,392 B1 * 10/2009 Gilmore 297/217.1
D610,591 S * 2/2010 Choi et al. D15/13
7,661,685 B2 * 2/2010 Thibault 280/47.35
7,677,580 B2 * 3/2010 Vanderberg et al. 280/47.18
7,677,581 B2 * 3/2010 Vanderberg et al. 280/47.26
7,735,334 B2 * 6/2010 Johnson 62/457.4
D619,625 S * 7/2010 Schroeder et al. D15/13
D630,802 S * 1/2011 Meritt D30/121
D640,287 S * 6/2011 Dubois et al. D15/10
D659,340 S * 5/2012 Rouillard et al. D34/27
D664,402 S * 7/2012 Blakeman D7/606
8,262,004 B2 * 9/2012 Gamble et al. 239/681
8,276,923 B2 * 10/2012 Plesh et al. 280/47.26
8,317,205 B2 * 11/2012 Udall et al. 280/47.26
D673,586 S * 1/2013 Truan et al. D15/13
D681,684 S * 5/2013 Fornaci et al. D15/13
8,443,758 B1 * 5/2013 Williams 119/57.2
8,613,464 B2 * 12/2013 Blakeman 280/655
8,622,660 B1 * 1/2014 Gore et al. 406/41
8,632,018 B2 * 1/2014 Kline et al. 239/146
D701,092 S * 3/2014 Olguin D7/628
8,757,521 B2 * 6/2014 Cichy et al. 239/683
8,757,639 B2 * 6/2014 Graffis 280/30
8,789,801 B2 * 7/2014 Newman 248/133
2002/0162513 A1 * 11/2002 Winney 119/78
2002/0185075 A1 * 12/2002 Glover et al. 119/57.91
2004/0245734 A1 * 12/2004 Thomas 280/47.26
2005/0126501 A1 * 6/2005 Davis 119/51.01
2006/0027173 A1 * 2/2006 Overstreet 119/51.01
2006/0032450 A1 * 2/2006 Ginsberg 119/57.91
2006/0054722 A1 * 3/2006 Jones 239/663
2006/0112889 A1 * 6/2006 Robbins 119/51.01
2006/0237927 A1 * 10/2006 Vanderberg et al. 280/35
2006/0237928 A1 * 10/2006 Vanderberg et al. 280/35
2008/0223072 A1 * 9/2008 Vanderberg et al. 62/457.7
2008/0223862 A1 * 9/2008 Vanderberg et al. 220/592.03
2008/0282650 A1 * 11/2008 Federas 53/562
2008/0284138 A1 * 11/2008 Acosta 280/659
2009/0026721 A1 * 1/2009 Martinez 280/79.5
2009/0050063 A1 * 2/2009 Chang et al. 119/51.01
2009/0202311 A1 * 8/2009 Deal et al. 406/41
2011/0023787 A1 * 2/2011 Pastoor et al. 119/51.01
2013/0127128 A1 * 5/2013 Meidl 280/47.17

* cited by examiner

FIG. 1

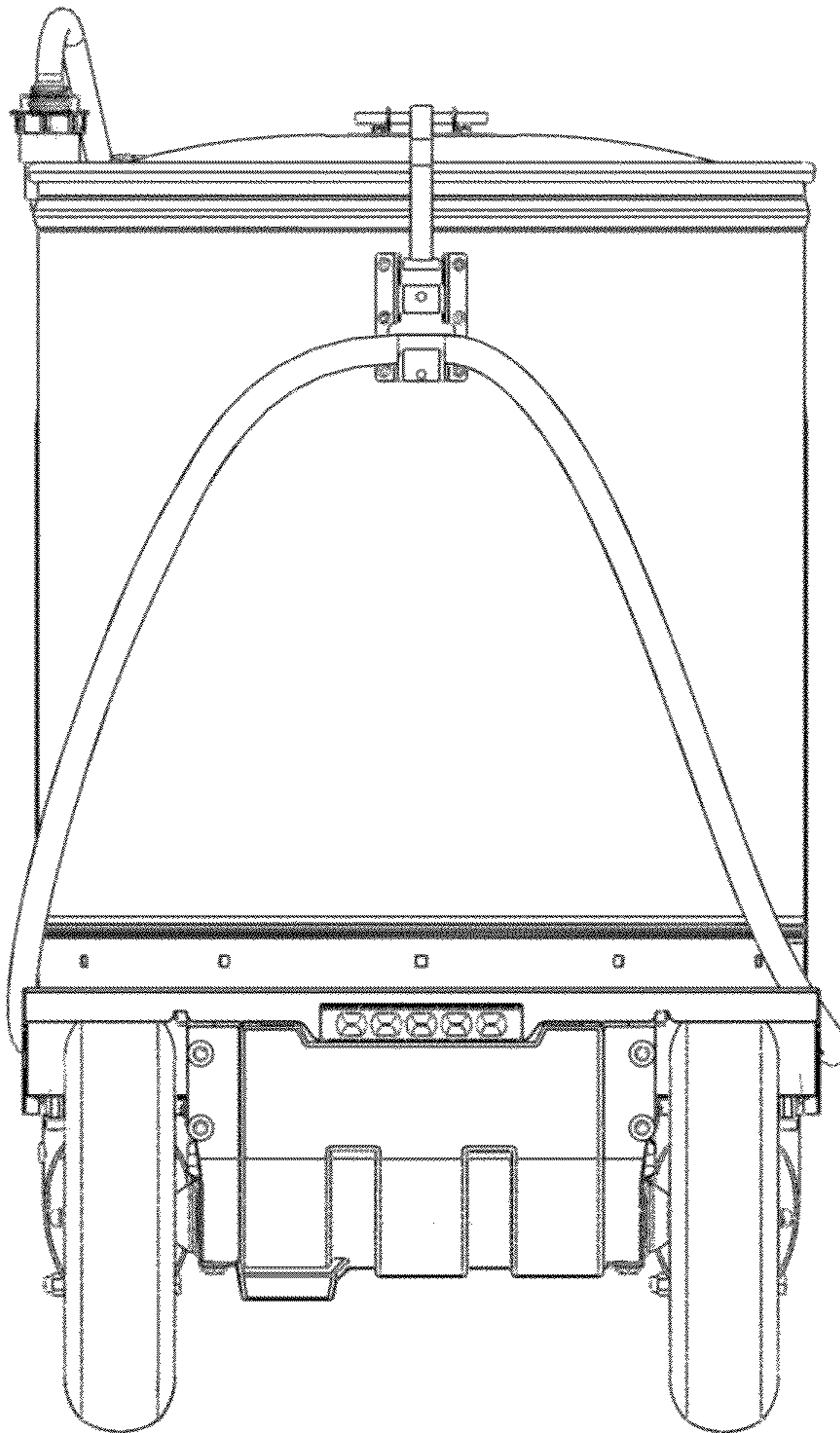


FIG. 2

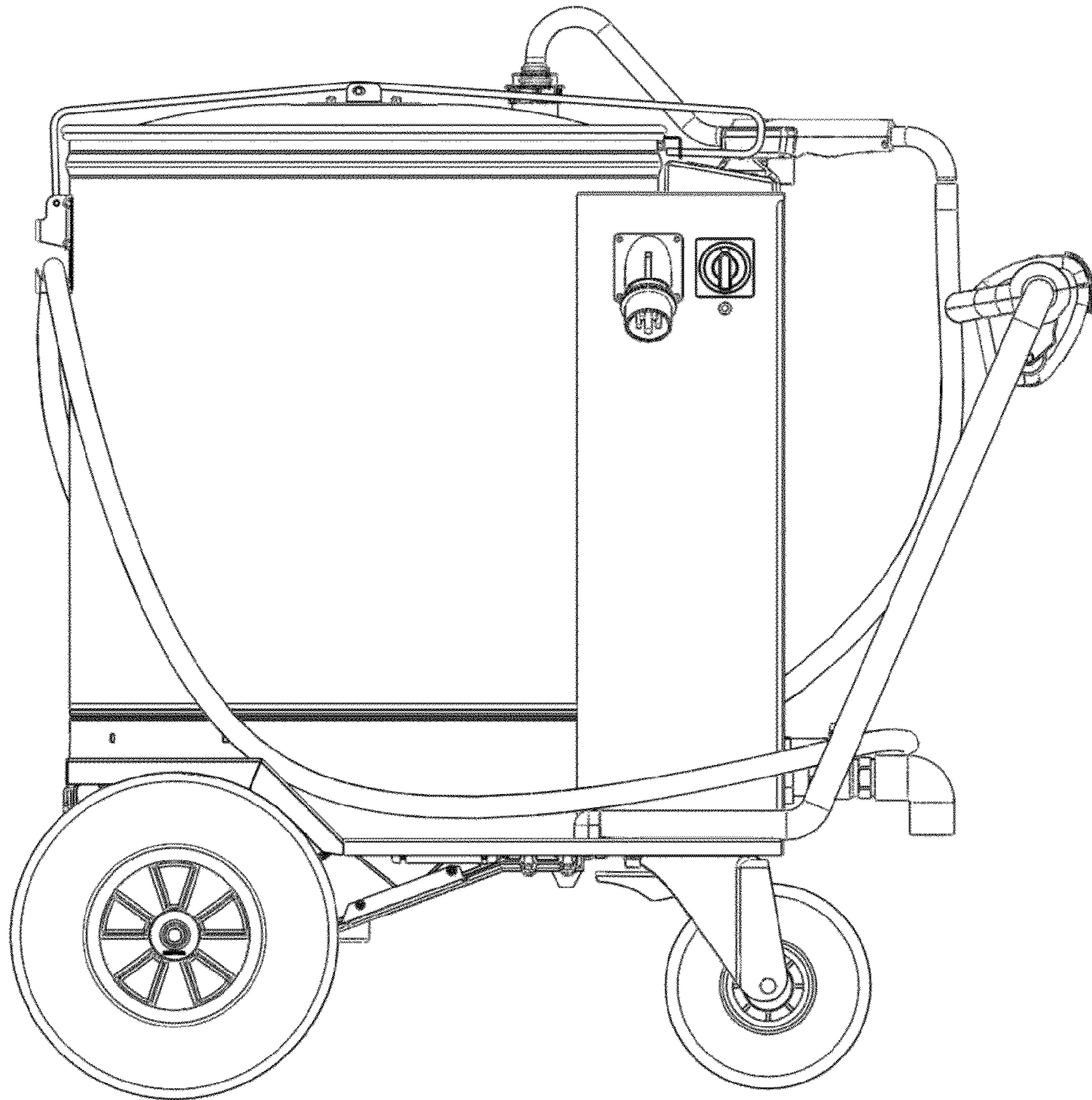


FIG. 3

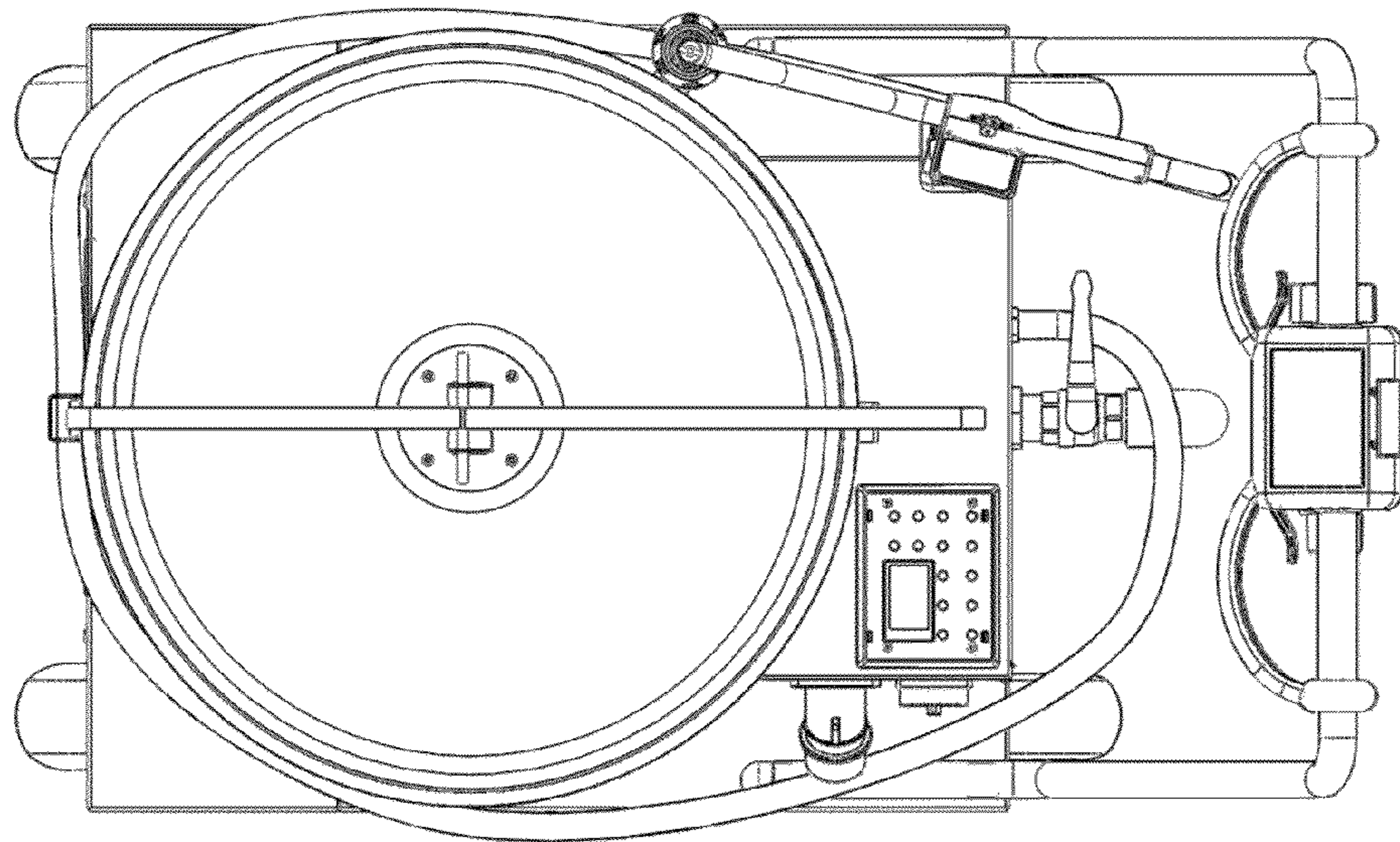


FIG. 4

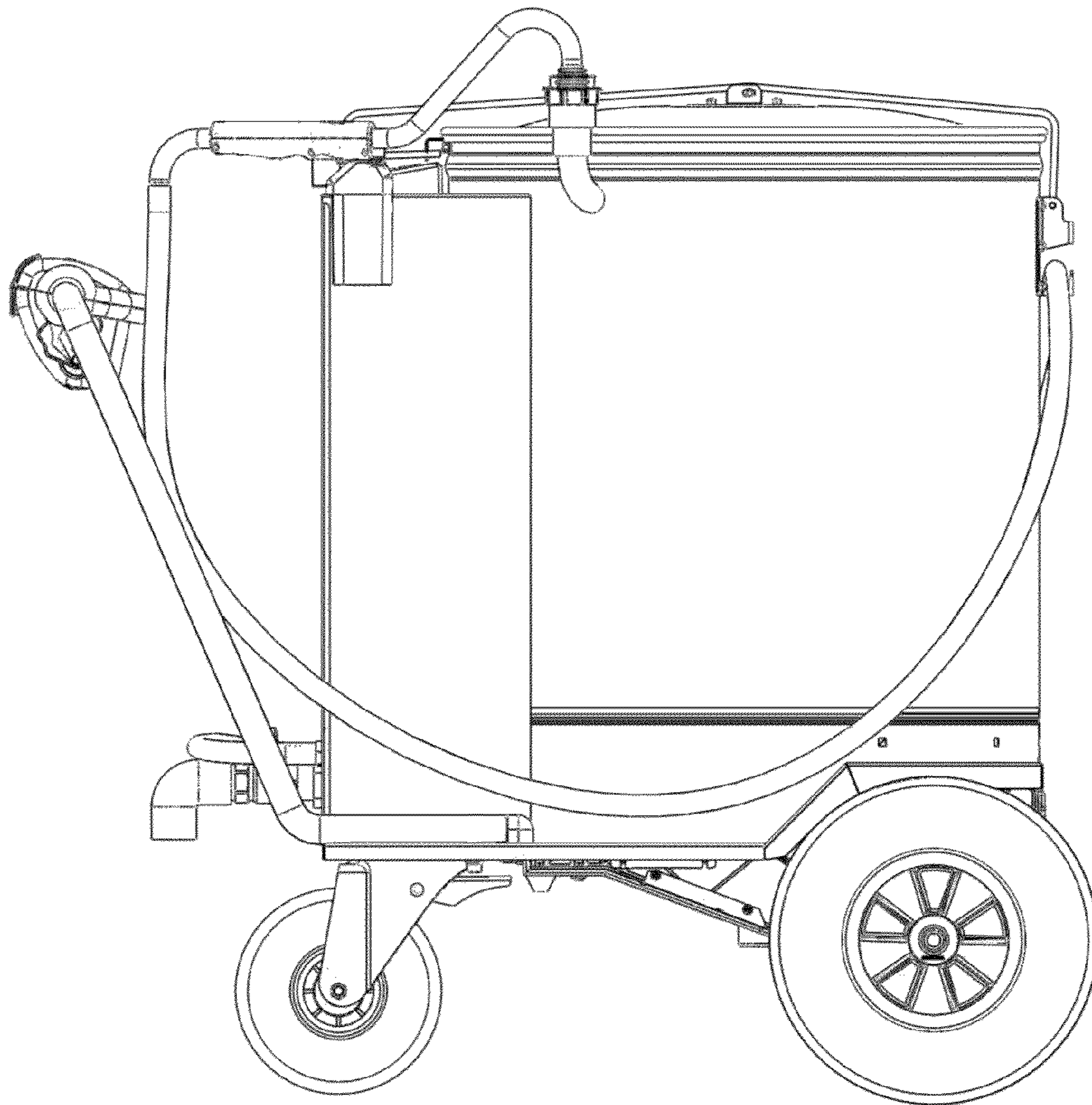


FIG. 5

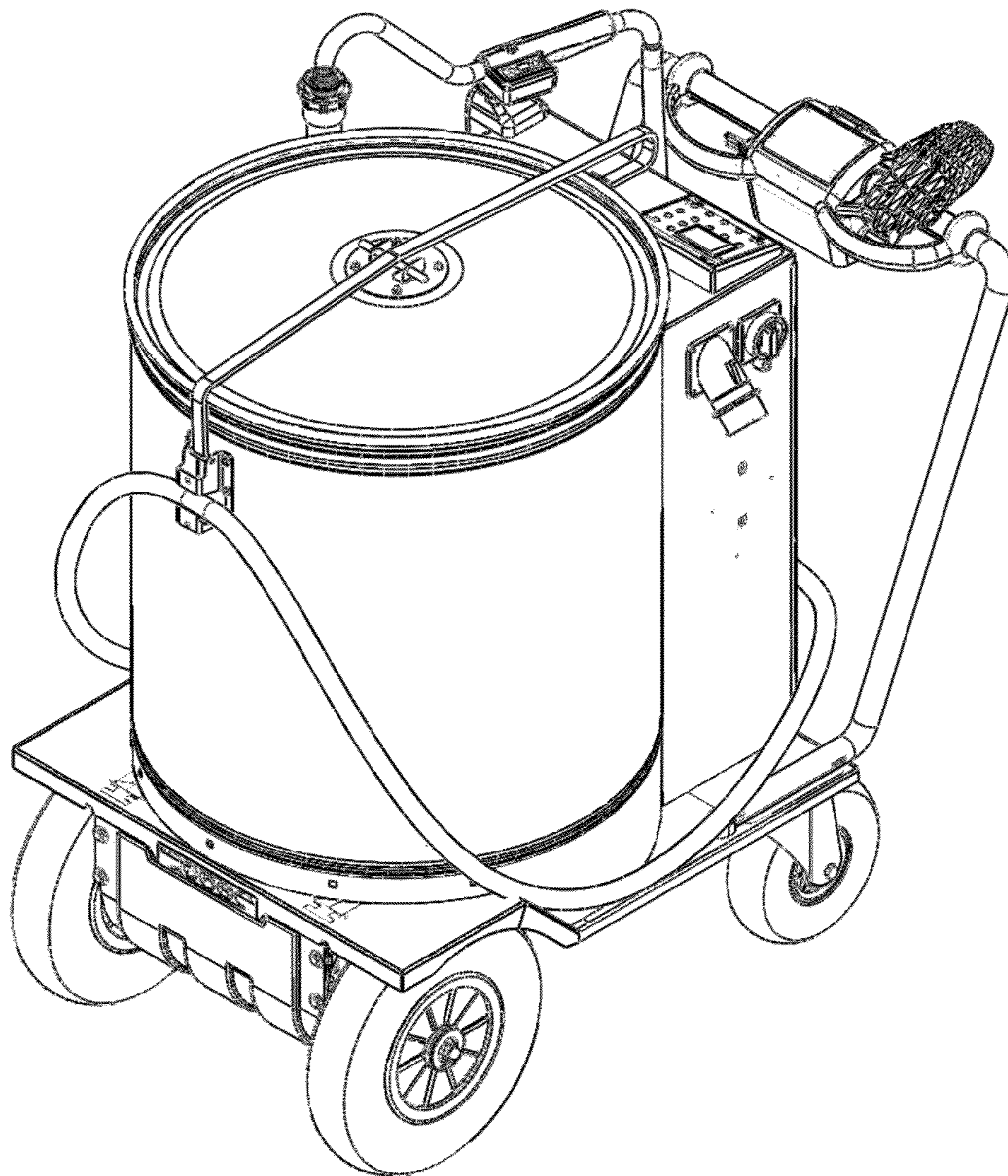


FIG. 6

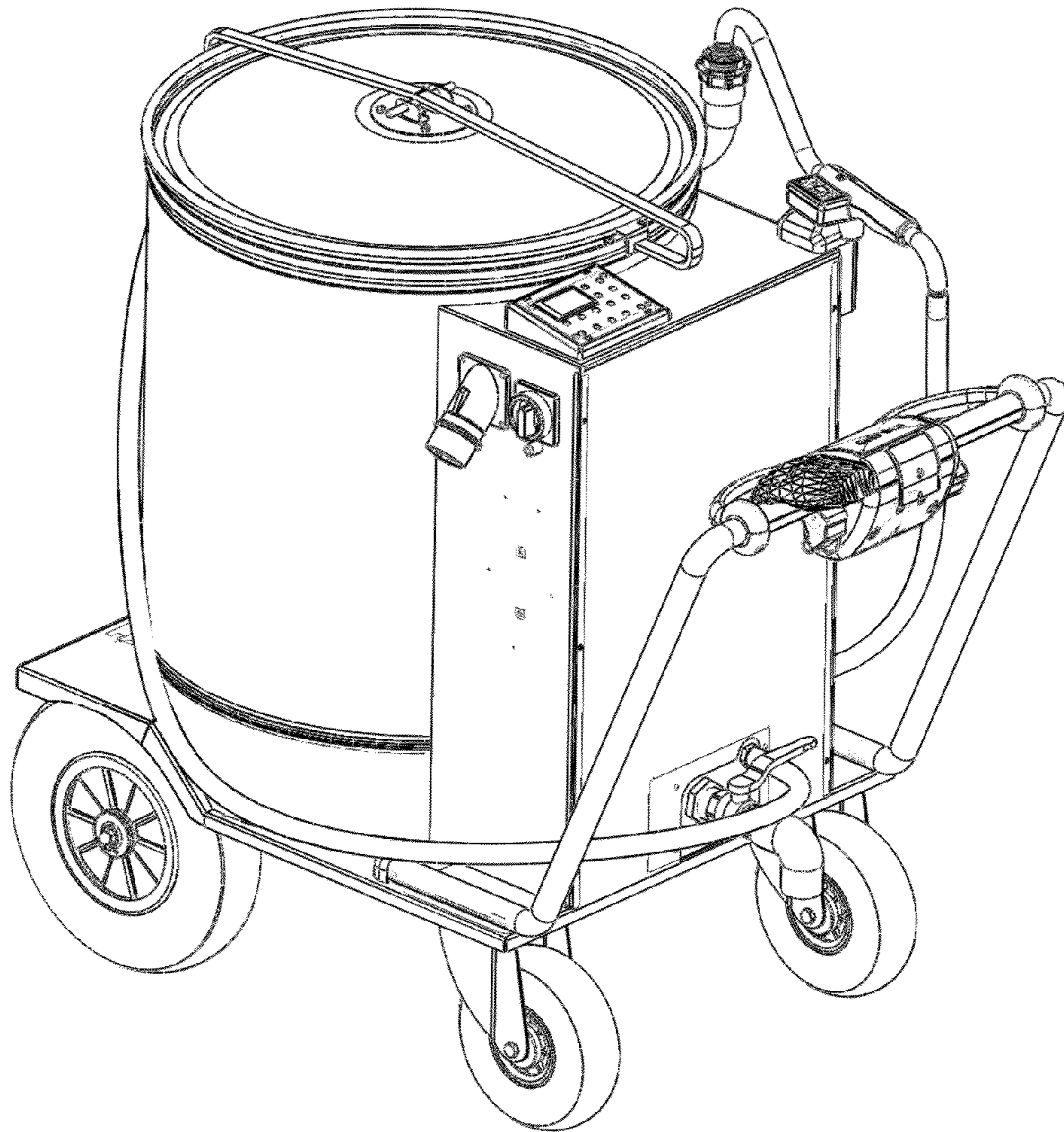


FIG. 7

