



US00D729985S

(12) **United States Design Patent**
Strawder

(10) **Patent No.:** **US D729,985 S**

(45) **Date of Patent:** **** May 19, 2015**

(54) **ROOF SAFETY DEVICE**

(71) Applicant: **Brian K. Strawder**, Carrollton, OH
(US)

(72) Inventor: **Brian K. Strawder**, Carrollton, OH
(US)

(73) Assignee: **Brian K. Strawder**, Carrollton, OH
(US)

(**) Term: **14 Years**

(21) Appl. No.: **29/481,741**

(22) Filed: **Feb. 10, 2014**

(51) **LOC (10) Cl.** **29-02**

(52) **U.S. Cl.**
USPC **D29/124**

(58) **Field of Classification Search**

CPC A62B 1/00; A62B 1/06; A62B 1/08;
A62B 1/10; A62B 1/12; A62B 1/18
USPC D29/124, 100, 101.1, 122; D34/28, 35;
D25/62, 66, 68; D8/356, 383, 349,
D8/353, 354; 182/3, 45; 248/228.3, 228.1,
248/227.3

See application file for complete search history.

(56) **References Cited**

U.S. PATENT DOCUMENTS

3,671,015 A * 6/1972 Sullivan 254/332
5,934,437 A * 8/1999 Anson et al. 193/15

7,000,730 B1 * 2/2006 Ostrobrod 182/36
2007/0272811 A1 * 11/2007 Baake 248/237
2011/0048851 A1 * 3/2011 Koneval 182/3
2015/0075903 A1 * 3/2015 Vetesnik 182/3

* cited by examiner

Primary Examiner — Michael A Pratt

(74) *Attorney, Agent, or Firm* — Dureska, Kennedy &
Moore, L.L.C.; Brent L. Moore

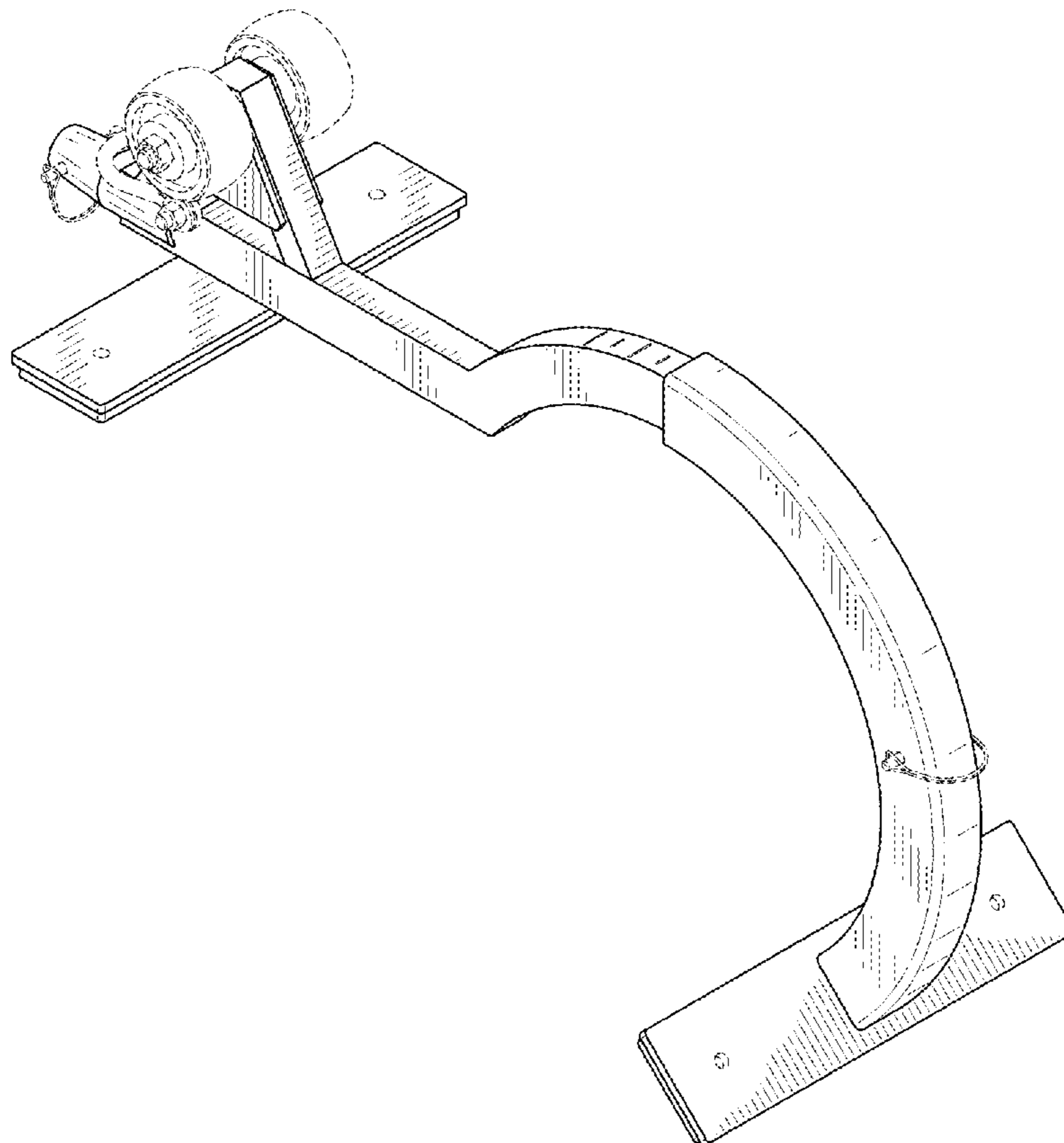
(57) **CLAIM**

The ornamental design for a roof safety device, as shown and described.

DESCRIPTION

FIG. 1 is a top front perspective view thereof;
FIG. 2 is a bottom rear perspective view thereof;
FIG. 3 is a side plan view thereof;
FIG. 4 is another side plan view thereof;
FIG. 5 is a top plan view thereof;
FIG. 6 is a bottom plan view thereof;
FIG. 7 is a rear plan view thereof;
FIG. 8 is a front plan view thereof;
FIG. 9 is a sectional view taken along 9-9 of FIG. 5; and,
FIG. 10 is another top front perspective view thereof.
The broken lines in the drawings are for illustrative purposes only and form no part of the claimed design.

1 Claim, 8 Drawing Sheets



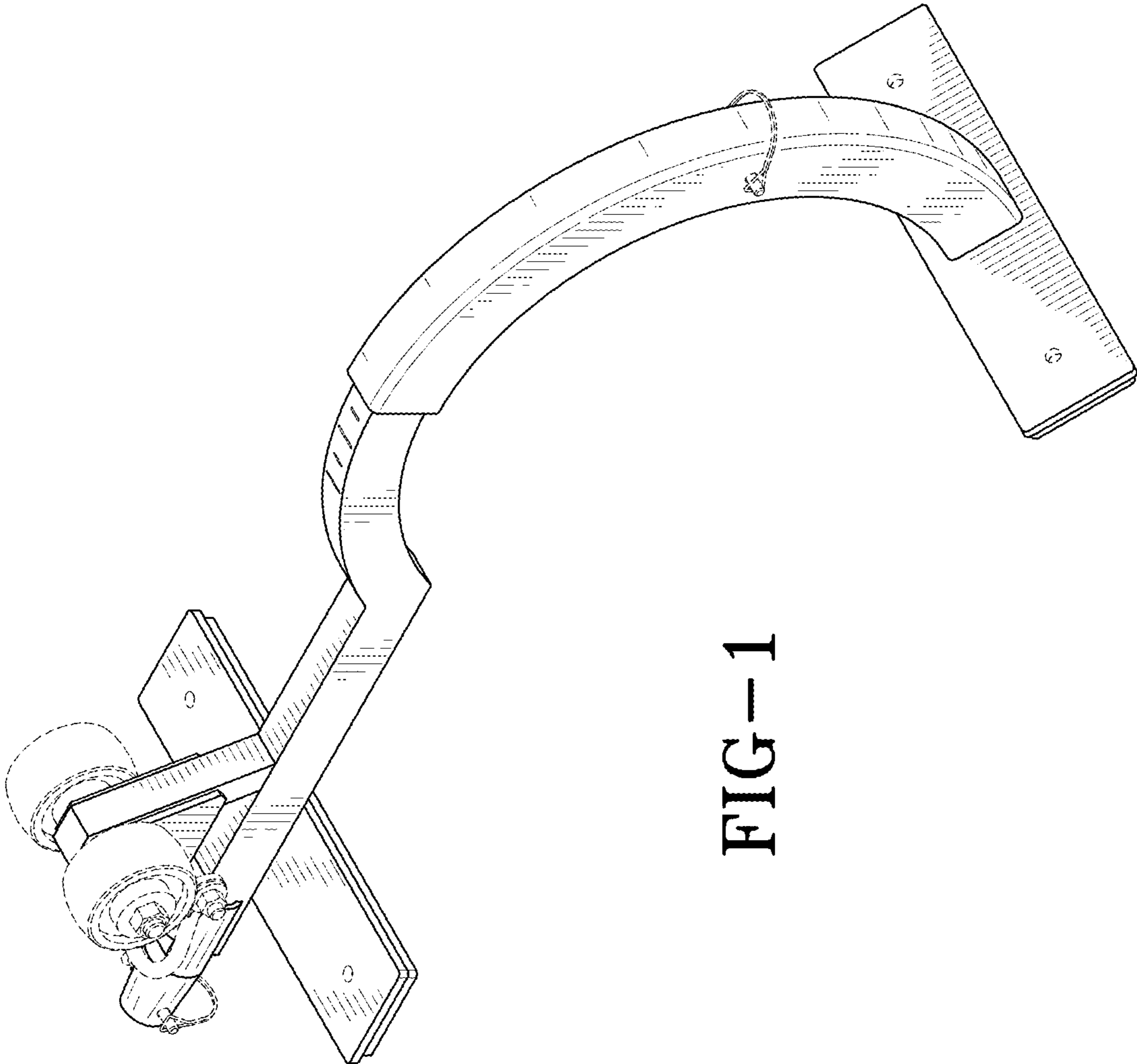


FIG-1

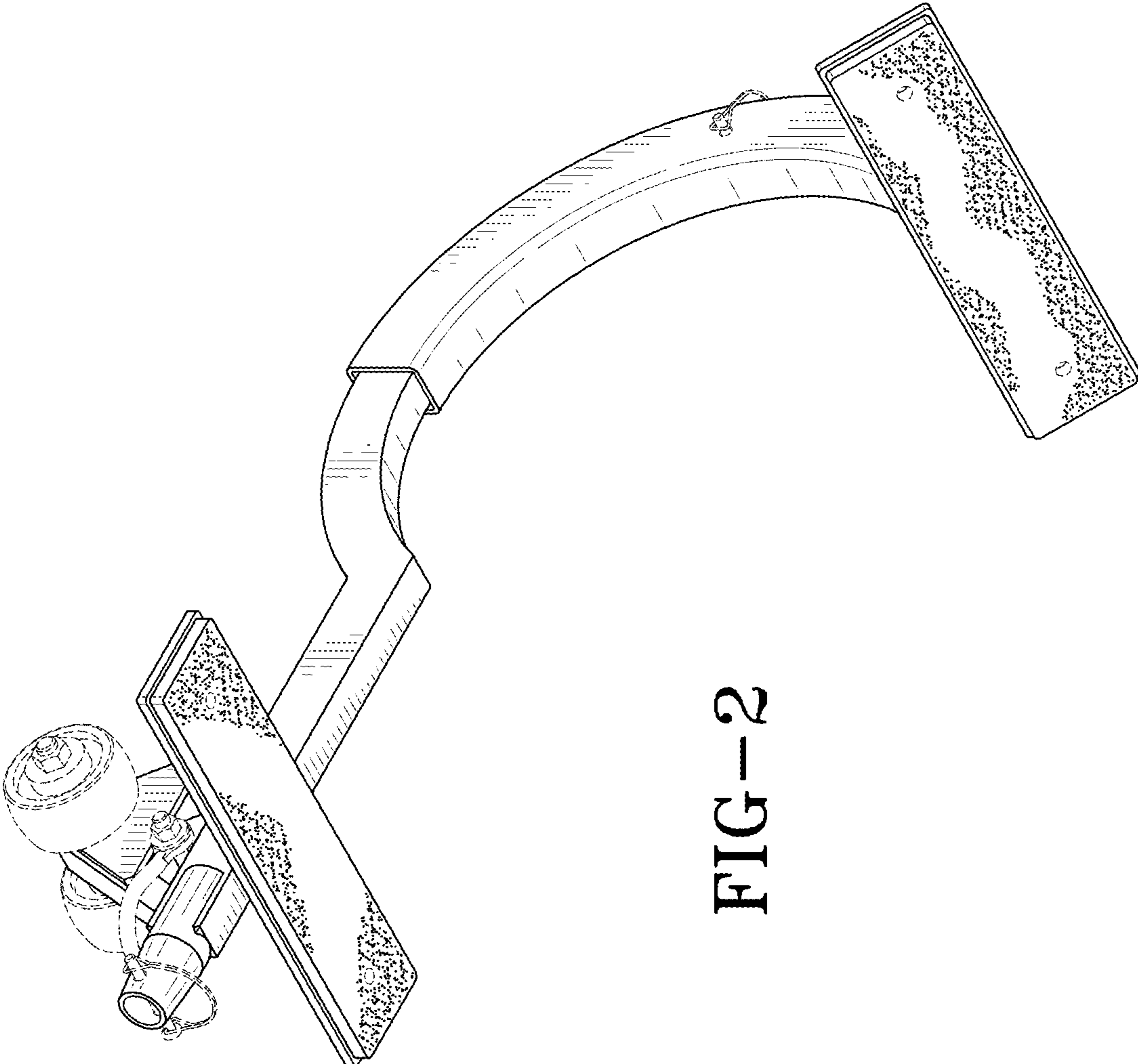


FIG-2

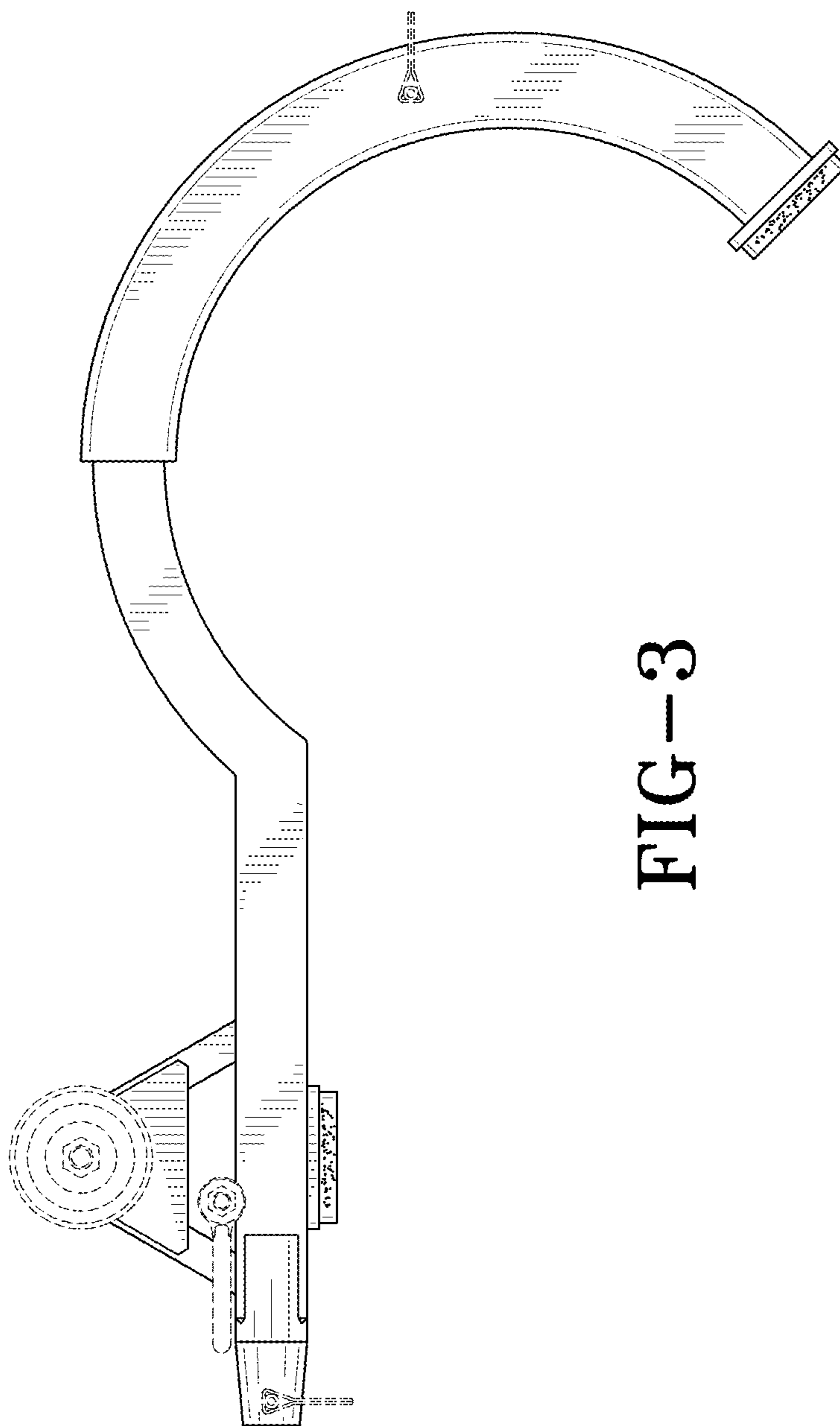


FIG-3

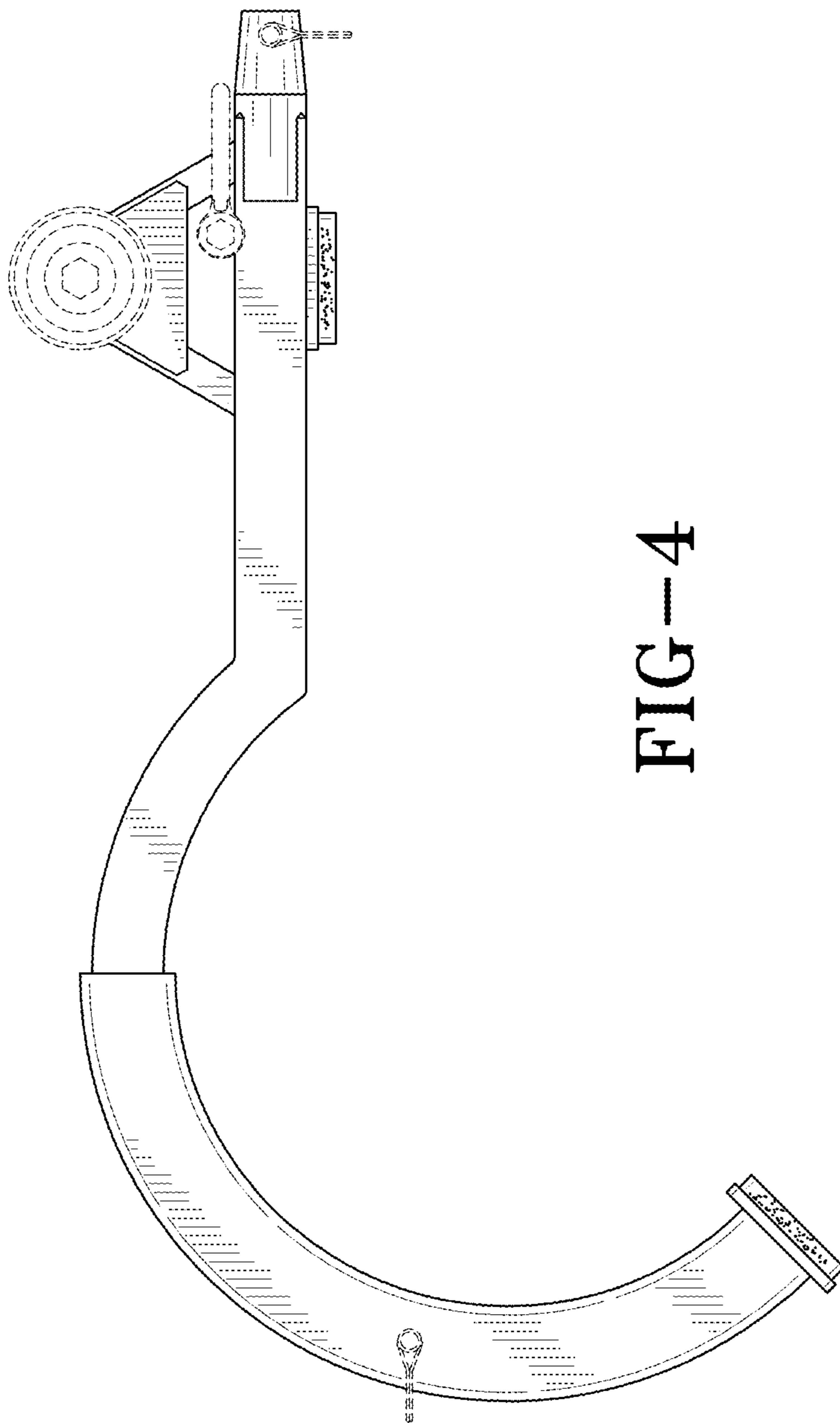


FIG--4

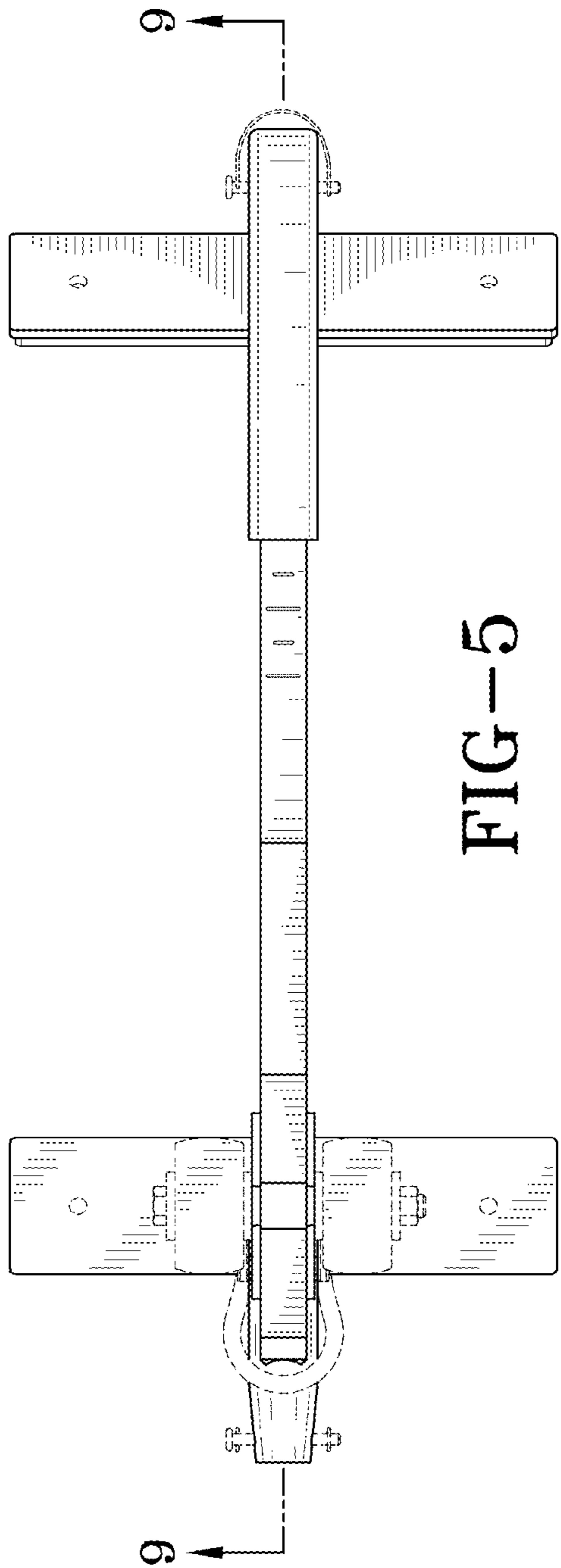


FIG-5

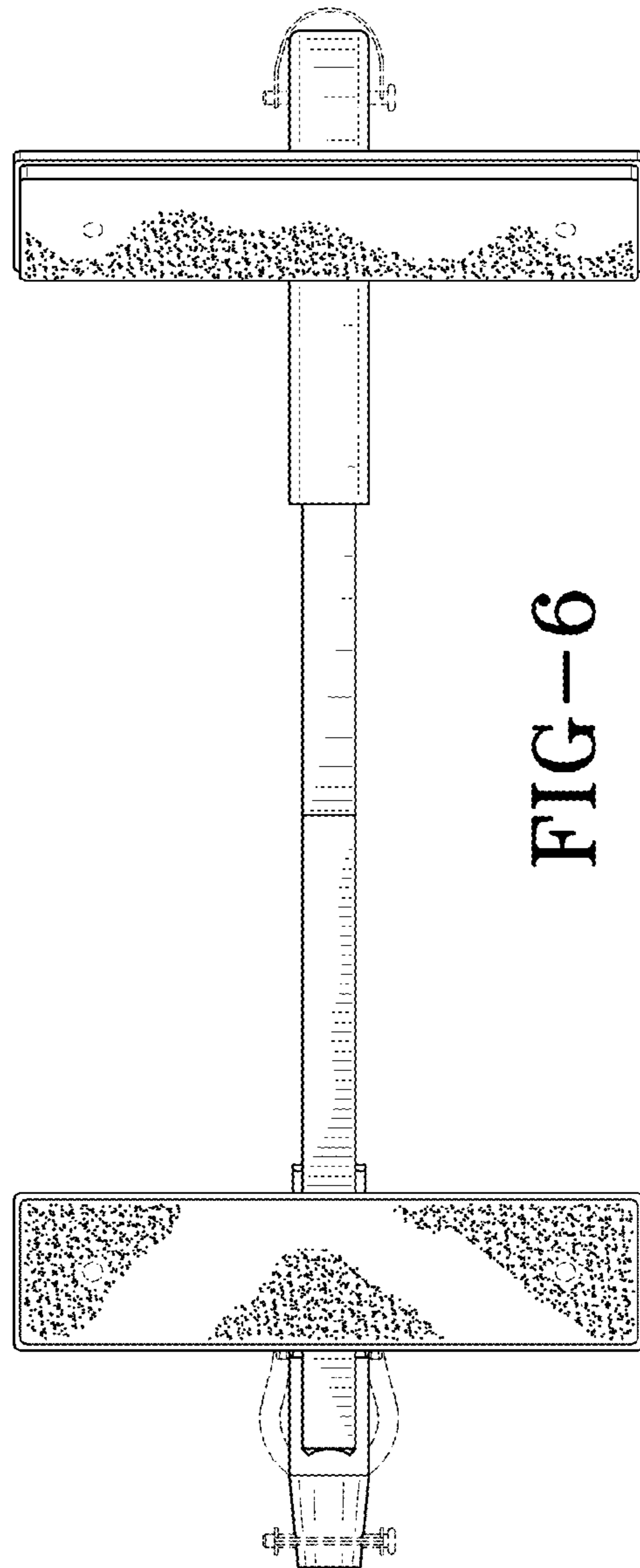


FIG-6

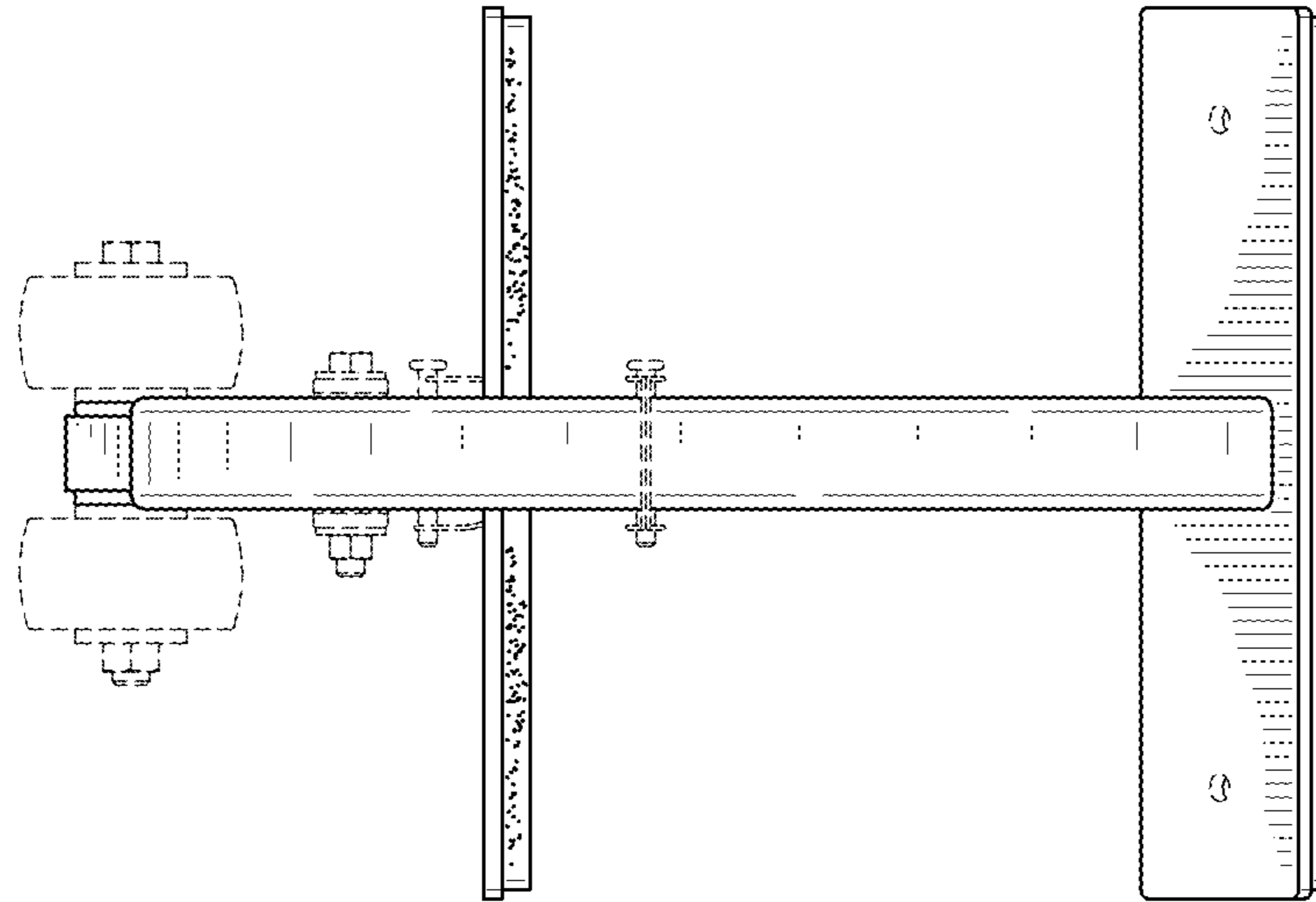


FIG-8

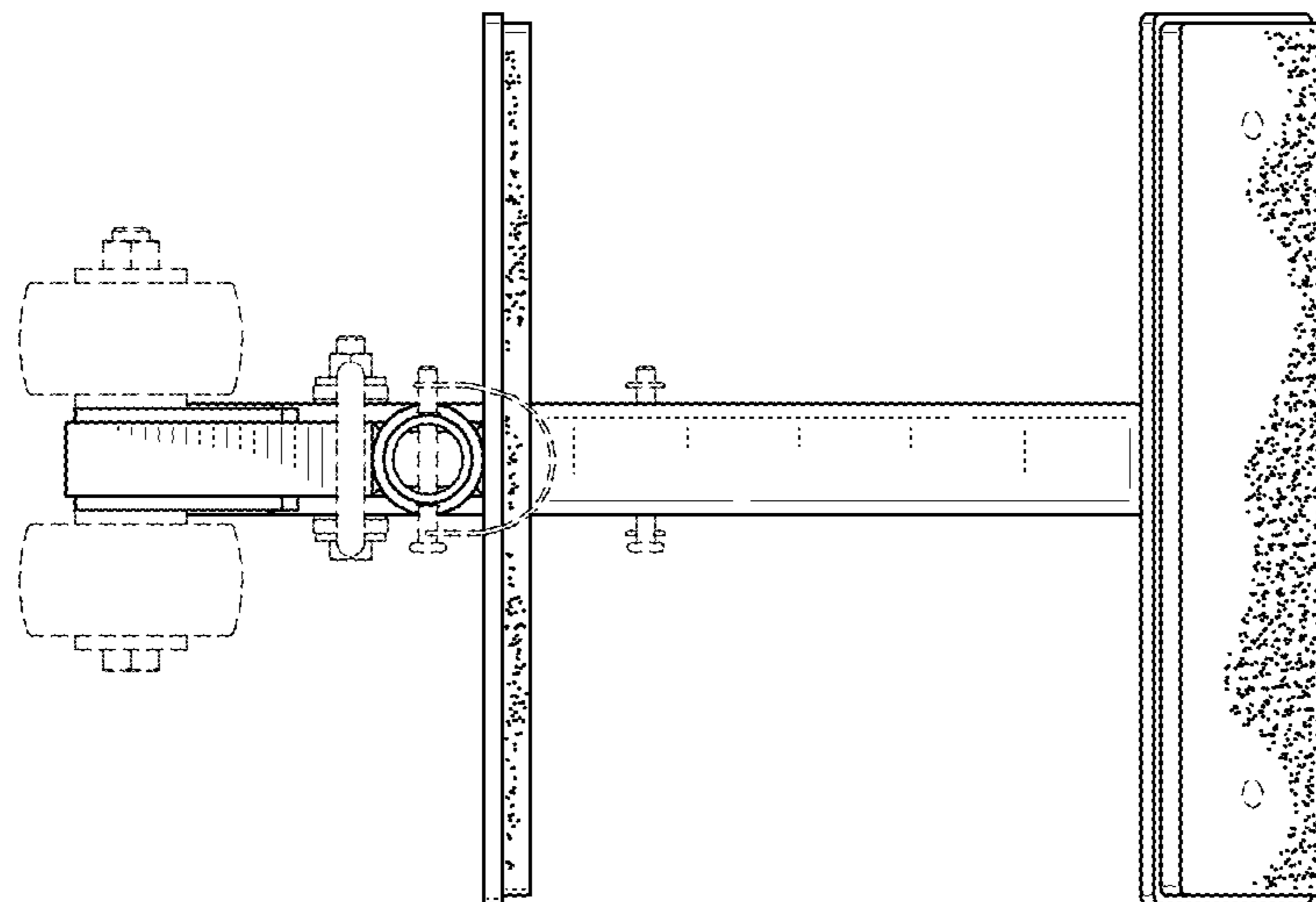


FIG-7

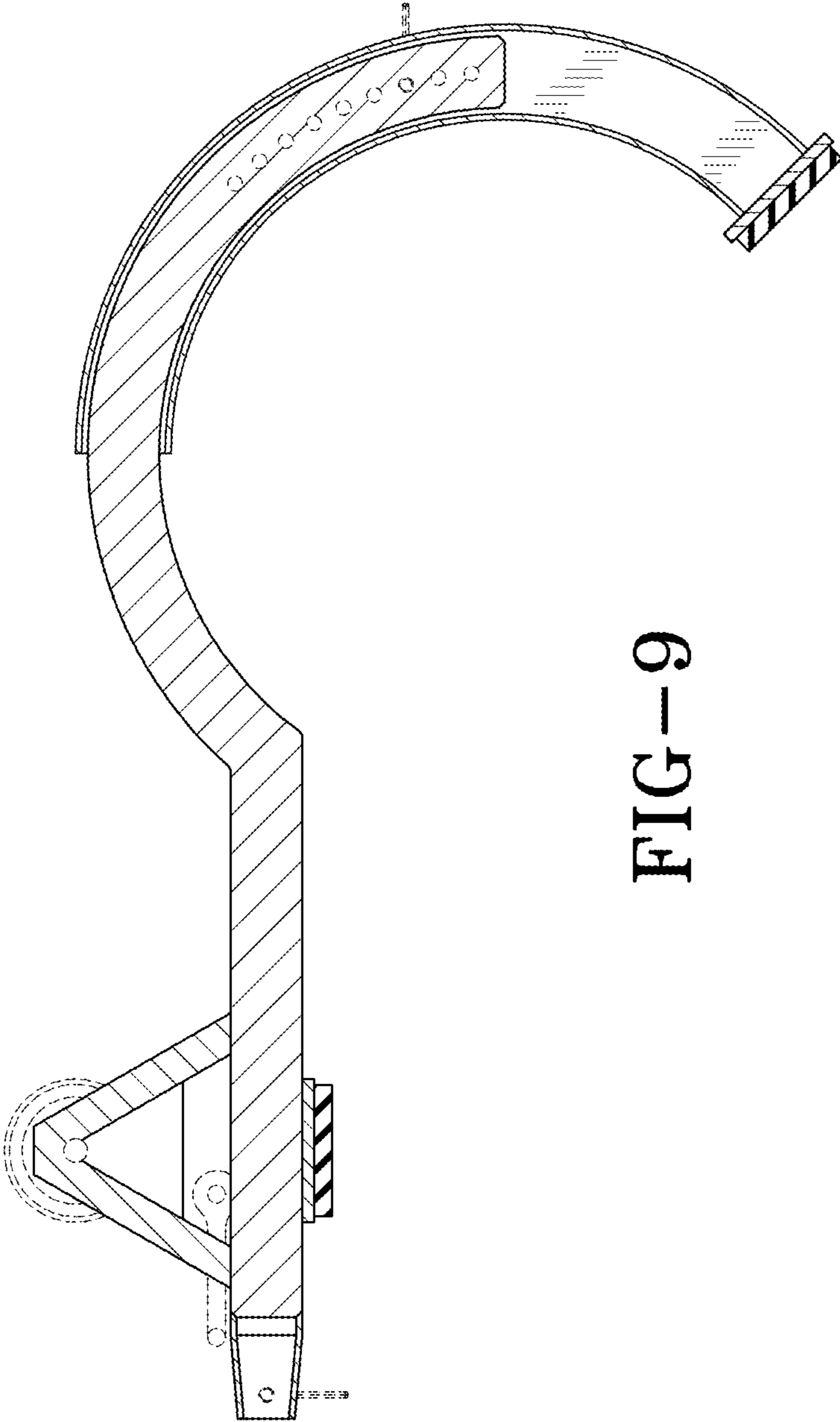


FIG-9

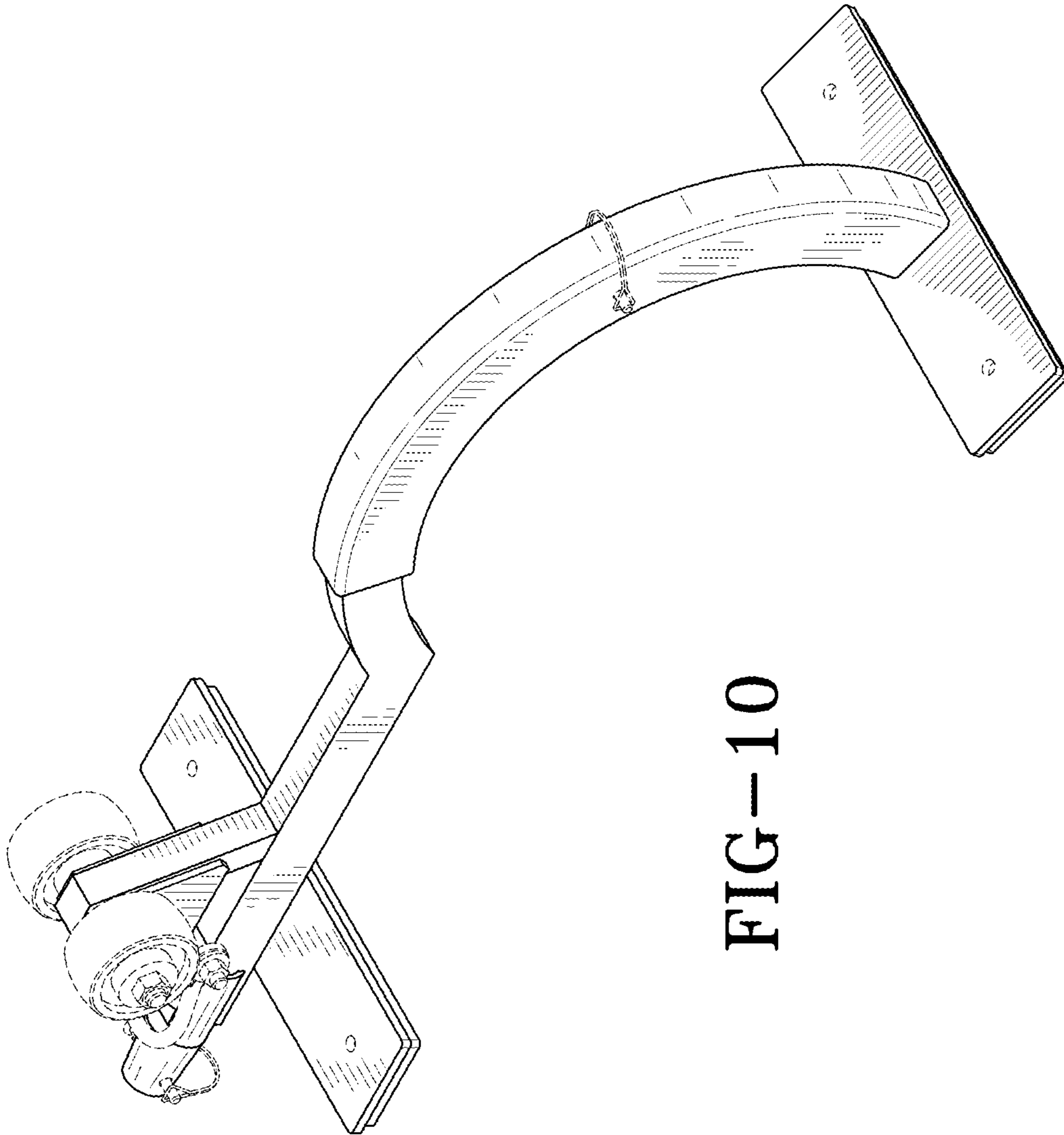


FIG-10