



US00D729983S

(12) **United States Design Patent**
Vito

(10) **Patent No.:** **US D729,983 S**

(45) **Date of Patent:** **** May 19, 2015**

- (54) **HELMET PADDING SYSTEM**
- (71) Applicant: **MATSCITECHNO LICENSING COMPANY**, Kennett Square, PA (US)
- (72) Inventor: **Robert A. Vito**, Kennett Square, PA (US)
- (73) Assignee: **Matscitechno Licensing Company**, Kennett Square, PA (US)
- (**) Term: **14 Years**

3,906,546 A	9/1975	Gooding
3,994,020 A	11/1976	Villari
4,282,610 A	8/1981	Steigerwald et al.
4,375,108 A	3/1983	Gooding
4,596,056 A	6/1986	Grick
4,627,114 A	12/1986	Mitchell
5,014,365 A	5/1991	Schulz
5,035,009 A	7/1991	Wingo, Jr. et al.
5,271,103 A	12/1993	Darnell
5,337,420 A *	8/1994	Haysom et al. 2/410
D364,496 S *	11/1995	Lejuez D2/892
5,625,901 A *	5/1997	Healy 2/182.2
5,915,537 A *	6/1999	Dallas et al. 2/410
5,996,126 A	12/1999	Barthold et al.

(21) Appl. No.: **29/449,389**

(22) Filed: **Mar. 15, 2013**

Related U.S. Application Data

- (63) Continuation-in-part of application No. 13/740,443, filed on Jan. 14, 2013.
- (51) **LOC (10) Cl.** **29-02**
- (52) **U.S. Cl.**
USPC **D29/122**
- (58) **Field of Classification Search**
CPC A42B 3/00
USPC D29/102-107, 122; 2/5, 6.1, 6.3, 6.7, 2/41-412, 414, 422-425, 9, 10; D2/869, D2/870, 872, 882, 884, 891
See application file for complete search history.

(56) **References Cited**

U.S. PATENT DOCUMENTS

1,602,727 A	10/1926	Turner
2,420,522 A *	5/1947	Daly 156/211
2,969,547 A	1/1961	Dye
3,153,792 A	10/1964	Marietta
3,500,473 A	3/1970	Marchello
3,577,562 A	5/1971	Holt
3,609,764 A *	10/1971	Morgan 2/414
3,845,389 A *	10/1974	Phillips et al. 455/90.3

(Continued)

OTHER PUBLICATIONS

Notice of Allowance issued in U.S. Appl. No. 29/448,874 mailed Sep. 16, 2014.

(Continued)

Primary Examiner — Randall Gholson
(74) *Attorney, Agent, or Firm* — RatnerPrestia

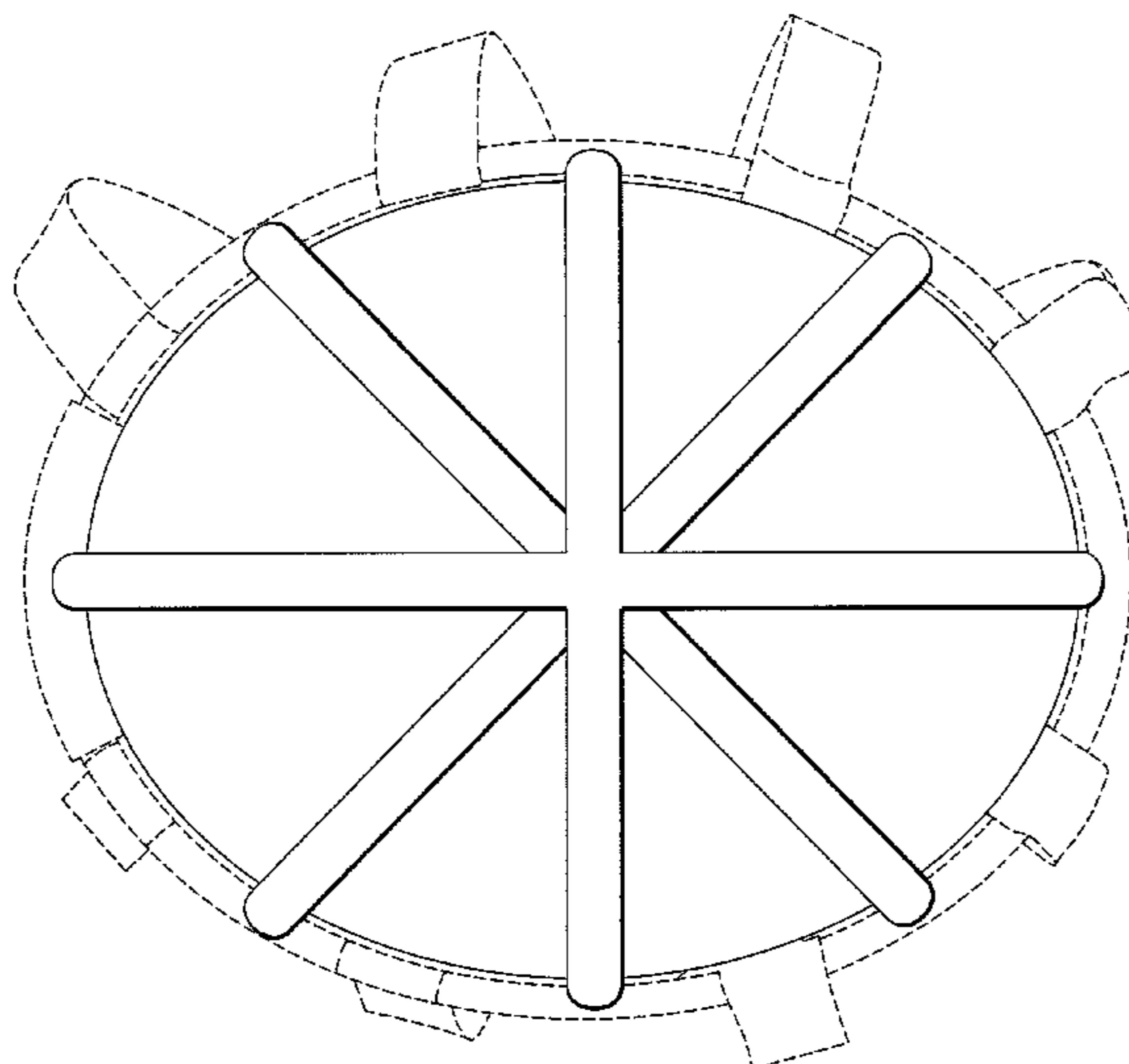
(57) **CLAIM**

The ornamental design for a helmet padding system, as shown and described.

DESCRIPTION

FIG. 1 is a top side perspective view of my new design for a helmet padding system;
FIG. 2 is a bottom side perspective view thereof;
FIG. 3 is a left side perspective view thereof;
FIG. 4 is a right side perspective view thereof;
FIG. 5 is a front side perspective view thereof; and,
FIG. 6 is a rear side perspective view thereof.
The broken lines shown in the drawings depict portions of the helmet padding system that form no part of the claimed design.

1 Claim, 6 Drawing Sheets



(56)

References Cited

U.S. PATENT DOCUMENTS

6,081,929 A * 7/2000 Rothrock et al. 2/171.3
 D431,329 S 9/2000 Chen
 6,389,607 B1 5/2002 Wood
 6,519,781 B1 2/2003 Berns
 6,694,529 B1 2/2004 Chiu
 D577,866 S 9/2008 Frye et al.
 D592,380 S * 5/2009 McLaughlin D2/869
 D604,461 S * 11/2009 Goldman et al. D29/122
 D612,545 S 3/2010 Pliszka
 D617,503 S 6/2010 Szalkowski et al.
 D637,356 S 5/2011 Green et al.
 7,958,573 B2 6/2011 Lewis, Jr. et al.
 8,001,624 B1 8/2011 Leedom
 8,196,226 B1 * 6/2012 Schuh 2/412
 D663,076 S 7/2012 Parsons et al.
 D663,901 S * 7/2012 Vito D29/122
 D666,779 S 9/2012 Harris
 D667,592 S * 9/2012 Vito D29/122
 D670,868 S 11/2012 Harris

D670,869 S 11/2012 Harris
 D670,870 S 11/2012 Harris
 2002/0000004 A1 1/2002 Wise et al.
 2005/0268383 A1 12/2005 Harris
 2007/0163031 A1 7/2007 Lewis, Jr. et al.
 2009/0222964 A1 9/2009 Wiles
 2010/0306904 A1 12/2010 Neid
 2011/0302700 A1 12/2011 Vito et al.
 2012/0036620 A1 2/2012 Harris

OTHER PUBLICATIONS

International Search Report and Written Opinion for PCT/US2013/058399 mailed Dec. 30, 2013.
 Notice of Allowance issued in U.S. Appl. No. 29/448,876 dated May 27, 2014.
 USPTO Non-Final Office Action issued in U.S. Appl. No. 13/803,539 mailed Feb. 20, 2015.
 USPTO Notice of Allowance issued in U.S. Appl. No. 29/449,385 mailed Feb. 12, 2015.

* cited by examiner

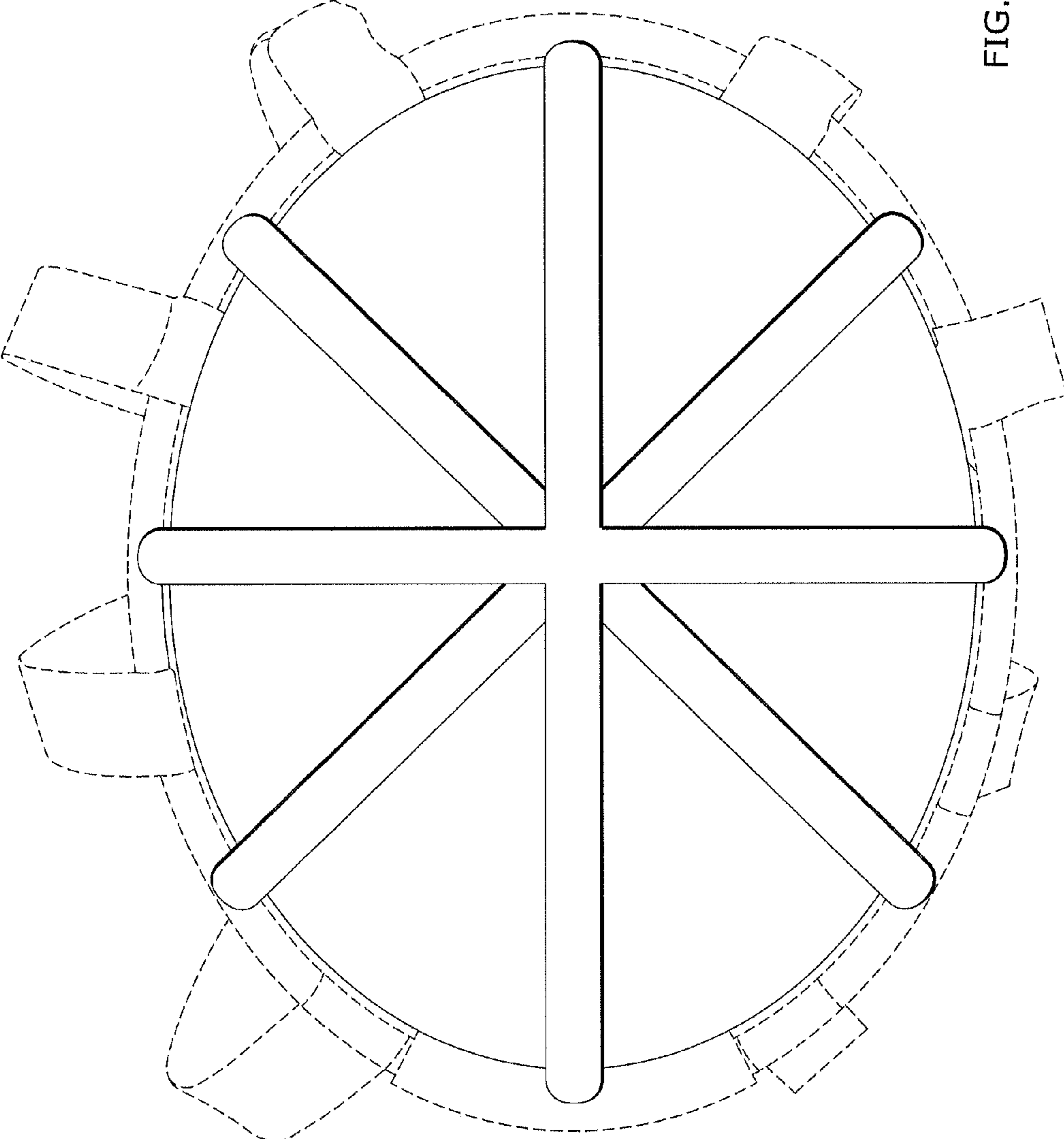


FIG. 1

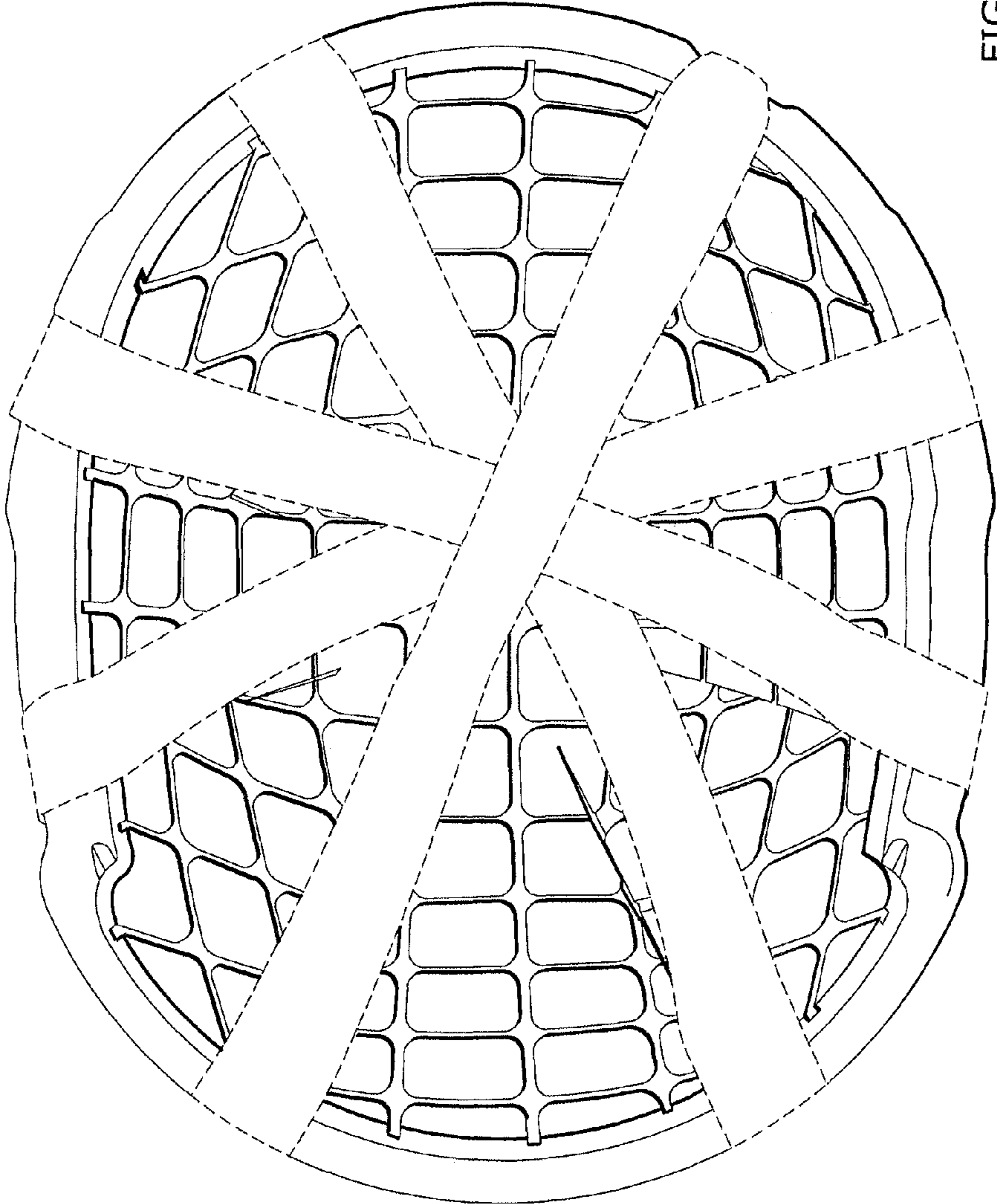


FIG. 2

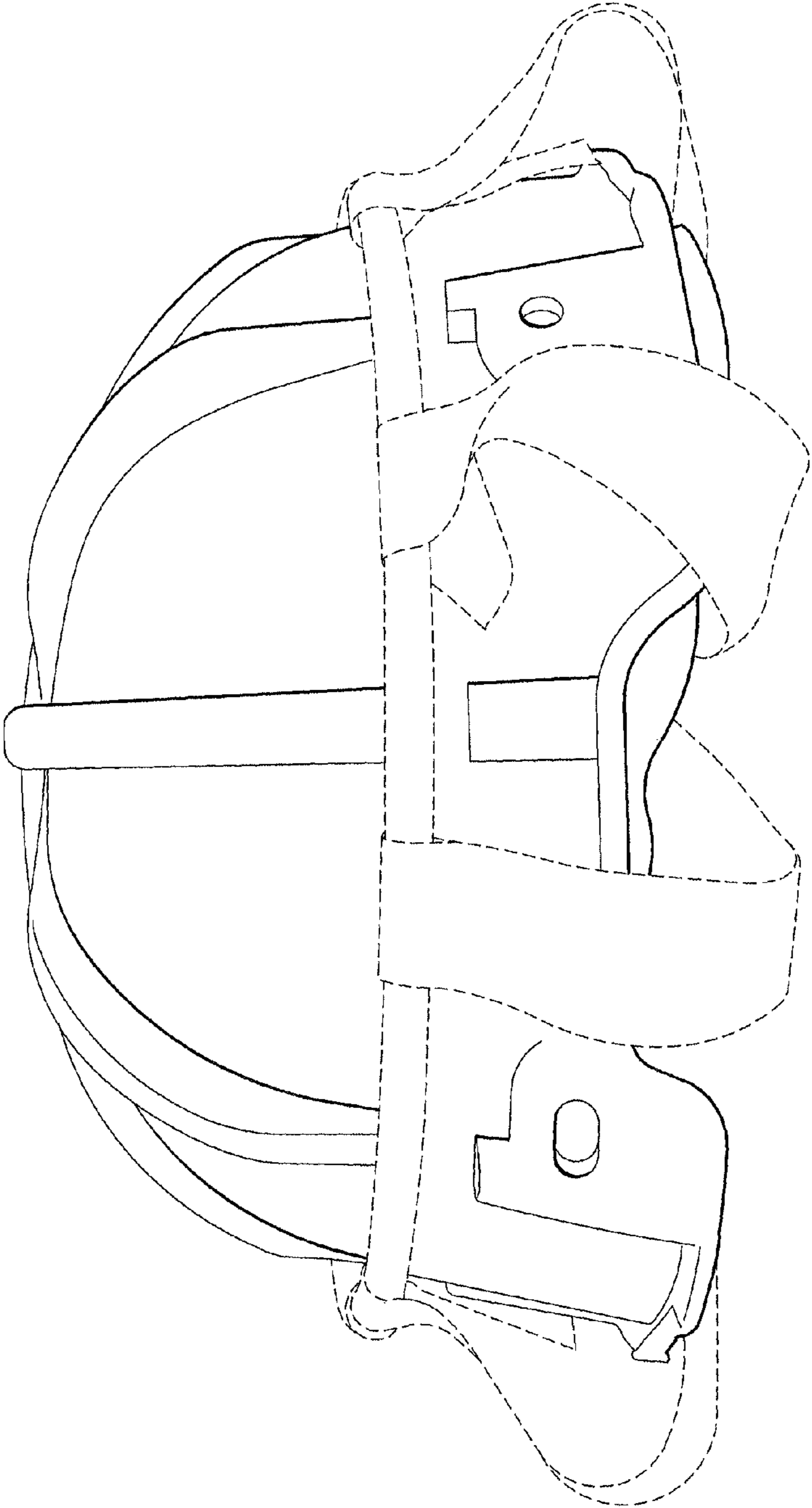


FIG. 3

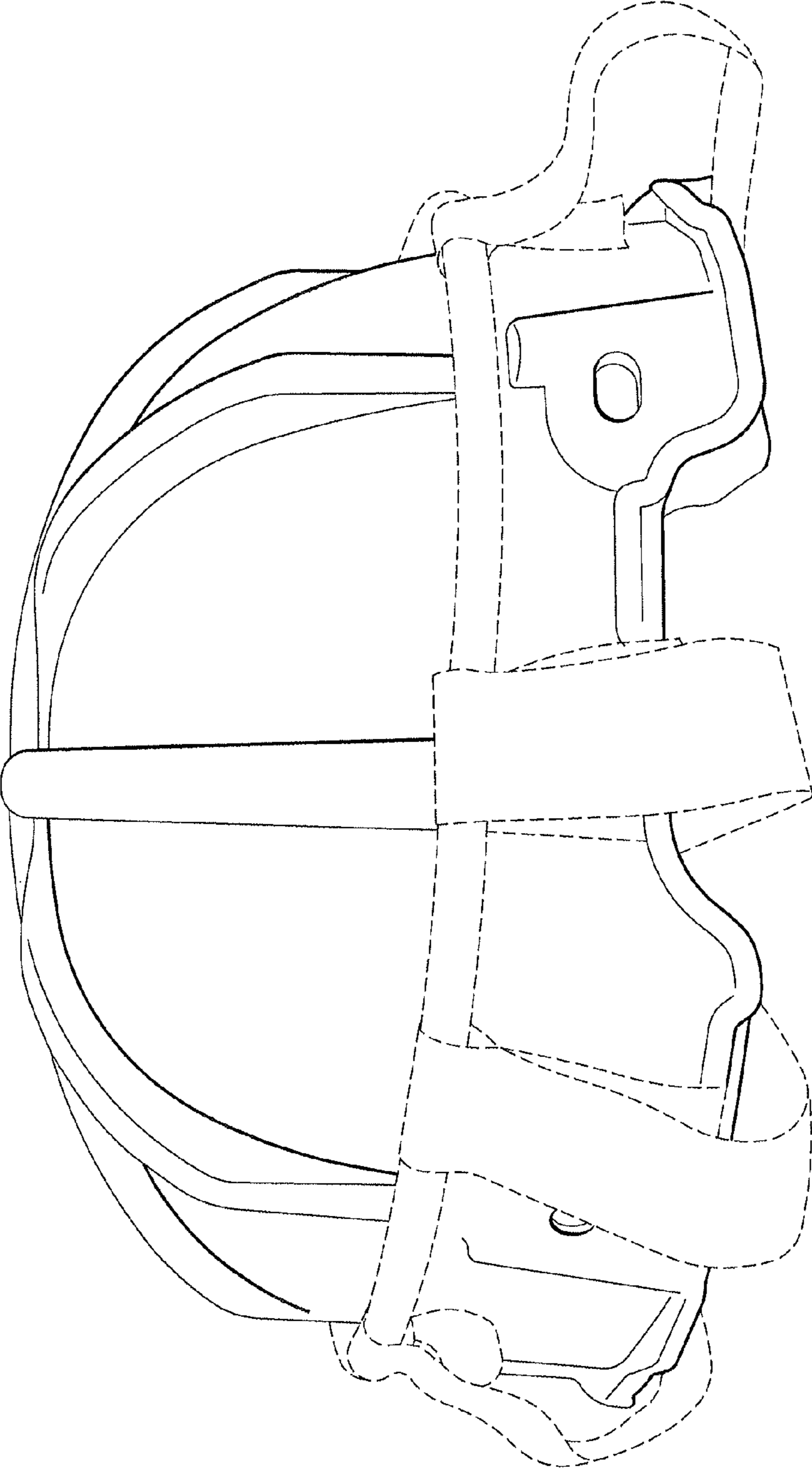


FIG. 4

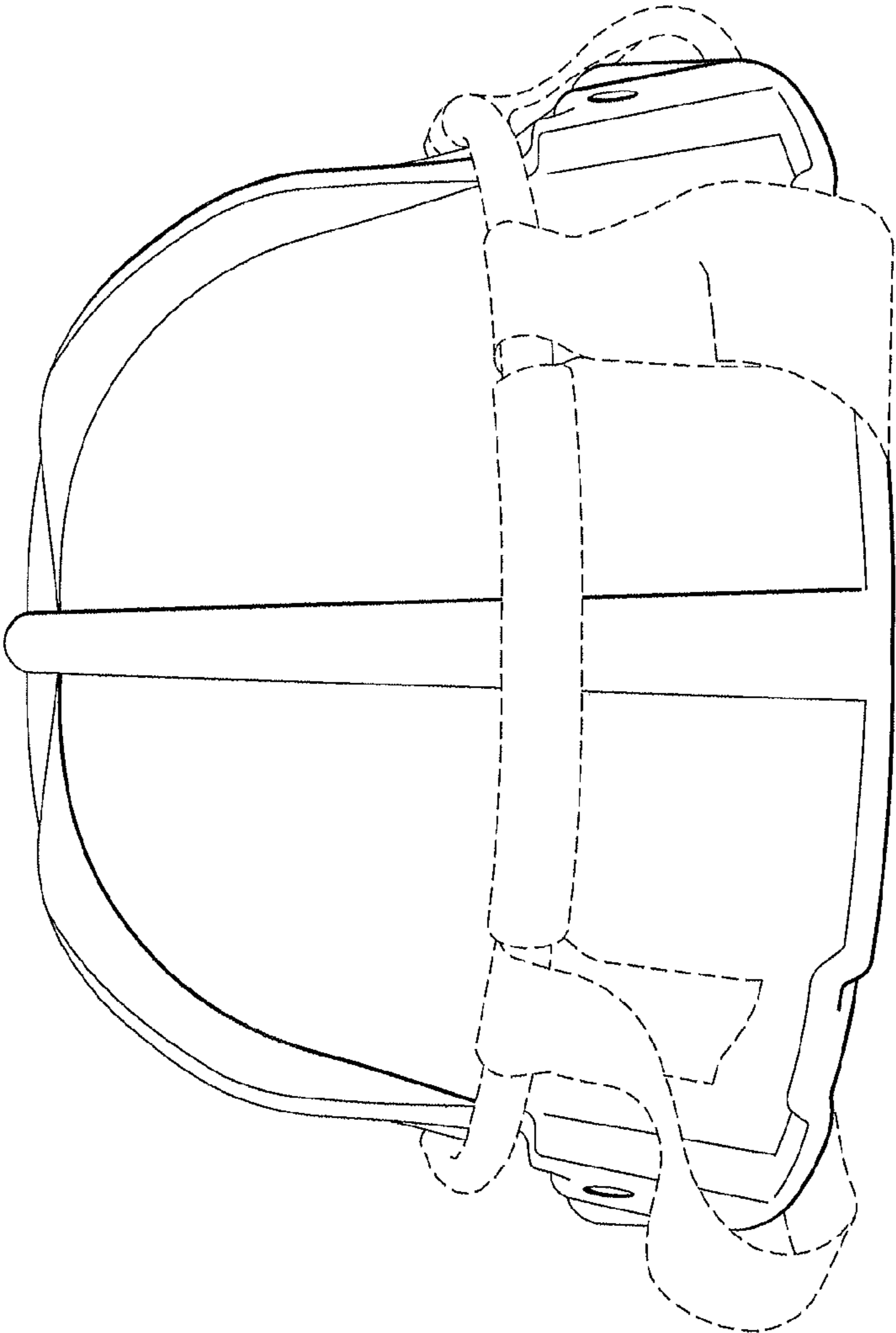


FIG. 5

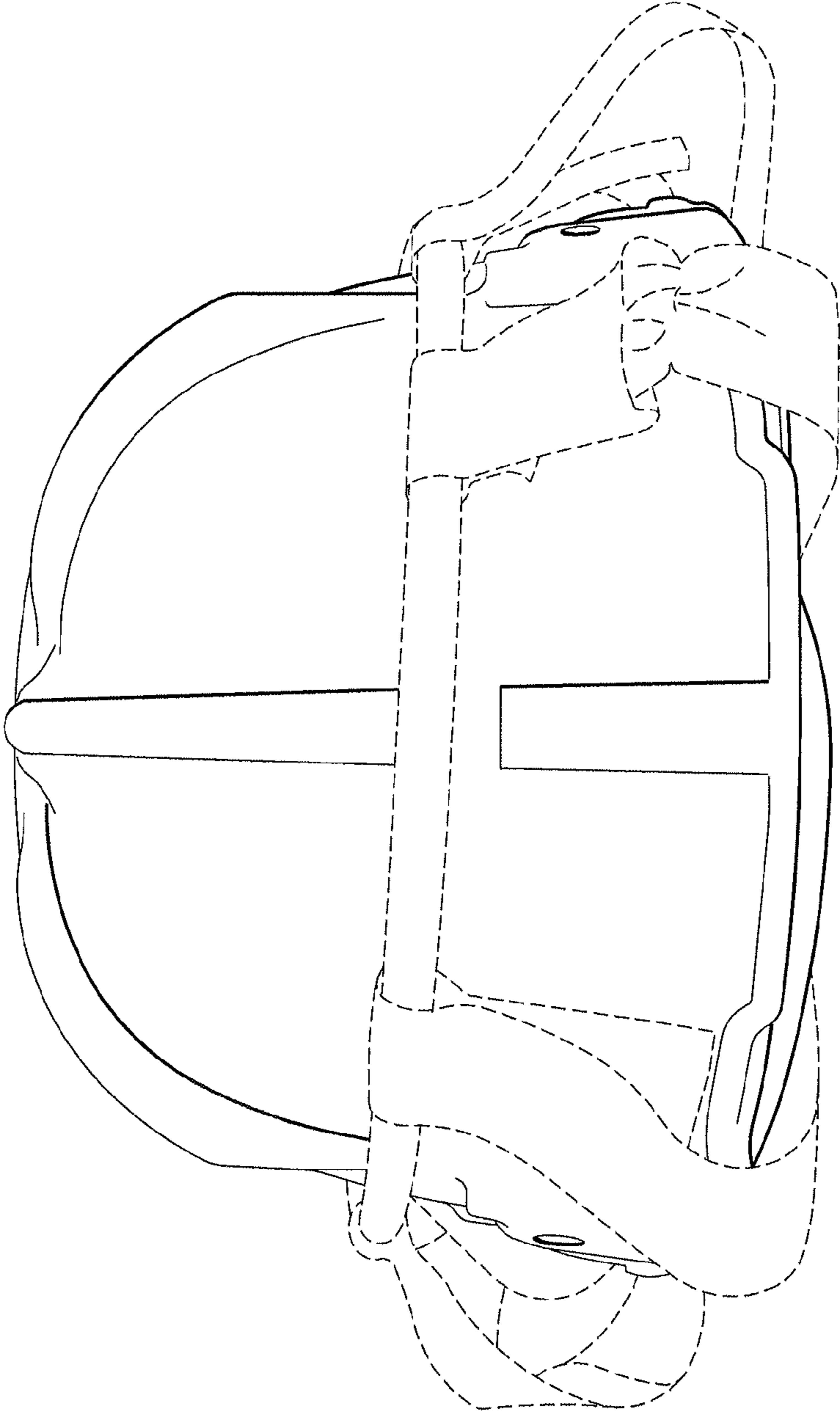


FIG. 6

UNITED STATES PATENT AND TRADEMARK OFFICE
CERTIFICATE OF CORRECTION

PATENT NO. : D729,983 S
APPLICATION NO. : 29/449389
DATED : May 19, 2015
INVENTOR(S) : Robert A. Vito

Page 1 of 1

It is certified that error appears in the above-identified patent and that said Letters Patent is hereby corrected as shown below:

On the Title Page, Item (63) Related U.S. Application Data insert -- which claims benefit of 61/699,944 09/12/2012 and claims benefit of 61/706,922 09/28/2012 --

Signed and Sealed this
Twenty-ninth Day of September, 2015



Michelle K. Lee
Director of the United States Patent and Trademark Office