



US00D729980S

(12) **United States Design Patent**
Carey

(10) **Patent No.:** **US D729,980 S**
(45) **Date of Patent:** **** May 19, 2015**

(54) **FOUR FINGER HAIR CLIP**

DESCRIPTION

- (71) Applicant: **Bojana Carey**, Elmhurst, IL (US)
- (72) Inventor: **Bojana Carey**, Elmhurst, IL (US)
- (**) Term: **14 Years**
- (21) Appl. No.: **29/507,643**
- (22) Filed: **Oct. 29, 2014**
- (51) **LOC (10) Cl.** **28-03**
- (52) **U.S. Cl.**
USPC **D28/42**
- (58) **Field of Classification Search**
CPC A45D 8/02; A45D 8/20; A45D 8/24
USPC D28/21-34, 39-43; 132/101, 126,
132/128-131, 144, 148, 219, 275-284
See application file for complete search history.

(56) **References Cited**

U.S. PATENT DOCUMENTS

5,494,060	A *	2/1996	Potut	132/277
D381,119	S *	7/1997	Chang	D28/40
5,873,377	A *	2/1999	Yang	132/277
D414,583	S *	9/1999	Yasuda	D28/40
D434,526	S *	11/2000	Weaver	D28/40
D438,676	S *	3/2001	Sartena	D28/92
D473,014	S *	4/2003	Shyu	D28/40
D483,523	S *	12/2003	Jones	D28/40
D536,132	S *	1/2007	Vergona	D28/40
D540,983	S *	4/2007	Vergona	D28/40

* cited by examiner

Primary Examiner — Zenia Bennett

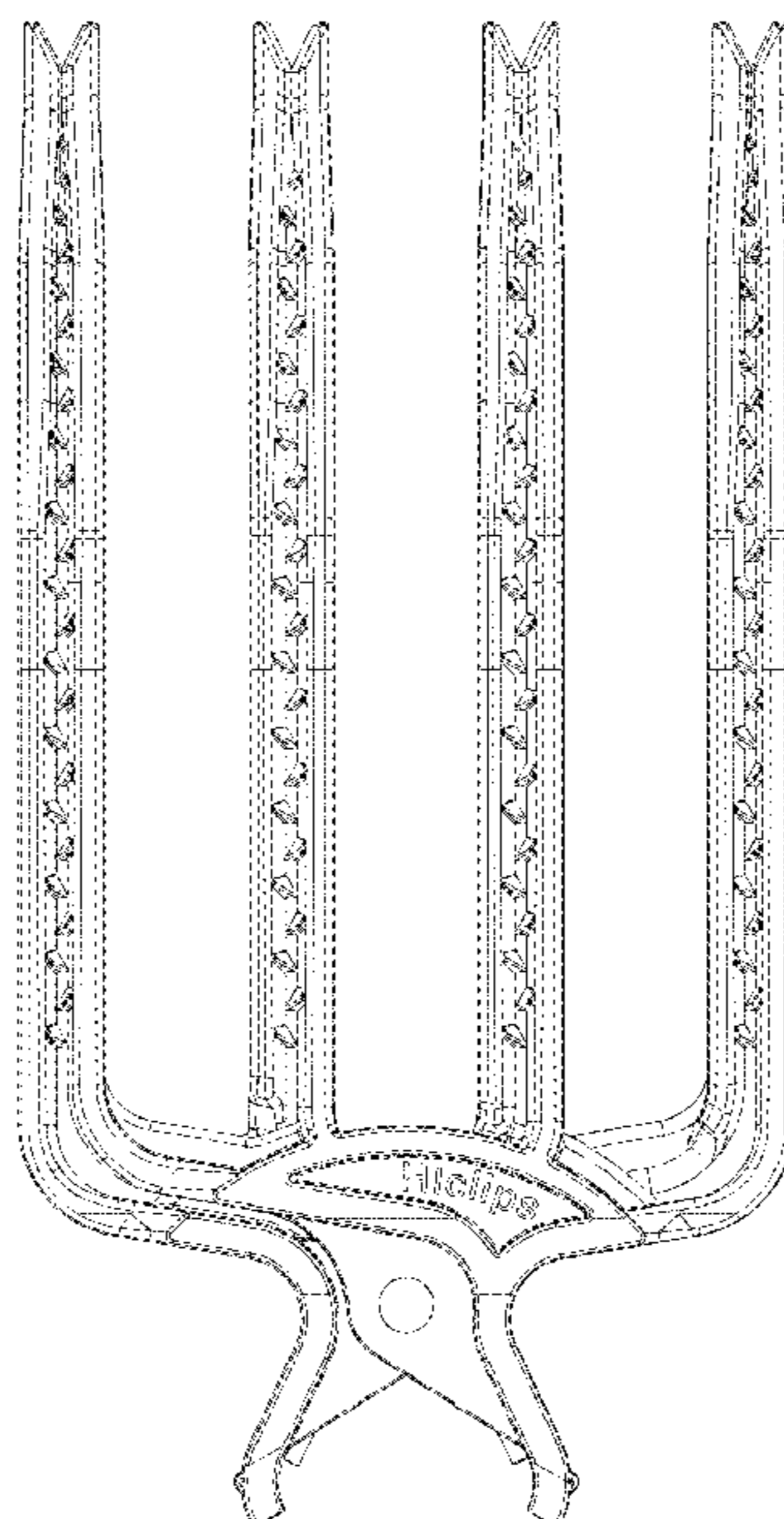
(74) *Attorney, Agent, or Firm* — Andrew Alia, Esq.

(57) **CLAIM**

The ornamental design for a four finger hair clip, as shown and described.

FIG. 1 is a rear perspective view of the four finger hair clip showing my new design;
 FIG. 2 is a front elevation view of the four finger hair clip;
 FIG. 3 is a bottom plan view of the four finger hair clip;
 FIG. 4 is an exploded view showing the two clipping element, the torsion spring and the pin separately for convenience of illustration;
 FIG. 5 is a front perspective view of the four finger hair clip;
 FIG. 6 is another front perspective view of the four finger hair clip in an open configuration;
 FIG. 7 is a left elevation view of the left clipping element in FIG. 4 shown separately for convenience of illustration;
 FIG. 8 is a right elevation view of the left clipping element of FIG. 4 shown separately for convenience of illustration;
 FIG. 9 is a left elevation view of the right clipping element of FIG. 4 shown separately for convenience of illustration;
 FIG. 10 is a right side perspective view of the right clipping element of FIG. 4 shown separately for convenience of illustration;
 FIG. 11 is a rear bottom perspective view of the four finger hair clip;
 FIG. 12 is a bottom plan view of the four finger hair clip in an open configuration;
 FIG. 13 is a top plan view of the four finger hair clip in a closed configuration;
 FIG. 14 is a top perspective view of the four finger hair clip in an open configuration;
 FIG. 15 is a front bottom perspective side view of the four finger hair clip in an open configuration; and,
 FIG. 16 is another perspective view of the four finger hair clip shown in use; the broken lines depicting environmental structures are for illustrative purposes only and do not form part of the claimed design.

1 Claim, 14 Drawing Sheets



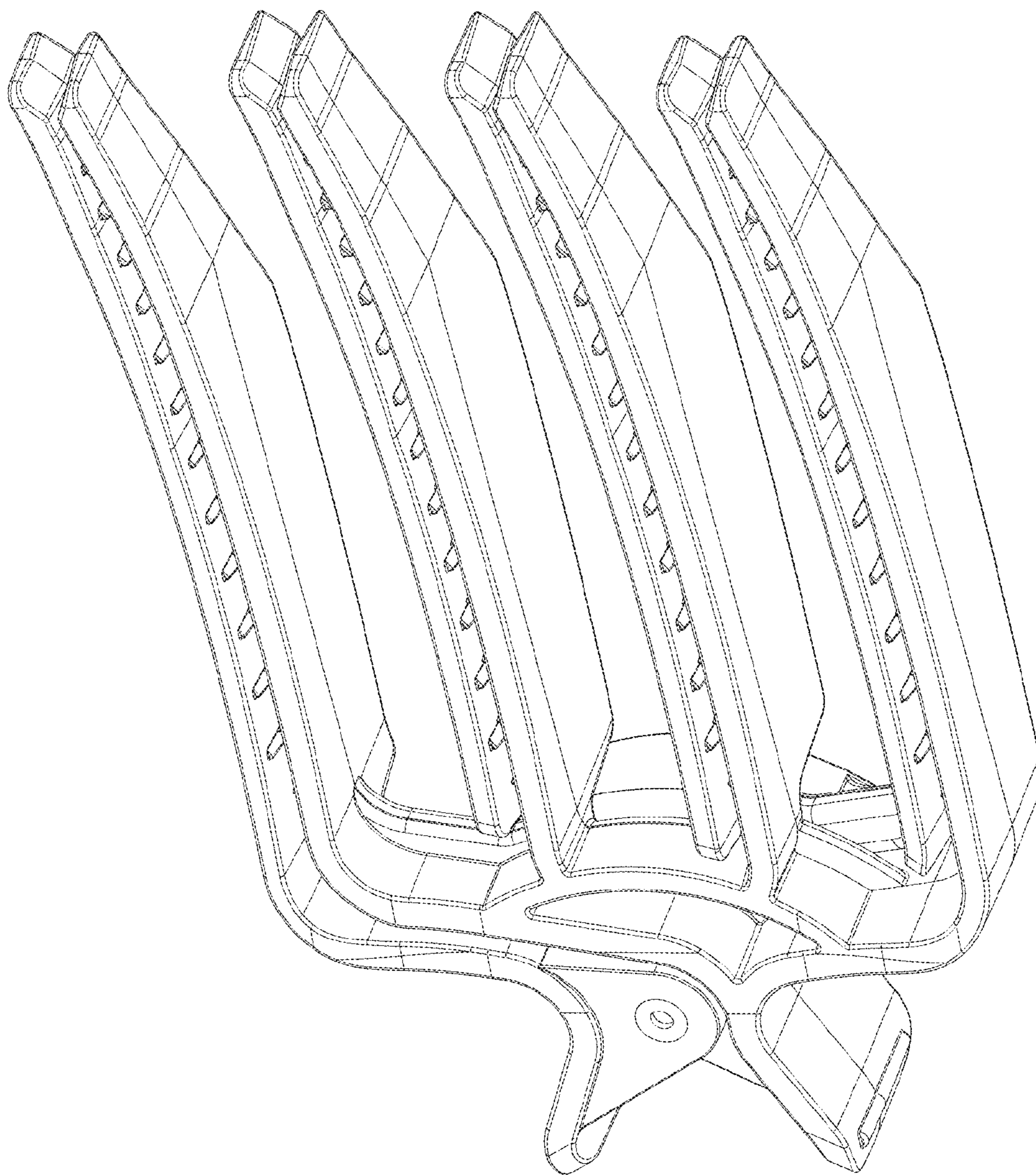


FIG. 1

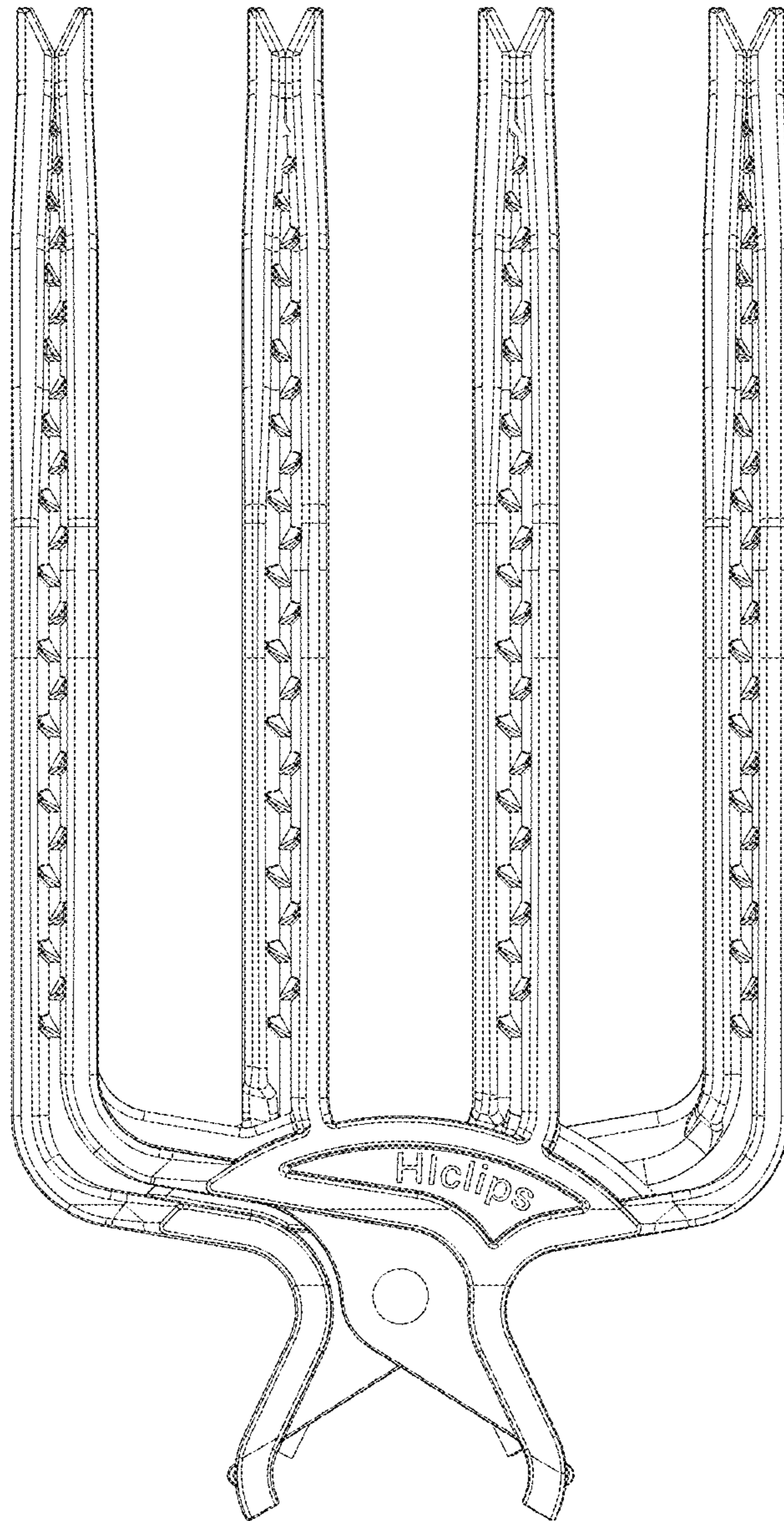


FIG. 2

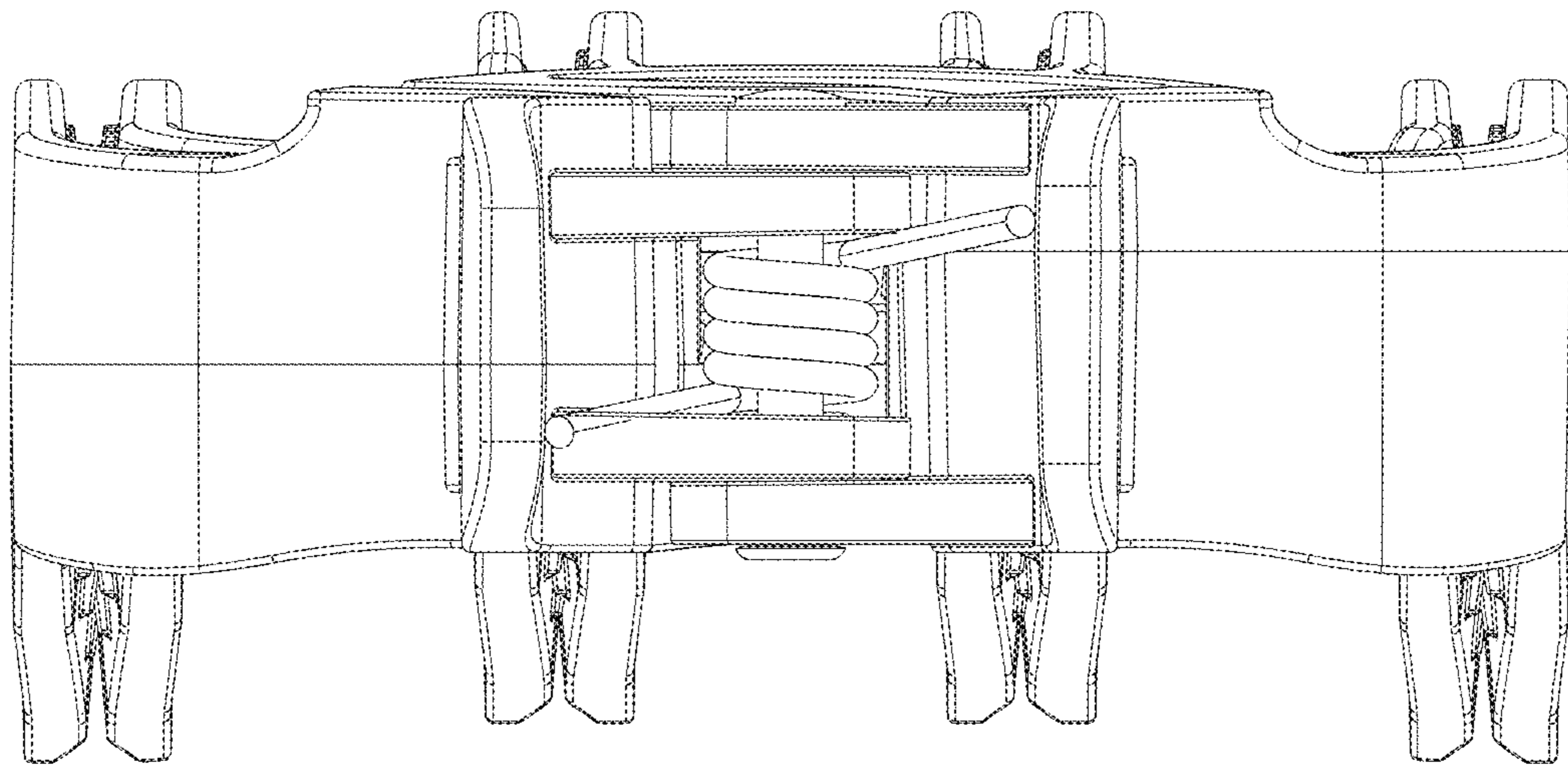


FIG. 3

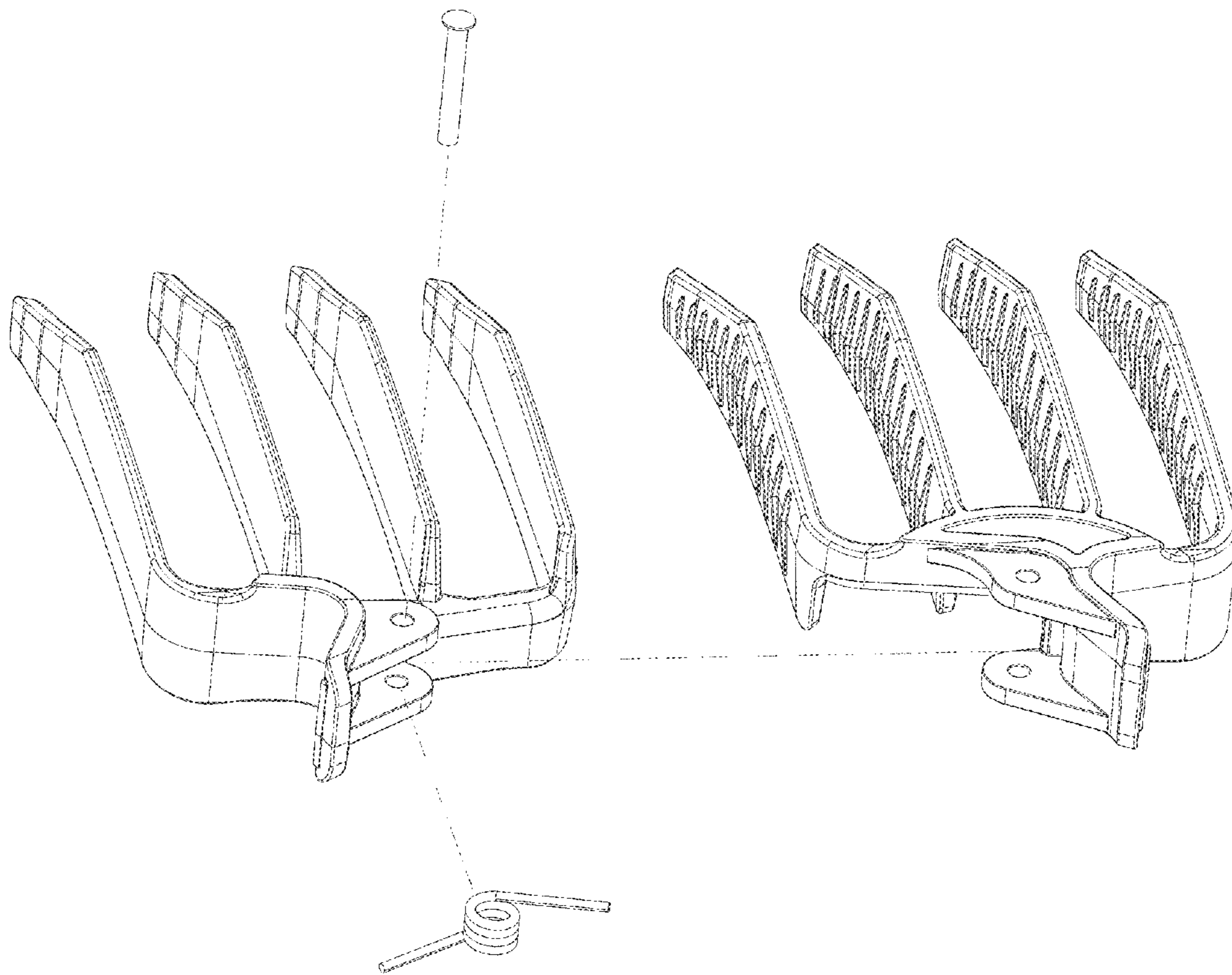


FIG. 4

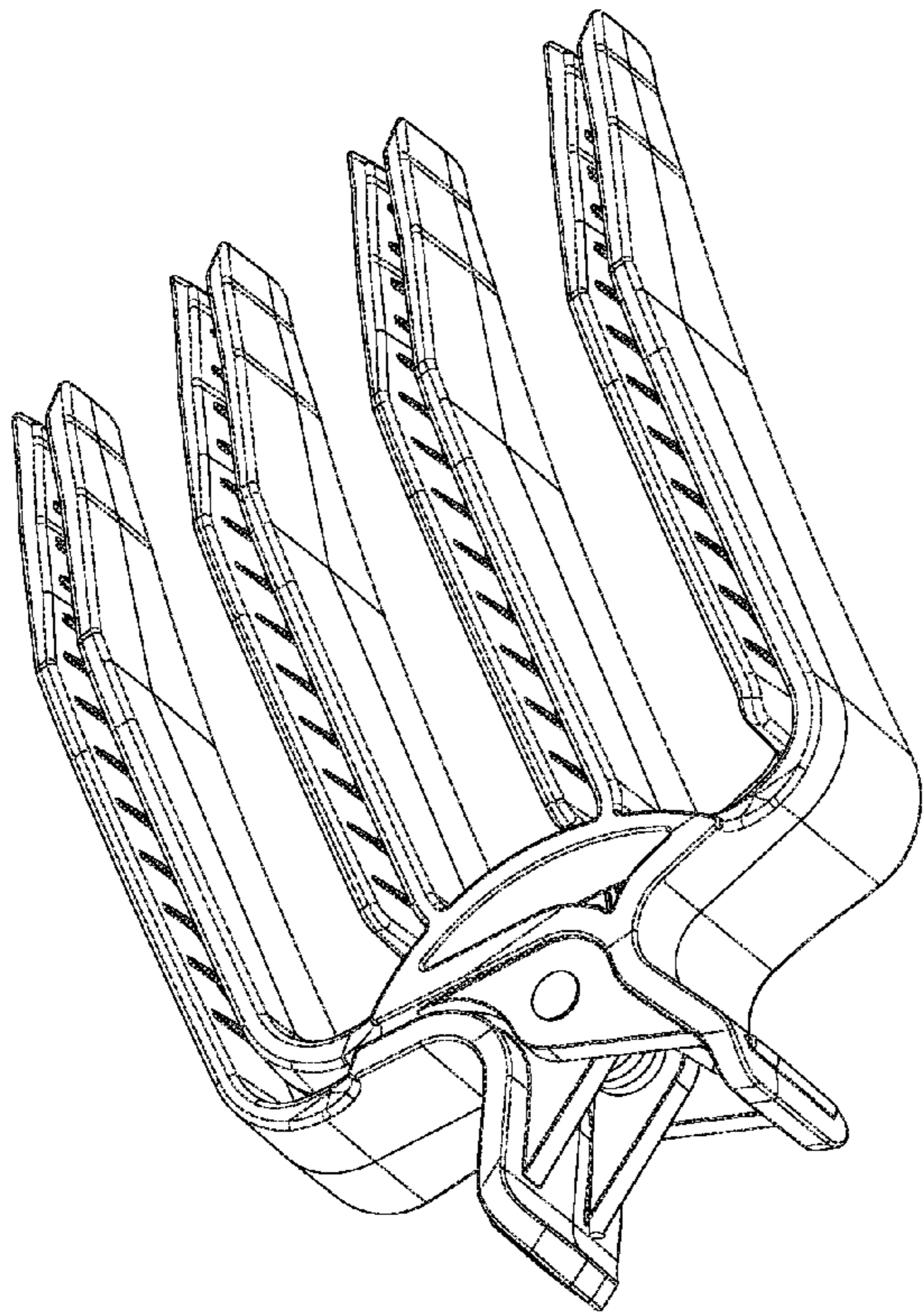


FIG. 5

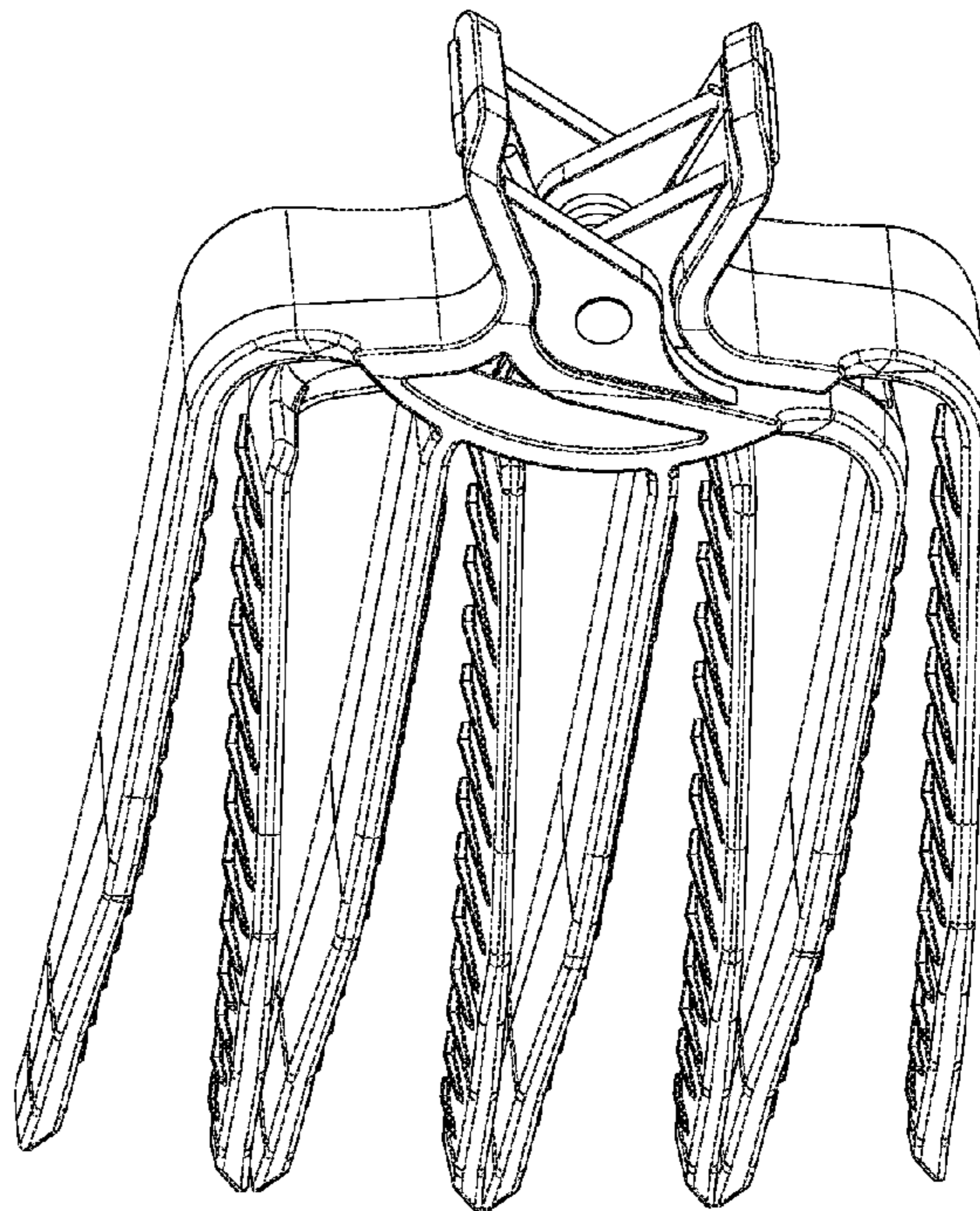
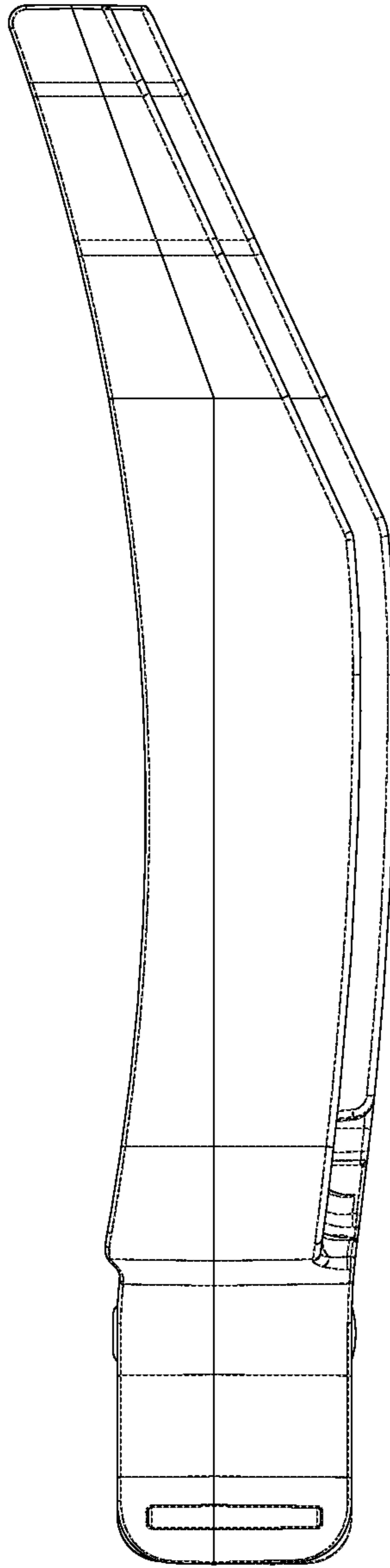


FIG. 6

FIG. 7



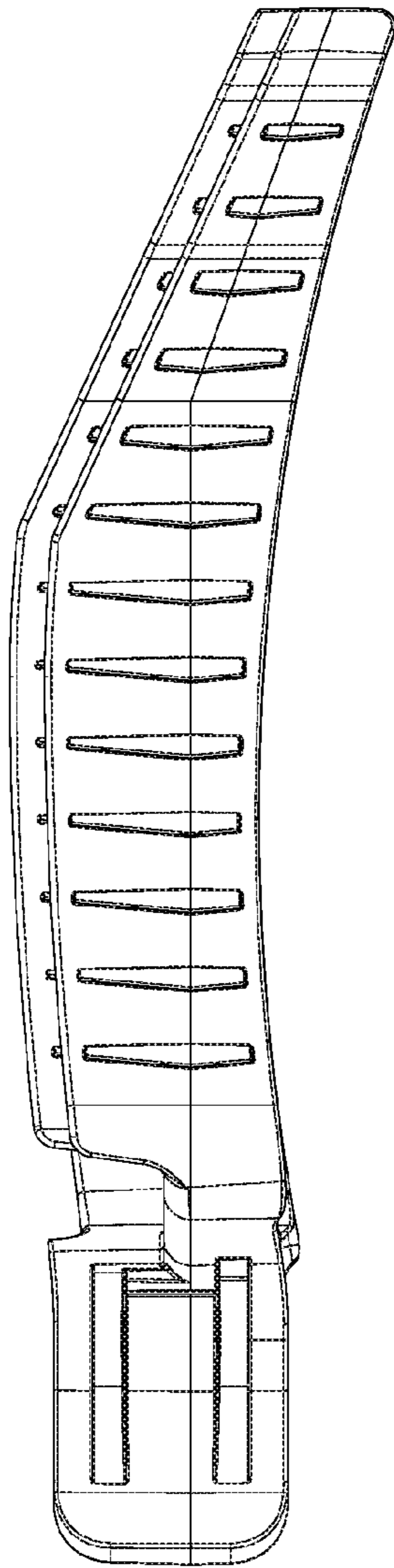


FIG. 8

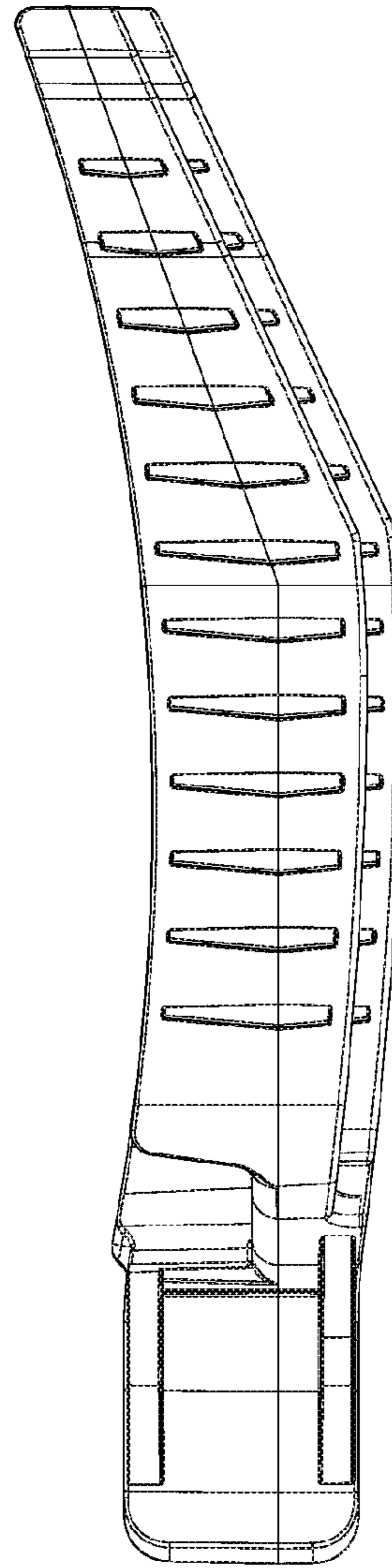


FIG. 9

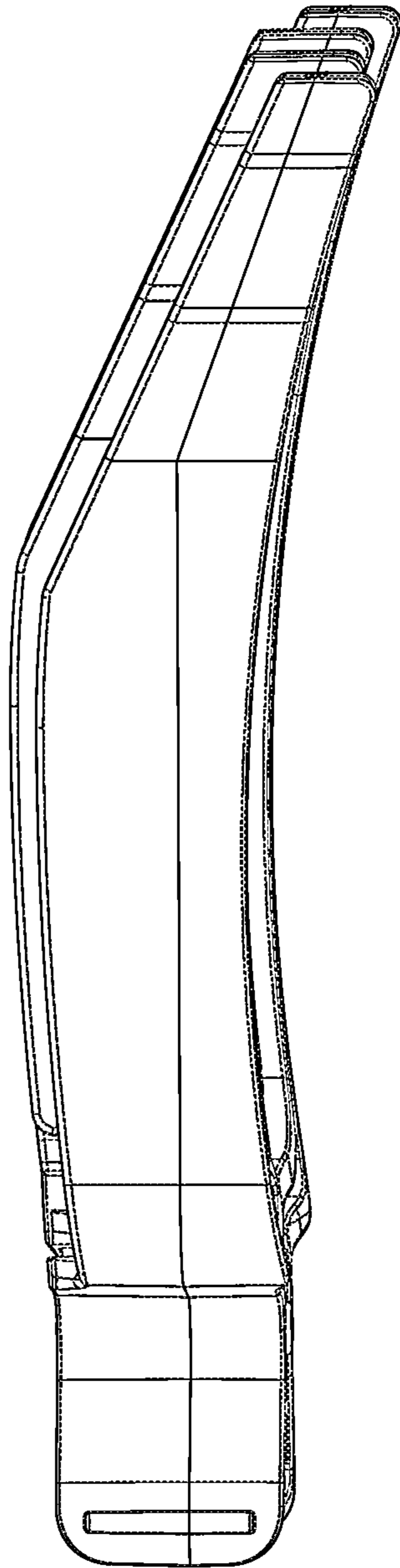


FIG. 10

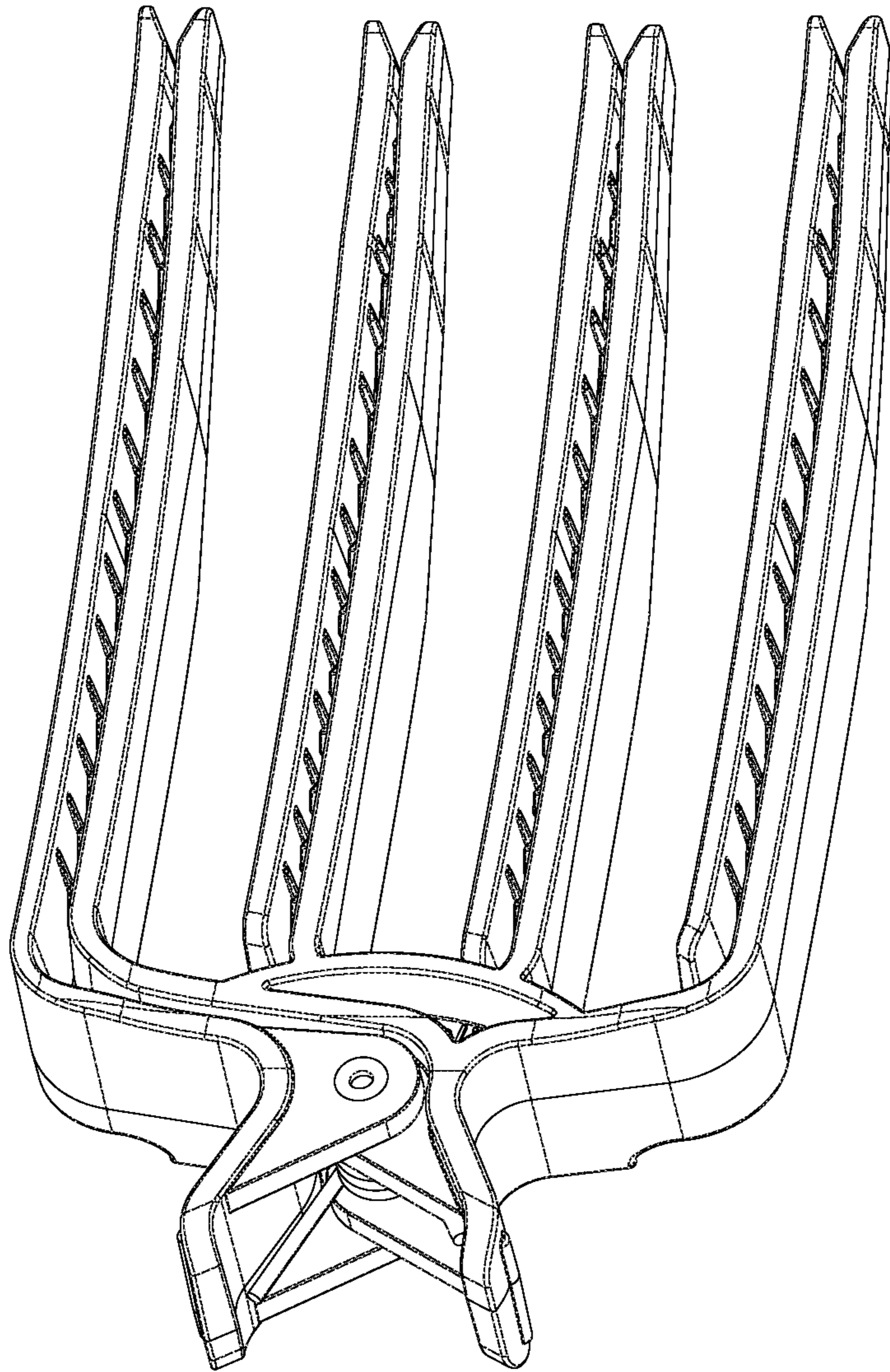


FIG. 11

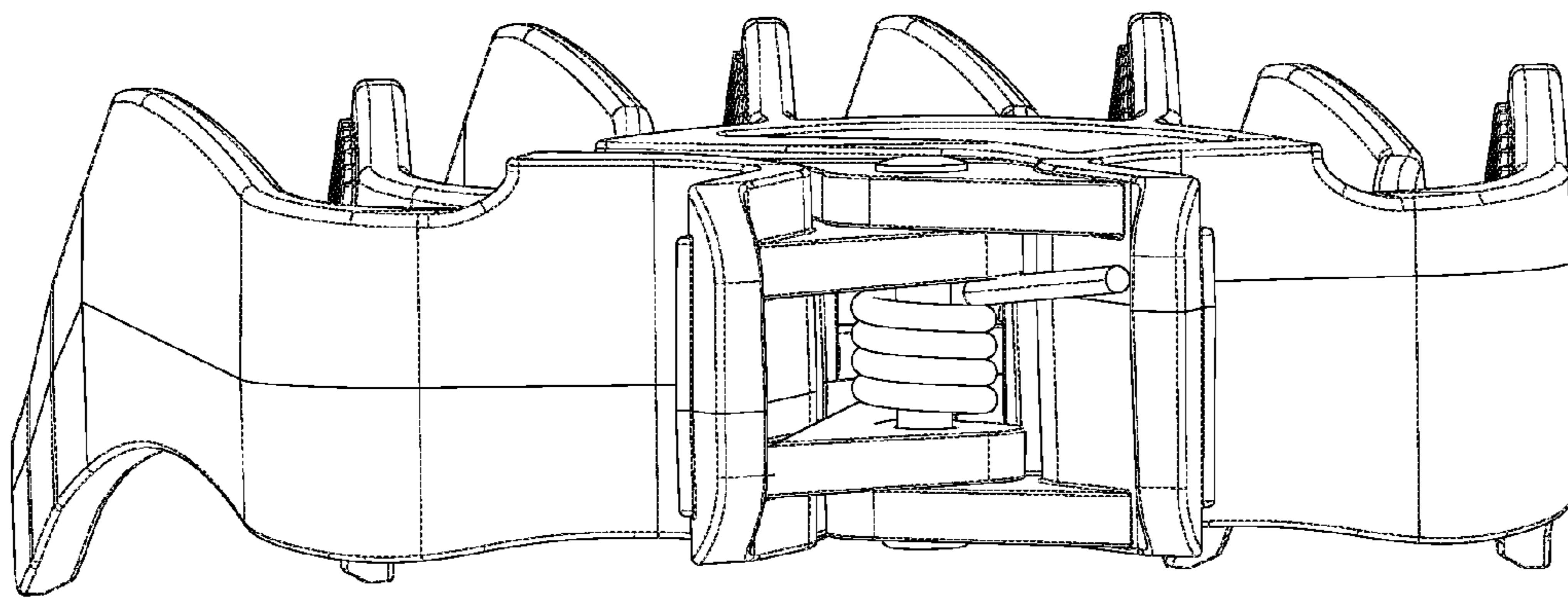


FIG. 12

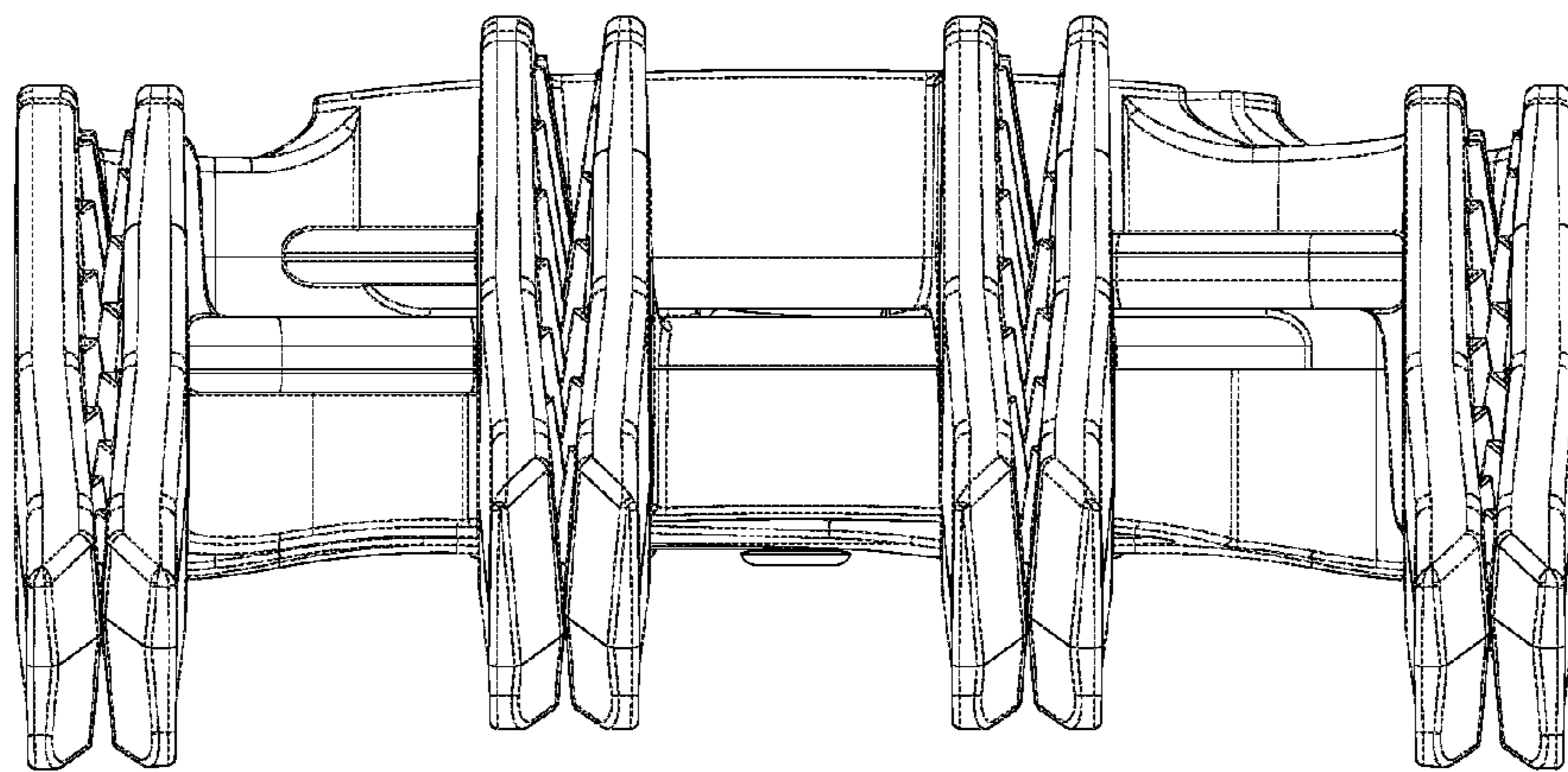


FIG. 13

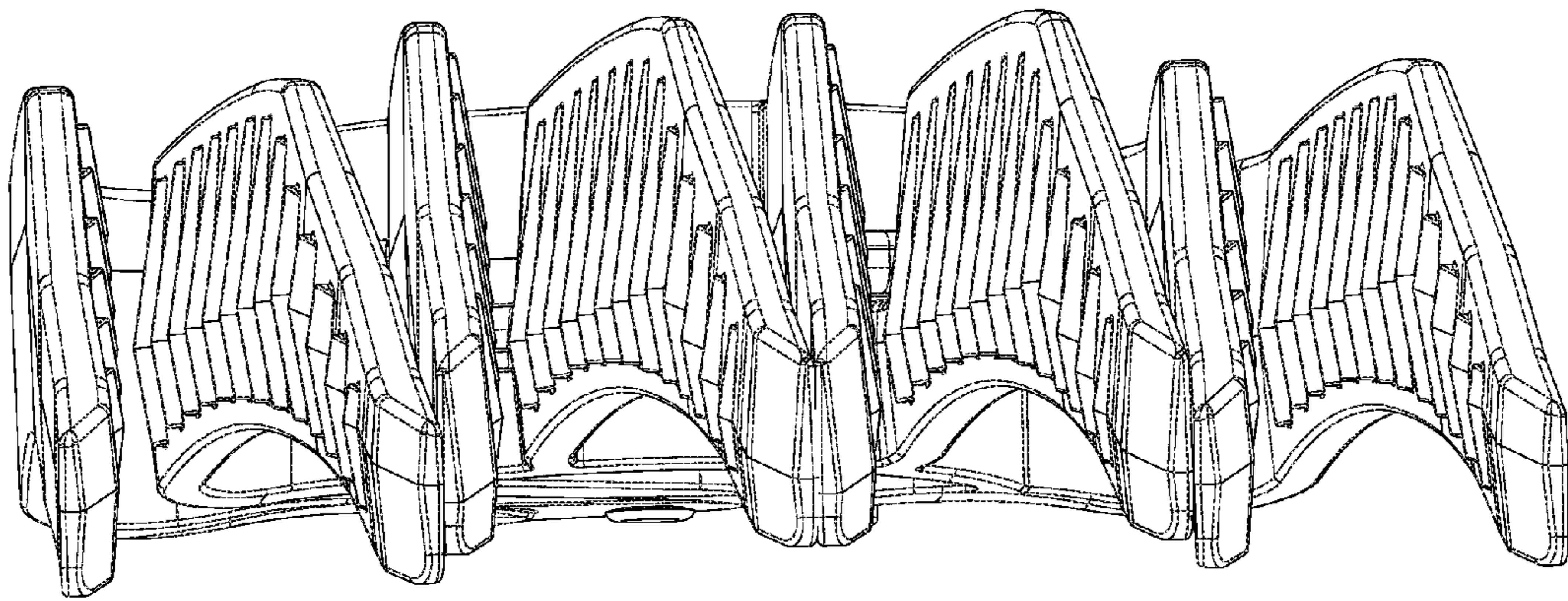


FIG. 14

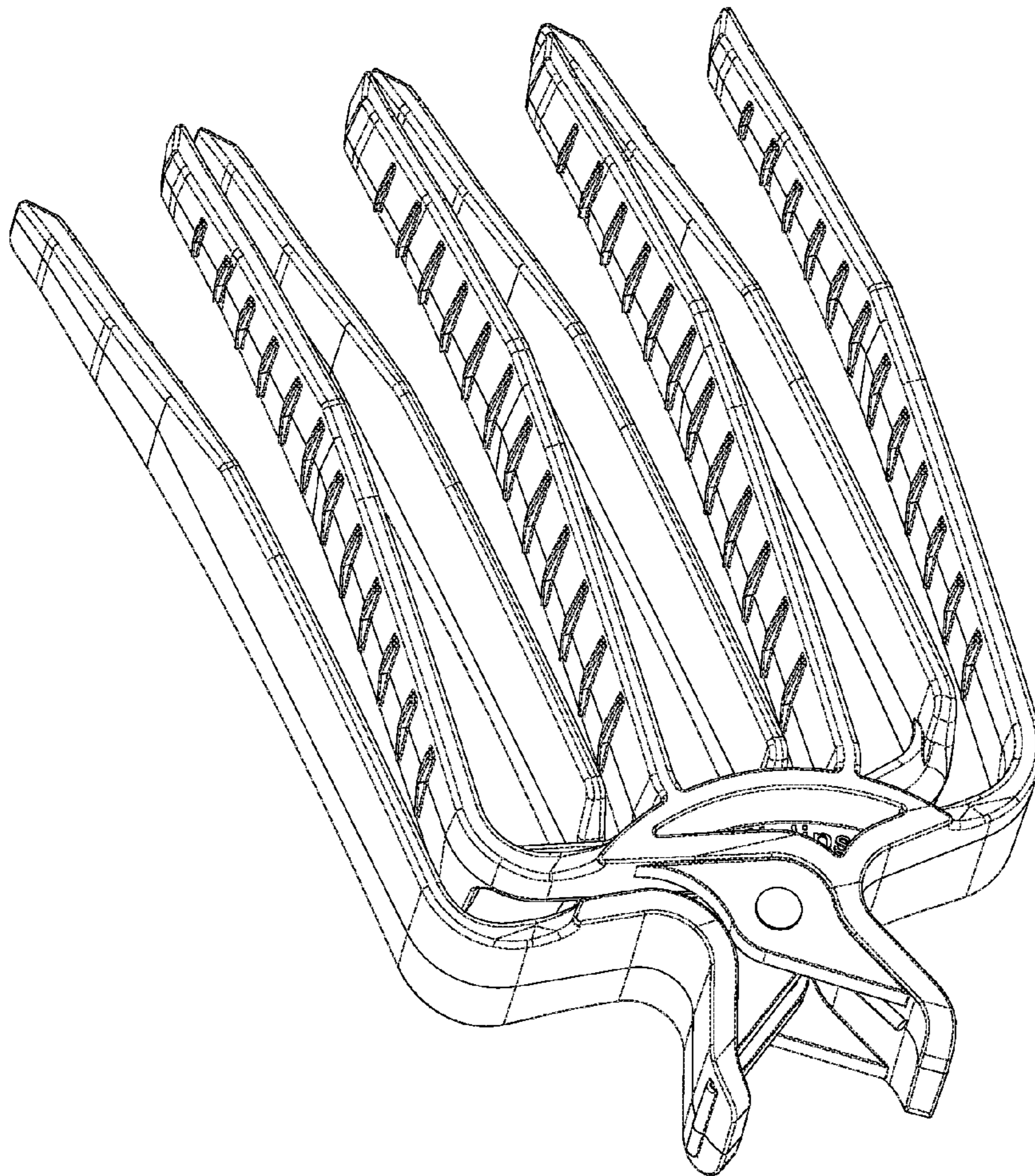


FIG. 15

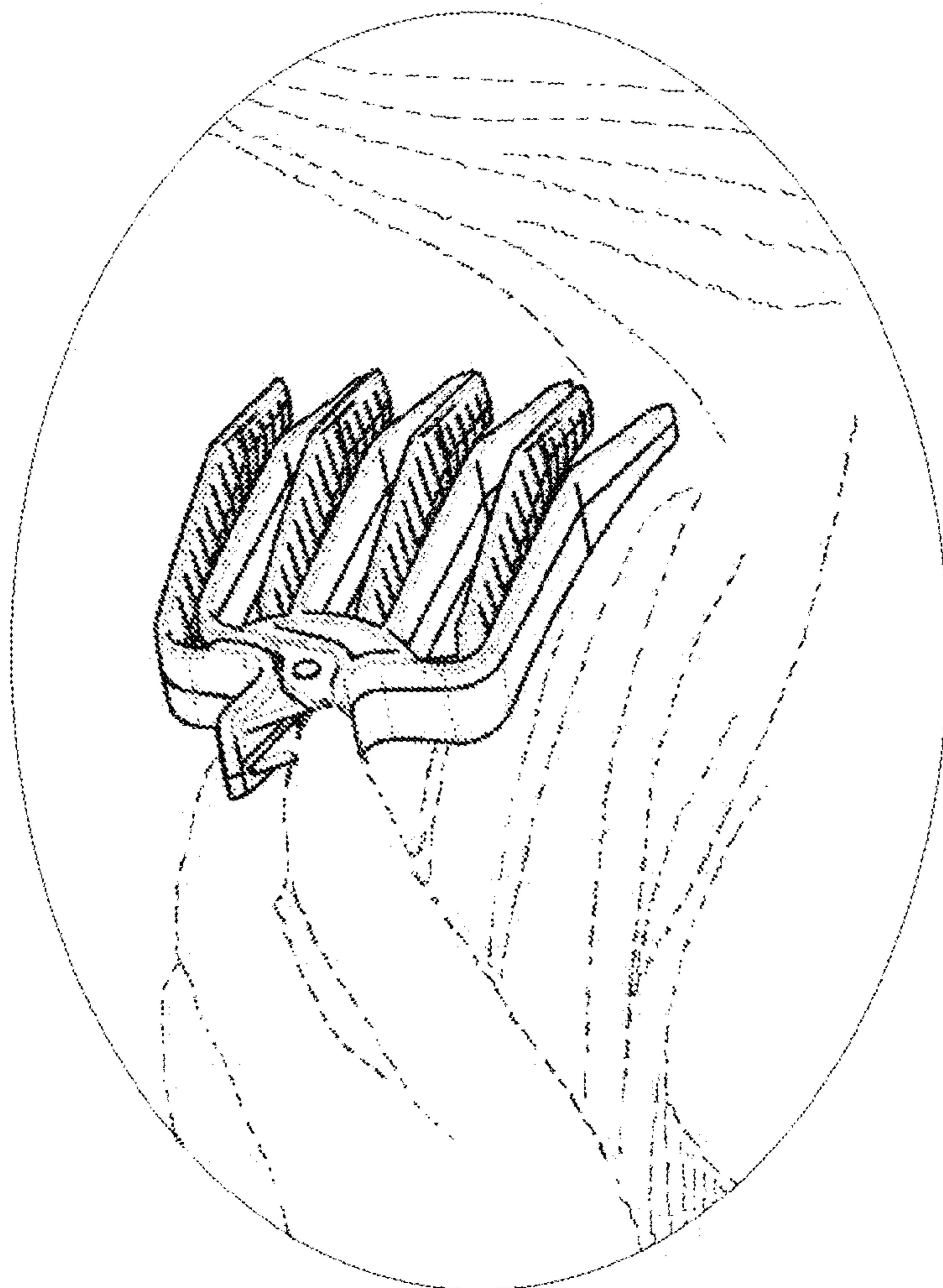


FIG. 16