



US00D729973S

(12) **United States Design Patent**
Gebhard et al.

(10) **Patent No.:** **US D729,973 S**

(45) **Date of Patent:** **** May 19, 2015**

(54) **LED WORK LIGHT**

(71) Applicant: **Golight, Inc.**, Culbertson, NE (US)

(72) Inventors: **Albert W. Gebhard**, Denver, CO (US);
Colton D. Hosick, Culbertson, NE (US)

(73) Assignee: **Golight, Inc.**, Culbertson, NE (US)

(**) Term: **14 Years**

(21) Appl. No.: **29/471,723**

(22) Filed: **Nov. 4, 2013**

(51) **LOC (10) Cl.** **26-99**

(52) **U.S. Cl.**
USPC **D26/138; D26/119**

(58) **Field of Classification Search**
USPC D26/72, 63, 85, 118, 119, 138, 142;
362/147, 373, 543-545, 249.02
See application file for complete search history.

(56) **References Cited**

U.S. PATENT DOCUMENTS

D75,985 S *	8/1928	Rockhill	D26/152
D149,124 S *	3/1948	Hewitt	D26/63
D198,637 S *	7/1964	Birns	D26/24
D224,038 S *	6/1972	Adra	D26/63
3,711,702 A *	1/1973	Adra	362/345
3,936,670 A	2/1976	Allen		
4,345,304 A	8/1982	Penney et al.		
4,419,721 A	12/1983	Gregoire et al.		
4,428,033 A	1/1984	McBride		
5,019,951 A	5/1991	Osterhout et al.		
5,072,347 A	12/1991	Brunson		
D328,148 S *	7/1992	Waldmann	D26/63
5,142,457 A	8/1992	Wehner		
D343,917 S *	2/1994	Yuen	D26/50
D350,213 S *	8/1994	Druffel et al.	D26/74
D357,087 S *	4/1995	Young	D26/60
5,988,828 A	11/1999	Prince et al.		
6,350,040 B1	2/2002	Parker		

6,592,241 B1	7/2003	Kovacik		
6,752,514 B2	6/2004	Parker		
6,786,622 B1	9/2004	Rice		
6,890,086 B2	5/2005	Shiu		
6,955,447 B2	10/2005	Lui		
6,988,818 B2 *	1/2006	Tristram	362/500
D518,218 S *	3/2006	Roberge et al.	D26/63
D536,465 S	2/2007	Krieger et al.		
D540,977 S *	4/2007	Hunkins	D26/119
D551,786 S	9/2007	Smith		
D561,372 S *	2/2008	Yan	D26/72
D561,373 S *	2/2008	Yan	D26/72
D570,009 S *	5/2008	Kani et al.	D26/28

(Continued)

OTHER PUBLICATIONS

U.S. Appl. No. 29/478,811, filed Jan. 8, 2014; First Named Inventor: Albert W. Gebhard.

Primary Examiner — Clare E Heflin

(74) *Attorney, Agent, or Firm* — Margaret Polson; Polson Intellectual Property Law, PC

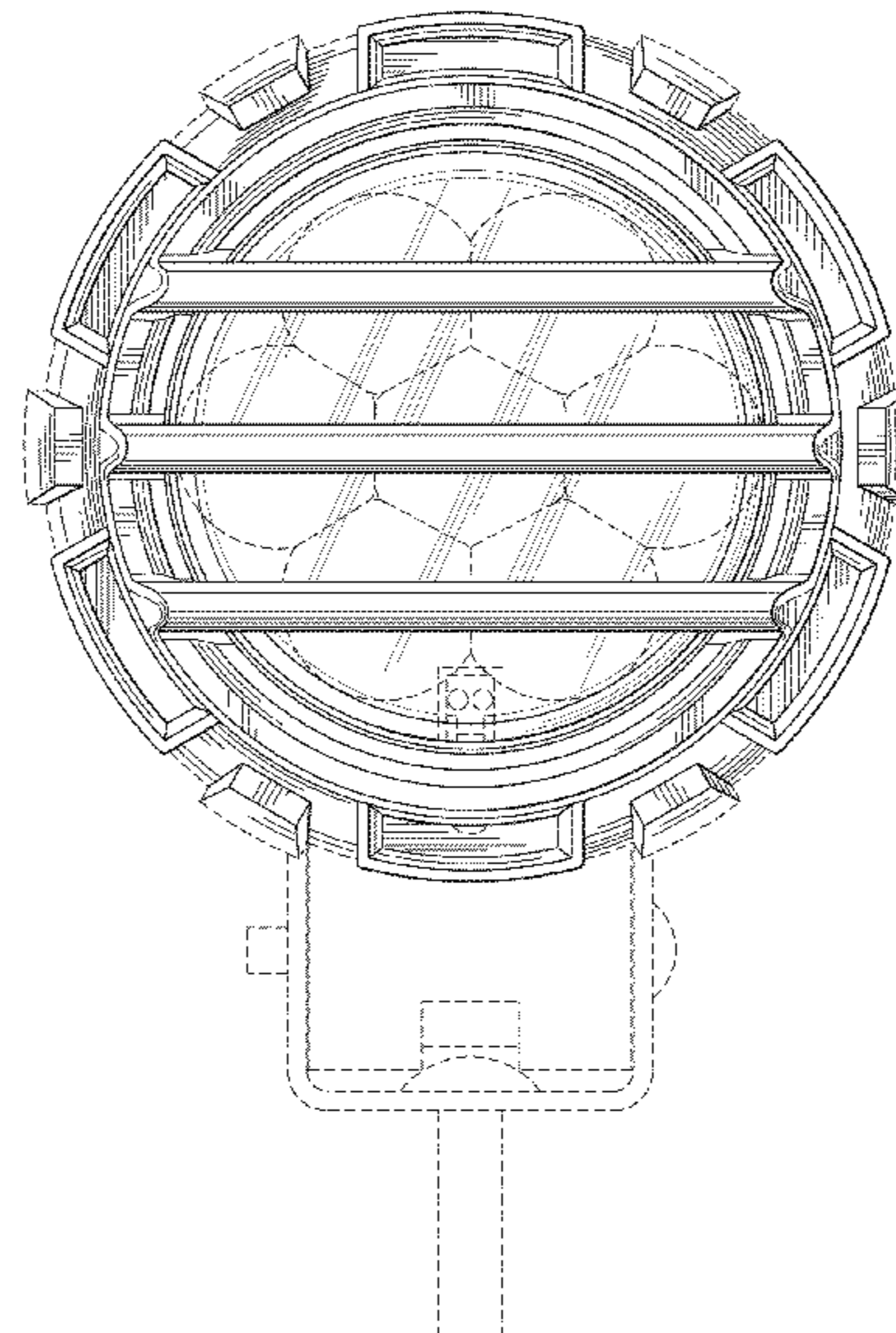
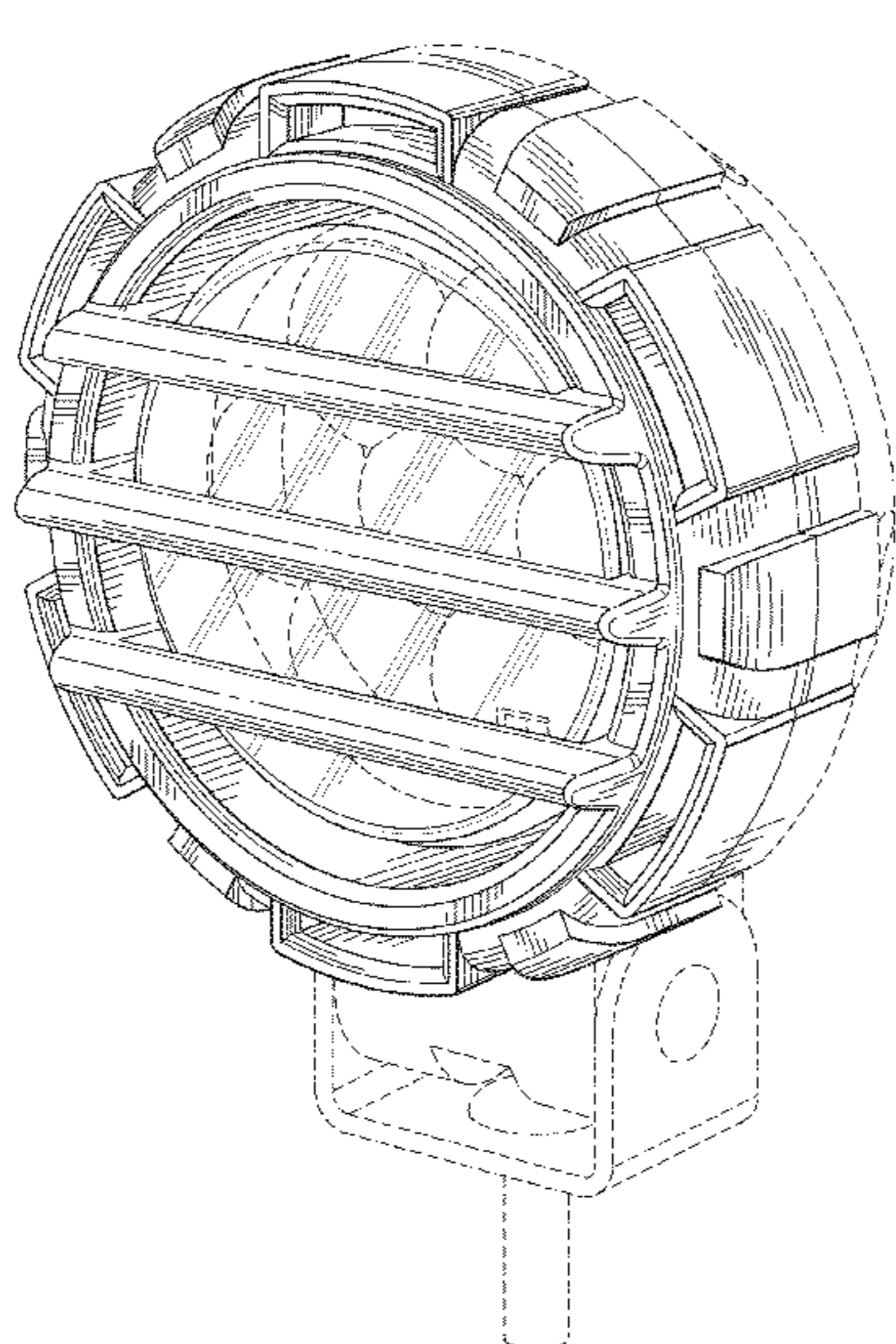
(57) **CLAIM**

The ornamental design for an LED work light, as shown and described.

DESCRIPTION

FIG. 1 is a front perspective view of our new design for an LED work light.
FIG. 2 is a front elevation view of FIG. 1.
FIG. 3 is a back elevation view of FIG. 1.
FIG. 4 is a top plan view of FIG. 1.
FIG. 5 is a bottom plan view of FIG. 1.
FIG. 6 is a right side elevation view of FIG. 1; and,
FIG. 7 is a left side elevation view of FIG. 1.
The mounting bracket, back cover and lenses are shown in broken lines and are for illustrative purpose only and form no part of the claimed design.

1 Claim, 4 Drawing Sheets



(56)

References Cited

U.S. PATENT DOCUMENTS

D597,237 S	7/2009	Kumthampinij et al.			
7,806,575 B2 *	10/2010	Willwohl et al.	362/547		
7,914,162 B1 *	3/2011	Huang	362/92		
7,988,346 B2 *	8/2011	Helms et al.	362/545		
D689,232 S *	9/2013	Velazquez	D26/63		
D694,928 S *	12/2013	Chen	D26/63		
8,727,564 B2 *	5/2014	Watanabe	362/235		

* cited by examiner

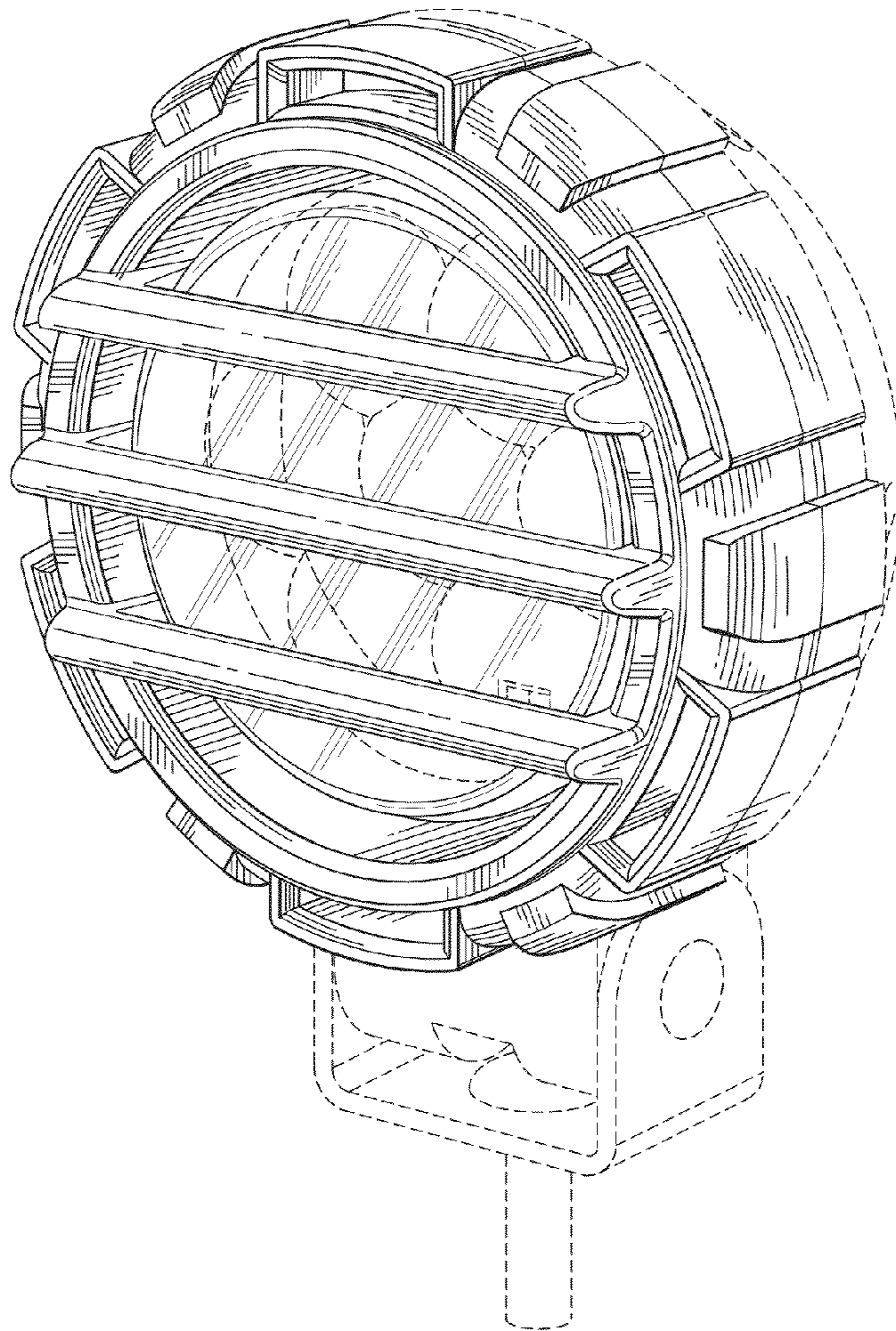


FIG.1

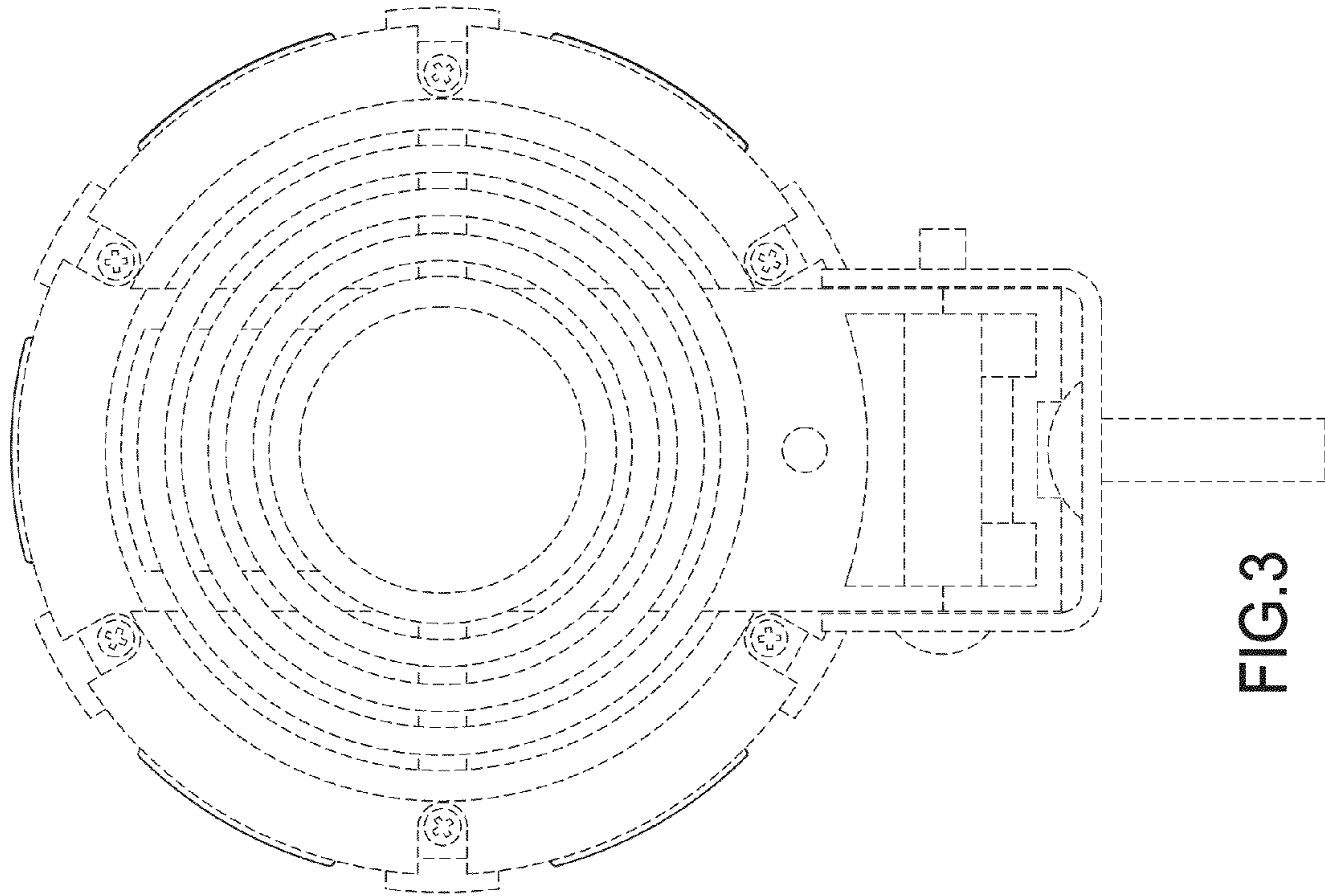


FIG.3

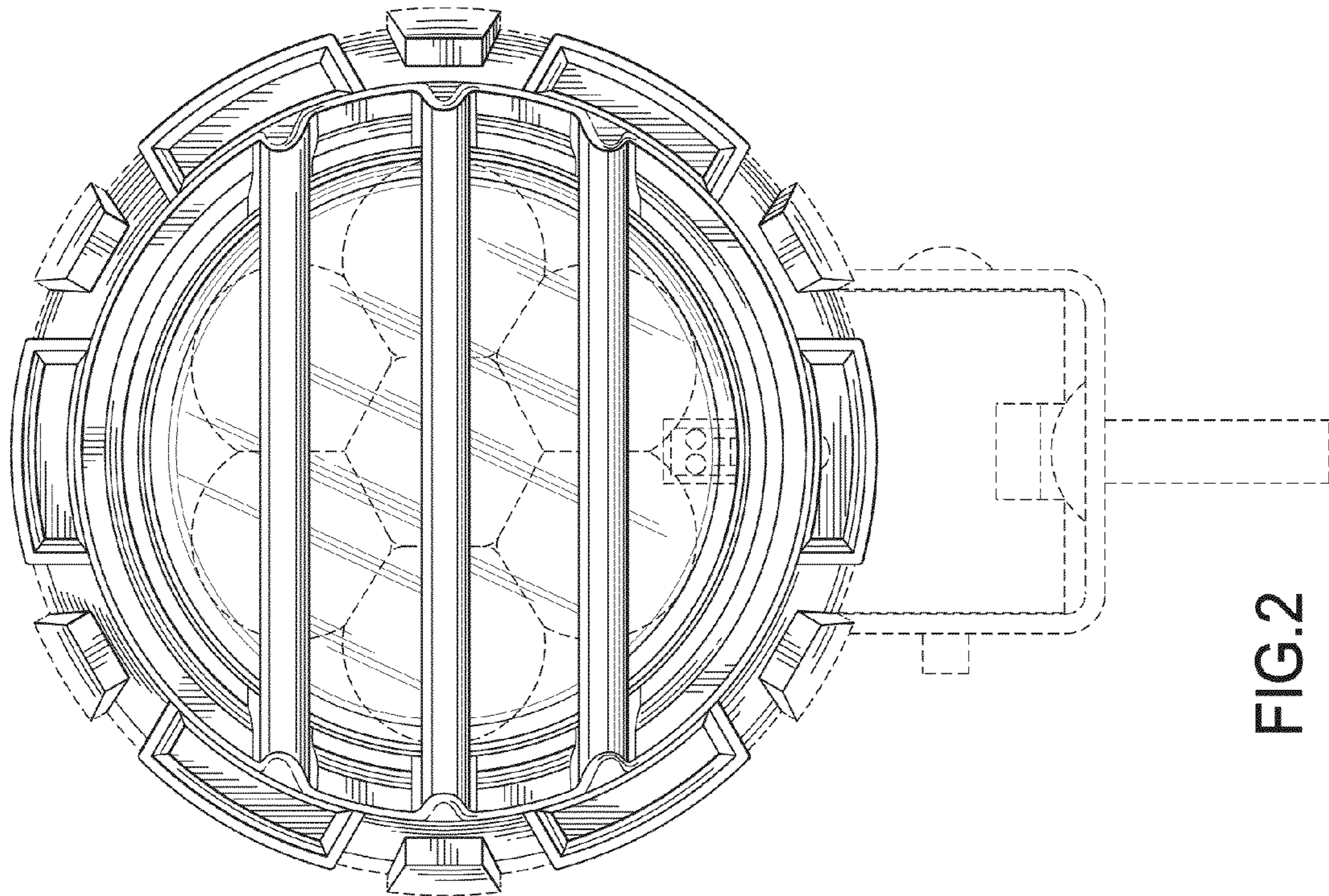


FIG.2

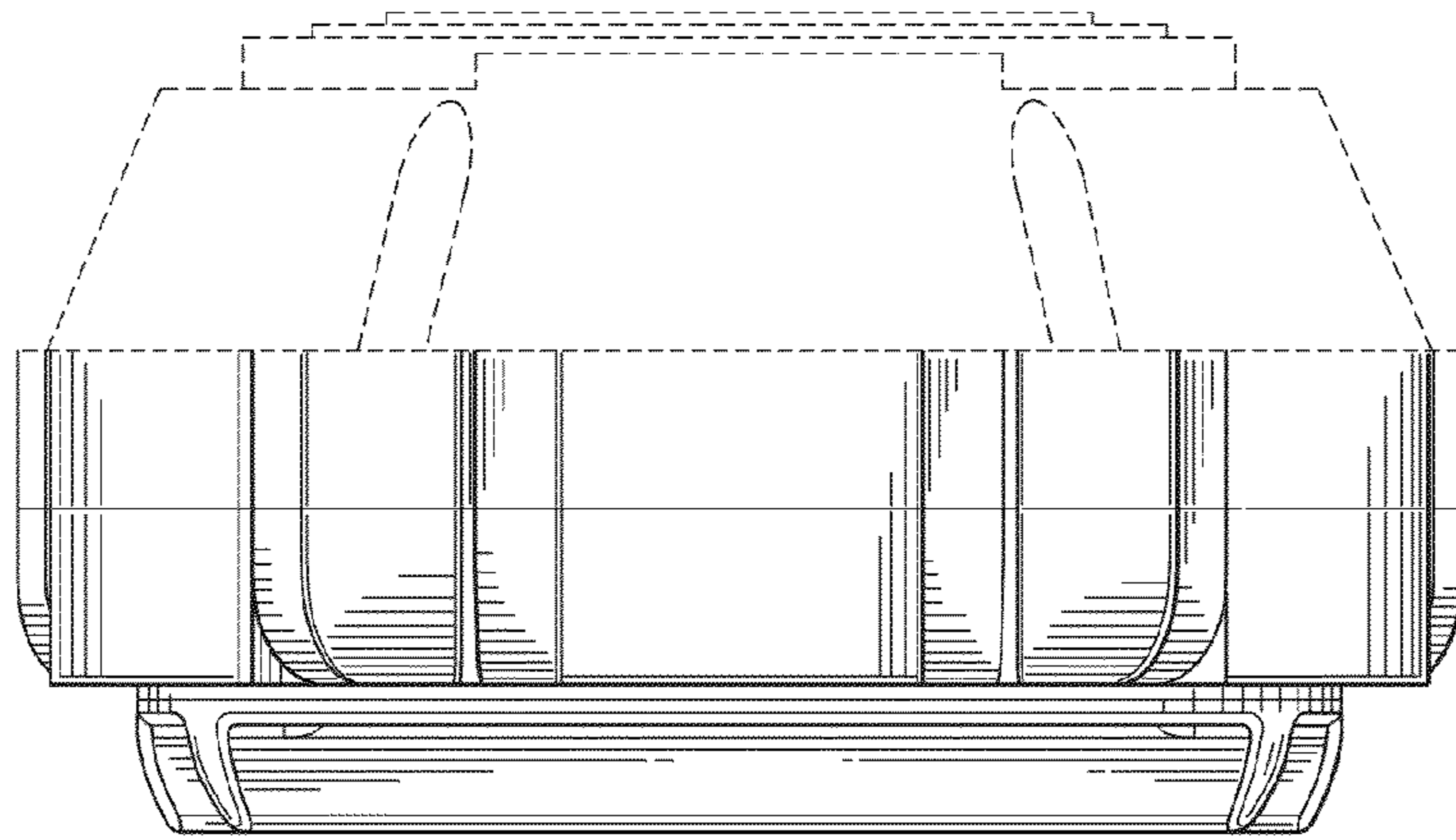


FIG. 4

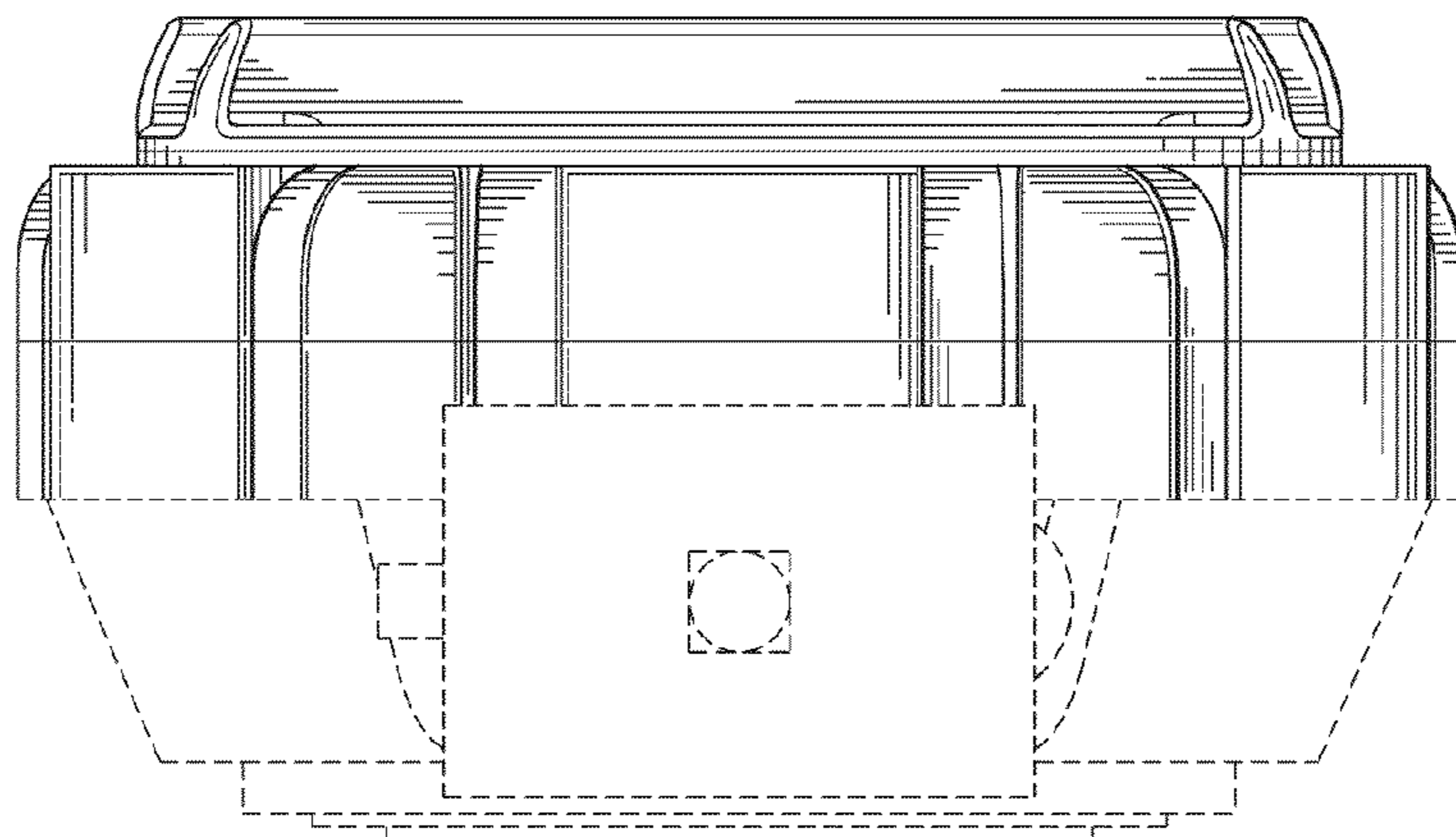


FIG. 5

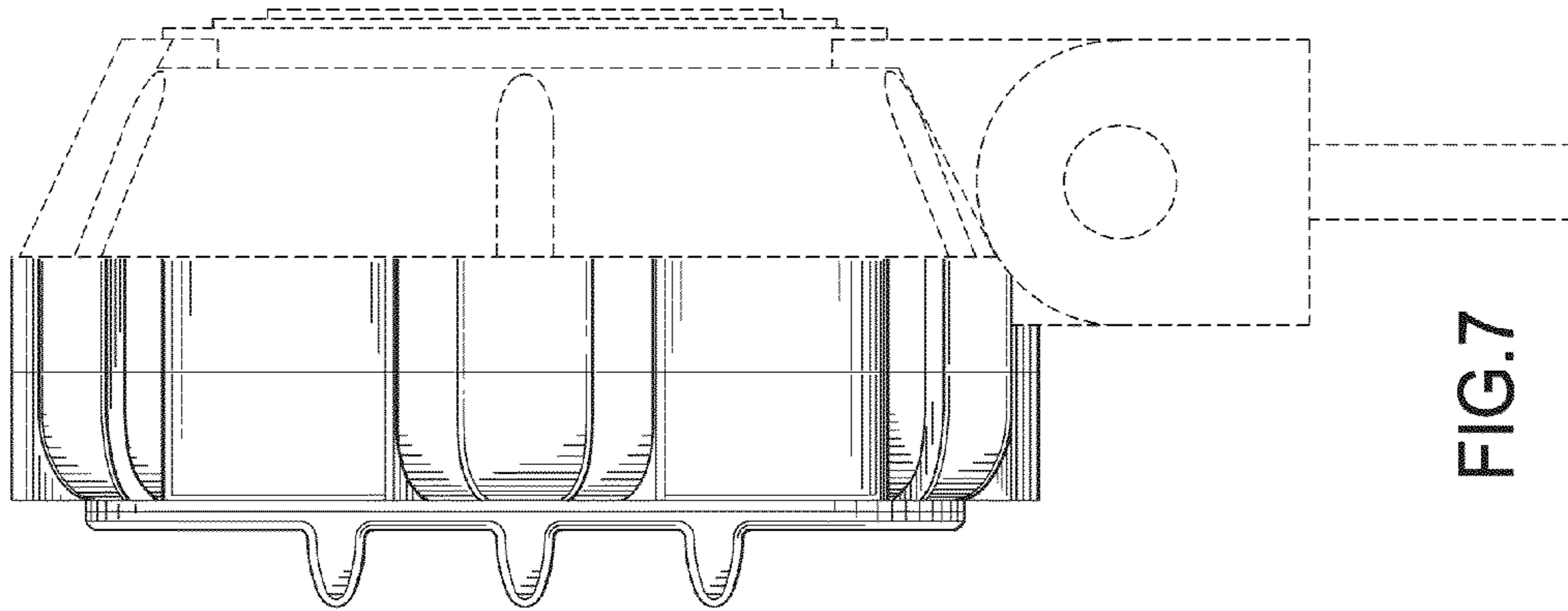


FIG. 7

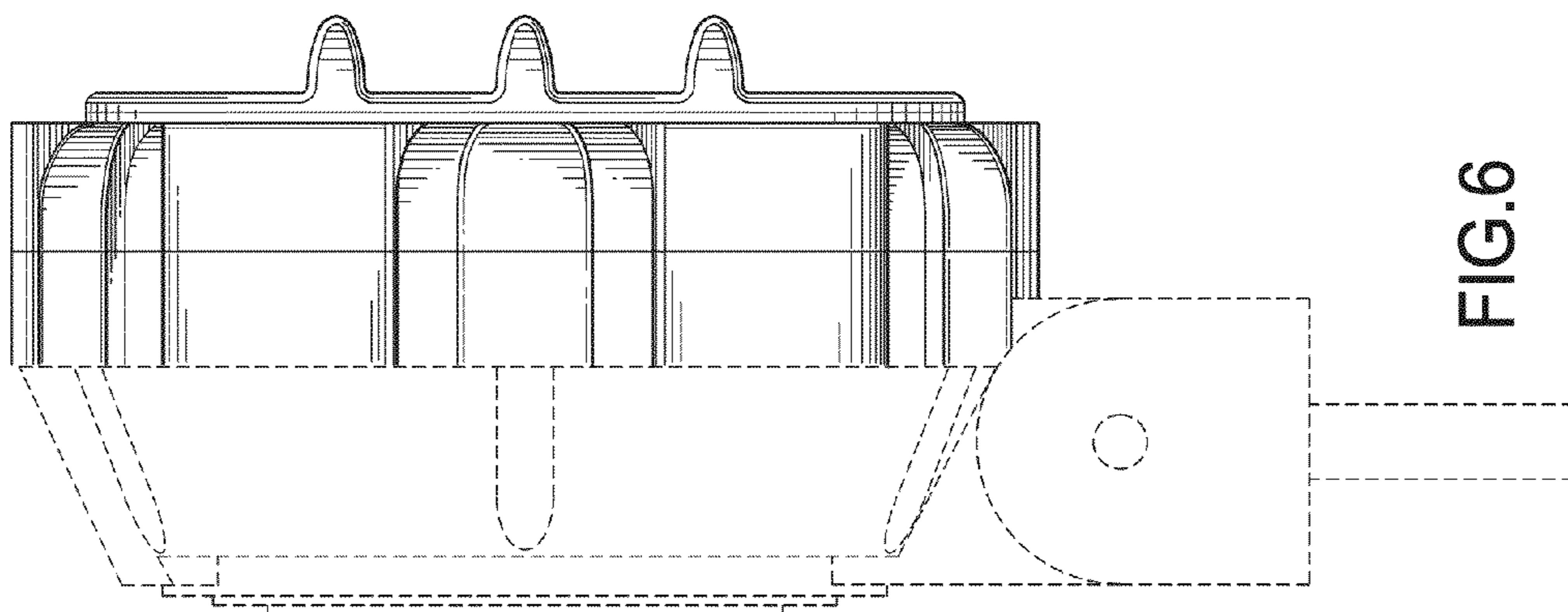


FIG. 6