



US00D729969S

(12) **United States Design Patent**
Boyer et al.

(10) **Patent No.:** **US D729,969 S**
(45) **Date of Patent:** **** May 19, 2015**

(54) **LIGHTING**

FOREIGN PATENT DOCUMENTS

(71) Applicant: **LSI Industries, Inc.**, Cincinnati, OH (US)

JP D1370240 10/2009
JP D1473964 7/2013

(Continued)

(72) Inventors: **John D. Boyer**, Lebanon, OH (US);
Daniel Hutchens, Cold Spring, KY (US);
Eric Jon Mooar, Liberty Township, OH (US)

OTHER PUBLICATIONS

Crossover Solid State Lighting, Generation 3 Canopy Lighting Sensation, LSI Industries, Inc., 10 pages (2010).

(Continued)

(73) Assignee: **LSI Industries, Inc.**, Cincinnati, OH (US)

Primary Examiner — Cynthia Ramirez

Assistant Examiner — Llorellys Martinez-Rivera

(**) Term: **14 Years**

(74) *Attorney, Agent, or Firm* — McDermott Will & Emery LLP

(21) Appl. No.: **29/449,187**

(22) Filed: **Mar. 14, 2013**

(51) **LOC (10) Cl.** **26-05**

(52) **U.S. Cl.**
USPC **D26/74**

(58) **Field of Classification Search**
USPC D26/24, 26, 51, 56, 57, 61, 72-91,
D26/92-102, 105, 108, 109, 113, 118-124,
D26/133, 134, 137, 138, 204; 362/3, 11, 12,
362/16, 145, 147-150, 217.01-217.12, 257,
362/265, 291, 294, 296.01, 296.09, 297,
362/308, 317, 327, 328, 335, 362-368, 373,
362/404, 407, 412, 416, 455, 558, 563, 564,
362/576, 640-644; D11/131, 142-144,
D11/152-154; D14/172, 184, 195, 204

See application file for complete search history.

(56) **References Cited**

U.S. PATENT DOCUMENTS

D190,388 S * 5/1961 Zurawski D26/74
5,444,576 A 8/1995 Shimada
D441,483 S * 5/2001 Schaefer et al. D26/85
D445,526 S * 7/2001 Wang D26/76

(Continued)

(57) **CLAIM**

The ornamental design for lighting, as shown and described.

DESCRIPTION

FIG. 1 is a perspective view of a lighting showing the present invention;

FIG. 2 is a bottom view of the lighting depicted in FIG. 1;

FIG. 3 is a right side view of the lighting depicted in FIG. 1;

FIG. 4 is a left side view of the lighting depicted in FIG. 1;

FIG. 5 is a front side view of the lighting depicted in FIG. 1;

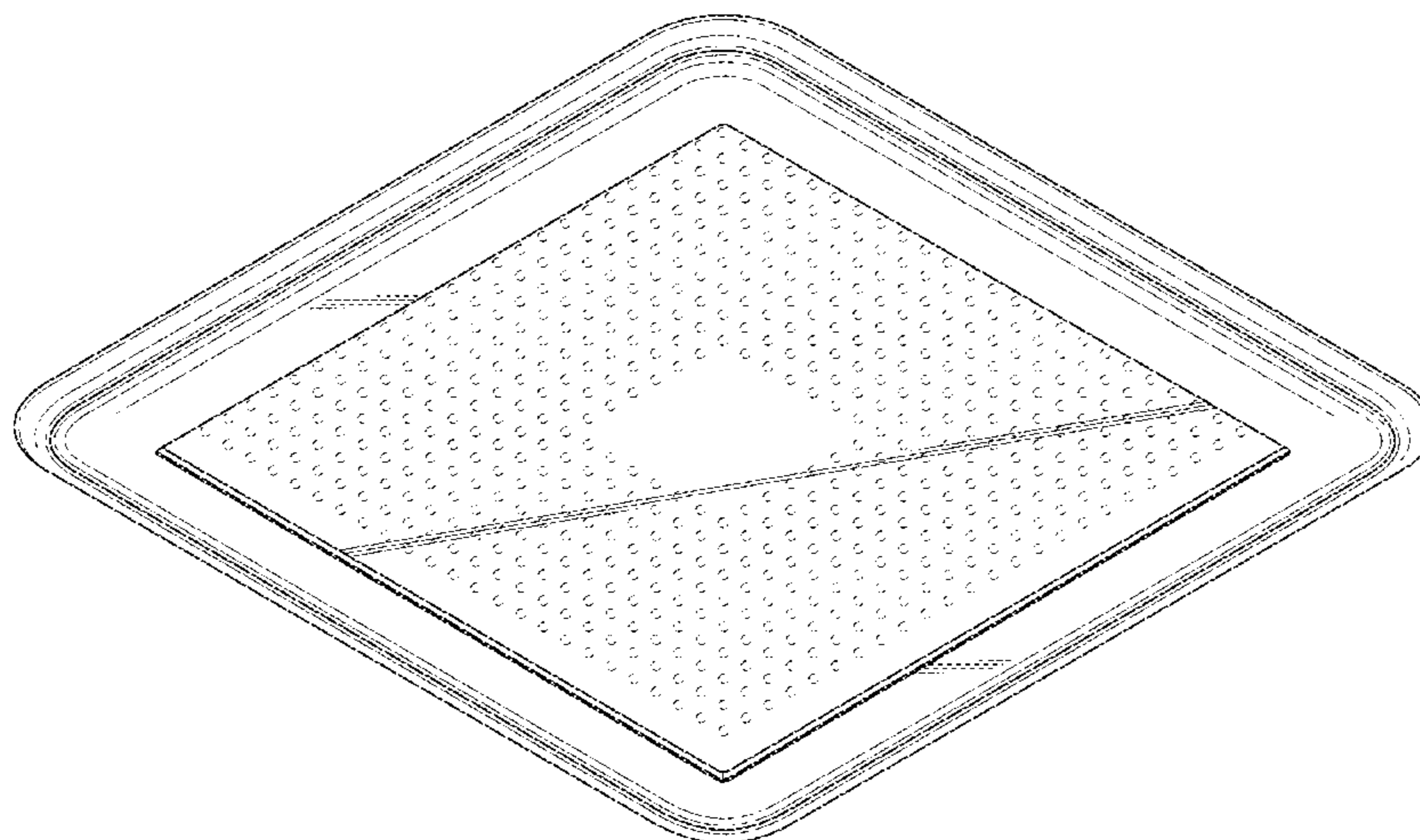
FIG. 6 is a rear side view of the lighting depicted in FIG. 1;

and,

FIG. 7 is a top side view of the lighting depicted in FIG. 1.

The broken lines shown in the drawings illustrate portions of the lighting that form no part of the claimed design. Moreover, the shading presented in the accompanying drawings is provided merely to highlight the contour of the invention and is not intended to be illustrative of texture or gloss.

1 Claim, 5 Drawing Sheets



(56)

References Cited

U.S. PATENT DOCUMENTS

D457,677 S 5/2002 Landefeld
 D469,211 S * 1/2003 Homann D26/118
 D489,353 S 5/2004 Right et al.
 D509,617 S * 9/2005 Benghozi D26/89
 D511,020 S * 10/2005 Egawa et al. D26/89
 D532,142 S 11/2006 Matsui et al.
 D539,943 S 4/2007 Egawa et al.
 D544,629 S * 6/2007 Benensohn D26/79
 D551,379 S * 9/2007 Maxik D26/74
 D558,382 S * 12/2007 Cesaro D26/86
 D574,994 S * 8/2008 Boyer D26/120
 D575,887 S 8/2008 Mukai
 D584,440 S * 1/2009 Allen D26/76
 D592,348 S 5/2009 Trott et al.
 7,547,112 B2 * 6/2009 Kim 362/364
 D599,944 S 9/2009 Sabernig
 D601,744 S * 10/2009 Sakuma D26/89
 D613,886 S 4/2010 Lodhie
 D614,341 S 4/2010 Sabernig
 D617,441 S 6/2010 Koury et al.
 7,771,083 B2 * 8/2010 Troller et al. 362/217.01
 D628,335 S 11/2010 Hyland
 D637,752 S 5/2011 Mekhtarian
 D640,822 S 6/2011 Wildner
 D641,098 S 7/2011 Wildner
 D648,060 S 11/2011 Yamamoto et al.
 D656,264 S 3/2012 Janssen
 D656,654 S 3/2012 Wauters
 D670,855 S 11/2012 Turner
 D673,712 S 1/2013 Patel
 D675,187 S 1/2013 Nousiainen
 D677,824 S * 3/2013 Maxik et al. D26/89
 D680,257 S * 4/2013 Patrick et al. D26/89
 D681,867 S 5/2013 Wegger et al.
 D686,363 S * 7/2013 Smith D26/118
 8,480,264 B2 7/2013 Vanden Eynden et al.
 D688,412 S 8/2013 Helm et al.
 8,511,867 B1 * 8/2013 Tam et al. 362/147
 D690,867 S * 10/2013 Mayfield, III D26/74
 8,550,670 B2 * 10/2013 Boyer et al. 362/368
 D698,974 S * 2/2014 Aniserowicz et al. D26/74
 D698,981 S 2/2014 Eberle
 D701,636 S 3/2014 Maxik et al.
 D702,393 S 4/2014 Ansierowicz et al.
 D702,868 S * 4/2014 Patel D26/74
 D707,383 S * 6/2014 Carraher D26/89
 D707,879 S 6/2014 Hamilton

D712,082 S 8/2014 Harpenau et al.
 D715,476 S 10/2014 Tien et al.
 D717,989 S 11/2014 Heim et al.
 2001/0006463 A1 * 7/2001 Fischer et al. 362/368
 2007/0171664 A1 * 7/2007 Shih et al. 362/811
 2010/0149806 A1 6/2010 Yiu
 2010/0165643 A1 7/2010 Russo
 2013/0301293 A1 * 11/2013 Hiraoka 362/576
 2014/0159636 A1 6/2014 Yang et al.
 2014/0160765 A1 6/2014 Sato et al.
 2014/0268729 A1 * 9/2014 Boyer et al. 362/362
 2014/0268782 A1 * 9/2014 Boyer et al. 362/249.06
 2014/0268788 A1 * 9/2014 Boyer et al. 362/267
 2014/0268789 A1 * 9/2014 Boyer et al. 362/267
 2014/0268820 A1 * 9/2014 Boyer et al. 362/362
 2014/0268821 A1 * 9/2014 Boyer et al. 362/362
 2014/0268830 A1 * 9/2014 Boyer et al. 362/382

FOREIGN PATENT DOCUMENTS

TW 152780 2/1991
 TW 169220 9/1991
 TW 292168 11/1996
 TW D154713 7/2013

OTHER PUBLICATIONS

Crossover, Generation 3, CRO3 LED Canopy Lighting, LSI Industries, Inc., 4 pages (2012).
 Crossover LED Lighting Technology, Generation 3 LED Ambient Canopy Lighting, LSI Industries, Inc., 2 pages (2012).
 Scottsdale Data Sheet, LSI Industries, Inc., 2 pages, (2009).
 Installation and Assembly Instructions, Scottsdale Series Optical Unit Only, 1 page. (2007).
 Crossover LED Lighting Technology, Generation 3, 2011 Edition, LSI Industries, 20 pages (2011).
 Japanese Preliminary Rejection from corresponding Japanese Application No. 2013-018039 dated Mar. 31, 2014.
 Japanese Preliminary Rejection from corresponding Japanese Application No. 2013-018040 dated Mar. 31, 2014.
 Japanese Preliminary Rejection from corresponding Japanese Application No. 2013-018044 dated Mar. 31, 2014.
 Taiwan Office Action from corresponding Taiwan 102305398 Application dated Feb. 20, 2014.
 Taiwan Office Action from corresponding Taiwan 102305398 Application dated May 14, 2014.
 Crossover Solid-State Lighting, Generation 3, LED Canopy Lighting (admitted prior art).

* cited by examiner

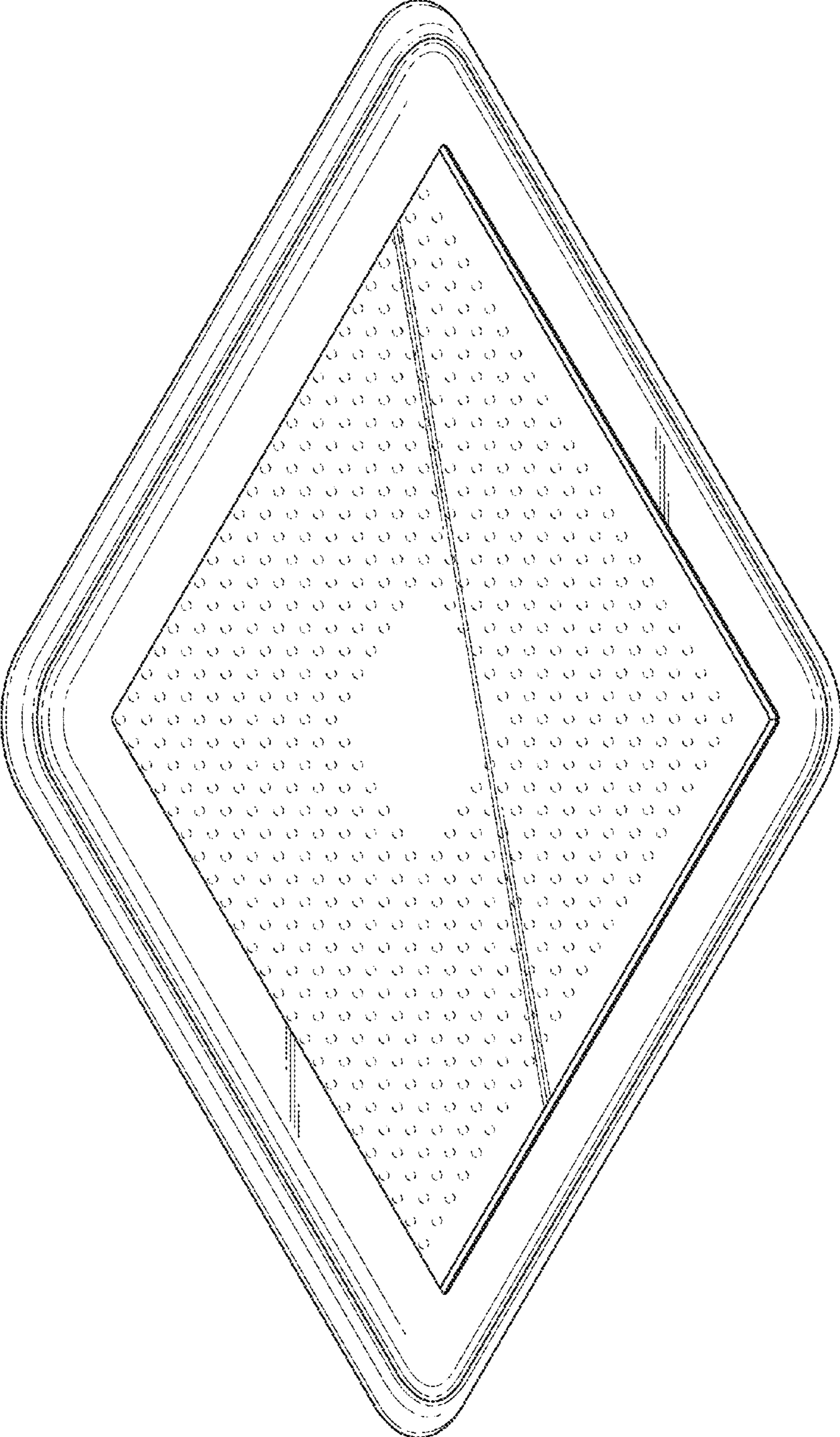


FIG. 1

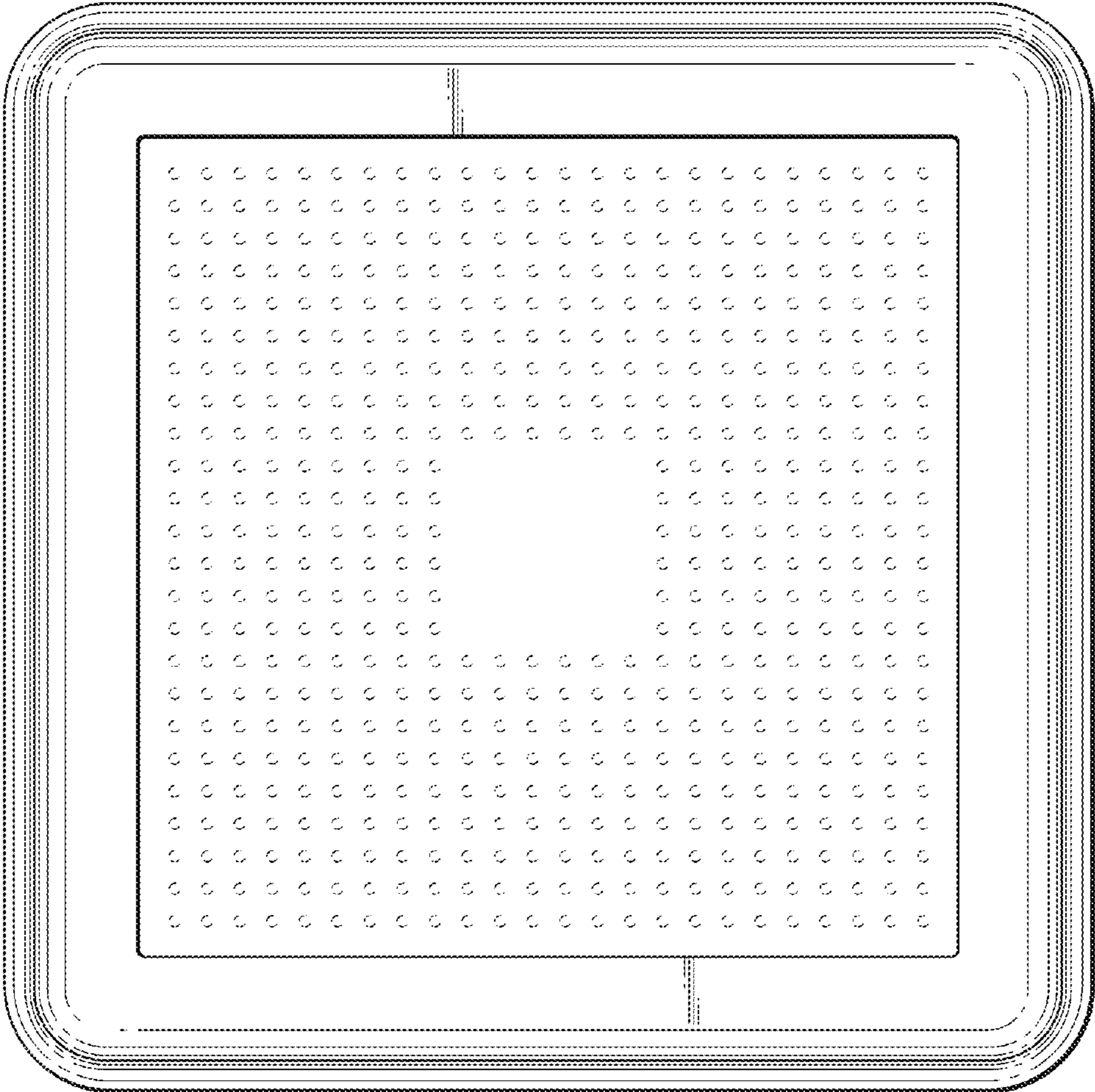


FIG. 2

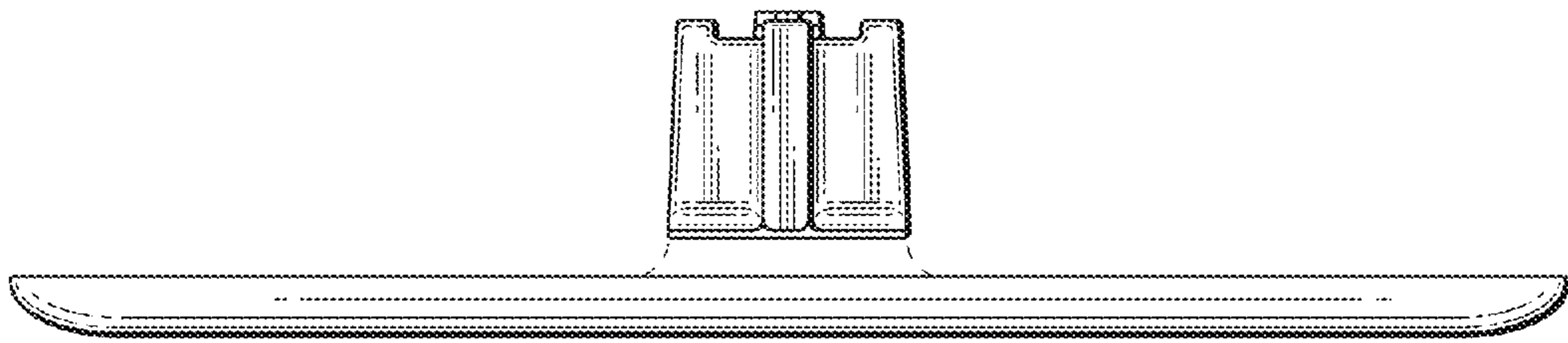


FIG. 3

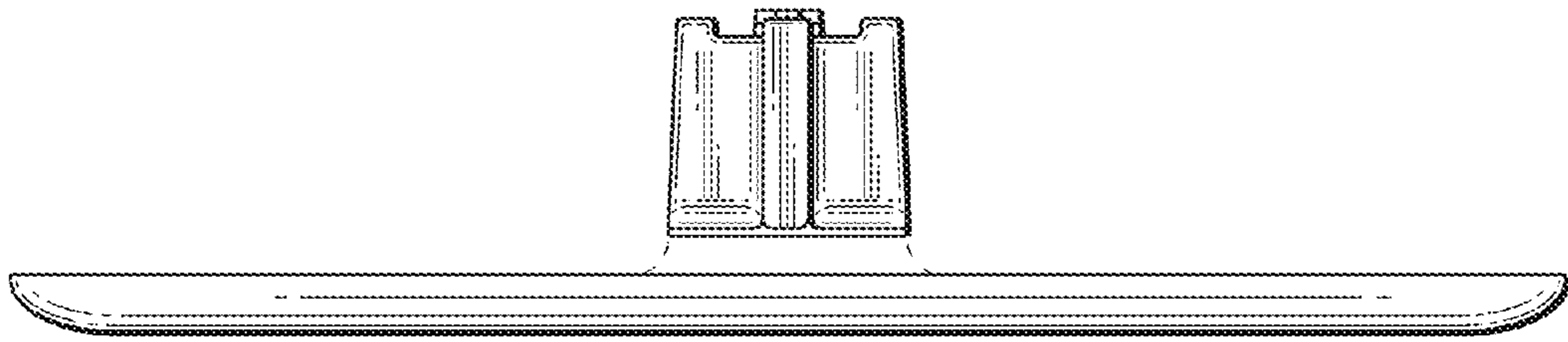


FIG. 4

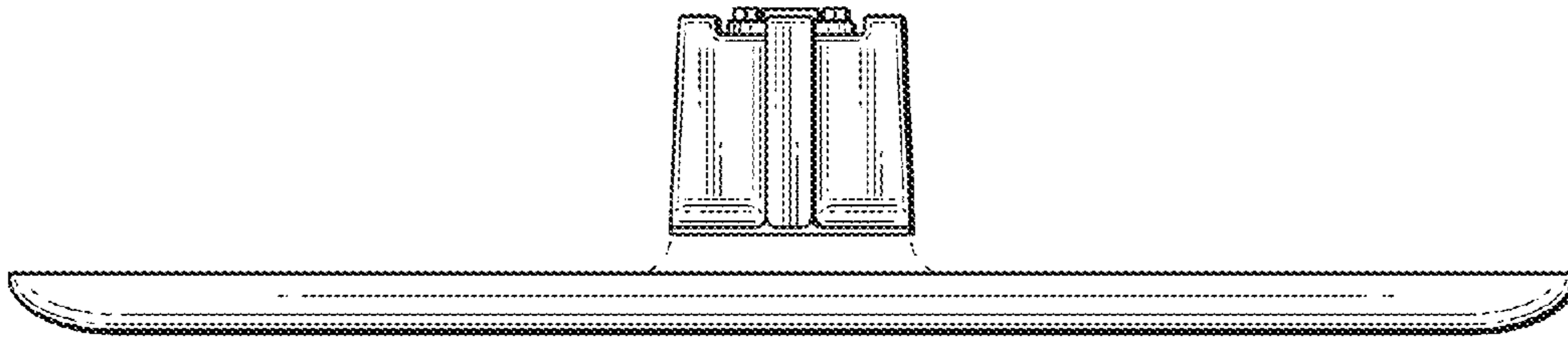


FIG. 5

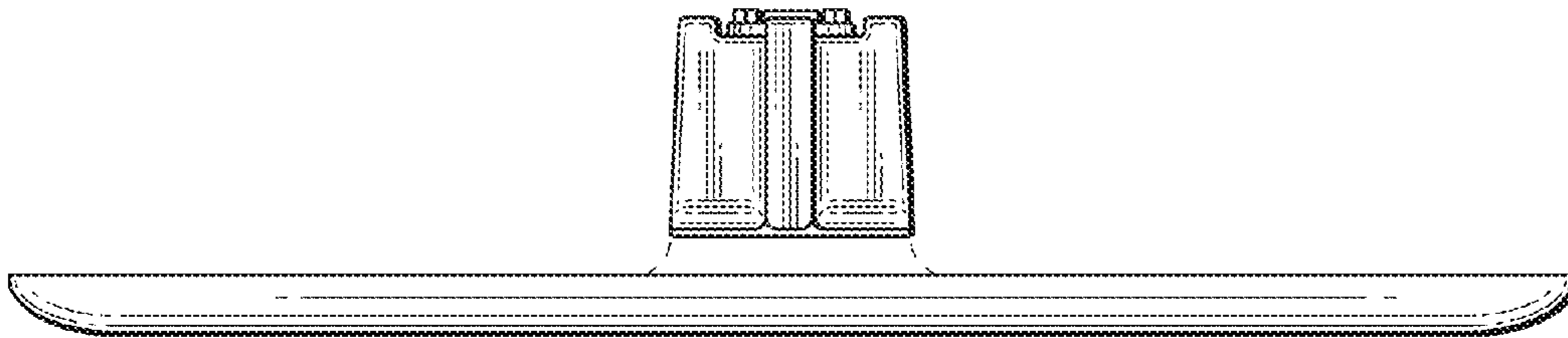


FIG. 6

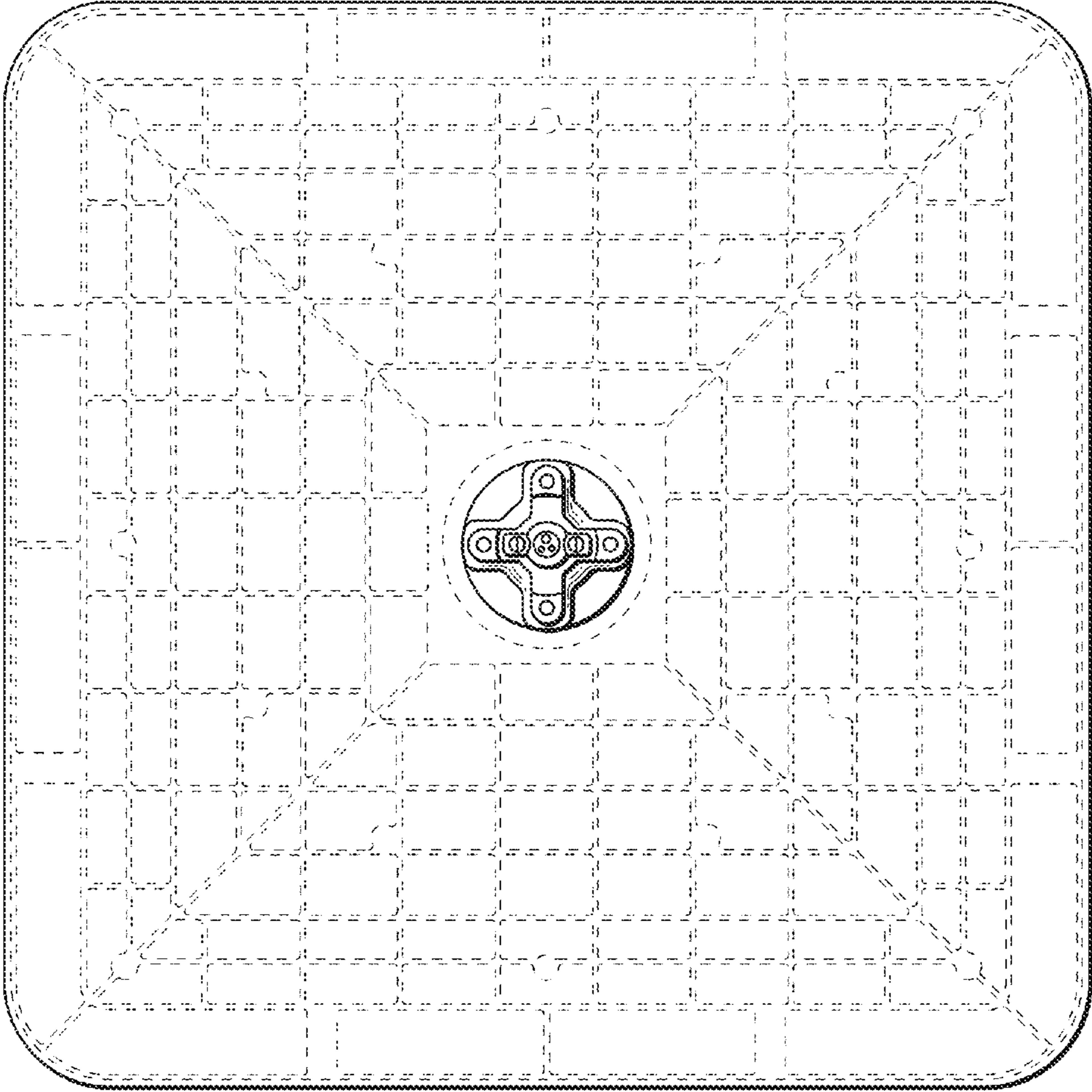


FIG. 7