



US00D729968S

(12) **United States Design Patent**
Szalontai et al.

(10) **Patent No.:** **US D729,968 S**

(45) **Date of Patent:** **** May 19, 2015**

(54) **OUTDOOR LIGHTING FIXTURE**

(71) Applicant: **HEI Technology International GmbH**,
Vienna (AT)

(72) Inventors: **Tibor Szalontai**, Zalaegerszeg (HU);
Dieter Hornbacher, Vienna (AT)

(73) Assignee: **HEI Technology International GmbH**,
Vienna (AT)

(**) Term: **14 Years**

(21) Appl. No.: **29/476,997**

(22) Filed: **Dec. 18, 2013**

(30) **Foreign Application Priority Data**

Jun. 19, 2013 (EM) 002258194-0007
Jun. 19, 2013 (EM) 002258194-0008

(51) **LOC (10) Cl.** **26-05**

(52) **U.S. Cl.**
USPC **D26/71**

(58) **Field of Classification Search**
CPC F21V 15/01; F21V 17/107; F21V 19/02;
F21S 8/033; F21S 8/043; F21S 8/085; F21S
8/086; F21S 8/088; F21W 2131/103; F21W
2131/107
USPC D26/69, 70, 71, 72, 85, 92, 118;
362/431, 432
See application file for complete search history.

(56) **References Cited**

U.S. PATENT DOCUMENTS

D201,764 S * 7/1965 Mox D26/71
D209,081 S * 10/1967 Netland D26/71
D228,667 S * 10/1973 Anderson D26/71
5,055,985 A * 10/1991 Fabbri 362/221
D598,160 S * 8/2009 Boyer et al. D26/138
D598,161 S * 8/2009 Boyer et al. D26/138
D645,190 S * 9/2011 Van Klinken et al. D26/71

D691,759 S * 10/2013 Boyer et al. D26/71
D700,987 S * 3/2014 Nepple et al. D26/71
2008/0002399 A1 * 1/2008 Villard et al. 362/184
2008/0137327 A1 * 6/2008 Hodulik 362/183
2008/0285265 A1 * 11/2008 Boissevain 362/218
2009/0103288 A1 * 4/2009 Boyer et al. 362/153.1
2010/0165615 A1 * 7/2010 Aarts et al. 362/227
2011/0060701 A1 * 3/2011 Verfueth et al. 705/500
2013/0148360 A1 * 6/2013 Jeon et al. 362/294
2014/0254149 A1 * 9/2014 Wang et al. 362/235
2014/0254156 A1 * 9/2014 Hsu et al. 362/249.1

* cited by examiner

Primary Examiner — Clare E Heflin

(74) *Attorney, Agent, or Firm* — Christie, Parker & Hale,
LLP

(57) **CLAIM**

The ornamental design for outdoor lighting fixture, as shown
and described.

DESCRIPTION

FIG. 1 is a side perspective view of an outdoor lighting
fixture;
FIG. 2 is a top view thereof;
FIG. 3 is a right side view (the left side view being a mirror
image thereof) thereof;
FIG. 4 is a bottom view thereof;
FIG. 5 is a front view thereof;
FIG. 6 is a rear view thereof;
FIG. 7 is a side perspective view of another embodiment of an
outdoor lighting fixture;
FIG. 8 is a top view thereof;
FIG. 9 is a right side view (the left side view being a mirror
image thereof) thereof;
FIG. 10 is a bottom view thereof;
FIG. 11 is a front view thereof; and,
FIG. 12 is a rear view thereof.
The broken lines in the drawings are for illustrative purposes
only, and form no part of the claimed design.

1 Claim, 5 Drawing Sheets

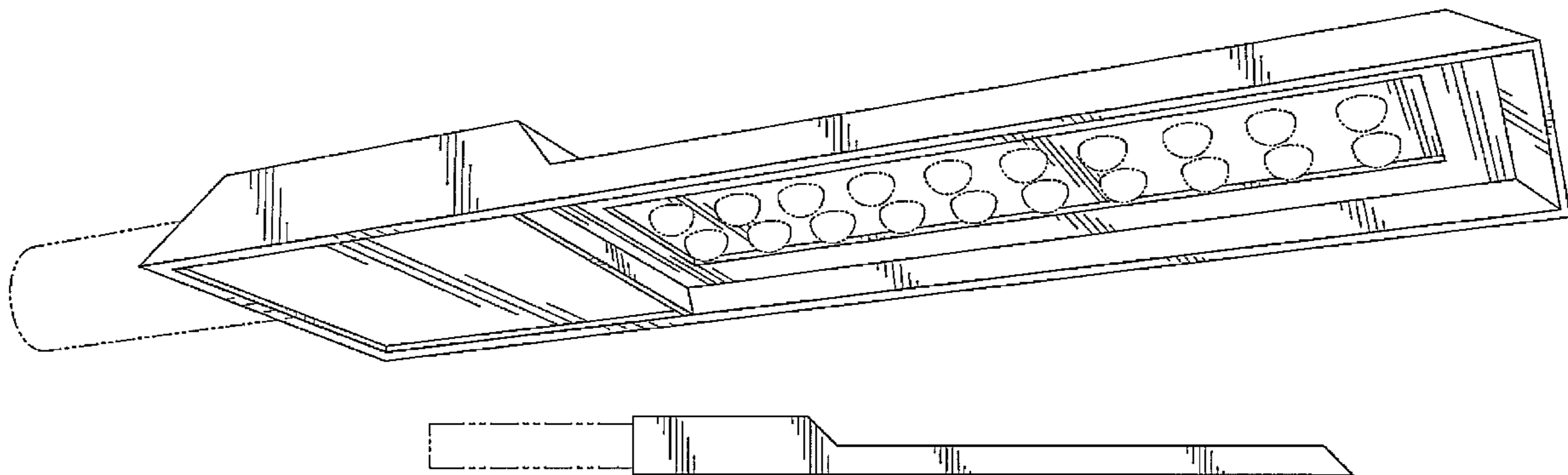


FIG. 1

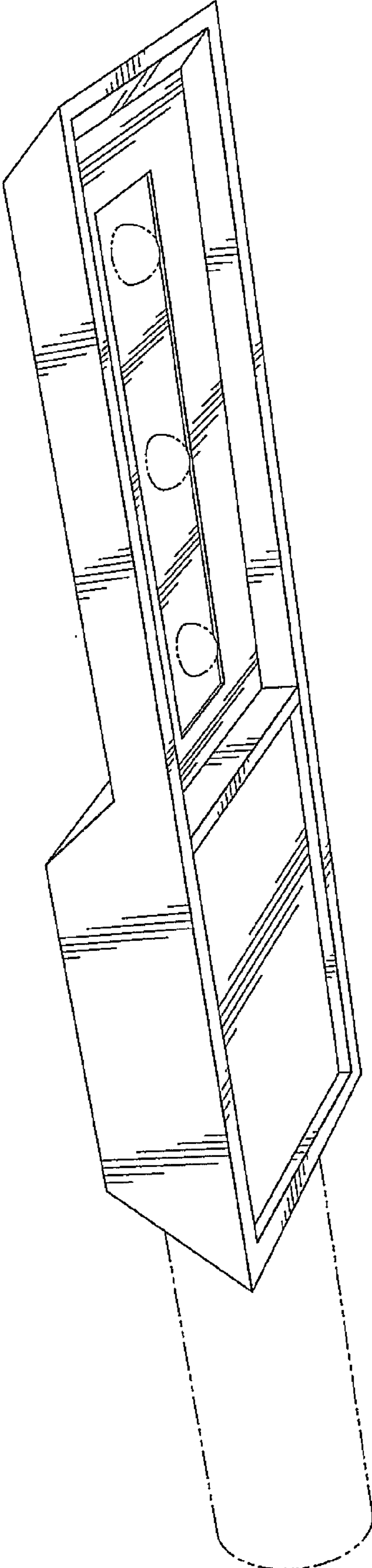


FIG. 2

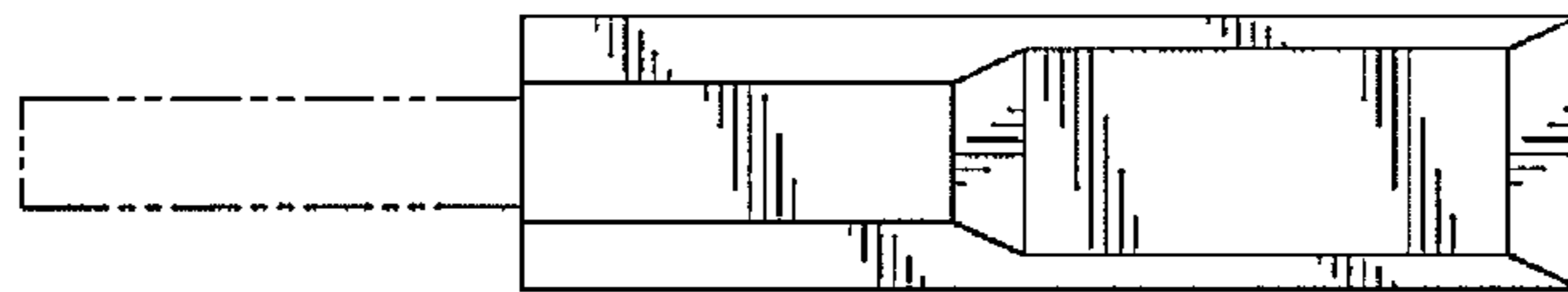


FIG. 6



FIG. 3



FIG. 5



FIG. 4

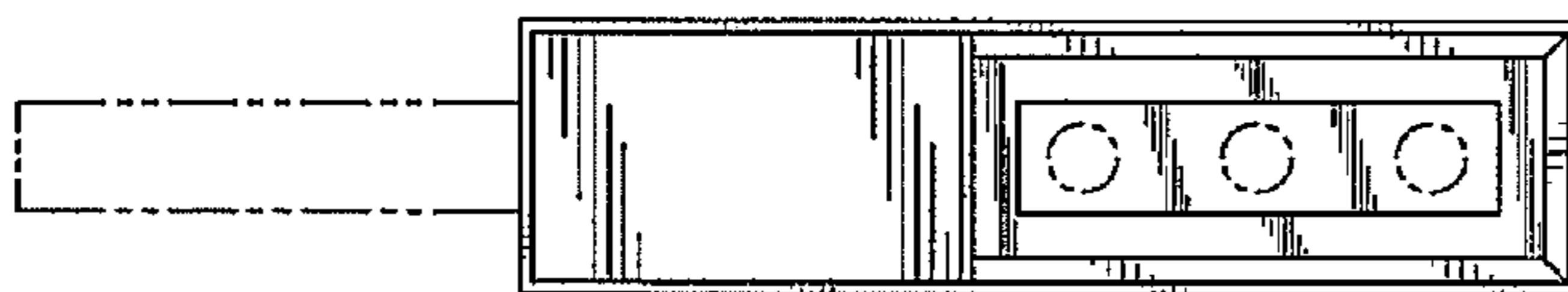


FIG. 7

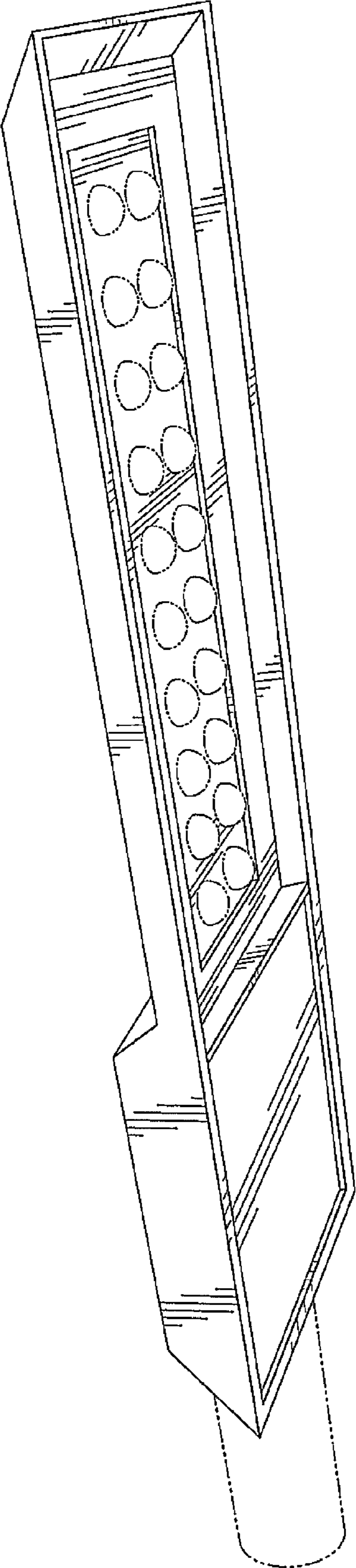


FIG. 8

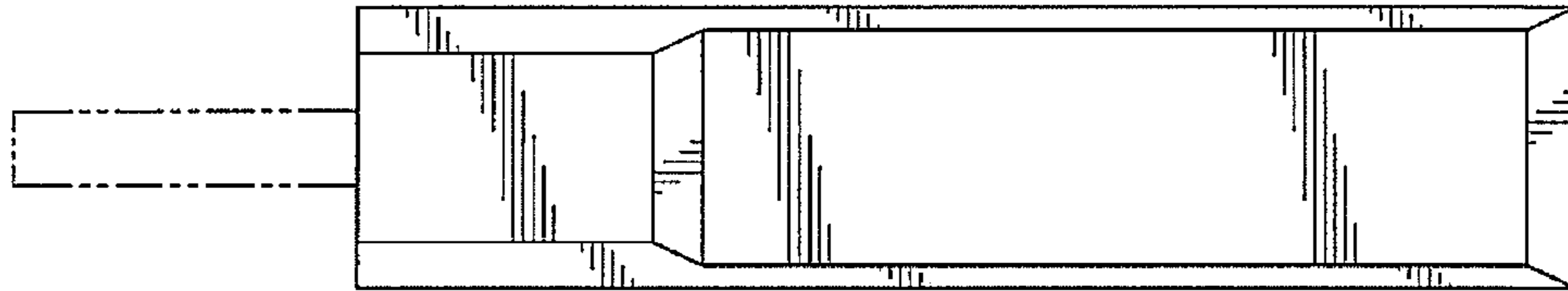


FIG. 9



FIG. 10

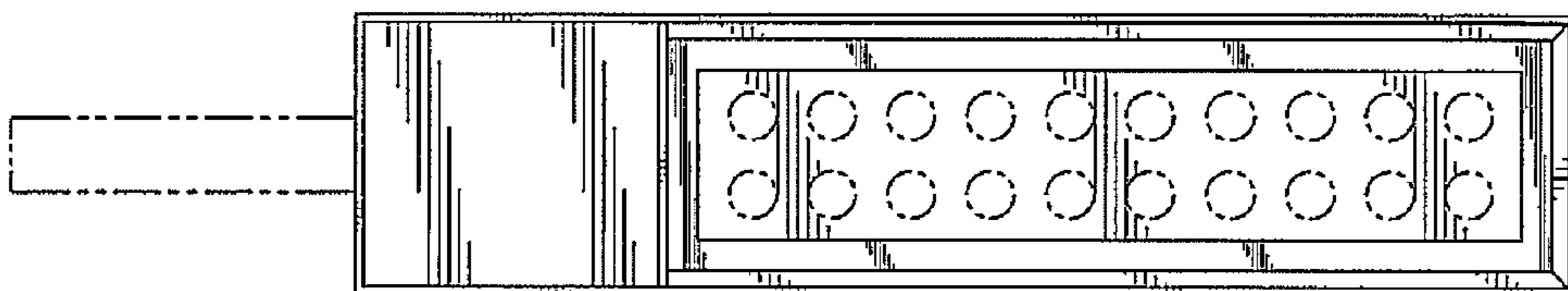


FIG. 11

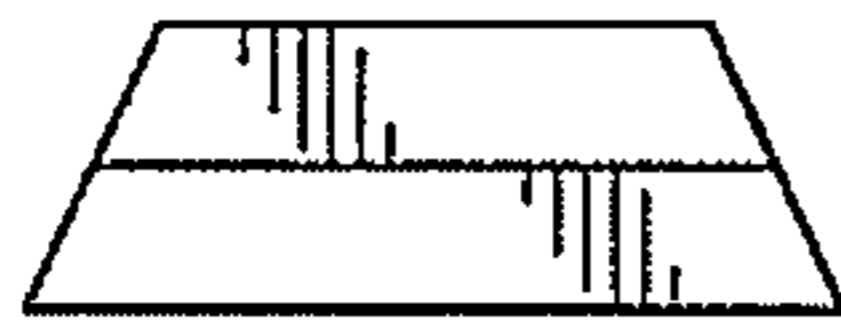


FIG. 12

