



US00D729965S

(12) **United States Design Patent**  
**Recker et al.**

(10) **Patent No.:** **US D729,965 S**

(45) **Date of Patent:** **\*\* May 19, 2015**

(54) **SPOTLIGHT**

(71) Applicants: **Michael V Recker**, Gaithersburg, MD (US); **David B Levine**, Pepper Pike, OH (US)

(72) Inventors: **Michael V Recker**, Gaithersburg, MD (US); **David B Levine**, Pepper Pike, OH (US)

(73) Assignee: **WIRELESS ENVIRONMENT, LLC**, Solon, OH (US)

(\*\*) Term: **14 Years**

(21) Appl. No.: **29/455,578**

(22) Filed: **May 22, 2013**

(51) **LOC (10) Cl.** ..... **26-03**

(52) **U.S. Cl.**  
USPC ..... **D26/63**

(58) **Field of Classification Search**  
CPC ..... F21V 21/14; F21V 15/01; F21V 14/02;  
F21V 21/30; F21V 21/00; F21V 14/00;  
F21S 8/00; F21S 8/003; F21S 8/043; F21Y  
2105/001  
USPC ..... D26/1, 24, 61, 63, 65, 85, 92  
See application file for complete search history.

(56) **References Cited**

**U.S. PATENT DOCUMENTS**

|              |         |               |       |        |
|--------------|---------|---------------|-------|--------|
| D234,801 S * | 4/1975  | Gore et al.   | ..... | D26/63 |
| D316,303 S * | 4/1991  | Layne         | ..... | D26/63 |
| D407,518 S * | 3/1999  | Yeh           | ..... | D26/63 |
| D693,500 S * | 11/2013 | Souvay et al. | ..... | D26/61 |
| D698,477 S * | 1/2014  | Korpi         | ..... | D26/63 |

**OTHER PUBLICATIONS**

UltraBright Outdoor Security Spotlight product page. Available at <http://www.mrbeams.com/new-upcoming-products/25-ultrabright-outdoor-security-spotlight-mb390>. First published Feb. 1, 2013. 2 pgs.

\* cited by examiner

*Primary Examiner* — Brian N Vinson

(74) *Attorney, Agent, or Firm* — Finnegan, Henderson, Farabow, Garrett & Dunner LLP

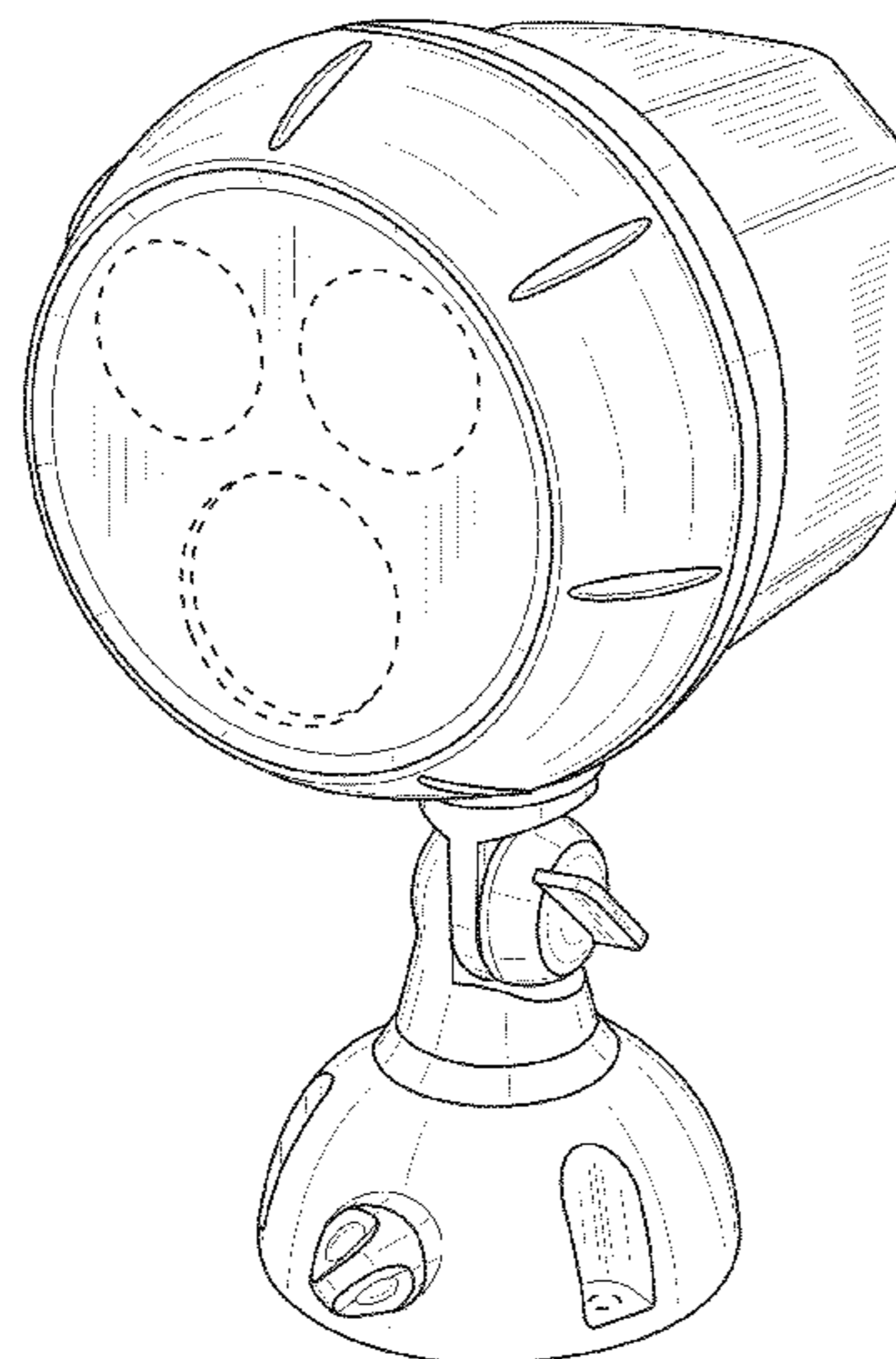
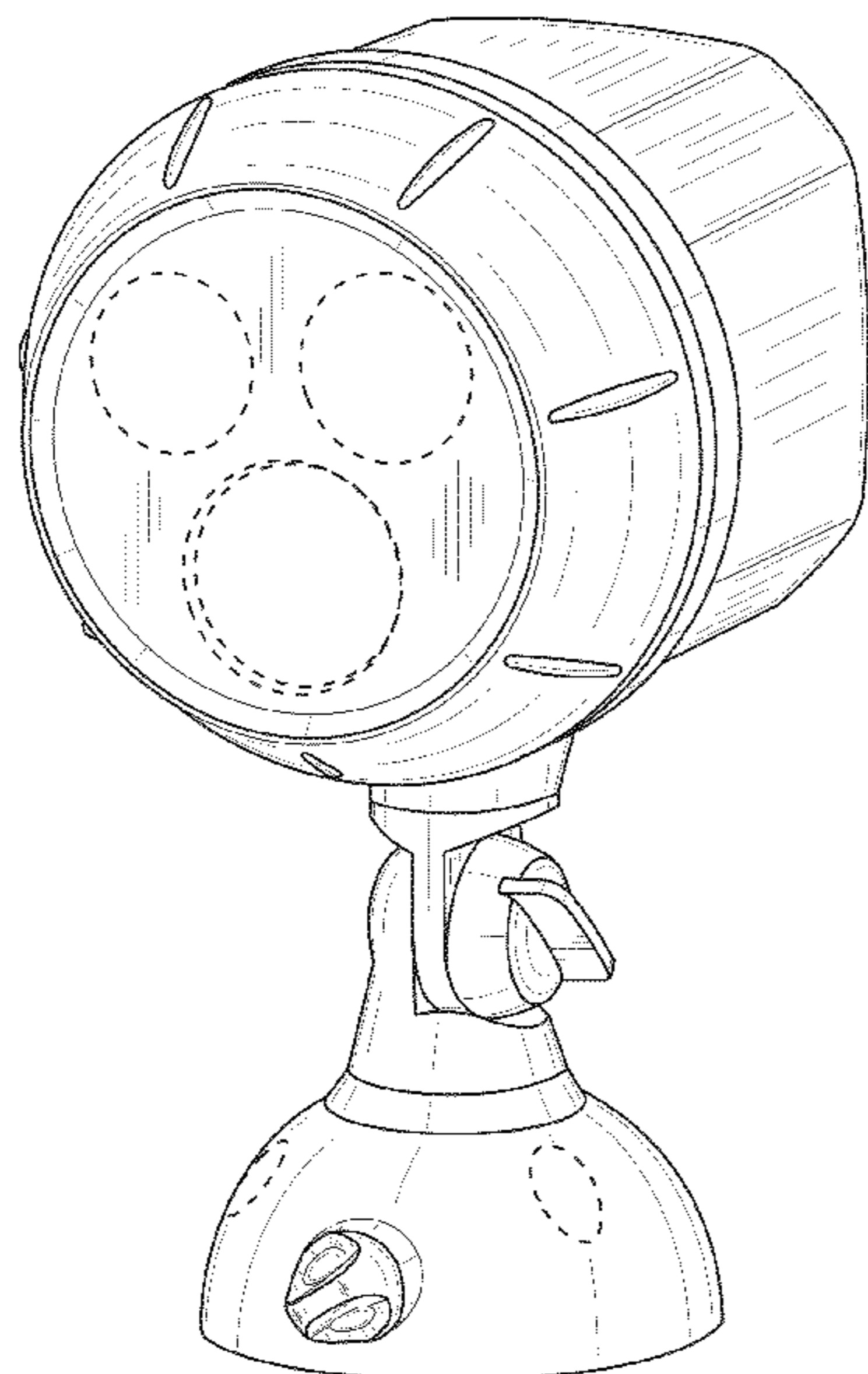
(57) **CLAIM**

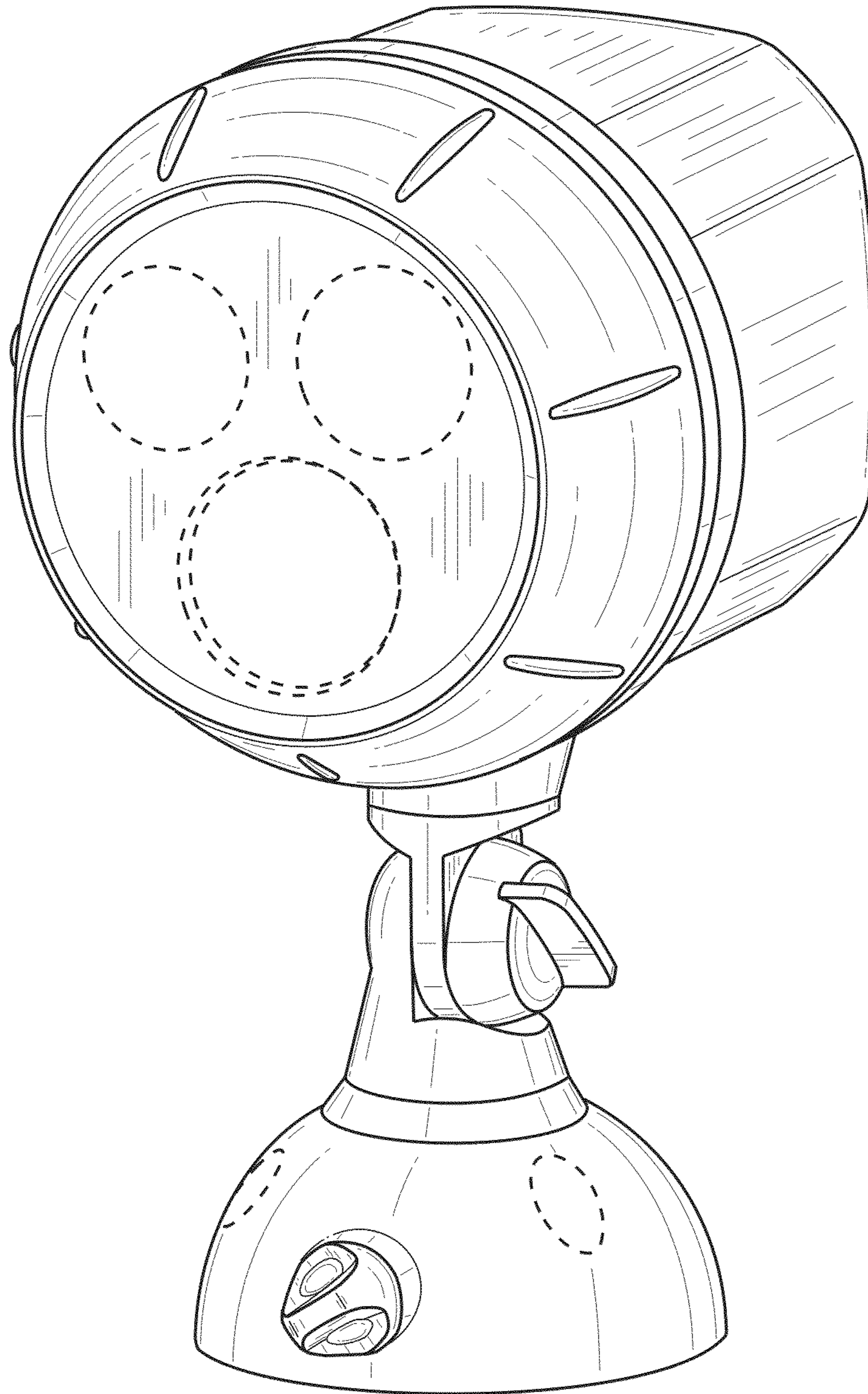
The ornamental design for a spotlight, as shown and described.

**DESCRIPTION**

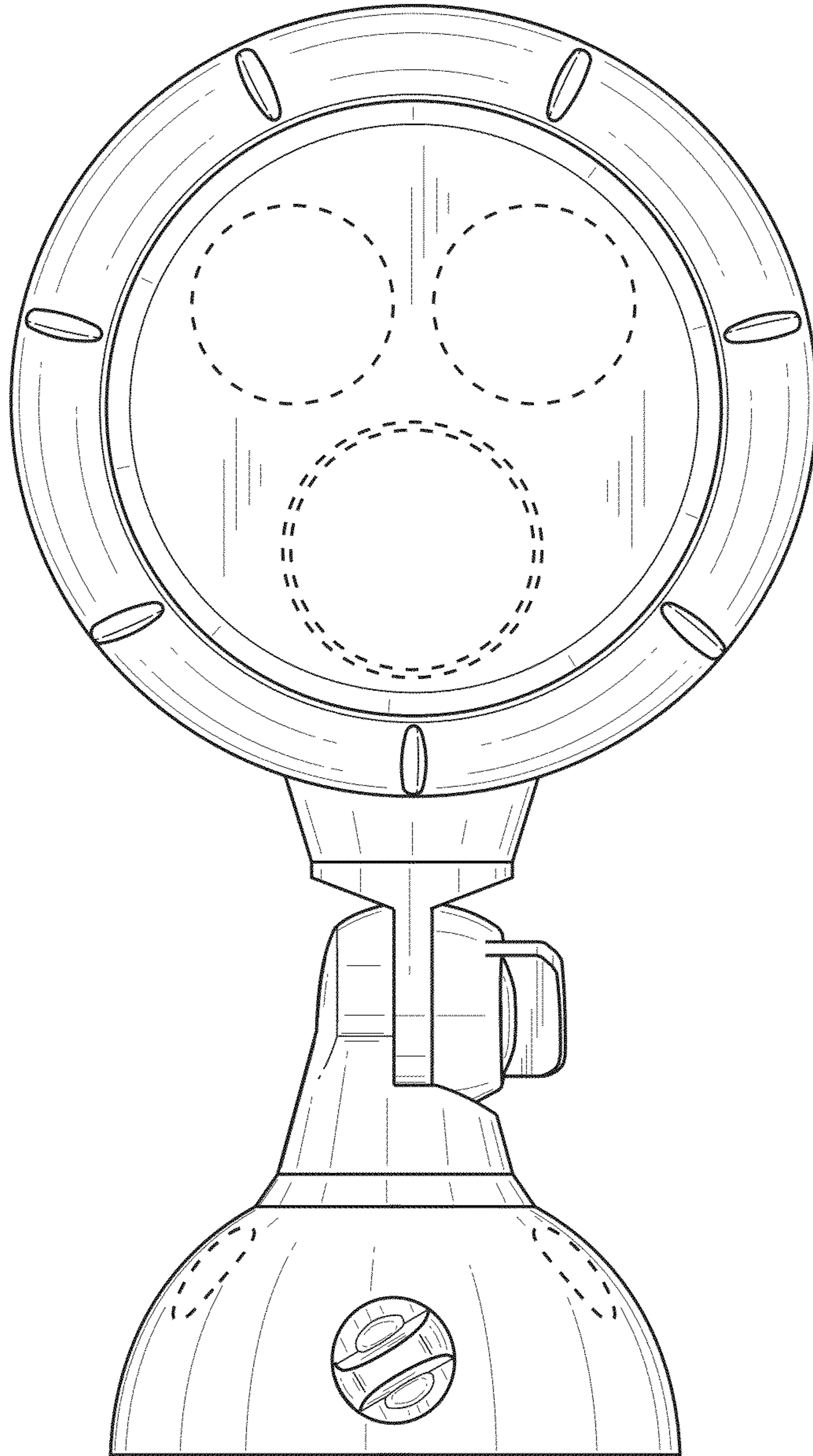
FIG. 1 is a front right perspective view of a first embodiment of a spotlight showing our new design; FIG. 2 is a front elevation view thereof; FIG. 3 is a rear view thereof; FIG. 4 is a top view thereof; FIG. 5 is a bottom view thereof; FIG. 6 is a right side view thereof; FIG. 7 is a left side view thereof; FIG. 8 is a front right perspective view of the second embodiment of a spotlight showing our new design; FIG. 9 is front elevation view thereof; FIG. 10 is rear view thereof; FIG. 11 is top view thereof; FIG. 12 is a bottom view thereof; FIG. 13 is a right side view thereof; and, FIG. 14 is a left side view thereof. The elements depicted in broken lines form no part of the claimed design.

**1 Claim, 14 Drawing Sheets**

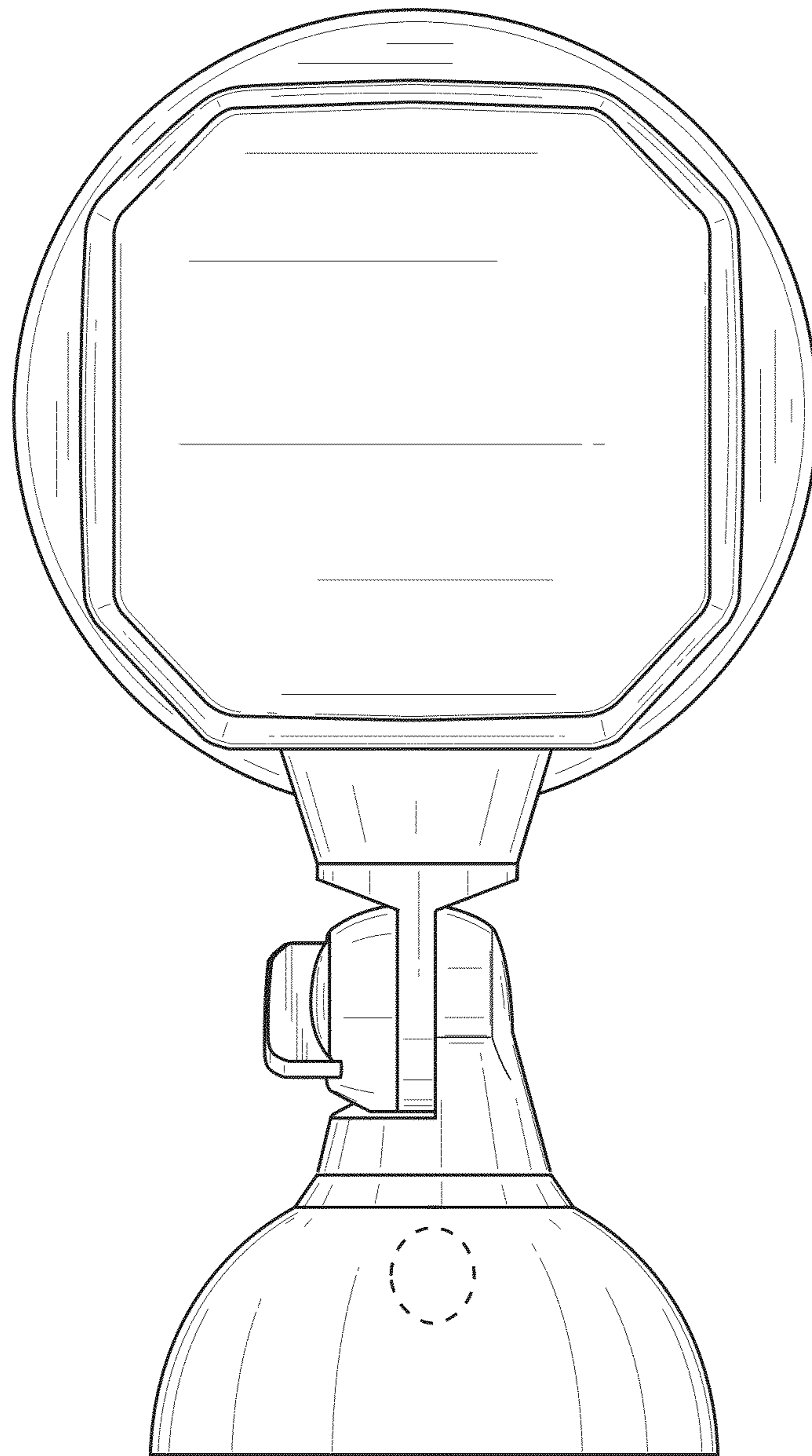




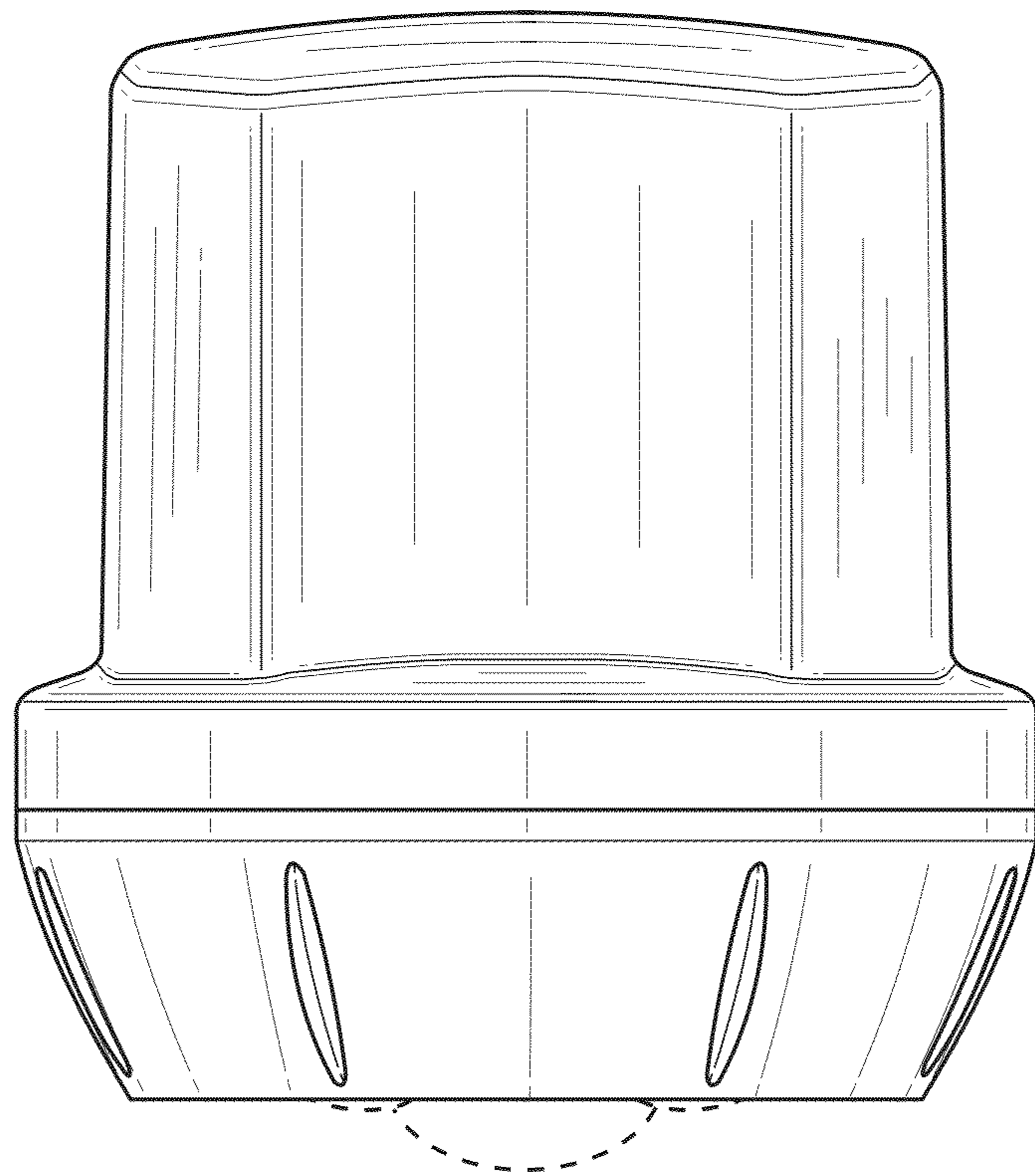
**FIG. 1**



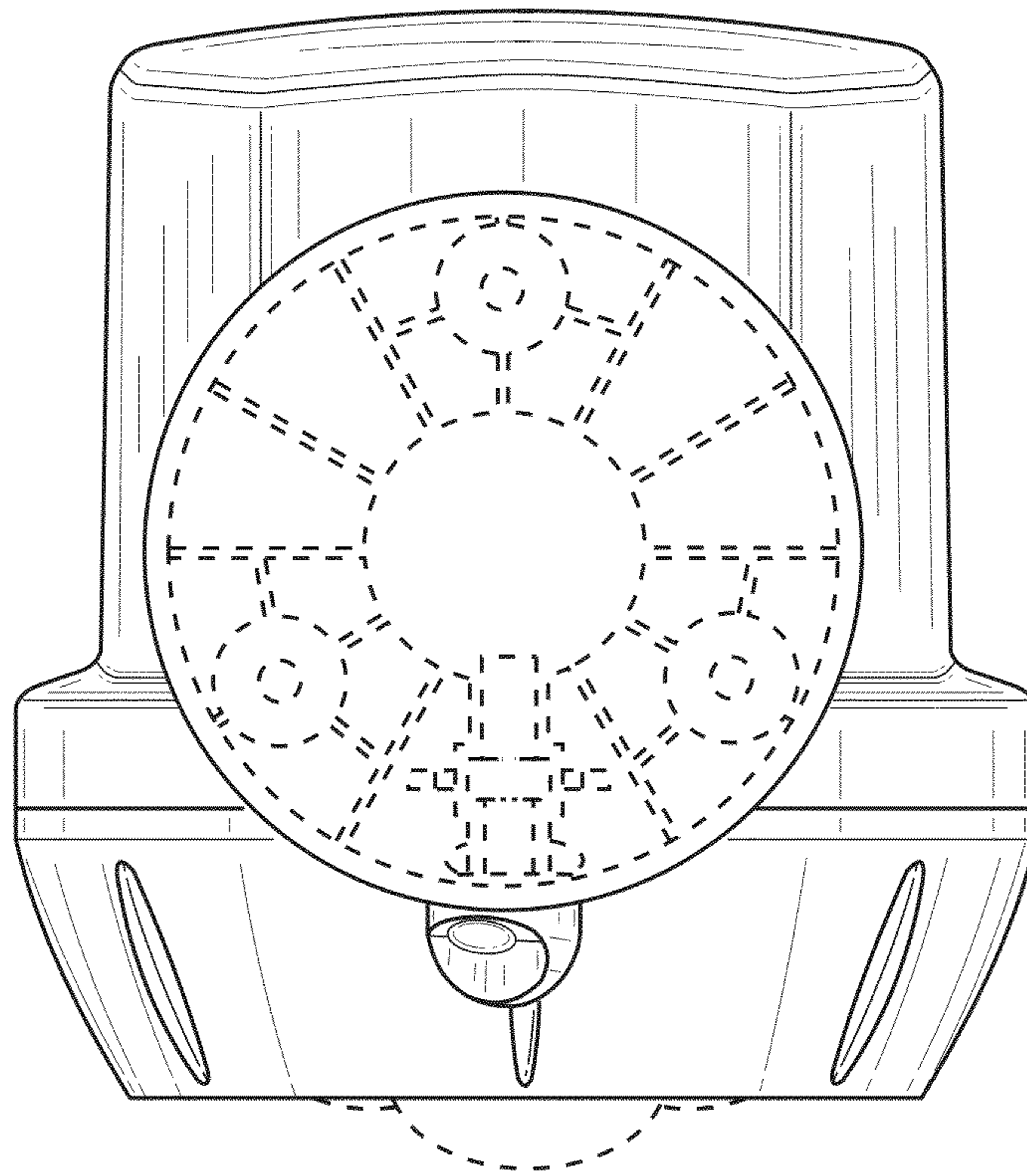
**FIG. 2**



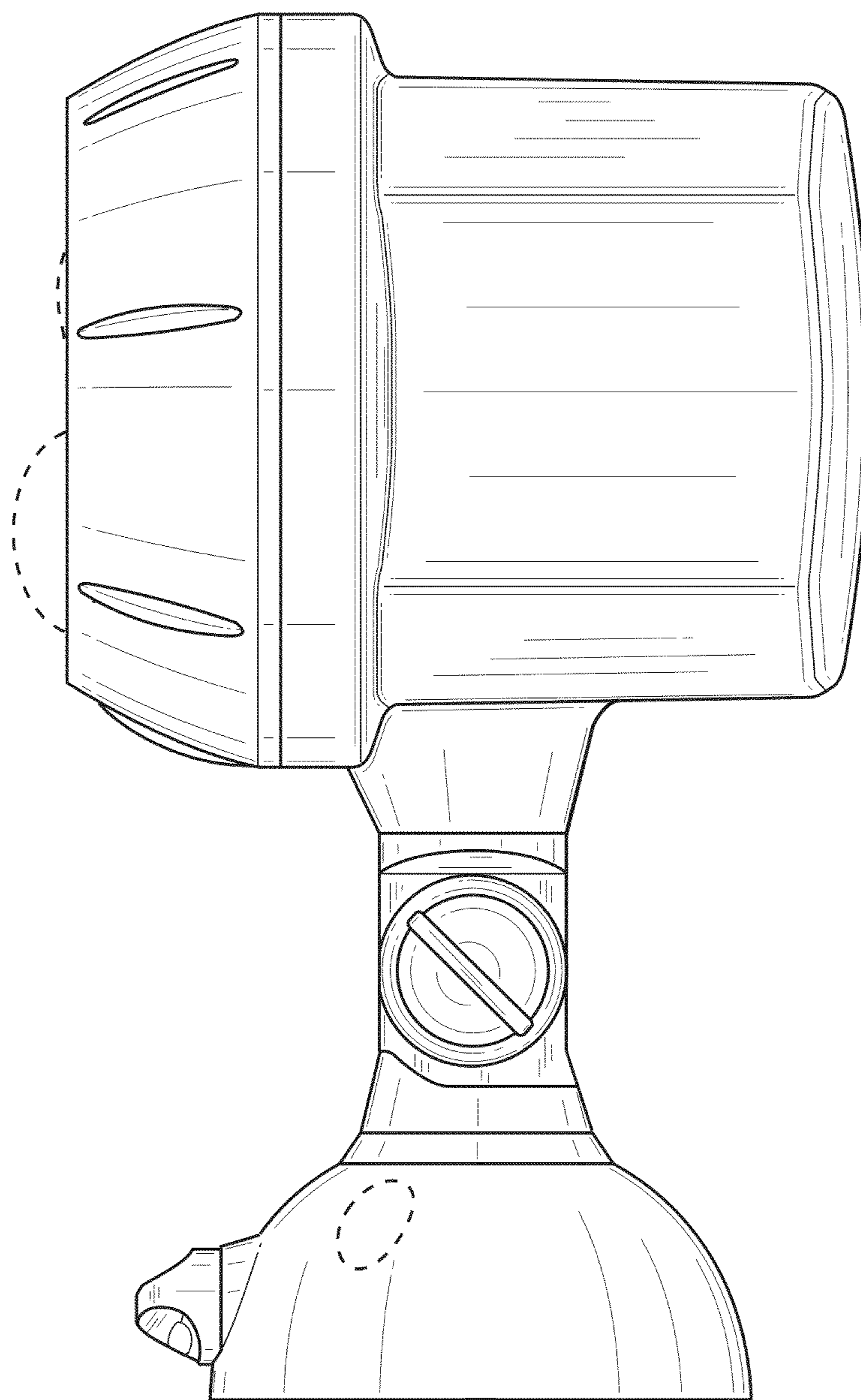
**FIG. 3**



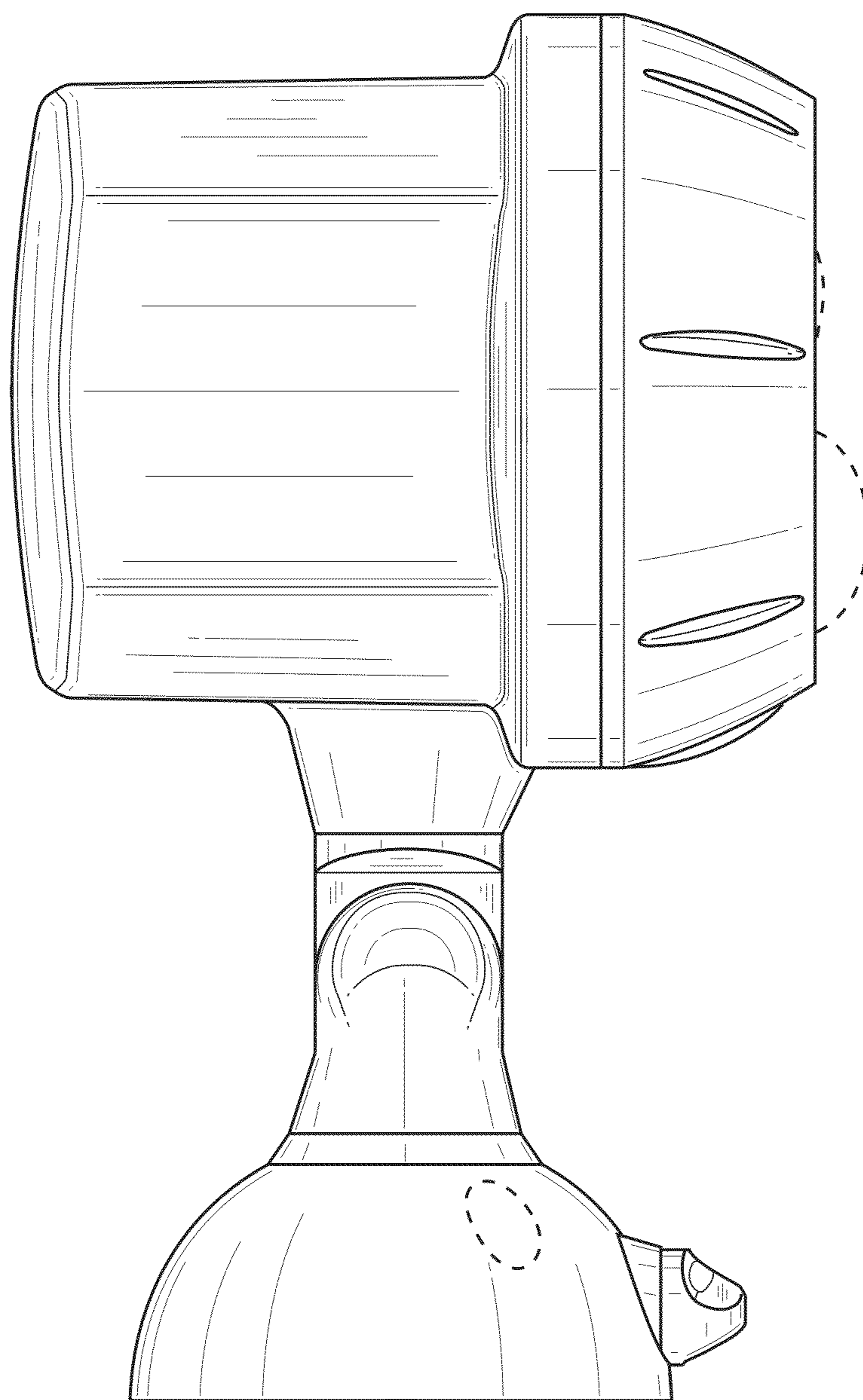
**FIG. 4**



**FIG. 5**

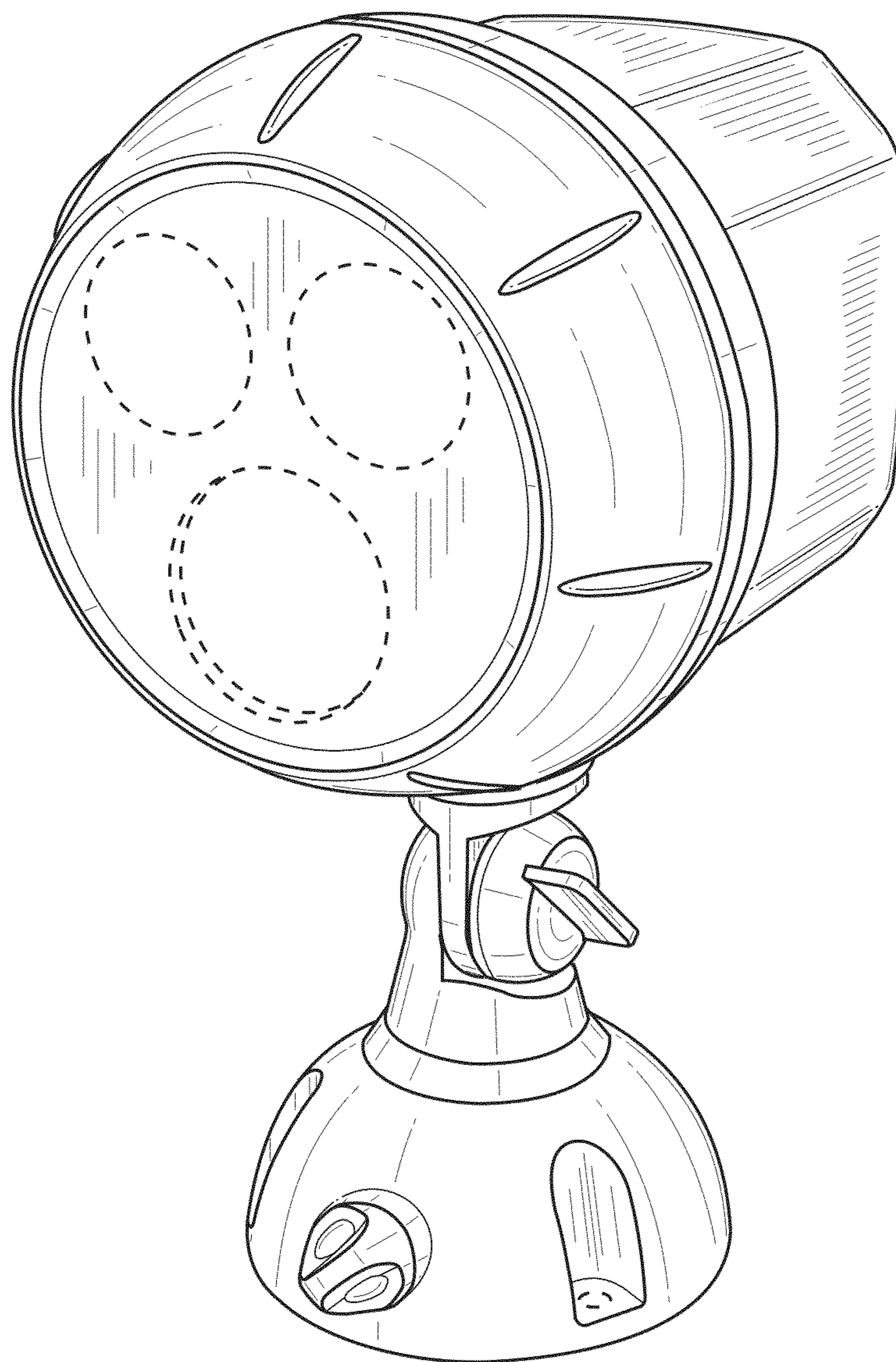


**FIG. 6**

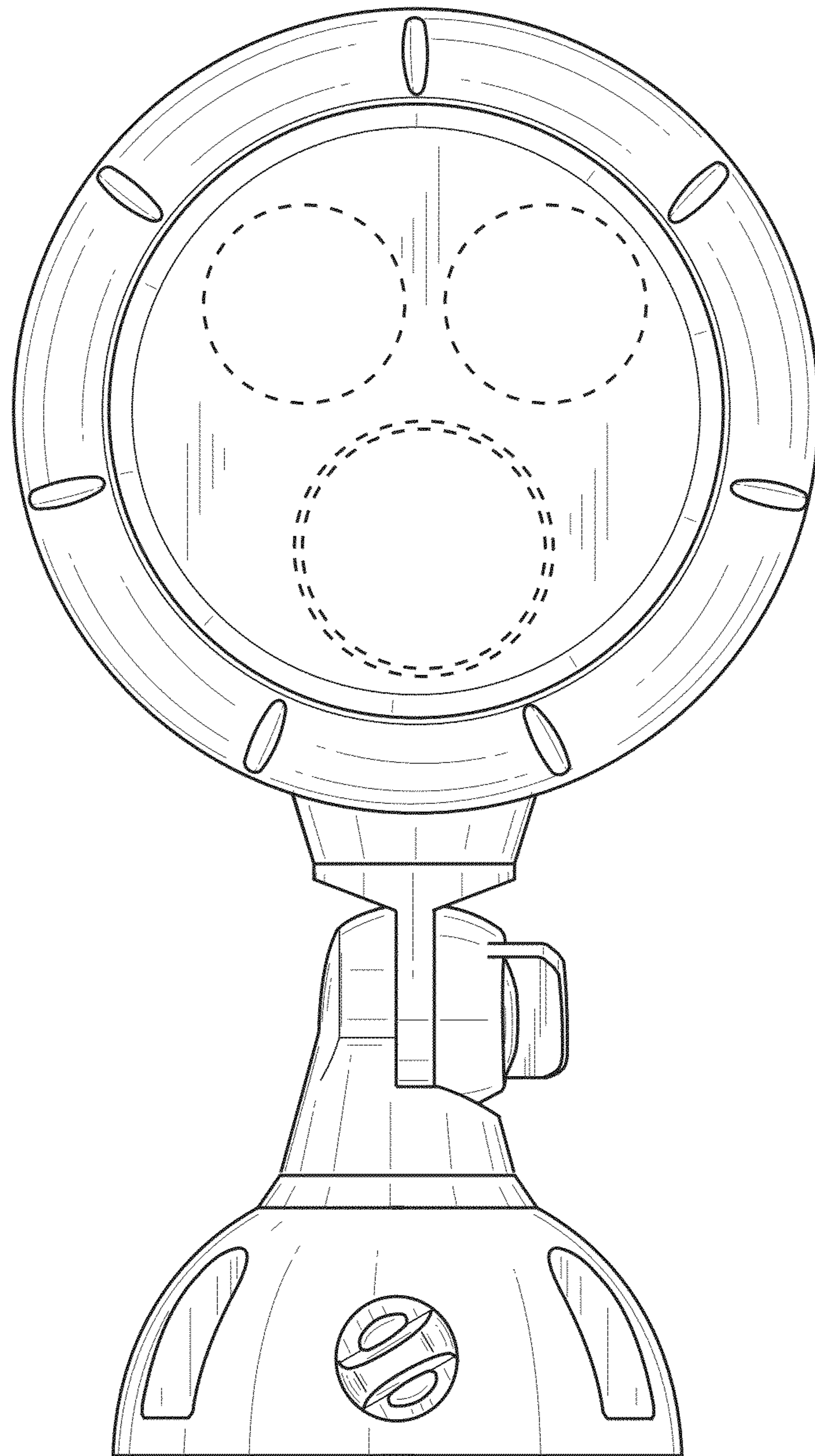


**FIG. 7**

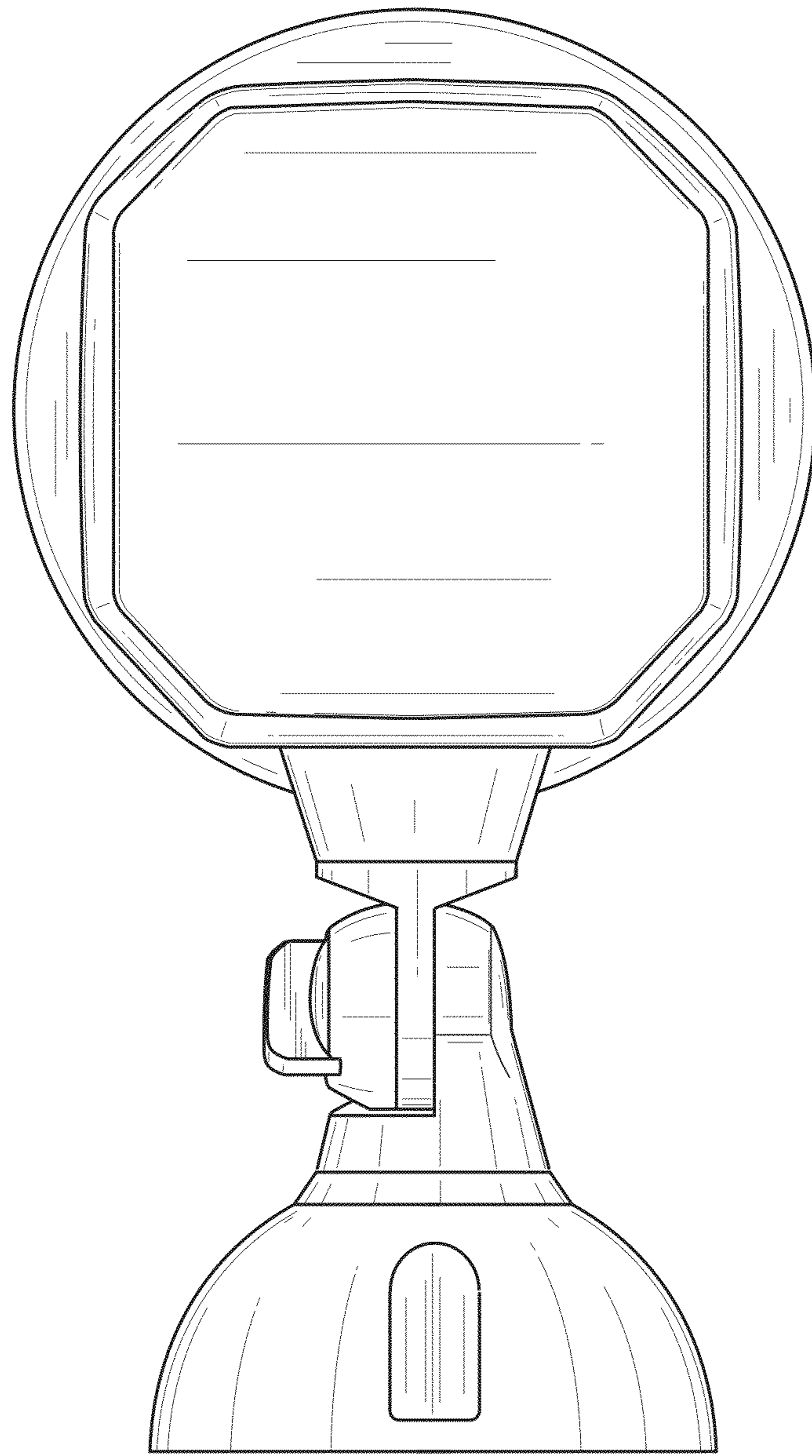




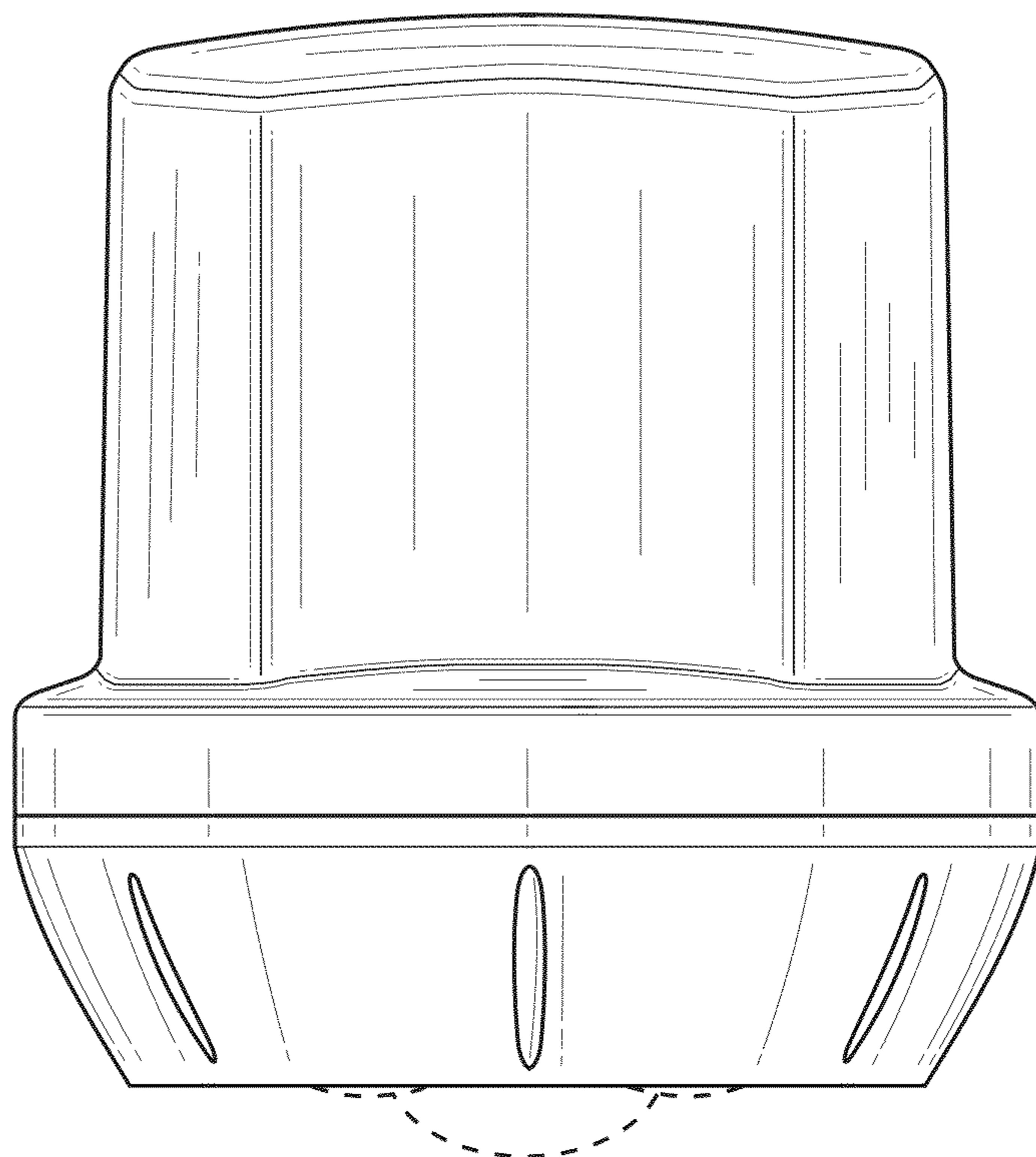
**FIG. 8**



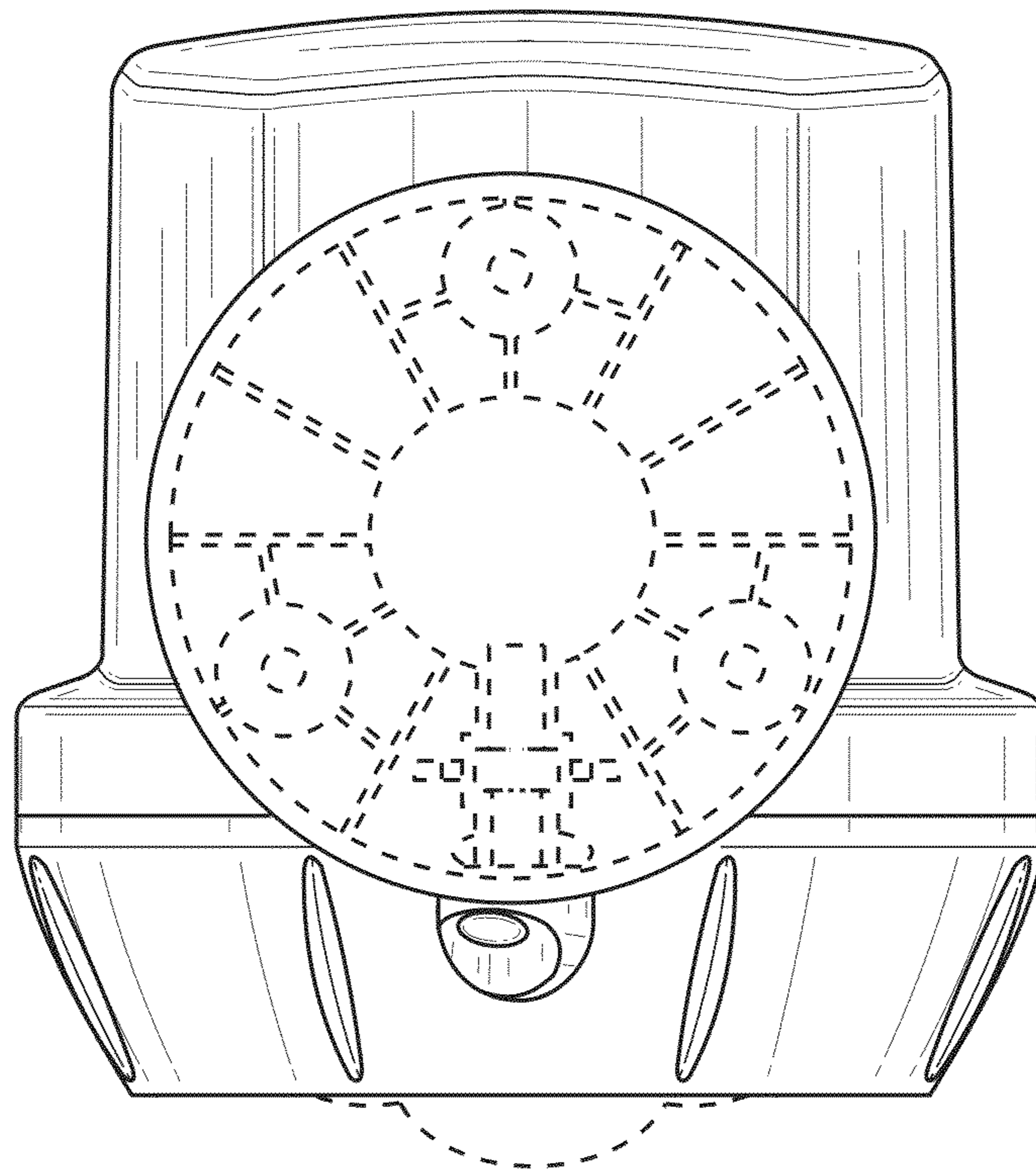
**FIG. 9**



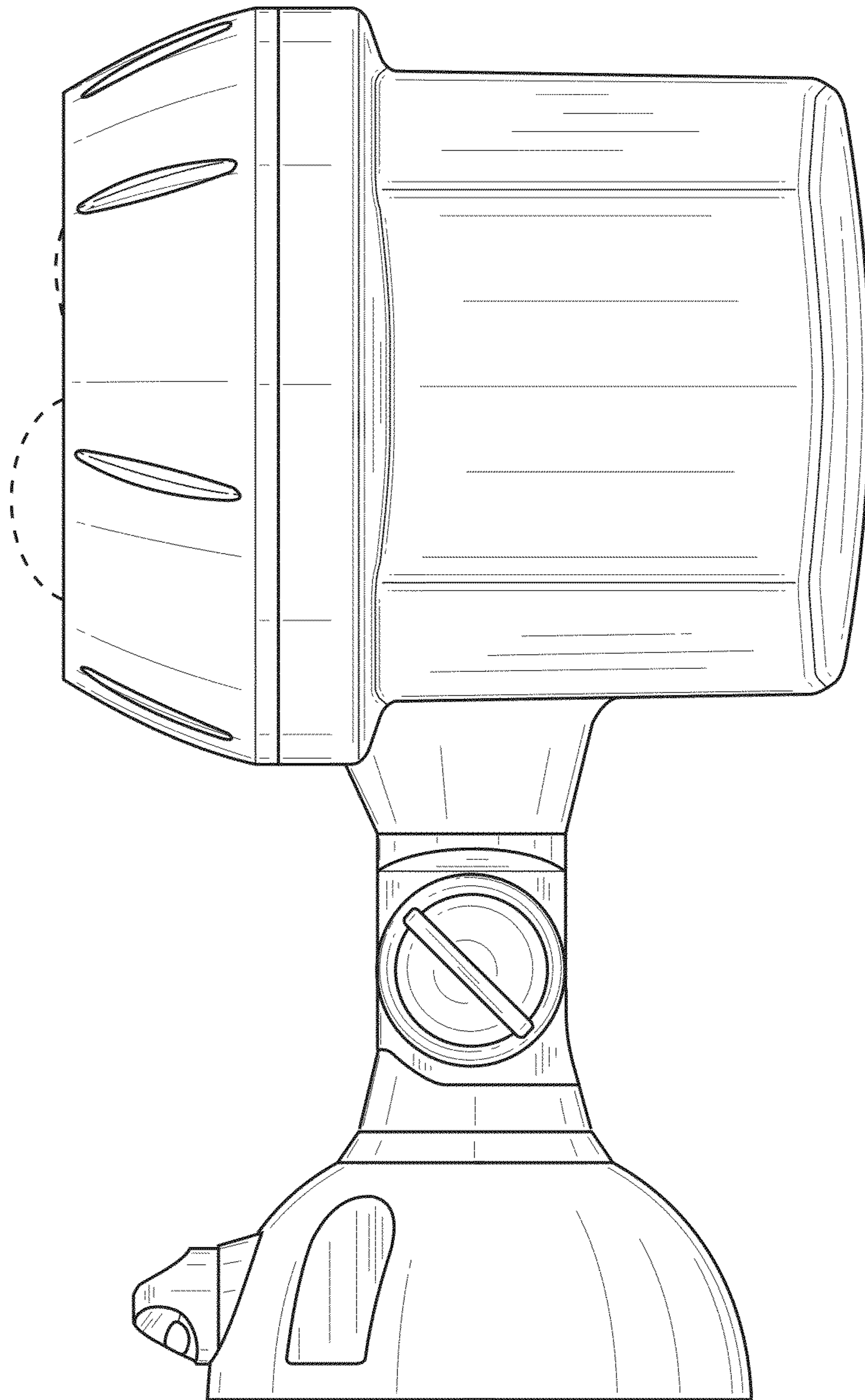
**FIG. 10**



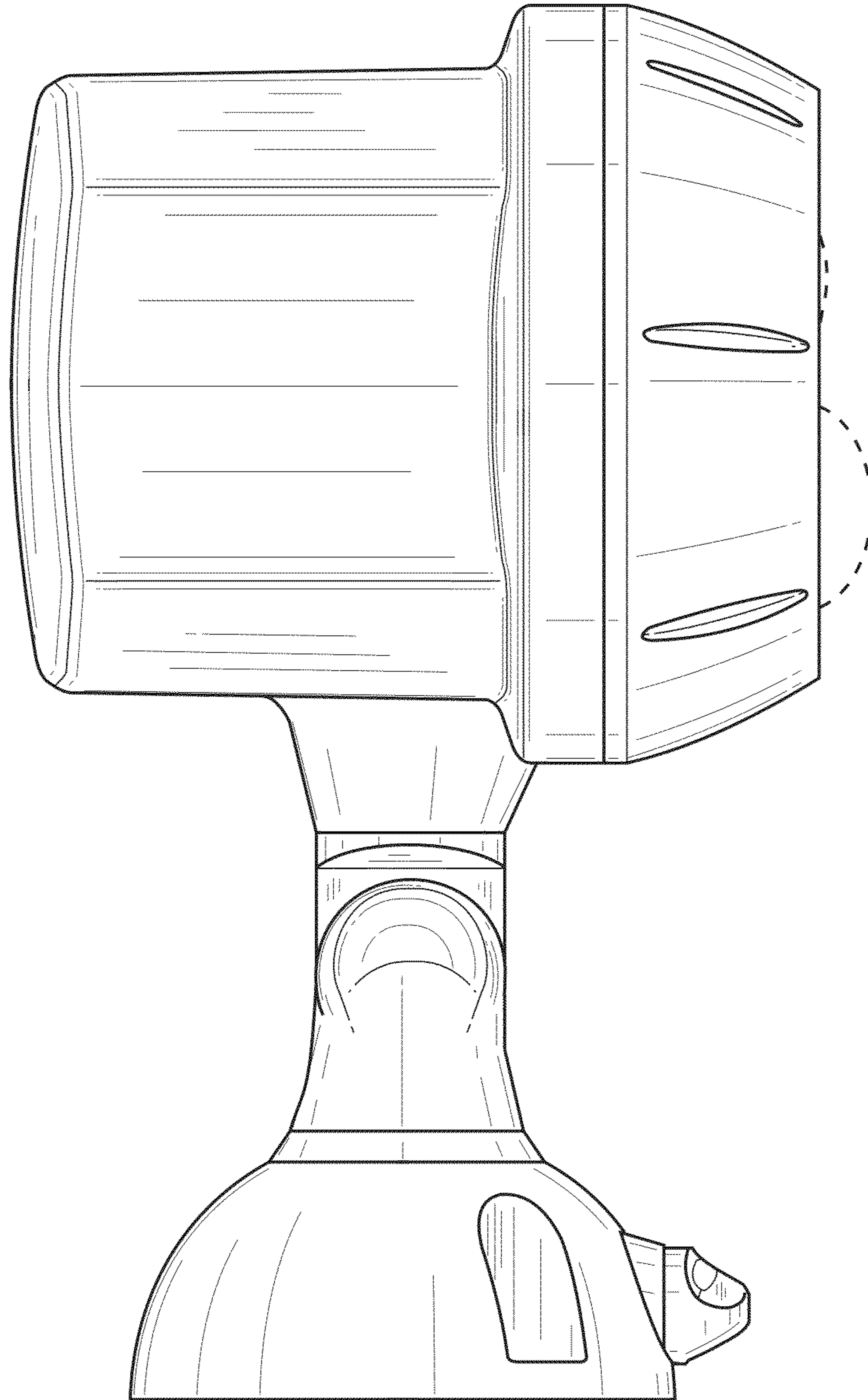
**FIG. 11**



**FIG. 12**



**FIG. 13**



**FIG. 14**