

US00D729963S

(12) **United States Design Patent**
Windom

(10) **Patent No.:** **US D729,963 S**

(45) **Date of Patent:** **** May 19, 2015**

(54) **PEN LIGHT**

(75) **Inventor:** **Gregory David Windom**, Portland, OR
(US)

(73) **Assignee:** **COAST CUTLERY CO.**, Portland, OR
(US)

(**) **Term:** **14 Years**

(21) **Appl. No.:** **29/419,060**

(22) **Filed:** **Apr. 24, 2012**

(51) **LOC (10) Cl.** **26-02**

(52) **U.S. Cl.**

USPC **D26/49**; D26/38

(58) **Field of Classification Search**

USPC D26/37, 38, 44, 45, 46, 48, 49, 51, 52;
362/157, 158, 183, 184, 194-196,
362/200-208, 253; D22/134

See application file for complete search history.

(56) **References Cited**

U.S. PATENT DOCUMENTS

D229,854 S *	1/1974	Bajusz	D26/49
D244,796 S *	6/1977	Staub	D26/49
D252,170 S *	6/1979	Simmons	D26/49
D308,109 S *	5/1990	Maglica et al.	D26/49
D310,425 S	9/1990	Sharrah		
D368,786 S *	4/1996	Van Cort	D26/49
D417,022 S *	11/1999	Chiu	D26/49
D419,254 S *	1/2000	Chiu	D26/49
D419,704 S *	1/2000	Ting	D26/37
D430,321 S *	8/2000	Sharrah	D26/37
D452,024 S *	12/2001	Sharrah	D26/49
6,402,340 B1	6/2002	Sharrah et al.		
6,491,409 B1	12/2002	Sharrah et al.		
D468,850 S	1/2003	Sharrah et al.		
D479,888 S	9/2003	Sharrah et al.		
D486,930 S *	2/2004	Stoddard et al.	D26/37
6,811,280 B1 *	11/2004	Sharrah et al.	362/202
D499,499 S *	12/2004	Cetera	D26/37
6,857,758 B1	2/2005	Sharrah et al.		

6,874,908 B2	4/2005	Sharrah et al.		
6,886,960 B2	5/2005	Sharrah et al.		
D507,364 S *	7/2005	Lo	D26/37
D508,748 S *	8/2005	Man	D26/37
D518,906 S *	4/2006	Stoddard et al.	D26/37
D521,164 S *	5/2006	Sharrah	D26/37
7,083,300 B2	8/2006	Sharrah et al.		

(Continued)

OTHER PUBLICATIONS

MidwayUSA, Inc. Website, Streamlight Stylus Flashlight White LED Aluminum Black, Copyright 2012, <http://www.midwayusa.com/product/482880/streamlight-stylus-flashlight-white-led-aluminum-black>.

(Continued)

Primary Examiner — Ian Simmons

Assistant Examiner — Carissa C Fitts

(74) *Attorney, Agent, or Firm* — Schwabe Williamson & Wyatt

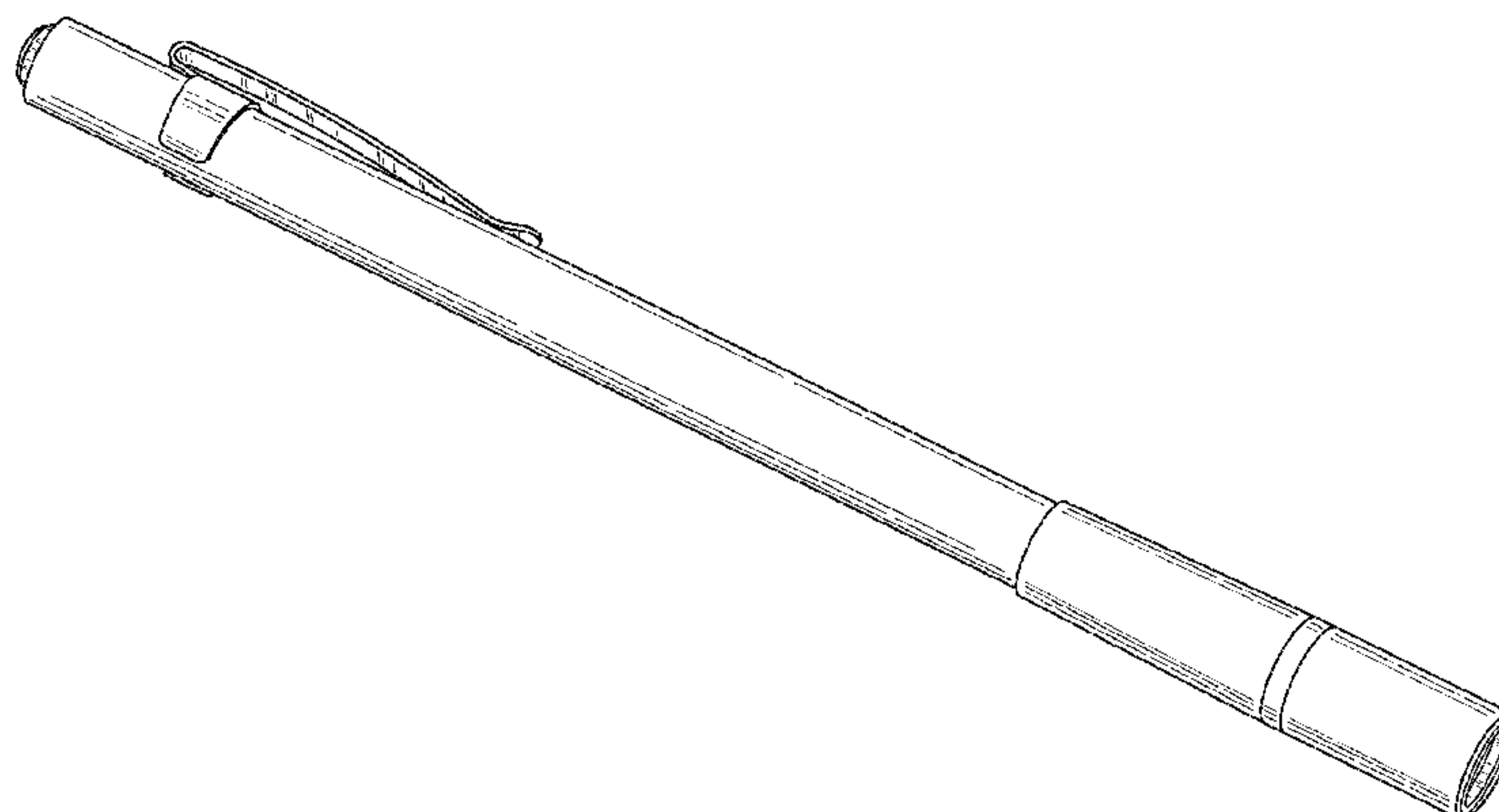
(57) **CLAIM**

The ornamental design for a pen light, as shown and described.

DESCRIPTION

FIG. 1 is a perspective view of the pen light, showing my new design;
FIG. 2 is a different perspective view of the pen light illustrated in FIG. 1;
FIG. 3 is a top view of the pen light illustrated in FIG. 1;
FIG. 4 is a bottom view of the pen light illustrated in FIG. 1;
FIG. 5 is a right side view of the pen light illustrated in FIG. 1, the left side view being a mirror image of the right side view;
FIG. 6 is an enlarged front view of the pen light illustrated in FIG. 1; and,
FIG. 7 is an enlarged rear view of the pen light illustrated in FIG. 1.

1 Claim, 4 Drawing Sheets



(56)

References Cited

U.S. PATENT DOCUMENTS

D530,030	S *	10/2006	Chou	D26/37
D548,837	S *	8/2007	Oikawa	D24/158
D548,863	S *	8/2007	Shiu	D26/37
D562,481	S *	2/2008	Yick	D26/49
D572,656	S *	7/2008	Schein	D13/108
D578,236	S *	10/2008	Dalton	D26/49
D590,881	S *	4/2009	Slemp	D19/51
D603,541	S *	11/2009	Shiu	D26/49
7,652,216	B2	1/2010	Sharrah et al.		
D612,968	S *	3/2010	Ma	D26/49
D622,428	S *	8/2010	Crawford et al.	D26/37
7,880,100	B2	2/2011	Sharrah et al.		
7,954,978	B2	6/2011	Sharrah et al.		
D649,275	S *	11/2011	Crawford et al.	D26/49
D676,170	S *	2/2013	Feng et al.	D26/38
2006/0181870	A1	8/2006	Sharrah et al.		
2009/0323344	A1	12/2009	Crawford et al.		

OTHER PUBLICATIONS

MidwayUSA, Inc. Website, Streamlight MicroStream Flashlight White LED Aluminum Matte, Copyright 2012, <http://www.midwayusa.com/product/168600/streamlight-microstream-flashlight-white-led-aluminum-matte>.

MidwayUSA, Inc. Website, Streamlight Stylus Reach Flashlight UL Listed White LED Aluminum Black, Copyright 2012, <http://www.midwayusa.com/product/425034/streamlight-stylus-reach-flashlight-ul-listed-white-led-aluminum-black>.

MidwayUSA, Inc. Website, Streamlight Stylus Flashlight White LED Aluminum Silver, Copyright 2012, <http://www.midwayusa.com/product/585193/streamlight-stylus-flashlight-white-led-aluminum-silver>.

MidwayUSA, Inc. Website, Streamlight Stylus Flashlight Red LED Aluminum Black, Copyright 2012, <http://www.midwayusa.com/product/466452/streamlight-stylus-flashlight-red-led-aluminum-black>.

MidwayUSA, Inc. Website, Streamlight Stylus Flashlight Green Led Aluminum Black, Copyright 2012, <http://www.midwayusa.com/>

[product/151149/streamlight-stylus-flashlight-green-led-aluminum-black](http://www.midwayusa.com/product/151149/streamlight-stylus-flashlight-green-led-aluminum-black).

MidwayUSA, Inc. Website, Streamlight Stylus Flashlight White Led Aluminum Gold, Copyright 2012, <http://www.midwayusa.com/product/350191/streamlight-stylus-flashlight-white-led-aluminum-gold>.

MidwayUSA, Inc. Website, Streamlight Stylus Flashlight Blue Led Aluminum Black, Copyright 2012, <http://www.midwayusa.com/product/854351/streamlight-stylus-flashlight-blue-led-aluminum-black>.

MidwayUSA, Inc. Website, Streamlight Stylus Reach Flashlight with 18" Cable, White LED Aluminum Black, Copyright 2012, <http://www.midwayusa.com/product/293277/streamlight-stylus-reach-flashlight-with-18-cable-white-led-aluminum-black>.

MidwayUSA, Inc. Website, Streamlight Buckmasters Stylus Pro Flashlight Green LED Aluminum Realtree Hardwoods Blaze Camo, Copyright 2012, <http://www.midwayusa.com/product/918243/streamlight-buckmasters-stylus-pro-flashlight-green-led-aluminum-realtree-hardwoods-blaze-camo>.

MidwayUSA, Inc. Website, Streamlight Buckmasters Stylus Pro Flashlight Green LED Aluminum Realtree Hardwoods Green Camo, Copyright 2012, <http://www.midwayusa.com/product/172221/streamlight-buckmasters-stylus-pro-flashlight-green-led-aluminum-realtree-hardwoods-green-camo>.

MidwayUSA, Inc. Website, Streamlight Polystylus Combo Flashlight White, Red, Green and Blue LEDs Polymer Black, Copyright 2012, <http://www.midwayusa.com/product/692778/streamlight-polystylus-combo-flashlight-white-red-green-and-blue-leds-polymer-black>.

Overton's Inc. Website, Streamlight Stylus Pro LED Pen Light, Copyright 2012, http://www.overtons.com/modperl/product/details.cgi?pdesc=Streamlight-Stylus-Pro-LED-Pen-Light&i=433001&r=view&aID=606E8C&cvsfa=2587&cvsfe=2&cvsfhu=343333303031&s_kwcid=goobasecontent_goobasecontent_filler&cID=SHOPPING_433001.

The LED Light Inc, Stylus III LED Penlights, PolyStylus, the MicroStream, and the Stylus Pro, Copyright 2012, [http:// www.theledlight.com/stylus.html](http://www.theledlight.com/stylus.html).

* cited by examiner

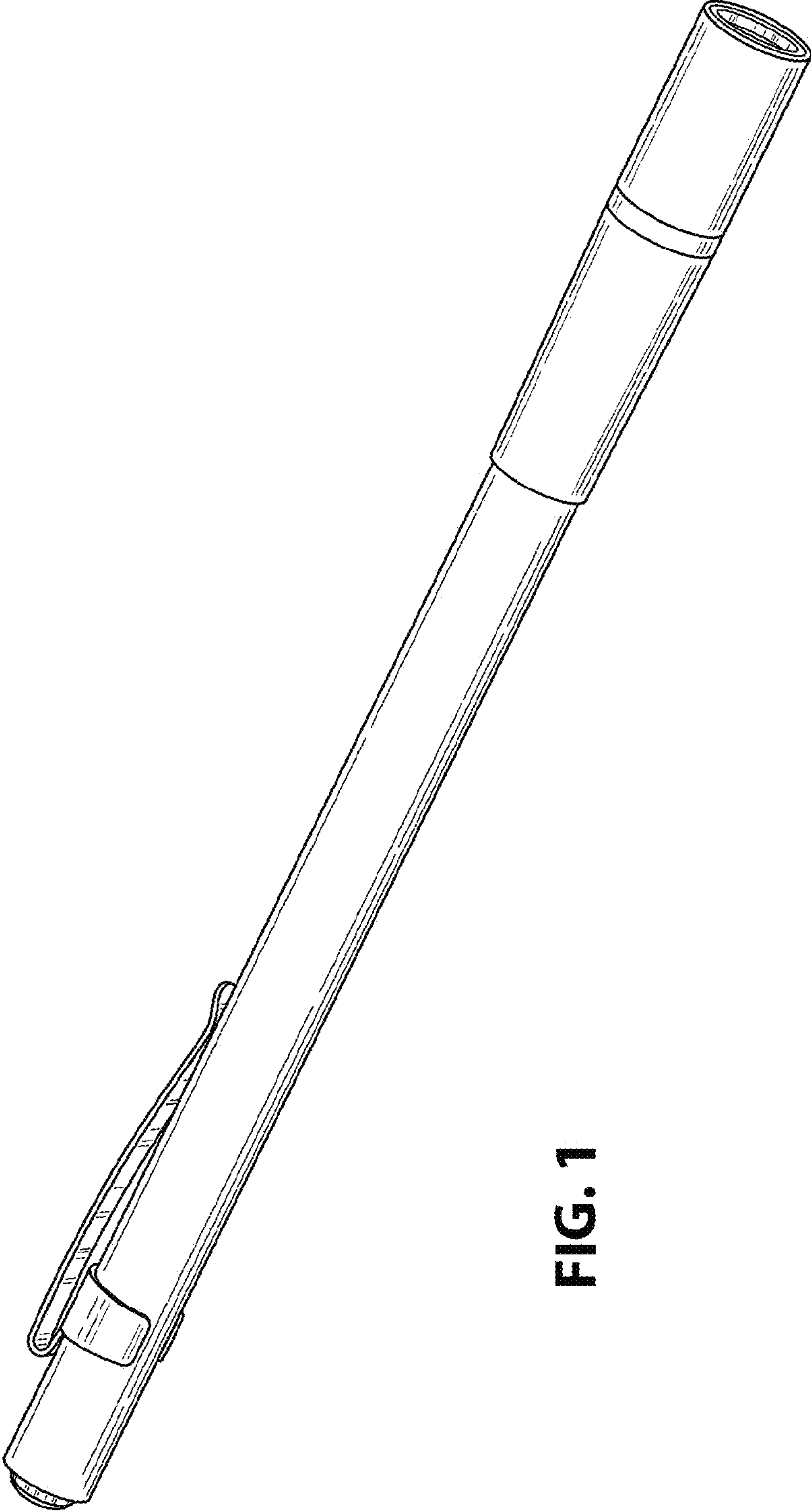


FIG. 1

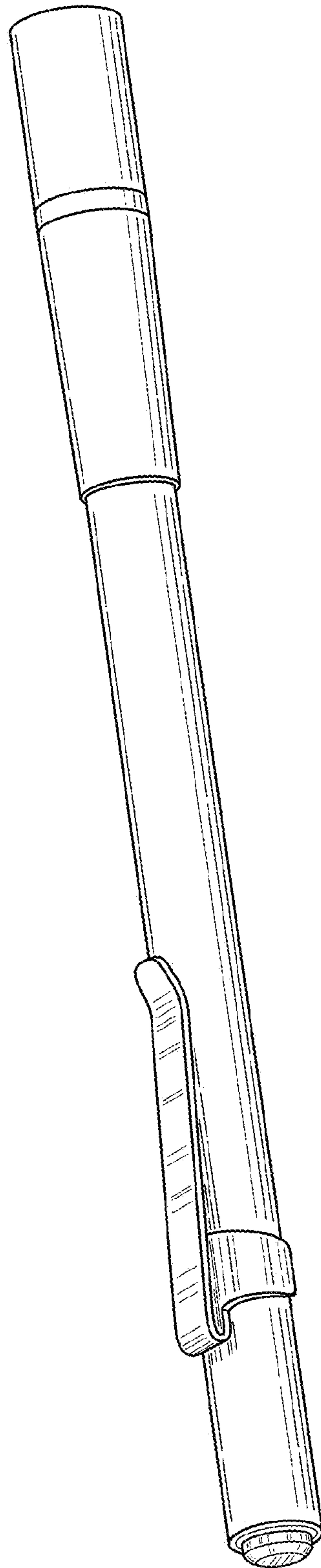


FIG. 2

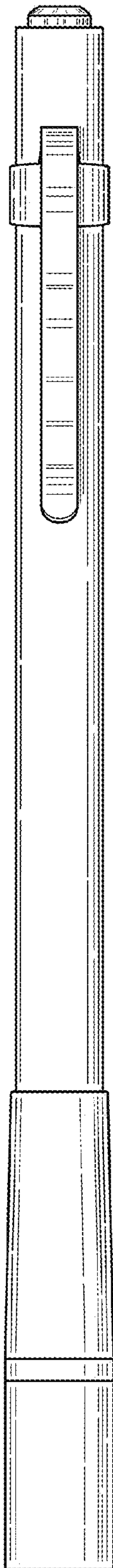


FIG. 3

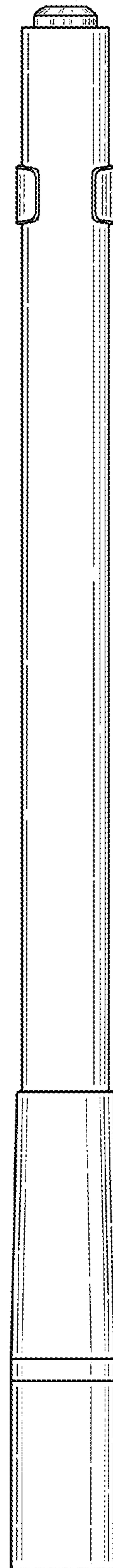


FIG. 4

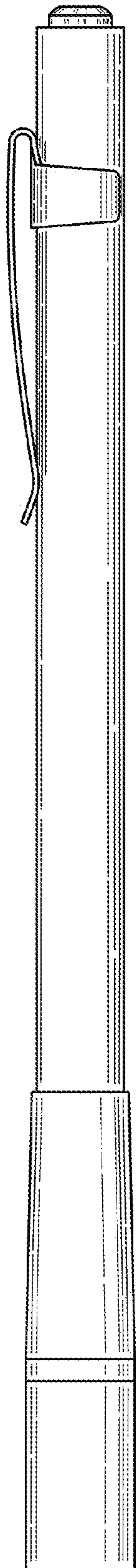


FIG. 5

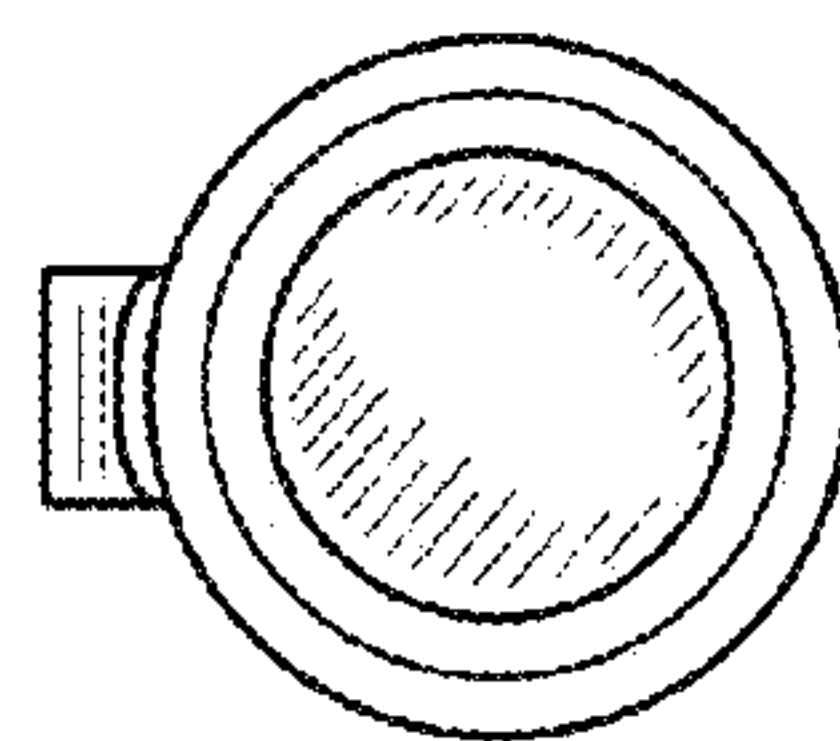


FIG. 6

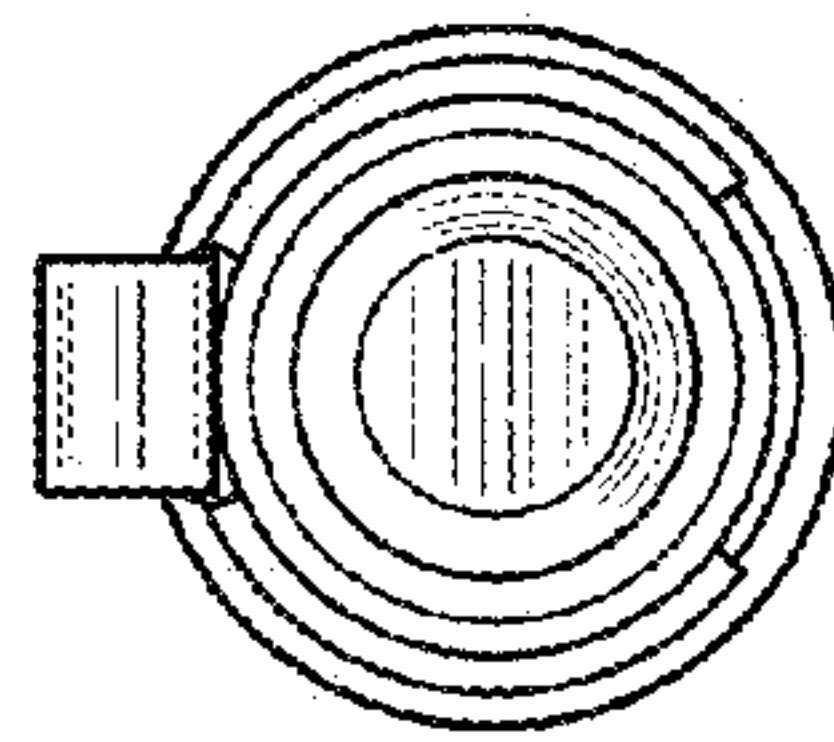


FIG. 7