



US00D729962S

(12) **United States Design Patent**
Warner

(10) **Patent No.:** **US D729,962 S**
(45) **Date of Patent:** **** May 19, 2015**

- (54) **SCALLOPED CANDLE HOLDER**
- (71) Applicant: **Smith Mountain Industries, Inc.**,
Forest, VA (US)
- (72) Inventor: **Neohni Warner**, Lynchburg, VA (US)
- (73) Assignee: **Smith Mountain Industries, Inc.**,
Forest, VA (US)
- (**) Term: **14 Years**
- (21) Appl. No.: **29/480,792**
- (22) Filed: **Jan. 29, 2014**
- (51) **LOC (10) Cl.** **26-01**
- (52) **U.S. Cl.**
USPC **D26/22**
- (58) **Field of Classification Search**
USPC D26/5-23; D11/143-156, 131, 131.1,
D11/157, 164; D6/556-558, 403-405;
D8/1; 431/299, 125, 126, 292, 289;
D7/500, 509, 523, 510, 511, 533, 532,
D7/524, 566, 570, 545, 354, 586; D9/428,
D9/500, 502, 520, 538, 539
See application file for complete search history.

D361,298 S *	8/1995	Weder et al.	D11/164
D362,406 S *	9/1995	Weder et al.	D11/164
D369,318 S *	4/1996	Weder et al.	D11/164
D392,786 S *	3/1998	Kieser	D1/124
D404,341 S *	1/1999	Weder et al.	D11/164
D425,759 S *	5/2000	Henry	D7/545
D504,283 S *	4/2005	Armer	D7/554.3

* cited by examiner

Primary Examiner — T. Chase Nelson

Assistant Examiner — Ania Aman

(74) *Attorney, Agent, or Firm* — Frost Brown Todd LLC

(57) **CLAIM**

The ornamental design for a scalloped candle holder, as shown and described.

DESCRIPTION

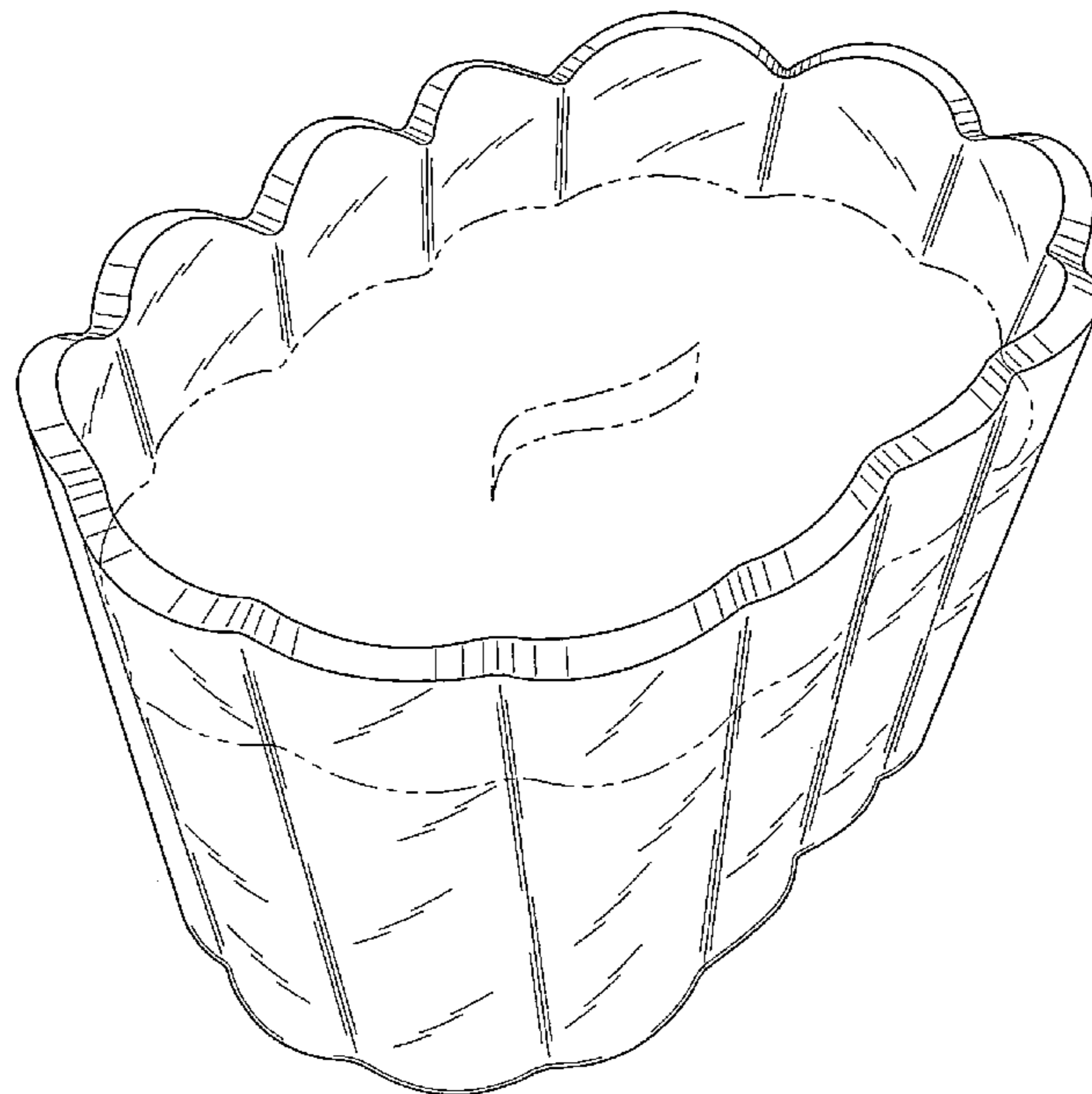
FIG. 1 is a top front perspective view of a scalloped candle holder, shown containing wax and wick;
 FIG. 2 is a top front perspective view of a scalloped candle holder;
 FIG. 3 is a bottom rear perspective view thereof;
 FIG. 4 is a front elevation view of the scalloped candle holder, the opposite side being a mirror image thereof;
 FIG. 5 is a side elevation view of the scalloped candle holder, the opposite side being a mirror image thereof;
 FIG. 6 is a top plan view thereof; and,
 FIG. 7 is a bottom plan view thereof.
 The broken lines showing wax and wick are for the purpose of illustrating environmental structure and form no part of the claimed design.

1 Claim, 7 Drawing Sheets

(56) **References Cited**

U.S. PATENT DOCUMENTS

D33,960 S *	1/1901	Hanson et al.	D7/354
1,520,647 A *	12/1924	Hennegan	47/72
1,794,212 A *	2/1931	Snyder	138/156
D130,691 S *	12/1941	Koch	D11/143
D318,001 S *	7/1991	Gavin et al.	D7/667
D360,389 S *	7/1995	Weder et al.	D11/164



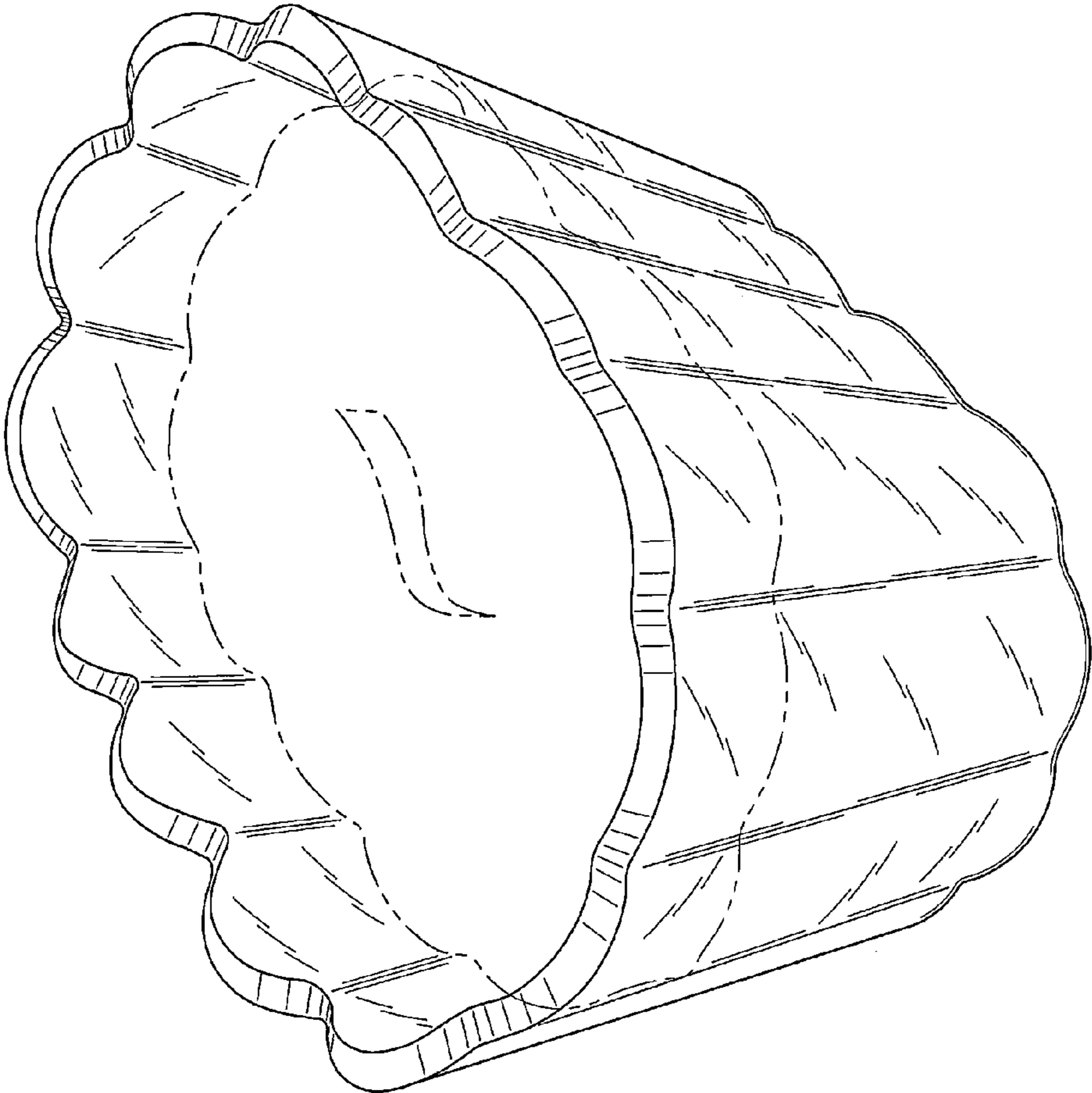


Fig. 1

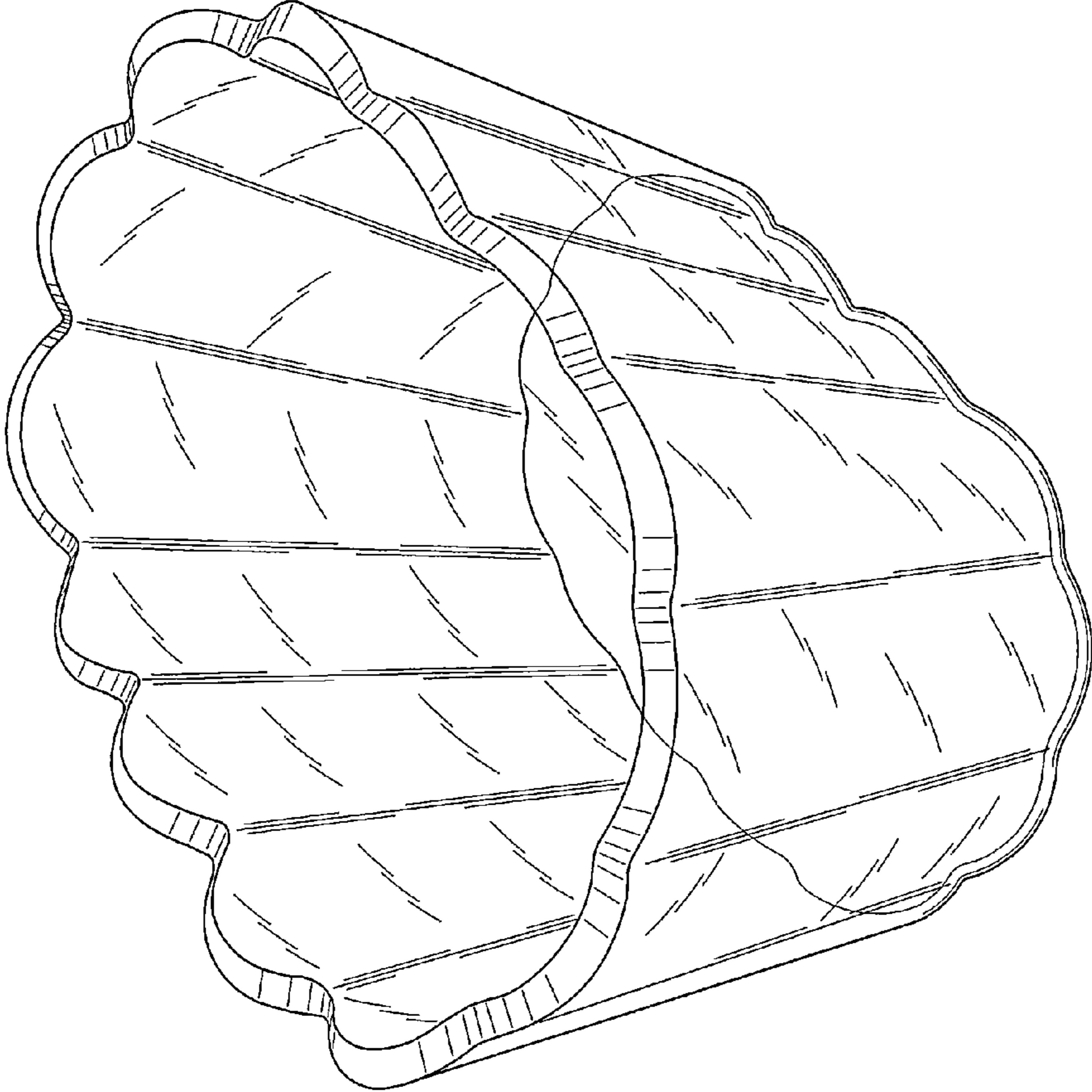


Fig. 2

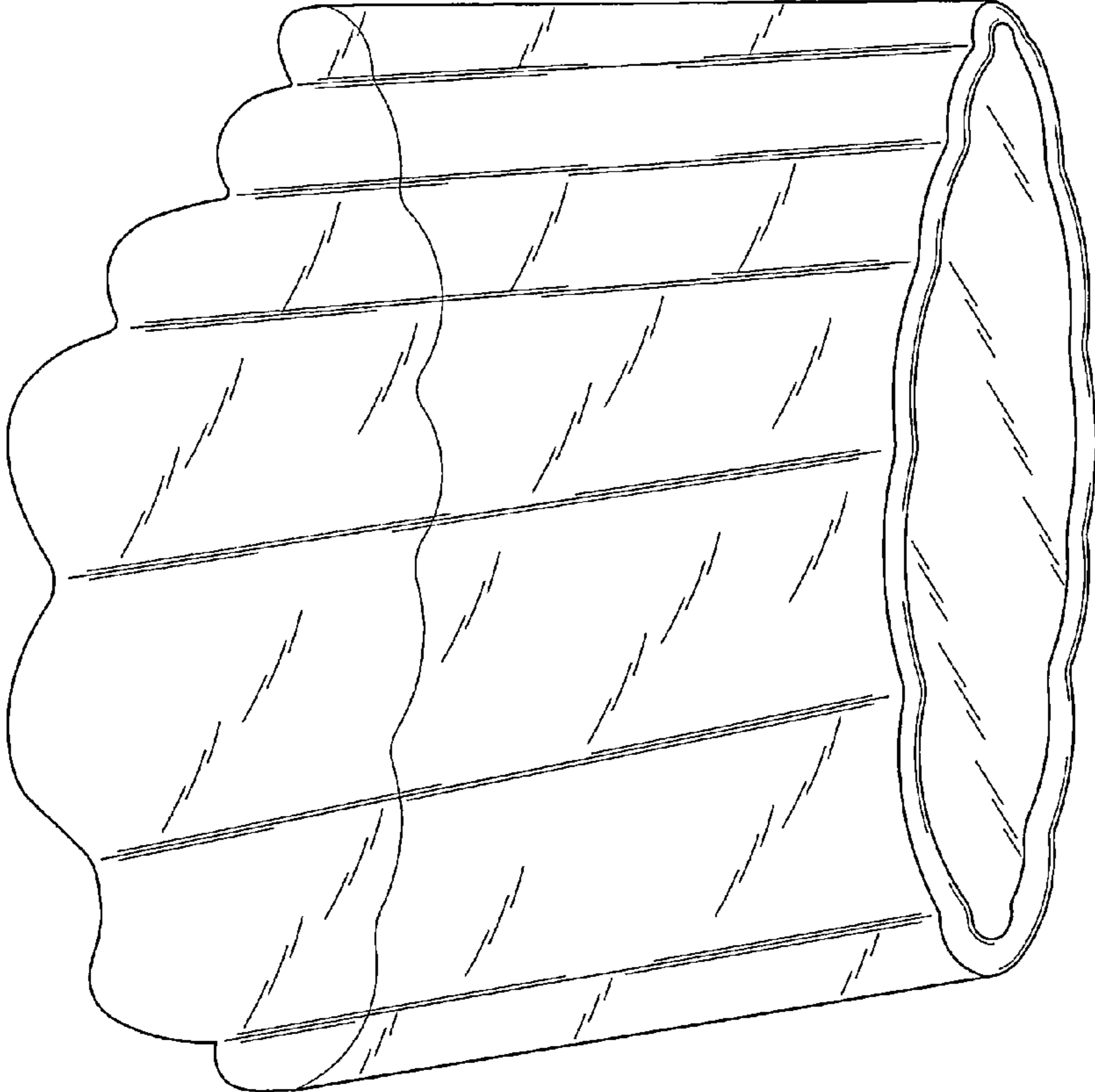


Fig. 3

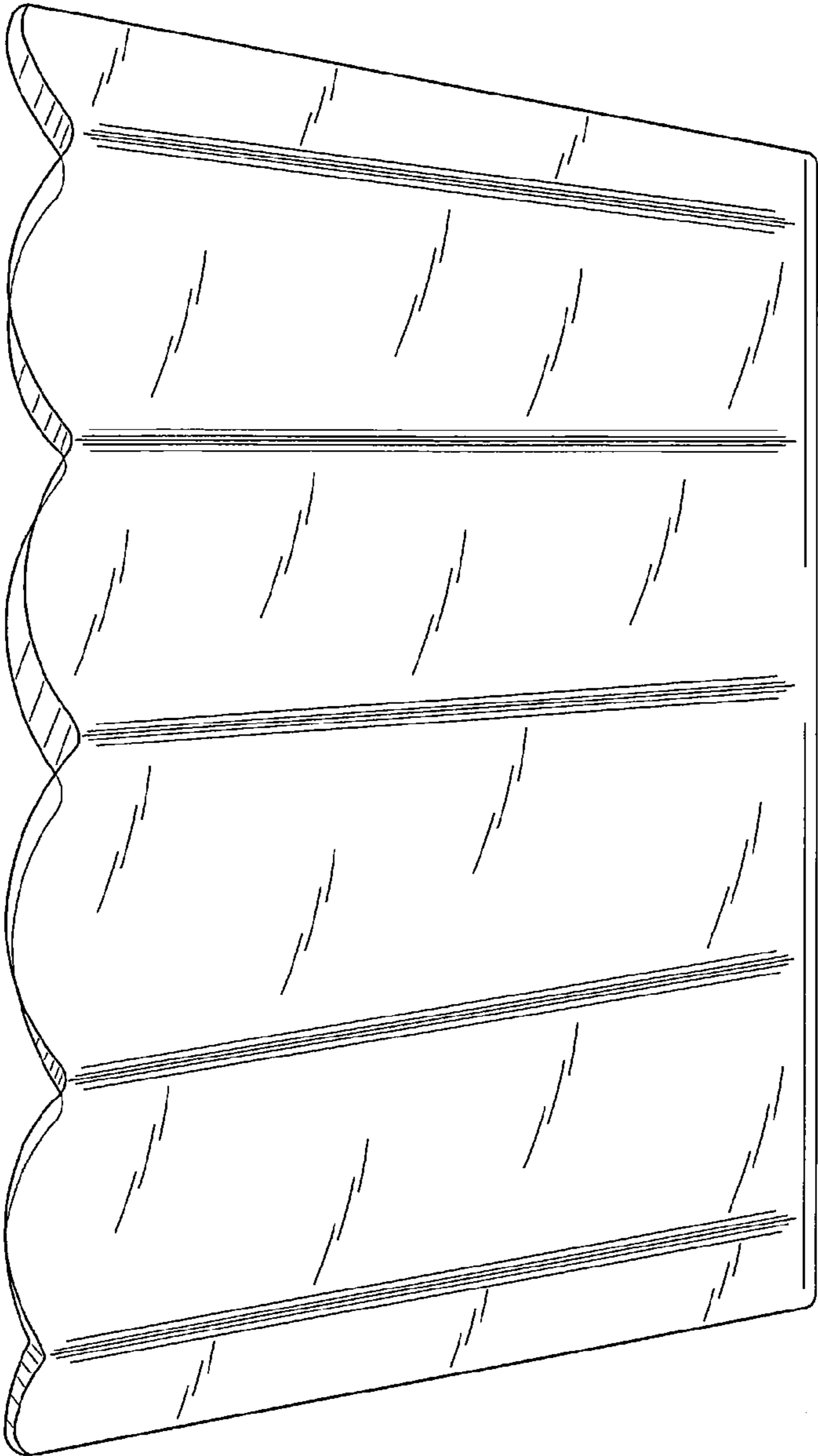


Fig. 4

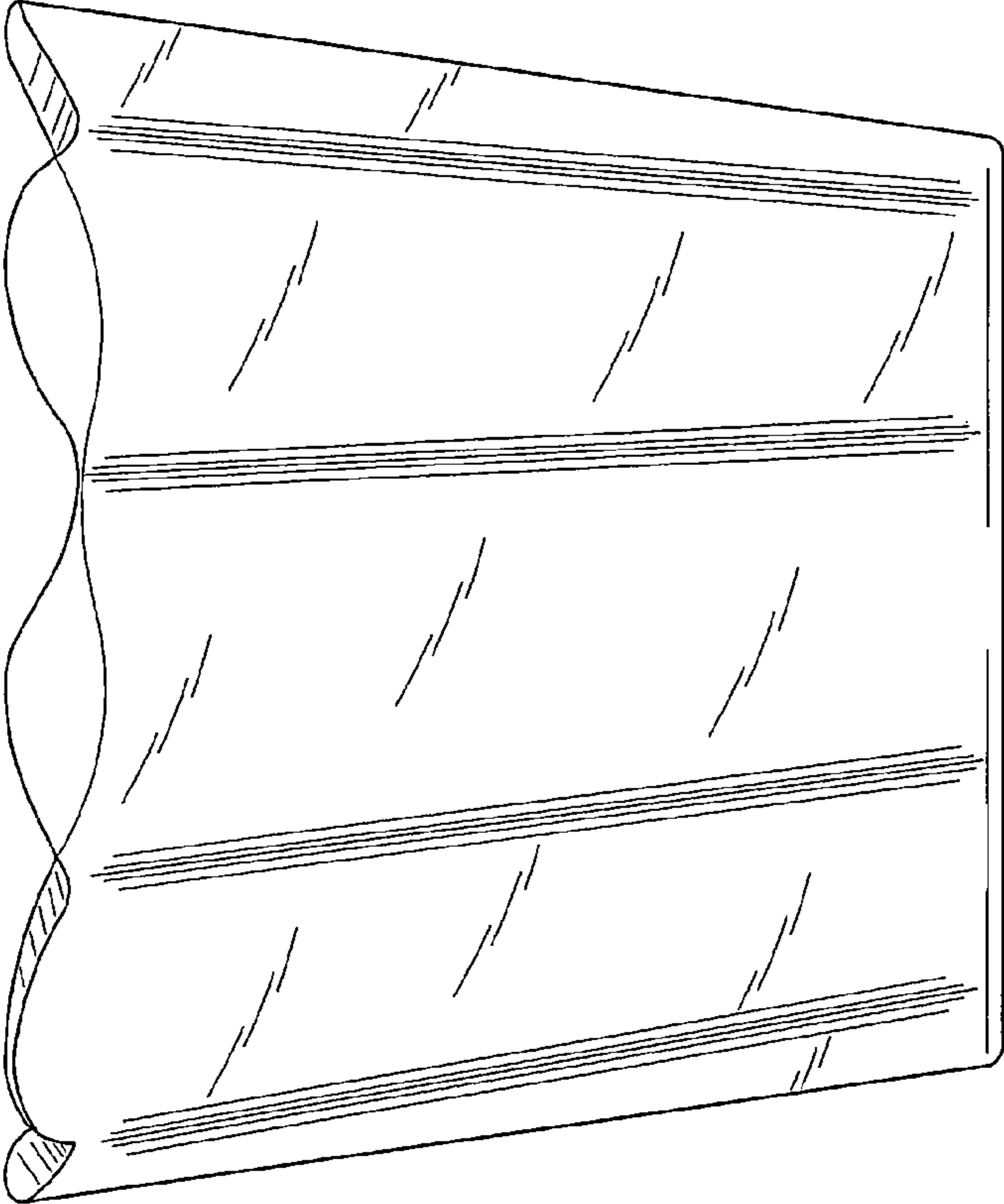


Fig. 5

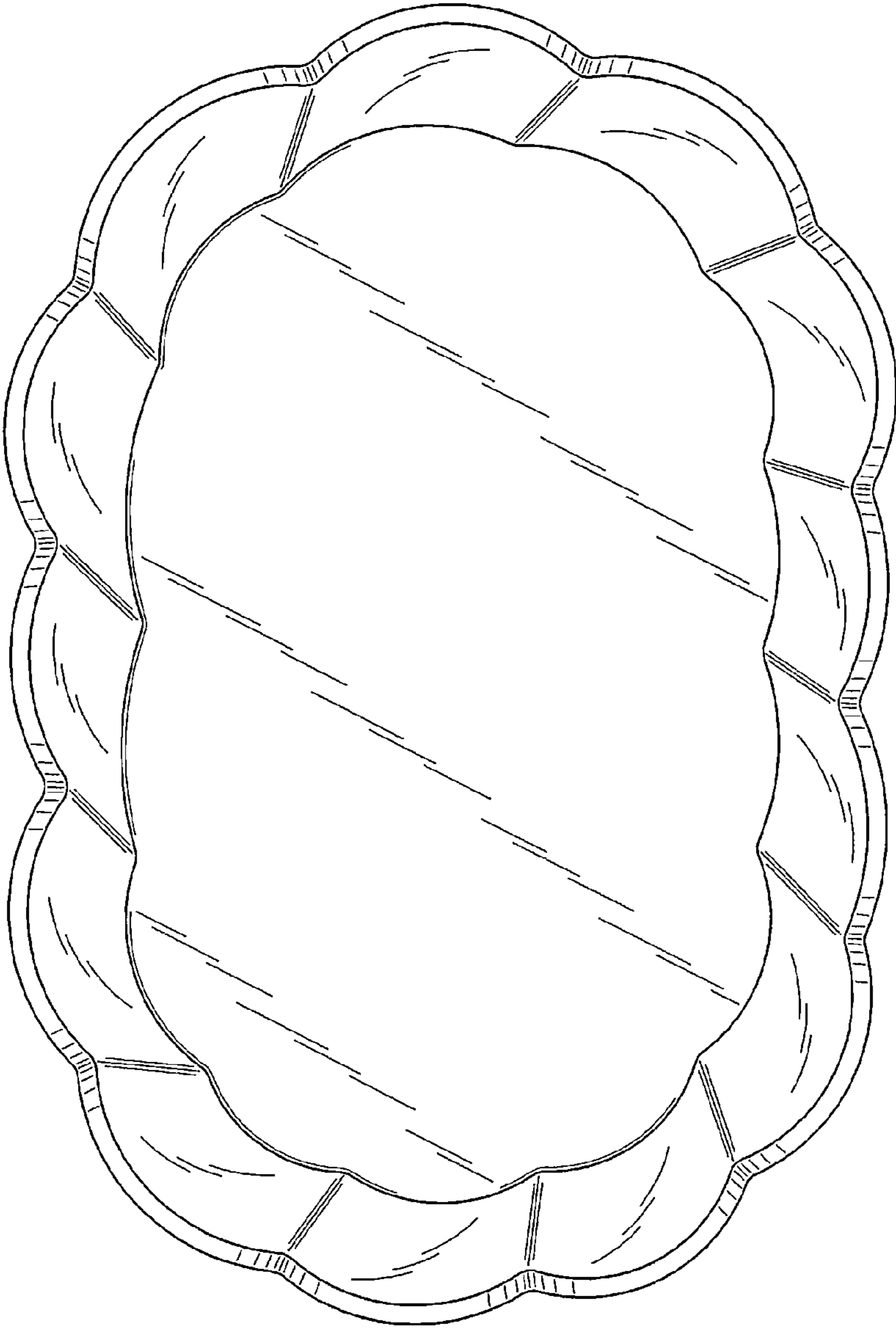


Fig. 6

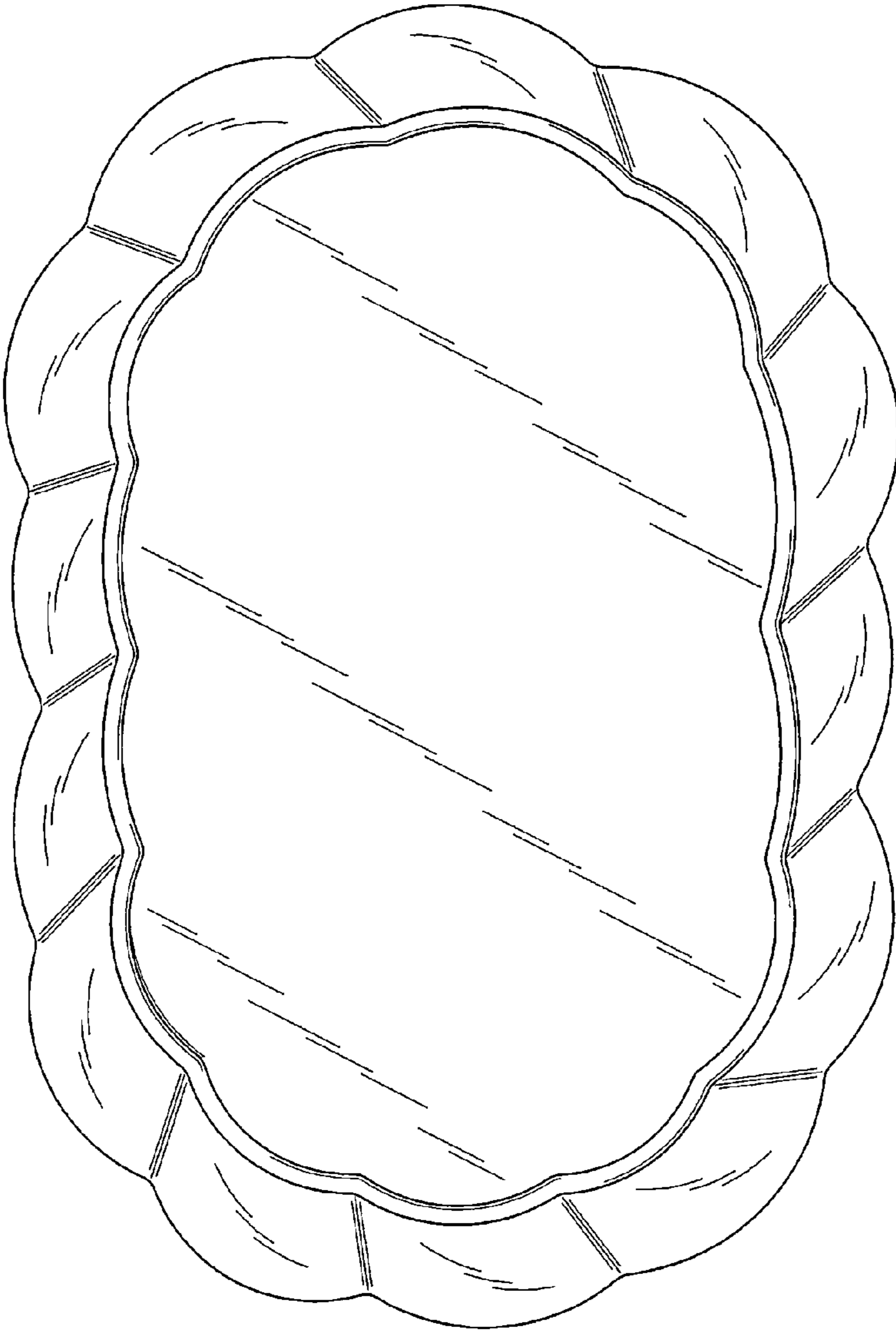


Fig. 7