



US00D729961S

(12) **United States Design Patent**
Sung et al.

(10) **Patent No.:** **US D729,961 S**

(45) **Date of Patent:** **** May 19, 2015**

(54) **LIGHTING BULB**

D317,507 S * 6/1991 Mayr D26/2
D346,455 S * 4/1994 Mayr D26/2
D349,353 S * 8/1994 Gallant D26/2

(71) Applicants: **Yung-Cheng Sung**, Hsinchu (TW);
Chung-Pan Wu, Hsinchu (TW);
Tzyy-Jang Tseng, Hsinchu (TW)

* cited by examiner

(72) Inventors: **Yung-Cheng Sung**, Hsinchu (TW);
Chung-Pan Wu, Hsinchu (TW);
Tzyy-Jang Tseng, Hsinchu (TW)

Primary Examiner — Marcus Jackson

(74) *Attorney, Agent, or Firm* — Jianq Chyun IP Office

(73) Assignee: **APM COMMUNICATION, INC.**,
Hsinchu (TW)

(57) **CLAIM**

The ornamental design for a lighting bulb, as shown and described.

(**) Term: **14 Years**

(21) Appl. No.: **29/458,934**

(22) Filed: **Jun. 24, 2013**

DESCRIPTION

(30) **Foreign Application Priority Data**

Dec. 26, 2012 (TW) 101307777

(51) **LOC (10) Cl.** **26-04**

(52) **U.S. Cl.**
USPC **D26/4**

(58) **Field of Classification Search**
USPC D26/1-4; 313/313, 315, 316, 317, 318,
313/493; 315/52, 53, 56, 57, 58
See application file for complete search history.

FIG. 1 is a perspective view of a lighting bulb showing our new design;

FIG. 2 is a front view thereof;

FIG. 3 is a rear view thereof;

FIG. 4 is a left side view thereof;

FIG. 5 is a right side view thereof;

FIG. 6 is a top view thereof;

FIG. 7 is a bottom view thereof; and,

FIG. 8 is another perspective view thereof.

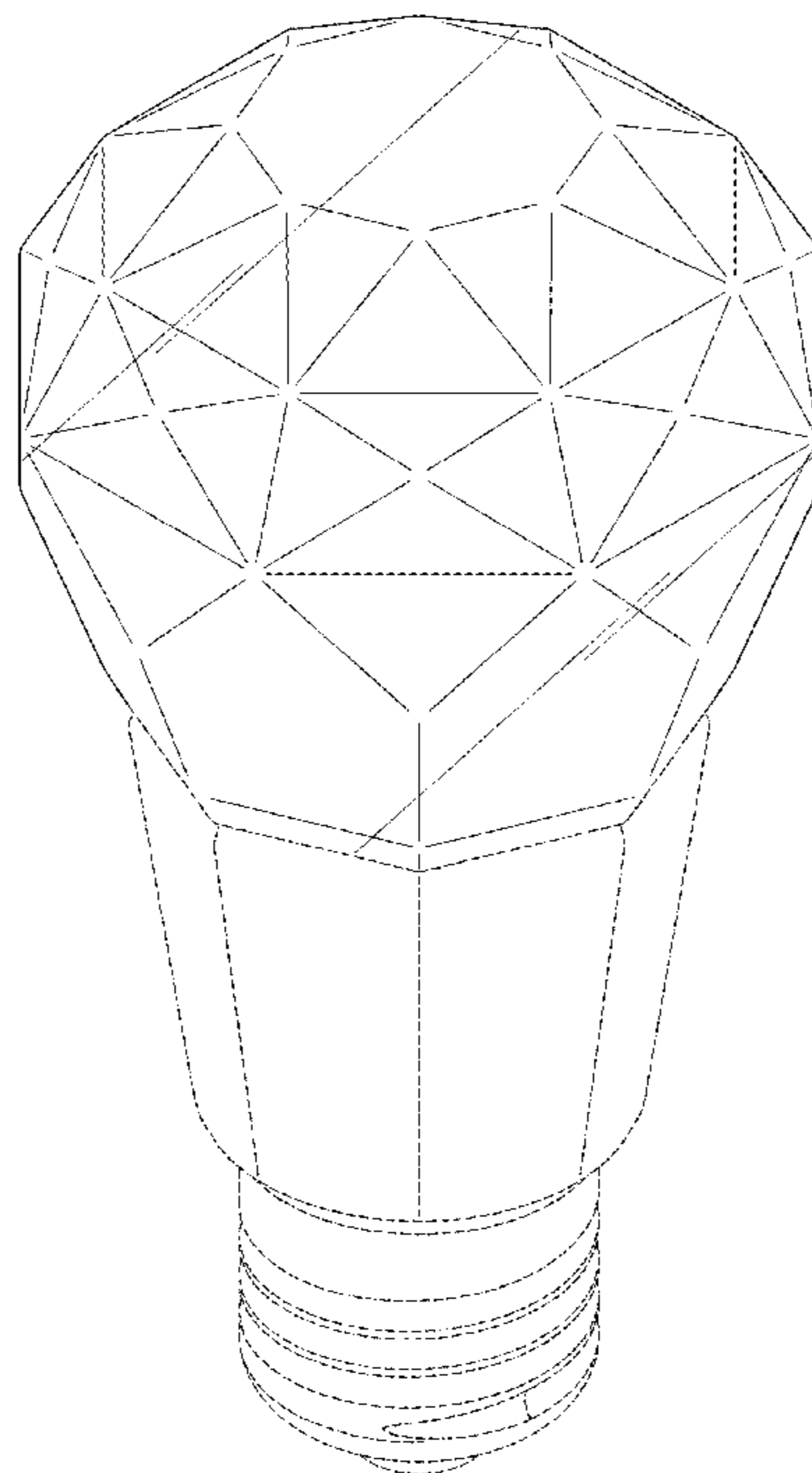
The broken line showings in the drawing are for illustrative purposes only and form no part of the claimed design.

(56) **References Cited**

U.S. PATENT DOCUMENTS

D86,300 S * 2/1932 Buschman D26/2
D218,976 S * 10/1970 Venema D26/2

1 Claim, 8 Drawing Sheets



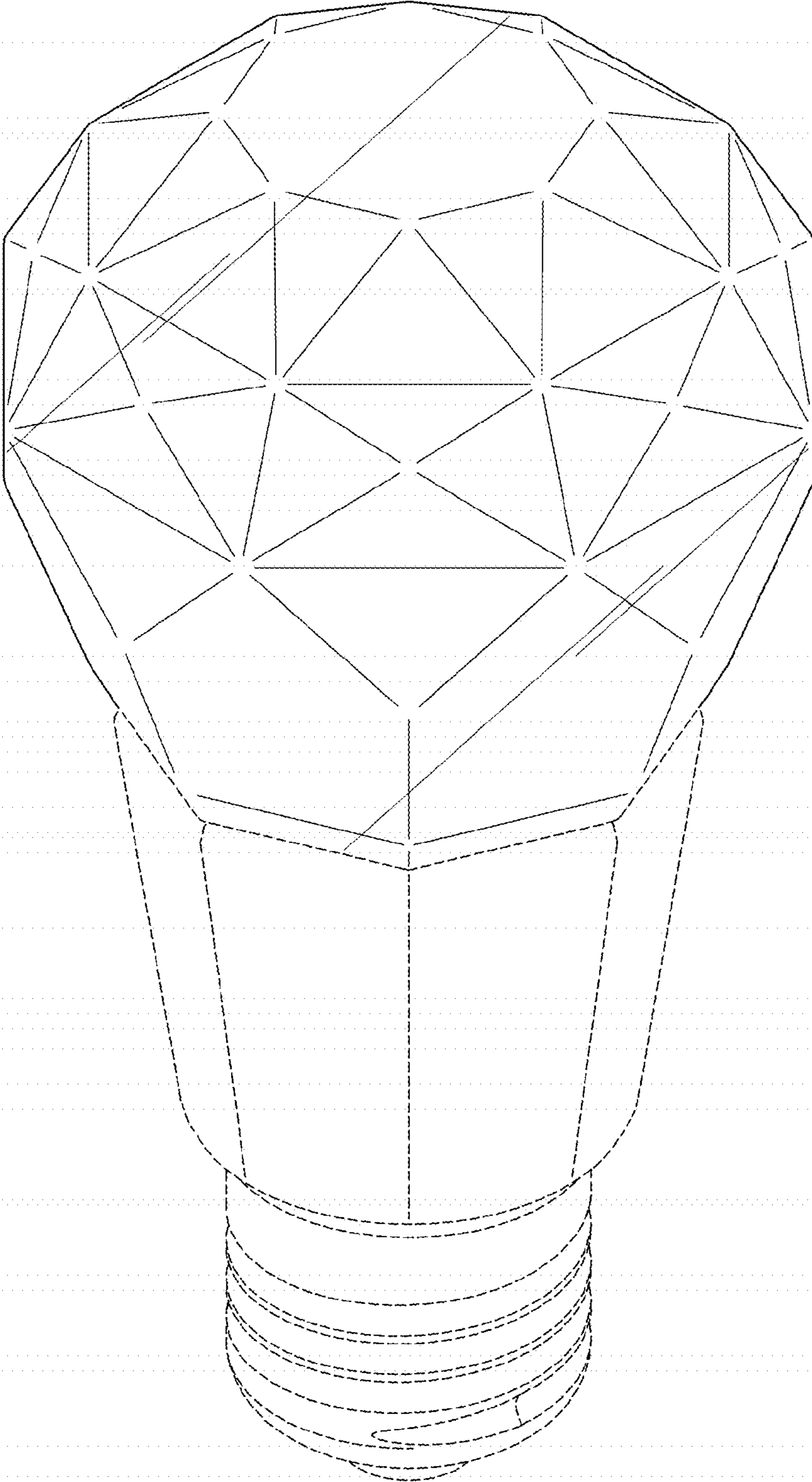


FIG. 1

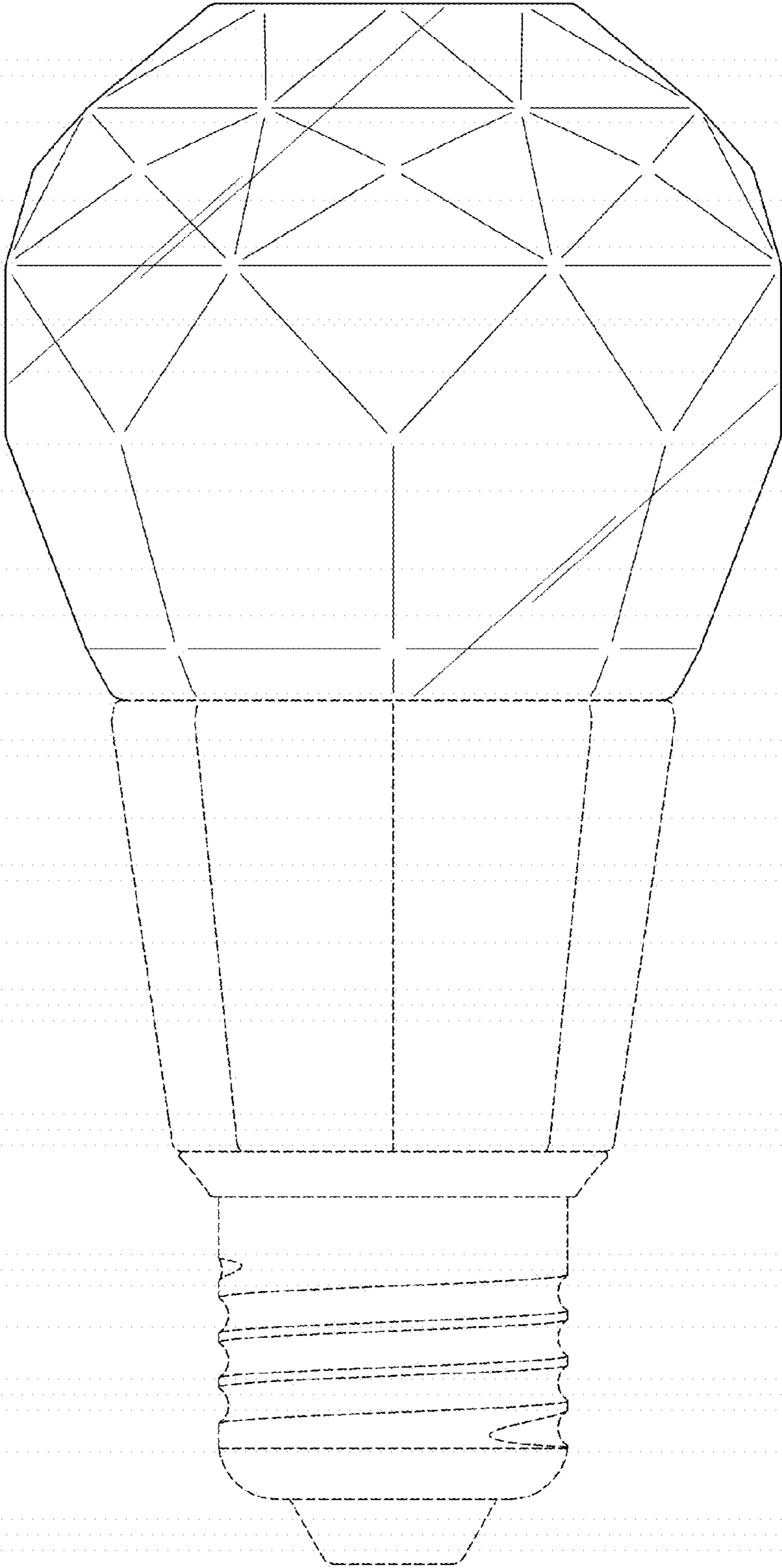


FIG. 2

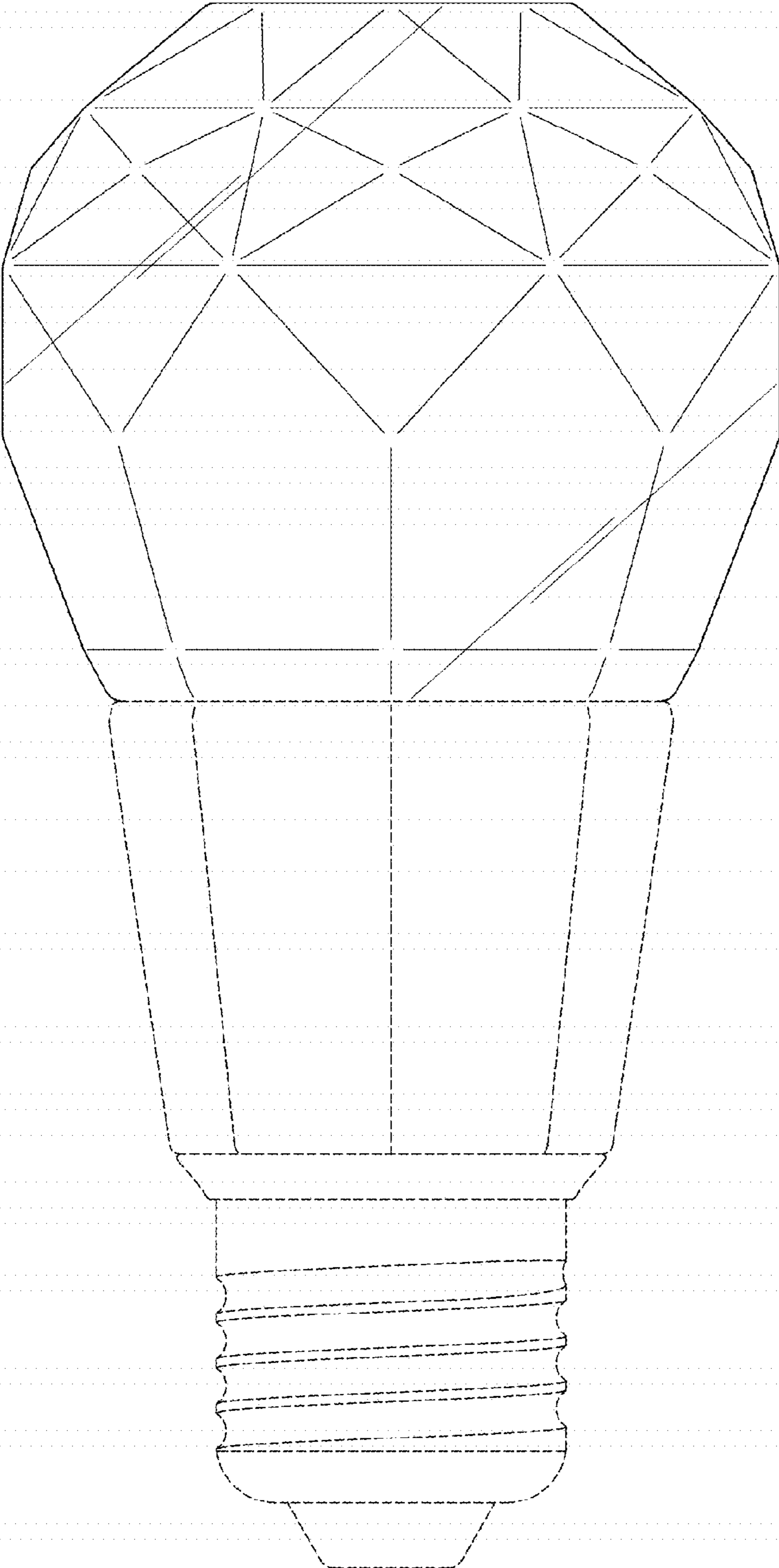


FIG. 3

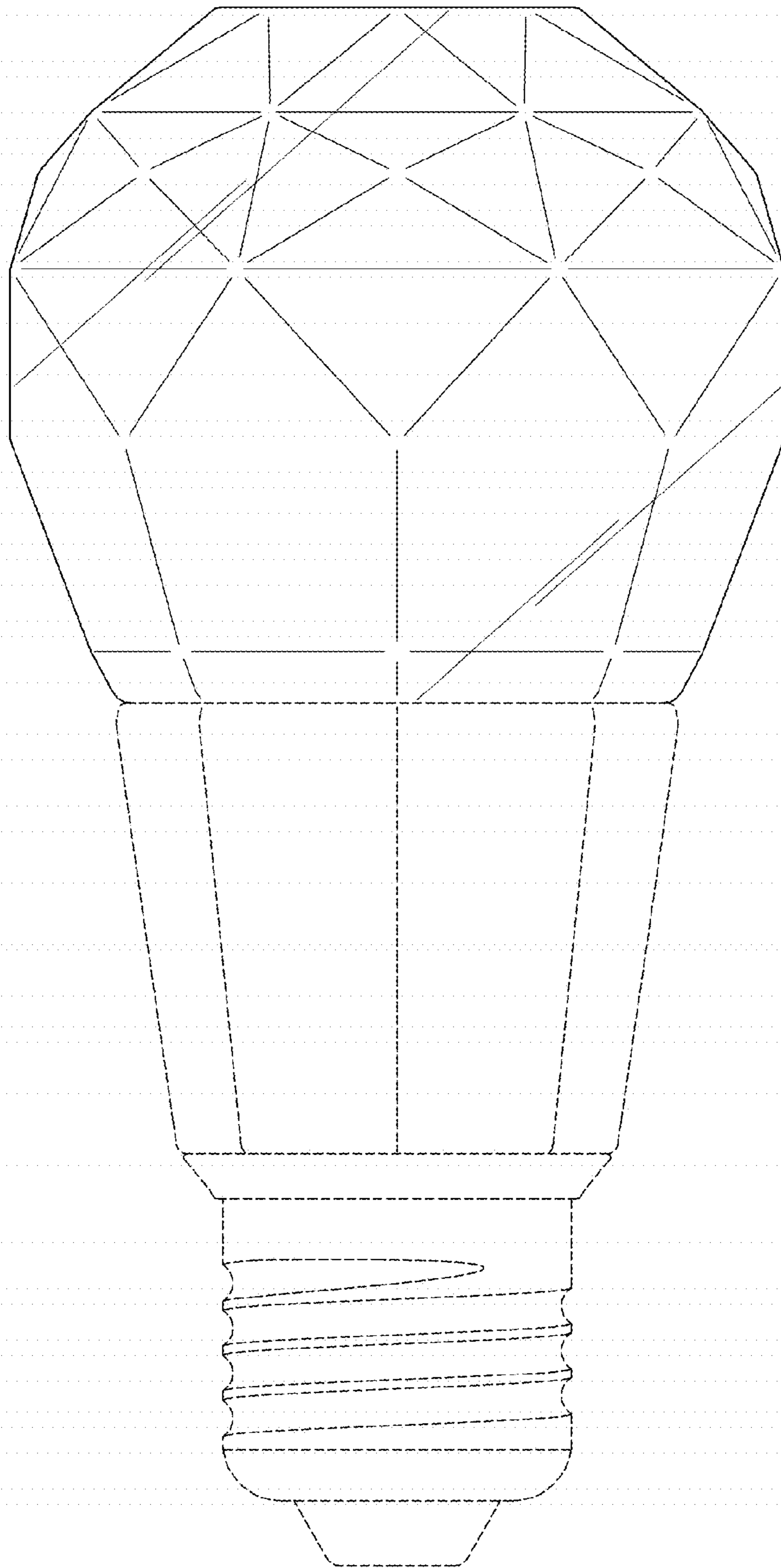


FIG. 4

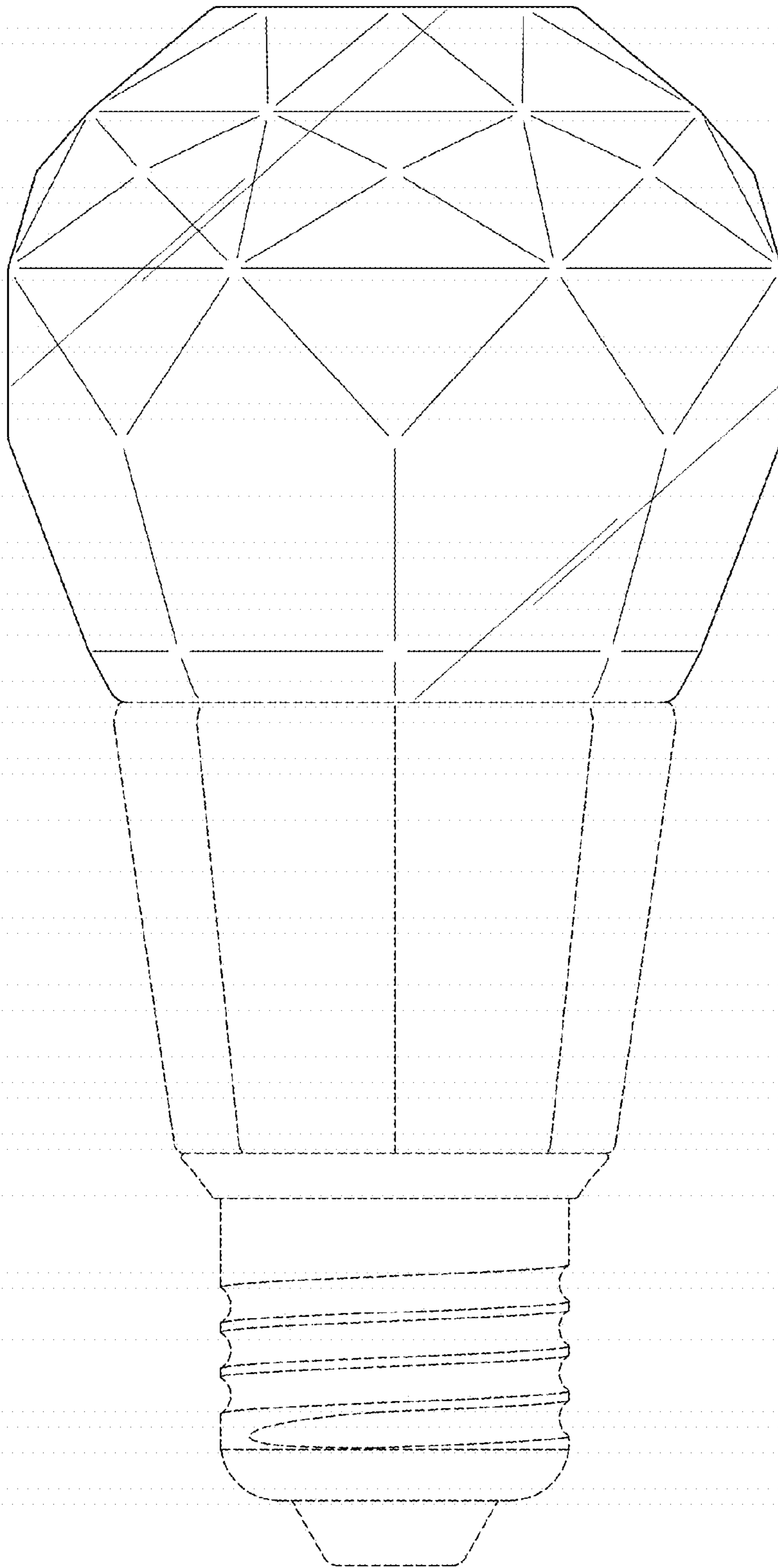


FIG. 5

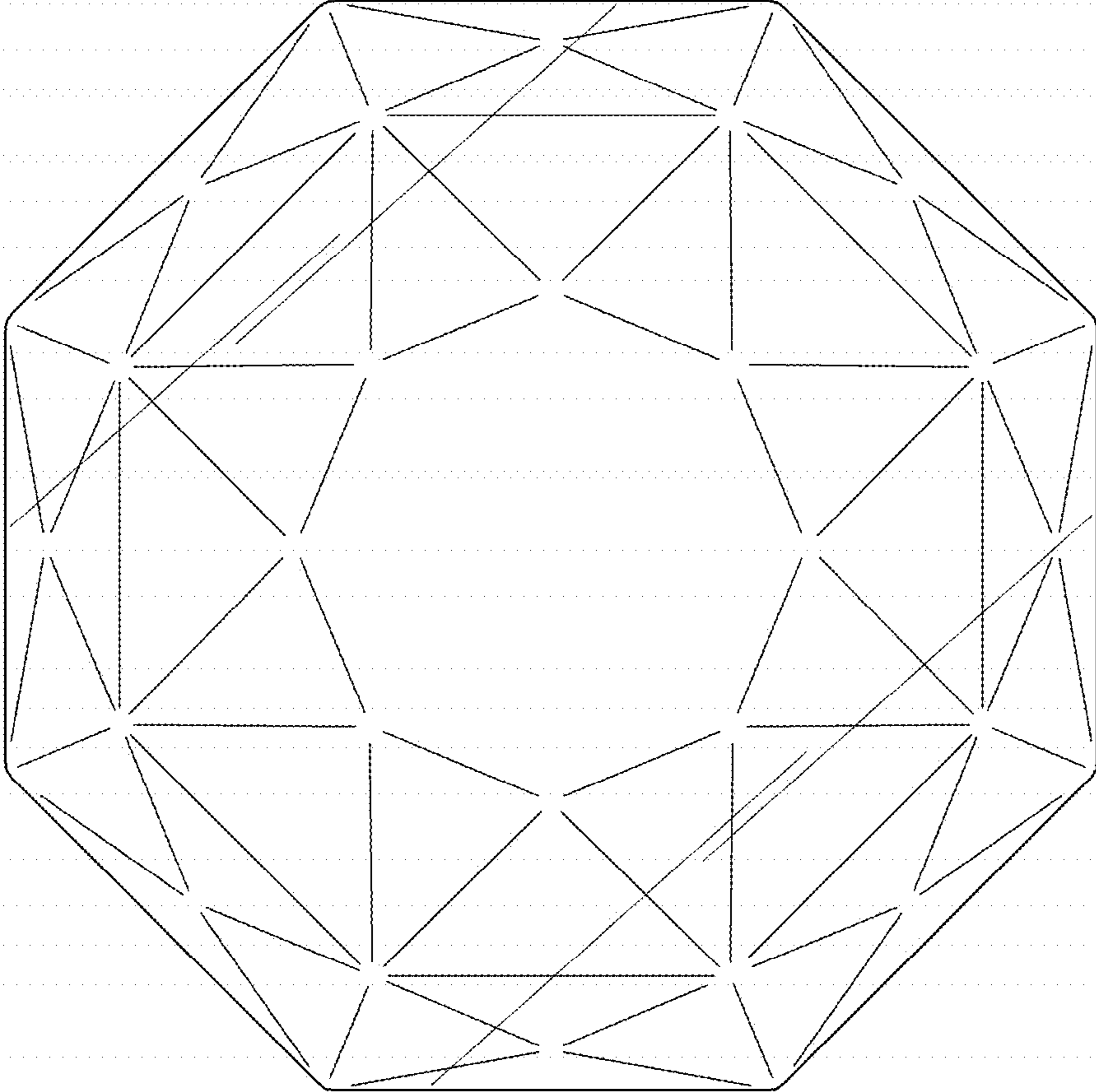


FIG. 6

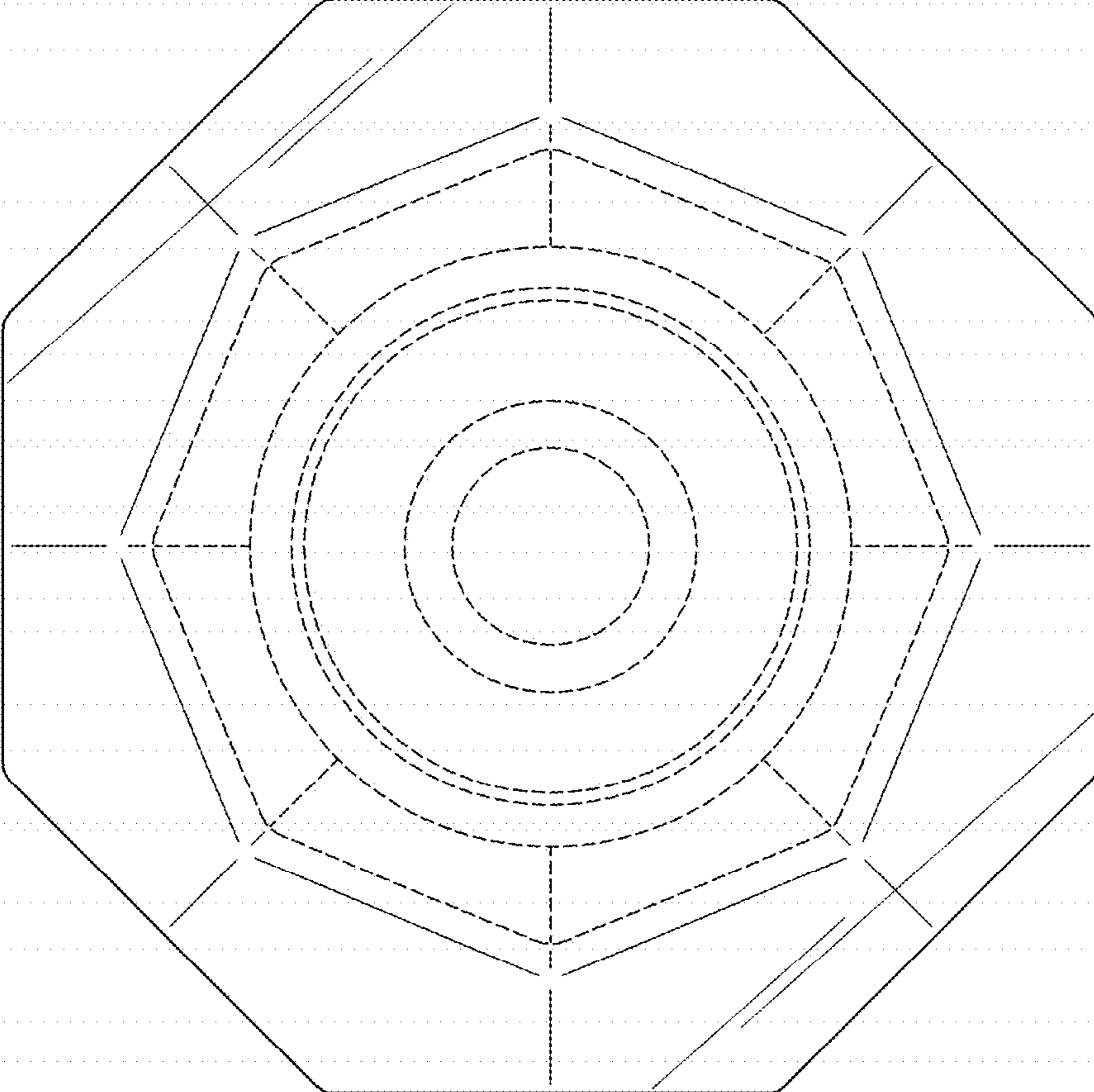


FIG. 7

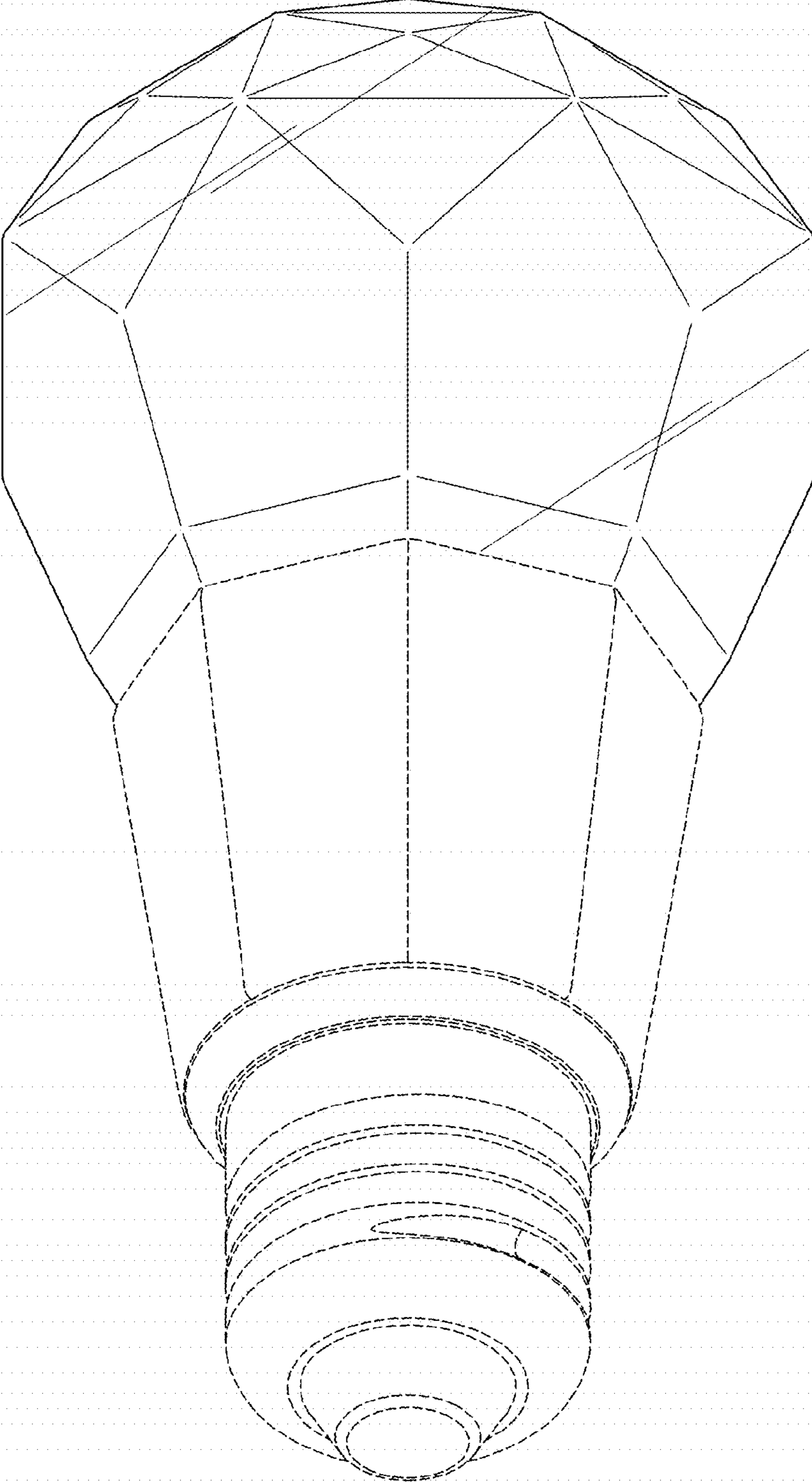


FIG. 8