



US00D729956S

(12) **United States Design Patent**
Obrzut et al.

(10) **Patent No.:** **US D729,956 S**
(45) **Date of Patent:** **** May 19, 2015**

(54) **LED LIGHT BULB**

D656,252 S * 3/2012 Engl et al. D26/2

(71) Applicant: **Rambus Delaware LLC**, Brecksville,
OH (US)

* cited by examiner

(72) Inventors: **Timothy M. Obrzut**, Middleburg
Heights, OH (US); **Christopher R.
Ruhland**, Parma Heights, OH (US)

Primary Examiner — Marcus Jackson

(74) *Attorney, Agent, or Firm* — Renner, Otto, Boisselle &
Sklar, LLP

(73) Assignee: **Rambus Delaware LLC**, Brecksville,
OH (US)

(57) **CLAIM**

The ornamental design for an LED light bulb, as shown and
described.

(**) Term: **14 Years**

DESCRIPTION

(21) Appl. No.: **29/458,980**

FIG. 1 is a perspective view of an LED light bulb with a
diffuser cover showing our new design.

(22) Filed: **Jun. 25, 2013**

FIG. 2 is a front view thereof.

(51) **LOC (10) Cl.** **26-04**

FIG. 3 is a rear view thereof.

(52) **U.S. Cl.**

FIG. 4 is a left side view thereof.

USPC **D26/2**

FIG. 5 is a right side view thereof.

(58) **Field of Classification Search**

USPC D26/1-4; 313/313, 315, 316, 317, 318,
313/493; 315/52, 53, 56, 57, 58

FIG. 6 is a top view thereof.

See application file for complete search history.

FIG. 7 is a bottom view thereof.

FIG. 8 is a perspective view of the LED light bulb without the
diffuser cover.

(56) **References Cited**

U.S. PATENT DOCUMENTS

D610,271 S *	2/2010	Bi	D26/2
D616,120 S *	5/2010	Wada et al.	D26/2
D629,930 S *	12/2010	Cotter et al.	D26/2
D631,571 S *	1/2011	Bobel	D26/2
D645,996 S *	9/2011	Wey et al.	D26/2
D648,461 S *	11/2011	Kim et al.	D26/2

FIG. 9 is a front view thereof.

FIG. 10 is a rear view thereof.

FIG. 11 is a left side view thereof.

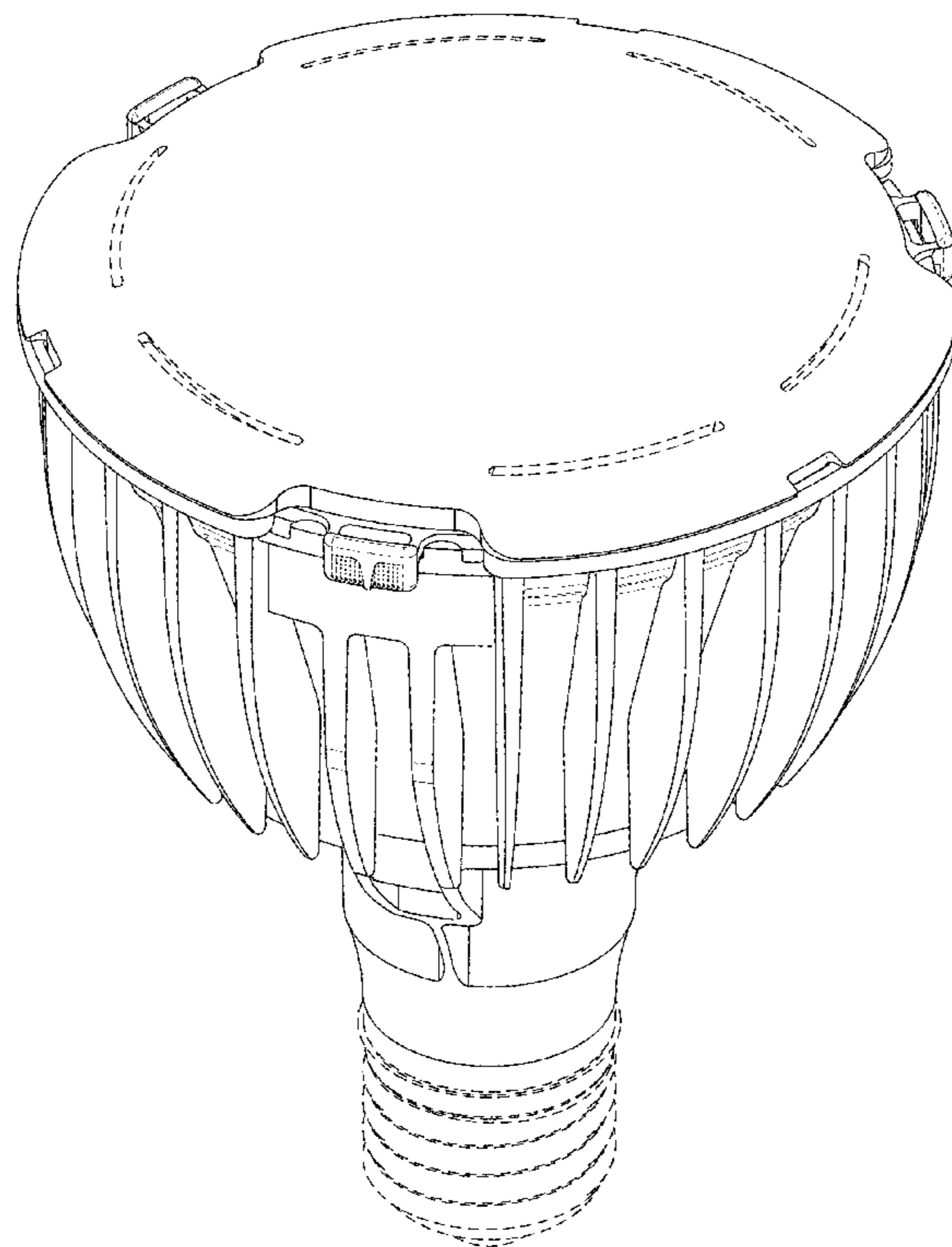
FIG. 12 is a right side view thereof.

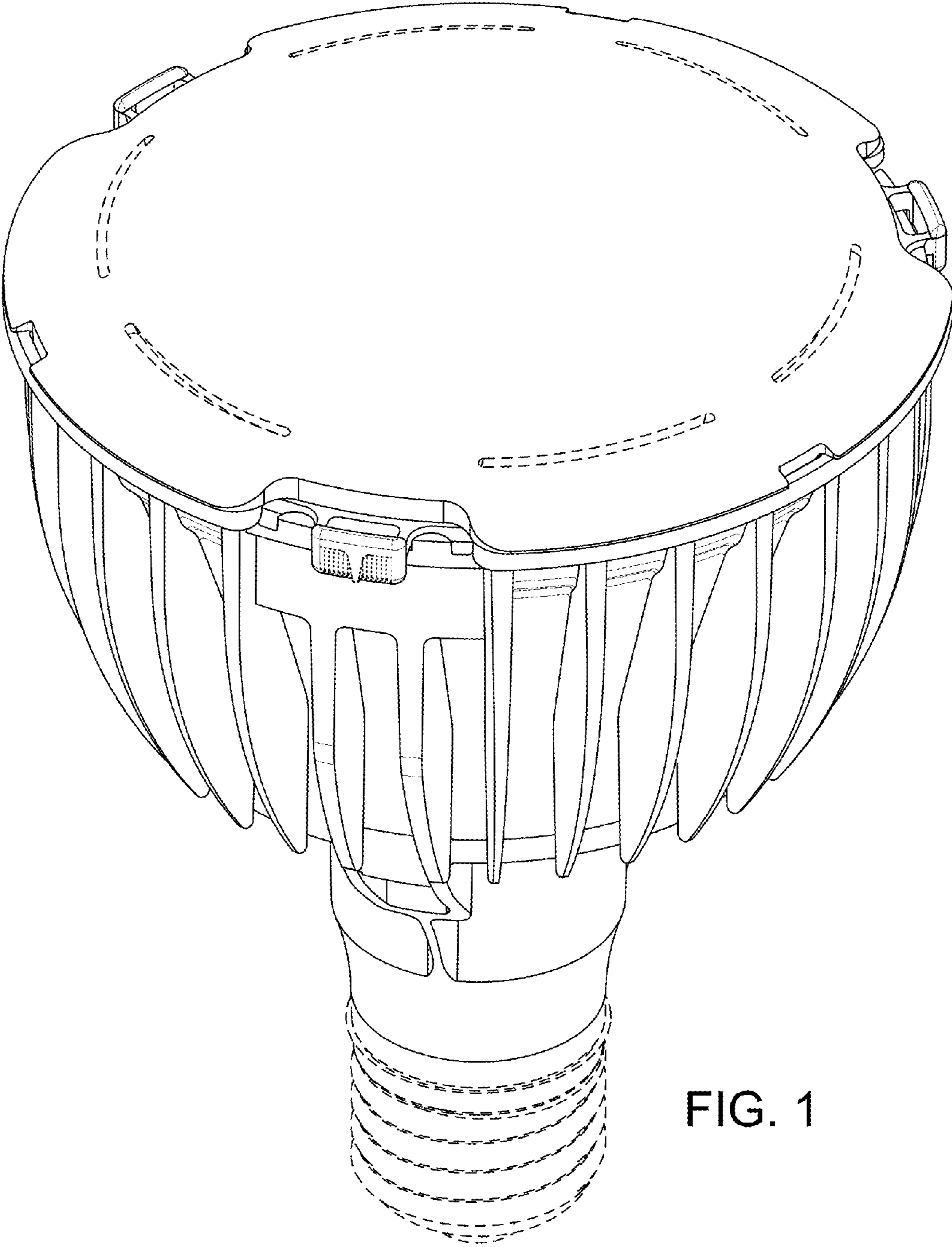
FIG. 13 is a top view thereof; and,

FIG. 14 is a bottom view thereof.

The broken lines are for the purpose of illustrating portions of
the LED light bulb and form no part of the claimed design.

1 Claim, 14 Drawing Sheets





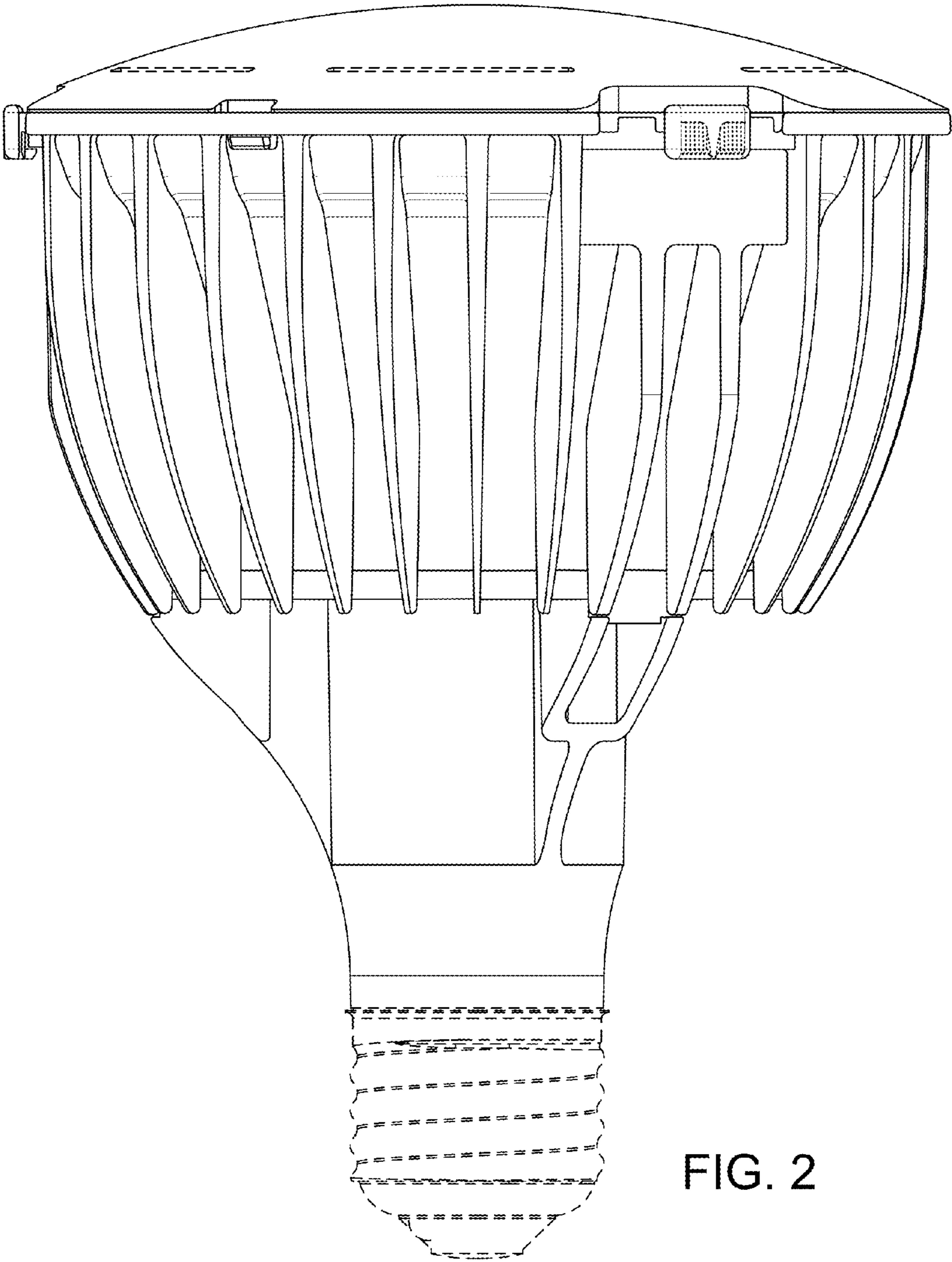


FIG. 2

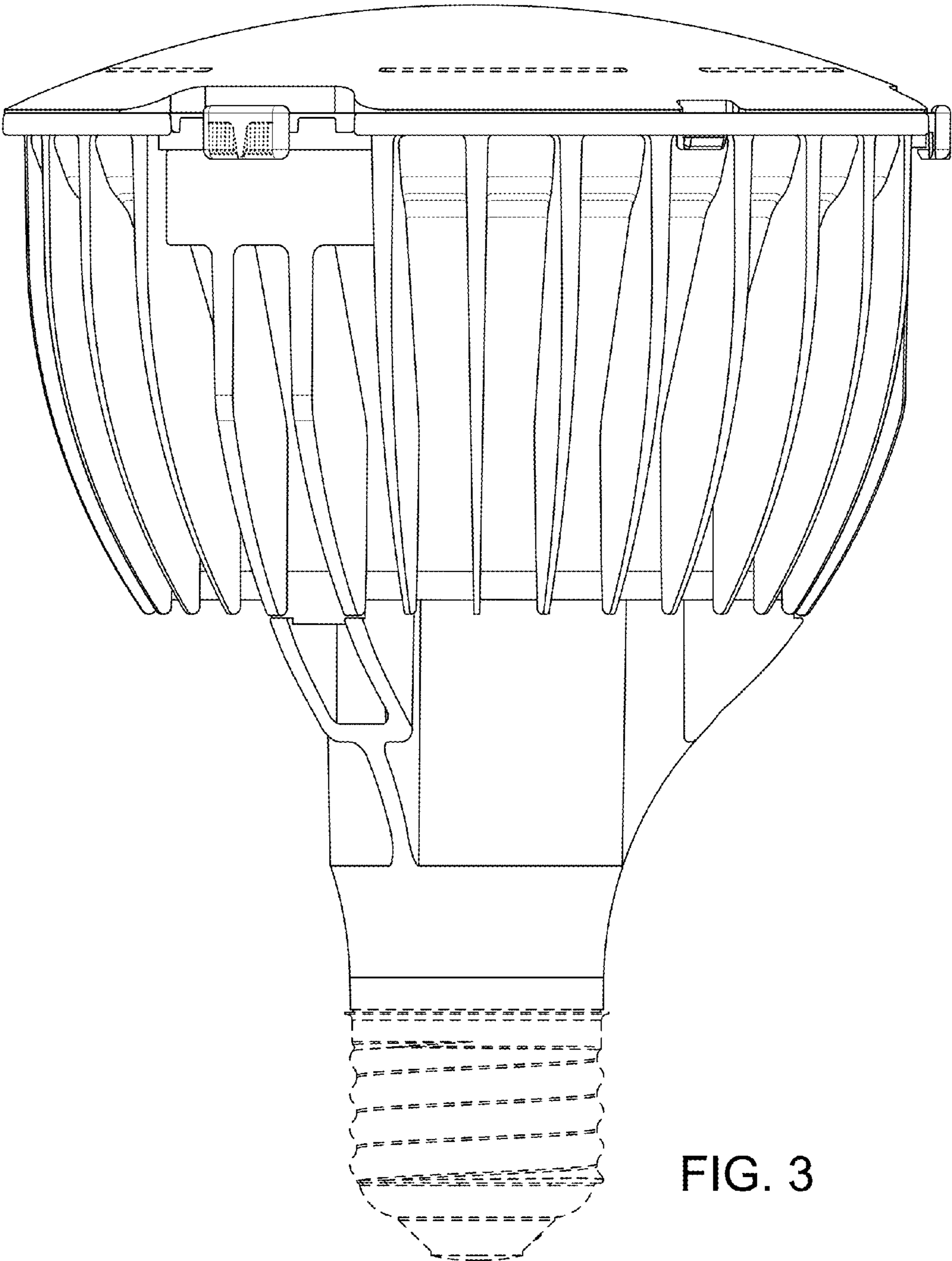


FIG. 3

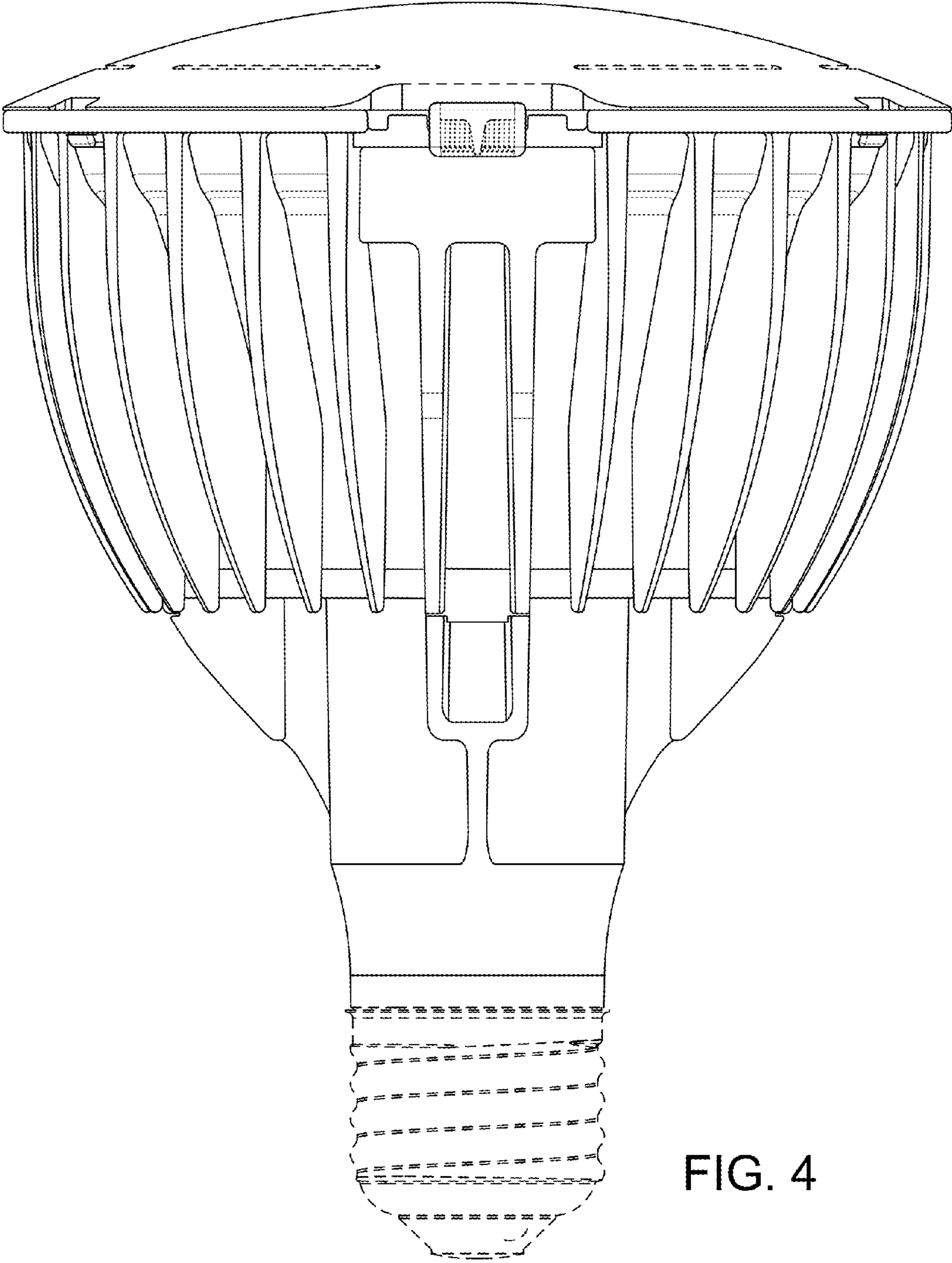


FIG. 4

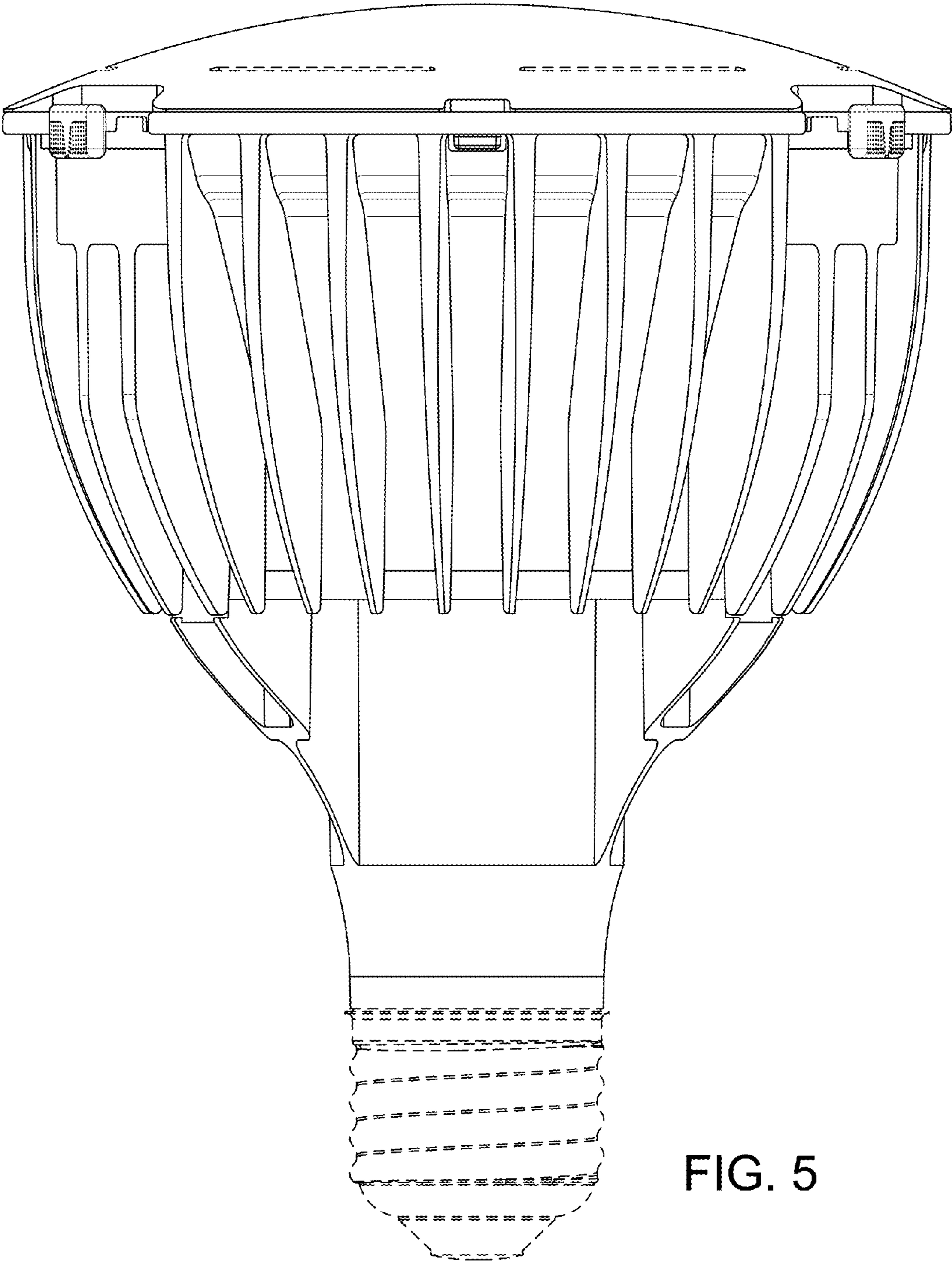


FIG. 5

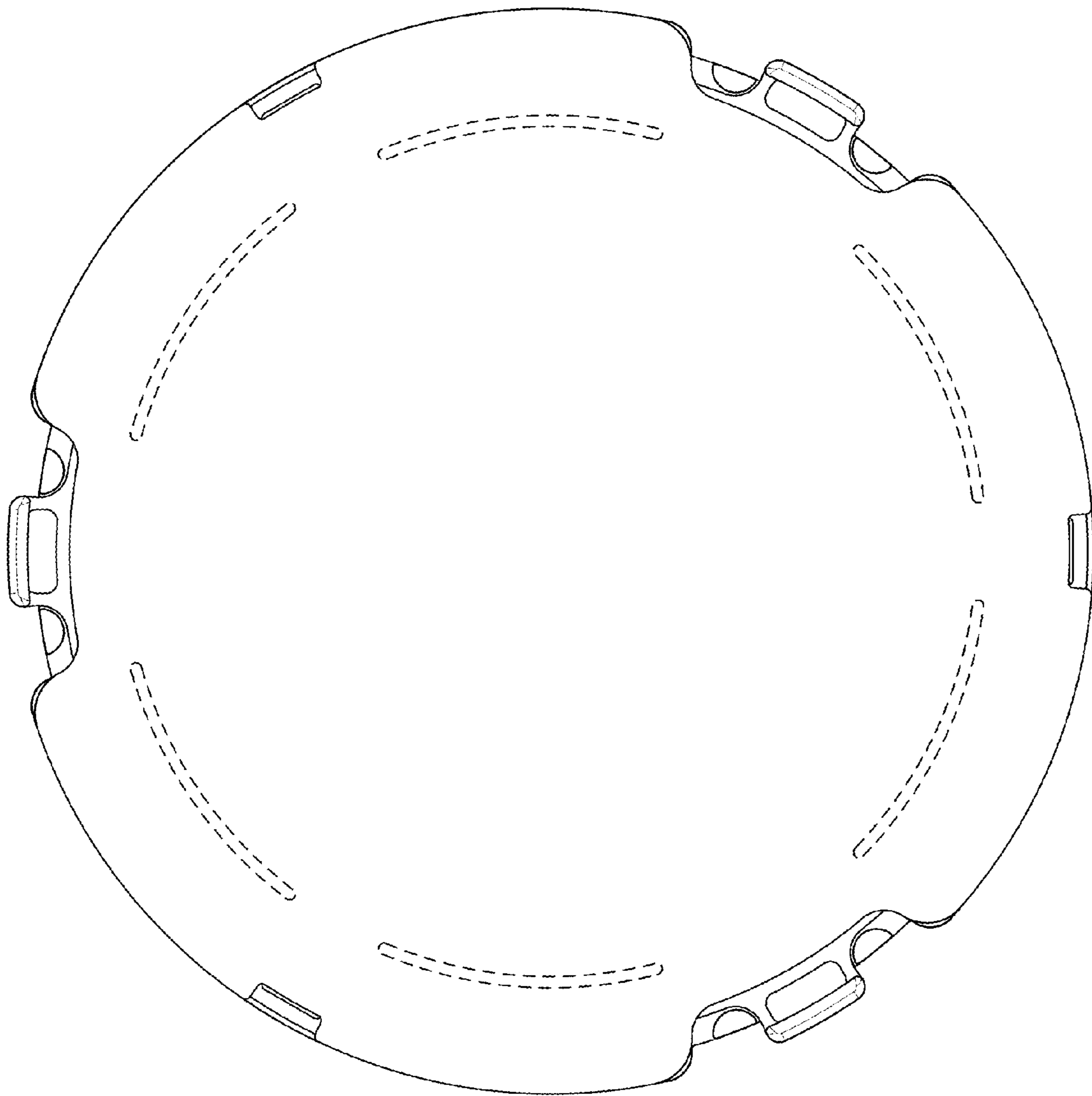


FIG. 6

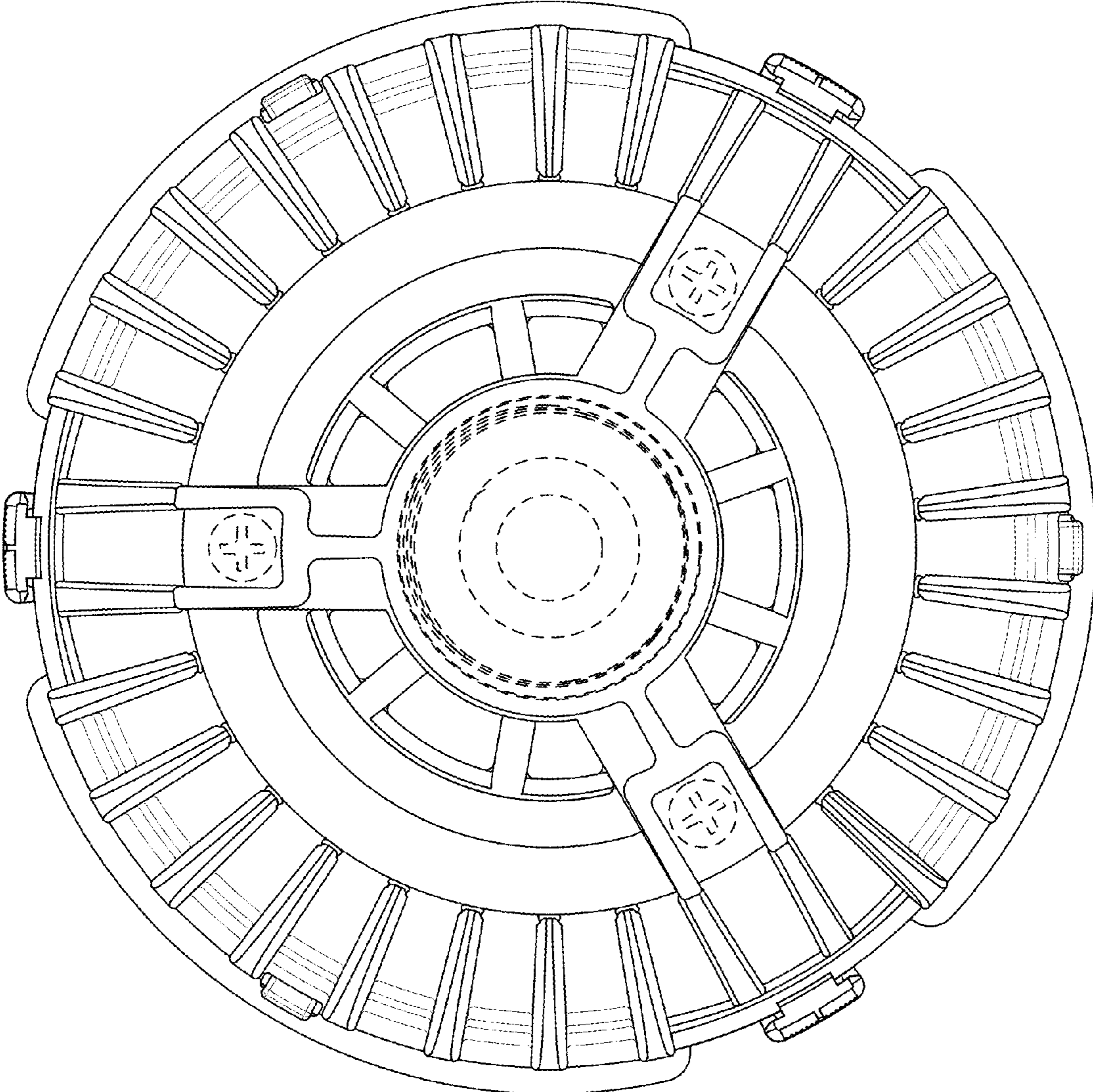


FIG. 7

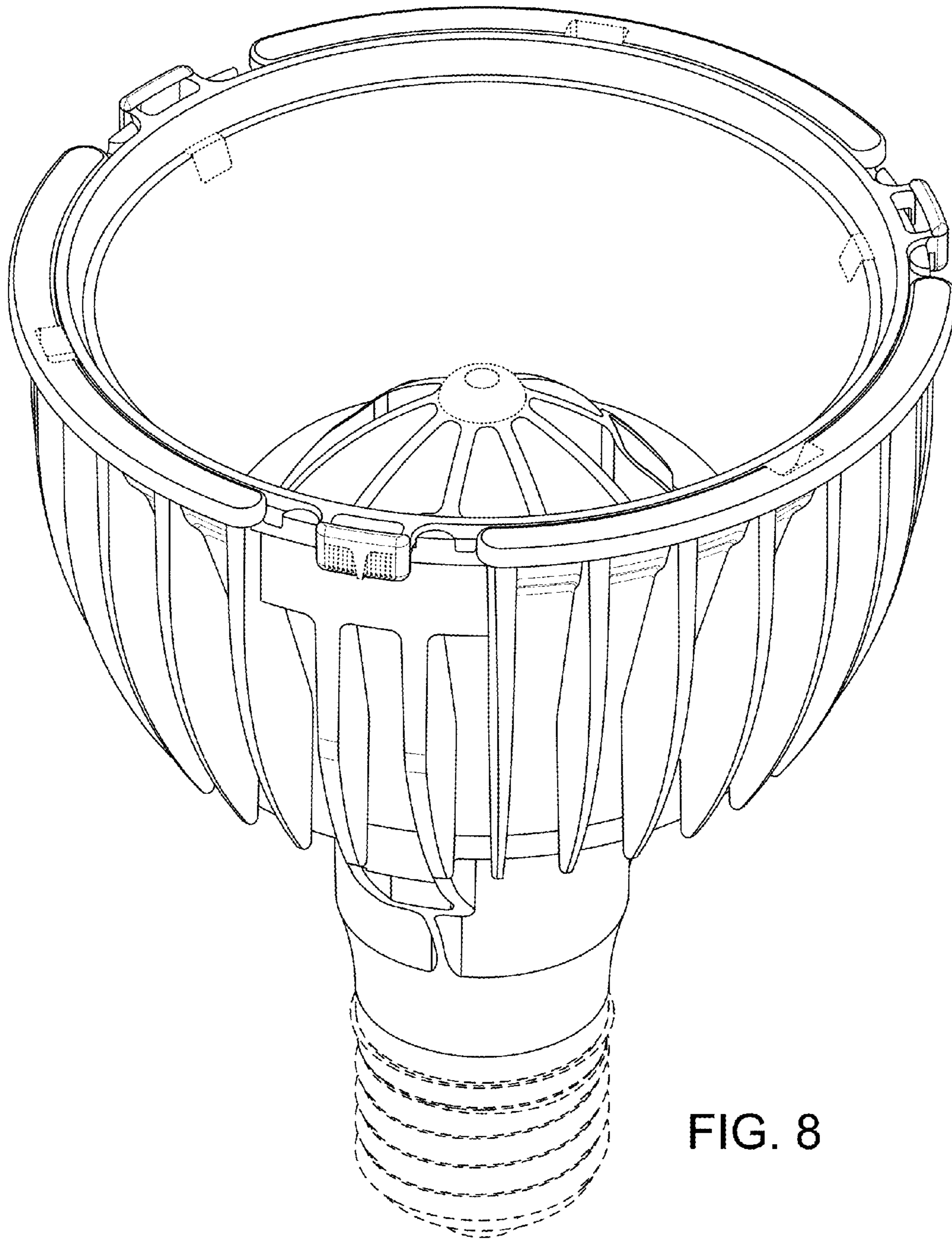


FIG. 8

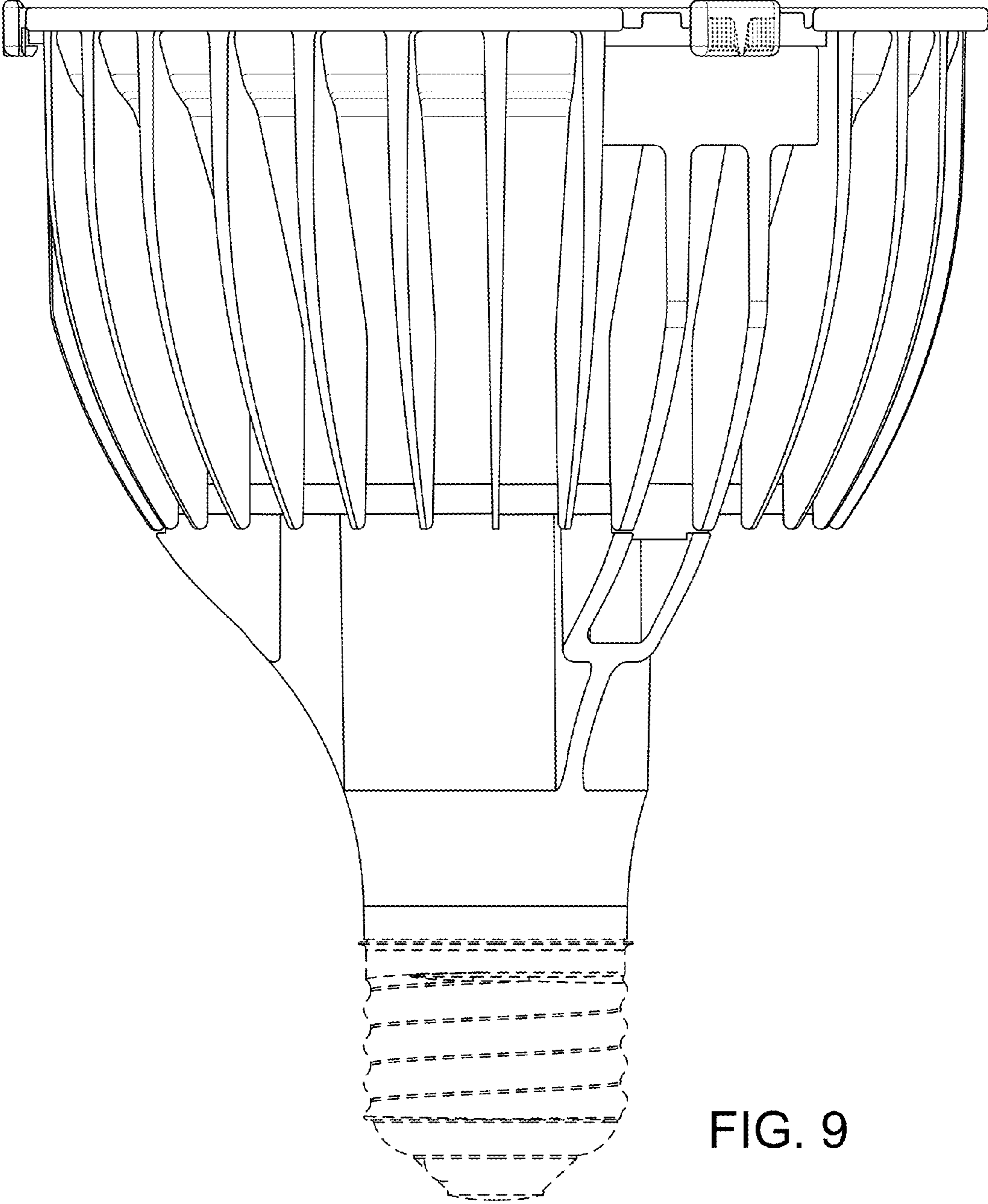


FIG. 9

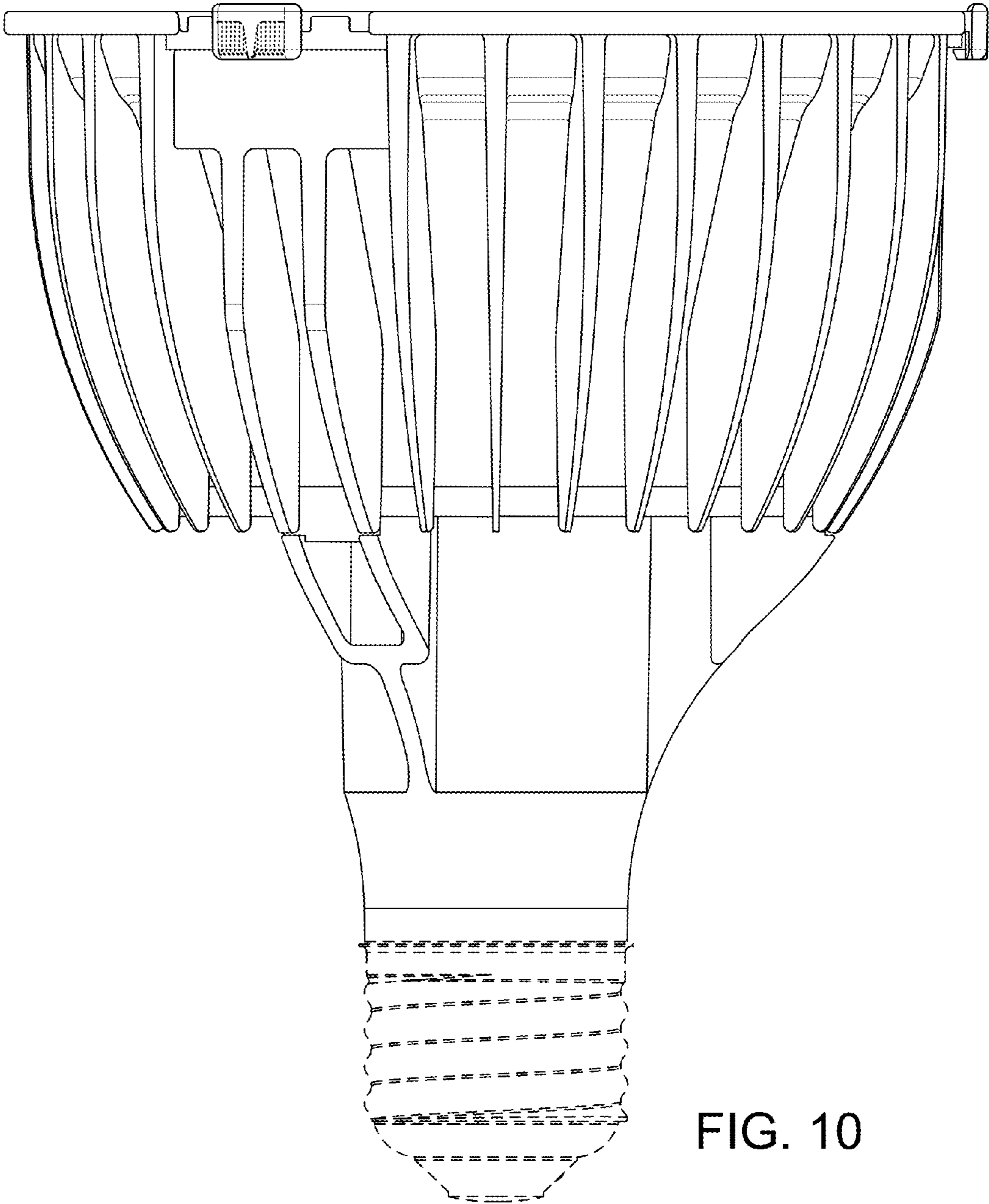


FIG. 10

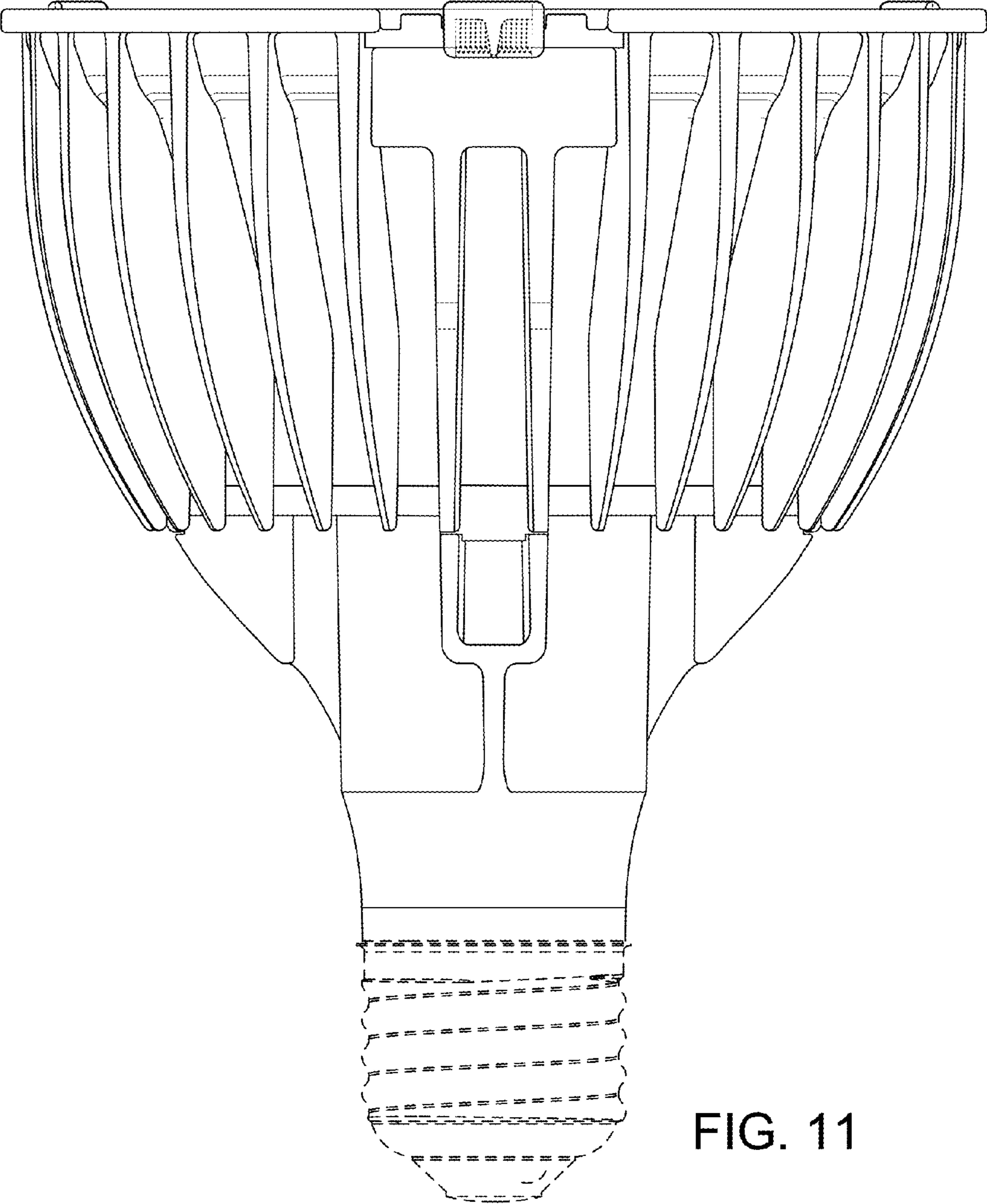


FIG. 11

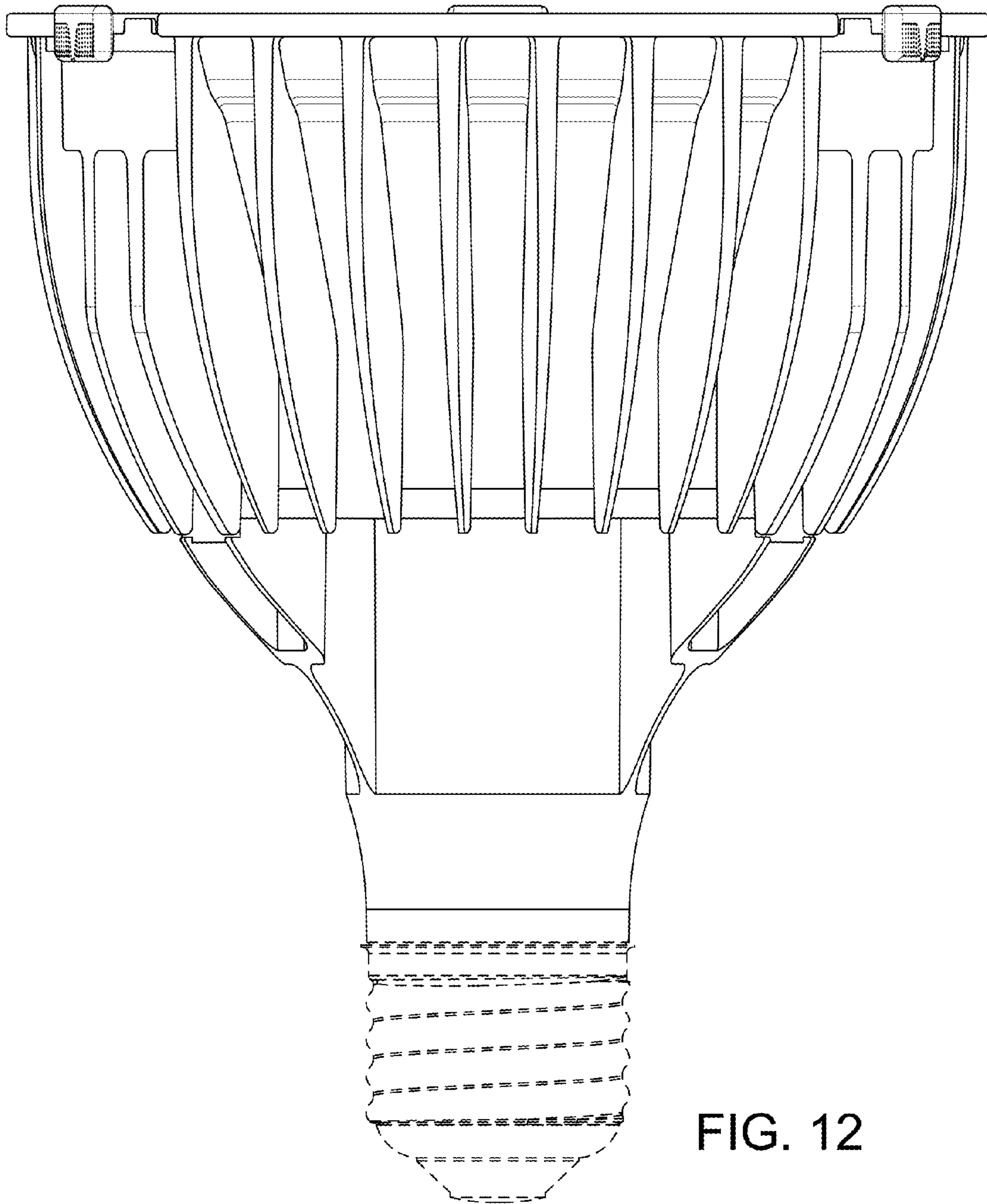


FIG. 12

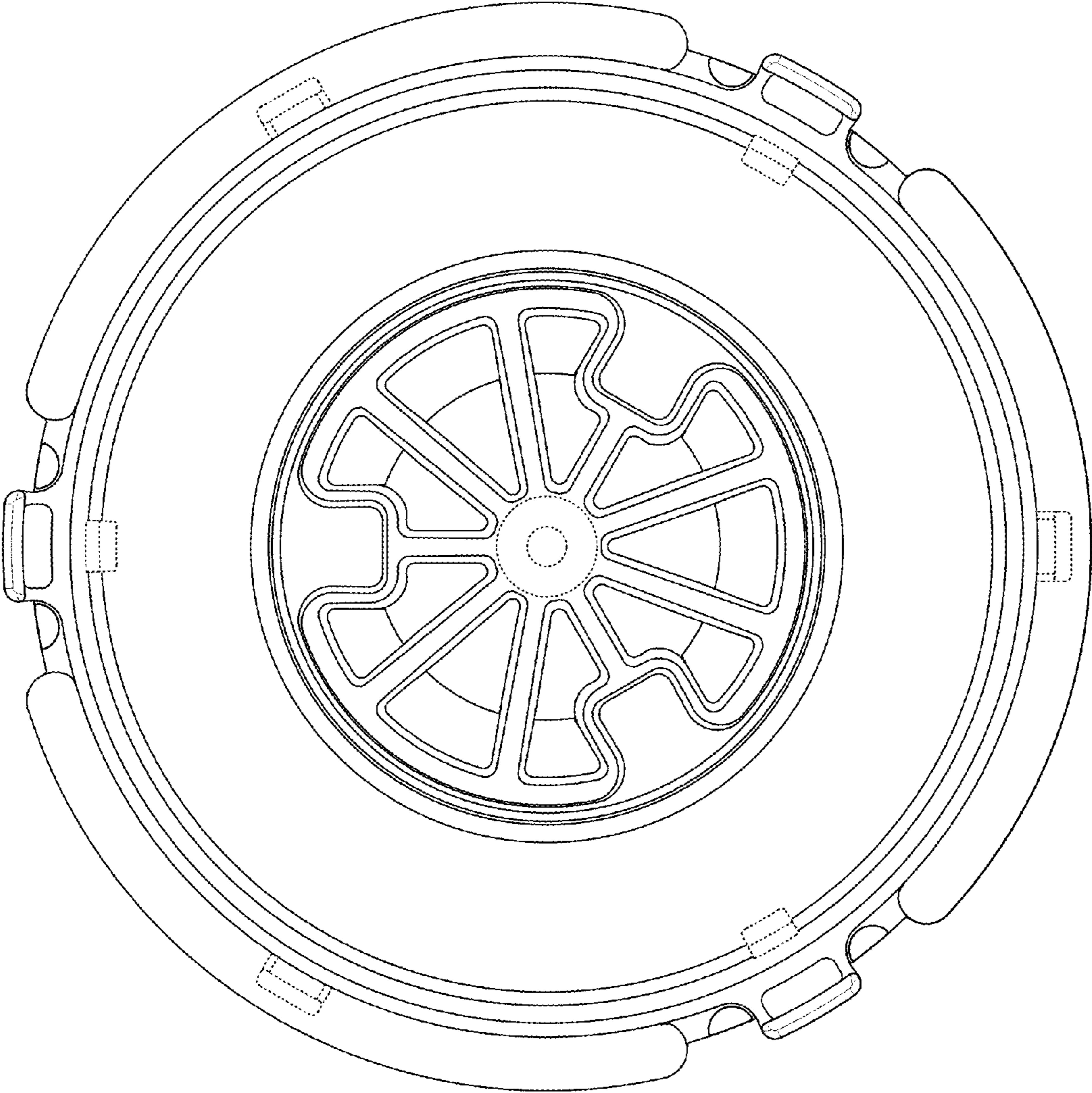


FIG. 13

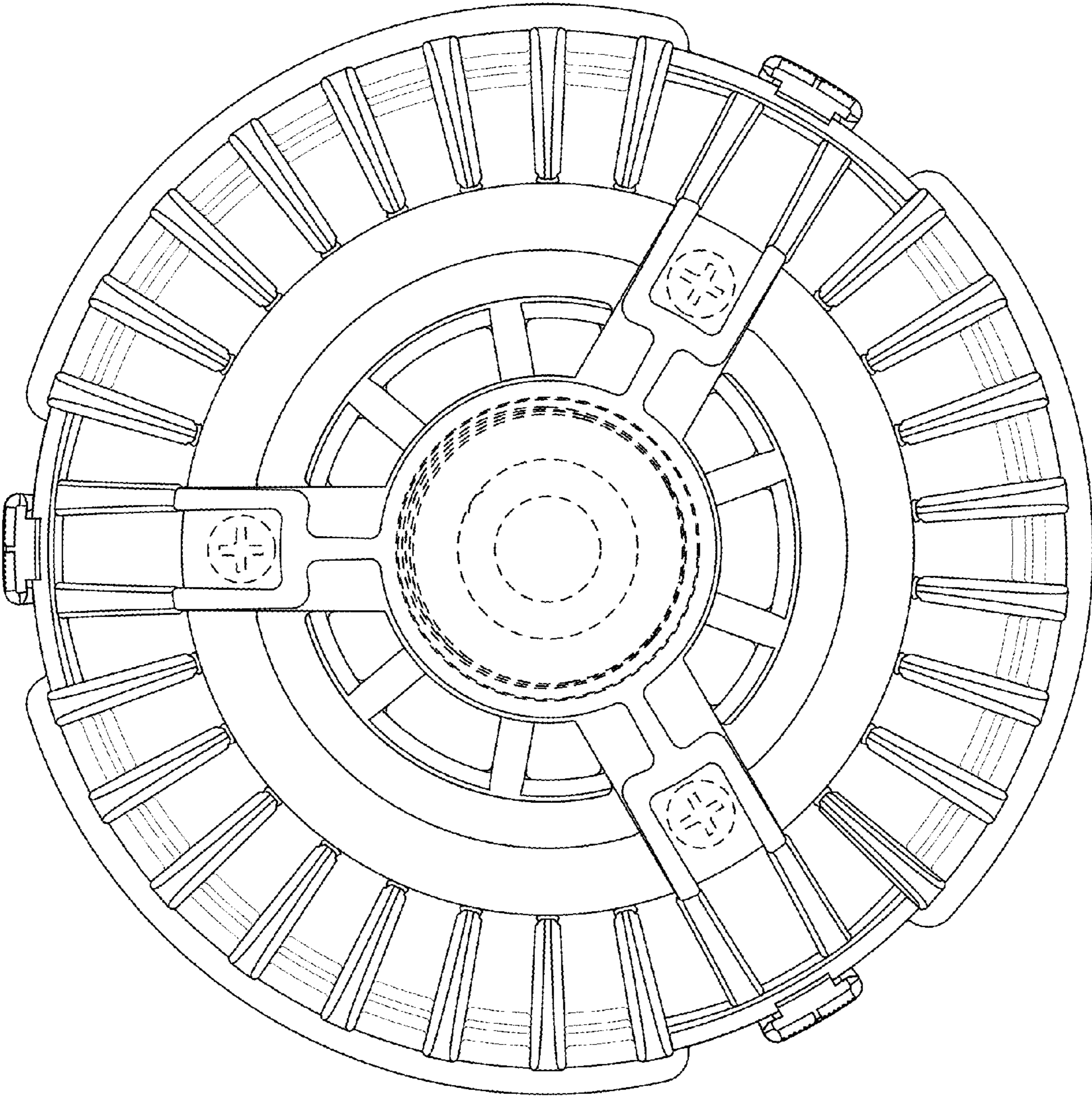


FIG. 14