



US00D729955S

(12) **United States Design Patent**  
**Hockemeyer**

(10) **Patent No.:** **US D729,955 S**

(45) **Date of Patent:** **\*\* May 19, 2015**

(54) **LIGHT BULB**

(71) Applicant: **GT BiomeScilt Light Limited,**  
Kowloon (HK)

(72) Inventor: **Martin Hockemeyer,** Kowloon (HK)

(73) Assignee: **GT BIOMESCILT LIGHT LIMITED,**  
Kowloon (HK)

(\*\*) Term: **14 Years**

(21) Appl. No.: **29/446,388**

(22) Filed: **Feb. 22, 2013**

(30) **Foreign Application Priority Data**

Aug. 31, 2012 (HK) ..... 1201732.7M006

(51) **LOC (10) Cl.** ..... **26-04**

(52) **U.S. Cl.**  
USPC ..... **D26/2**

(58) **Field of Classification Search**  
USPC ..... D26/1-4; 313/313, 315, 316, 317, 318,  
313/493; 315/52, 53, 56, 57, 58  
See application file for complete search history.

(56) **References Cited**

U.S. PATENT DOCUMENTS

D497,439 S \* 10/2004 Shaw et al. .... D26/2  
D676,985 S \* 2/2013 Boomgaarden et al. .... D26/2  
D695,425 S \* 12/2013 Su ..... D26/2

\* cited by examiner

*Primary Examiner* — Marcus Jackson

(74) *Attorney, Agent, or Firm* — Seed IP Law Group PLLC

(57) **CLAIM**

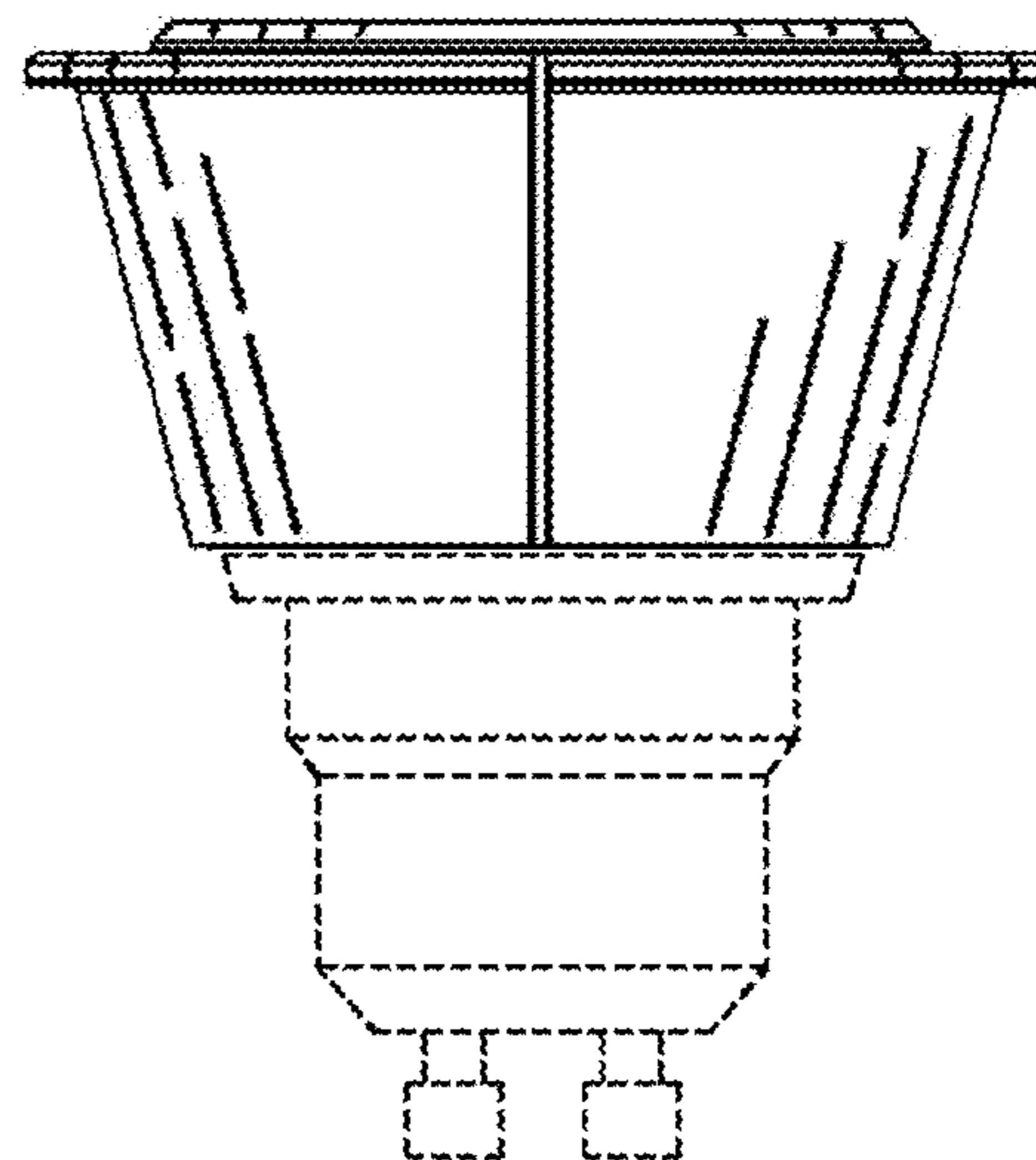
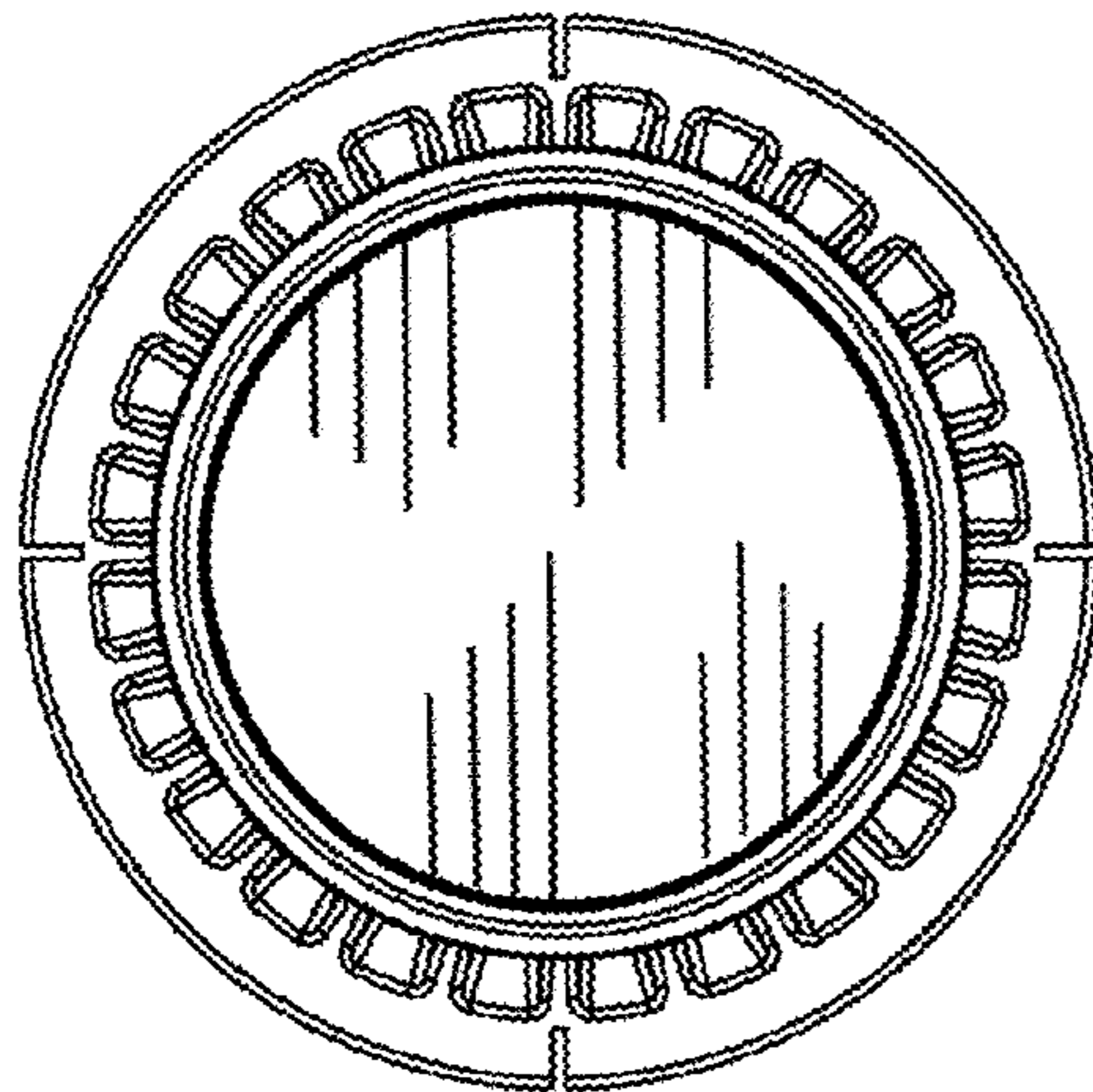
The ornamental design for a light bulb, as shown and described.

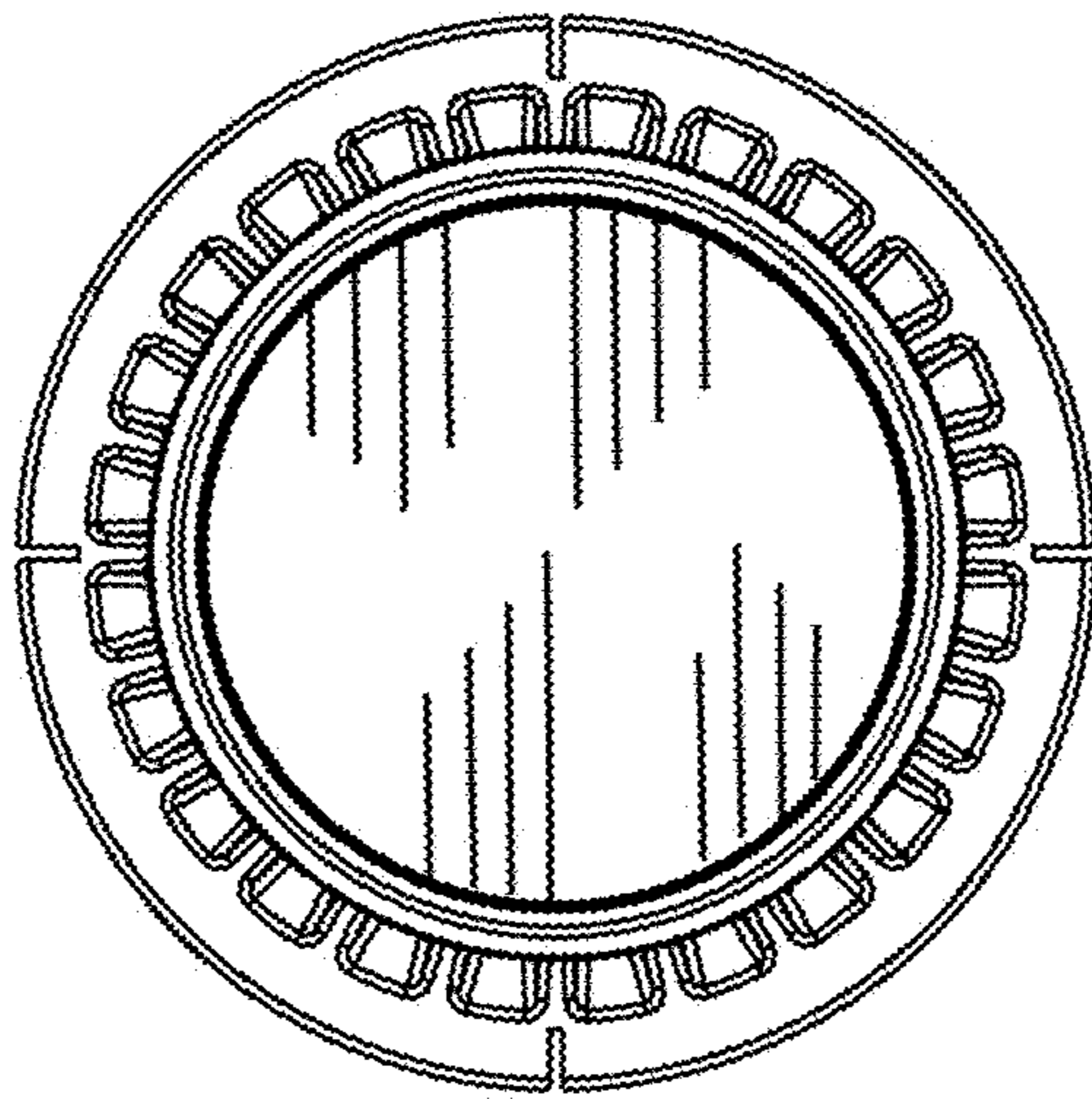
**DESCRIPTION**

FIG. 1 is a top view of a light bulb showing my new design;  
FIG. 2 is a first side view thereof;  
FIG. 3 is a second side view thereof;  
FIG. 4 is a third side view thereof;  
FIG. 5 is a fourth side view thereof; and,  
FIG. 6 is a bottom view thereof.

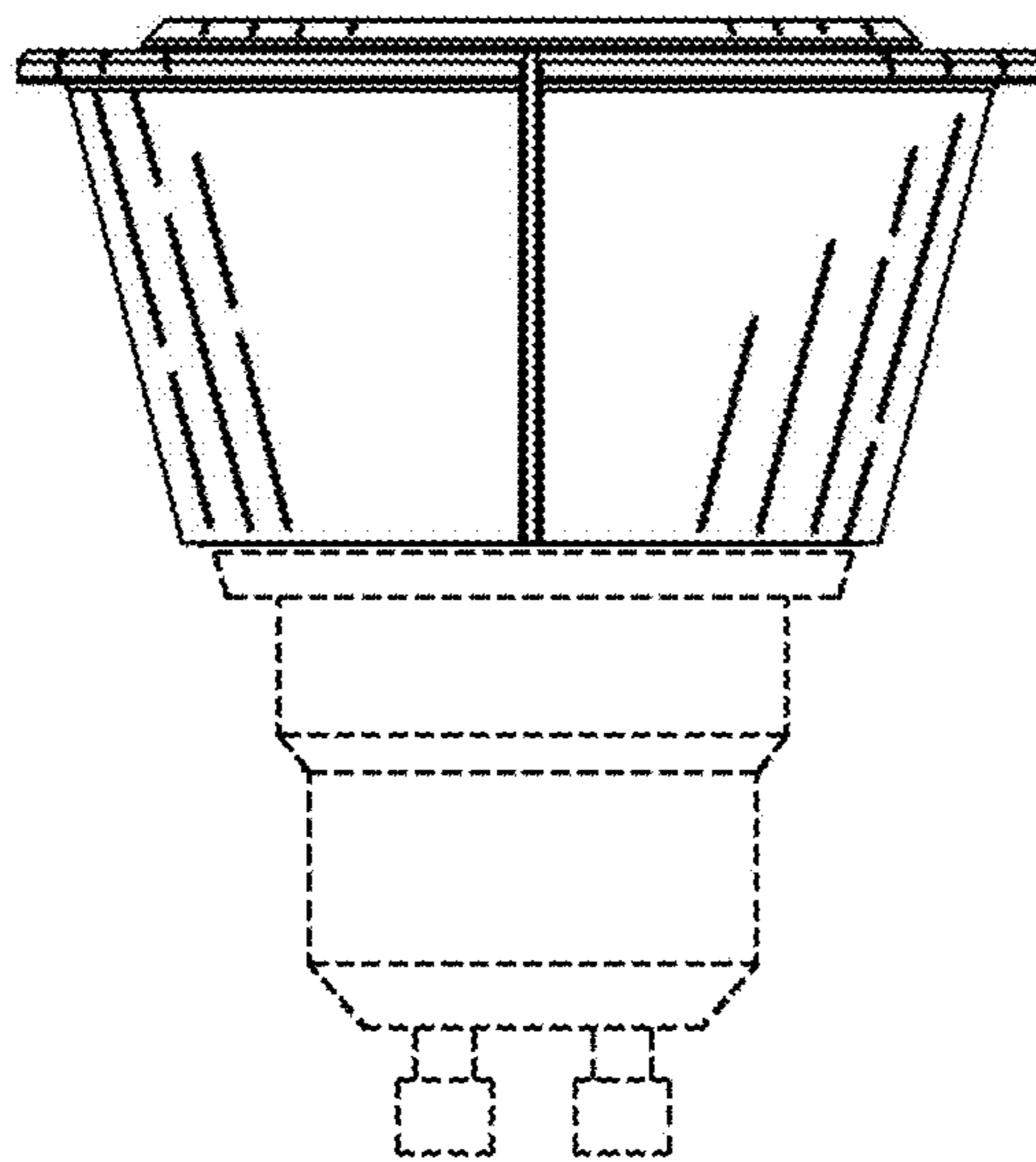
The broken lines in the figures are for illustrative purposes only and form no part of the claimed design.

**1 Claim, 3 Drawing Sheets**

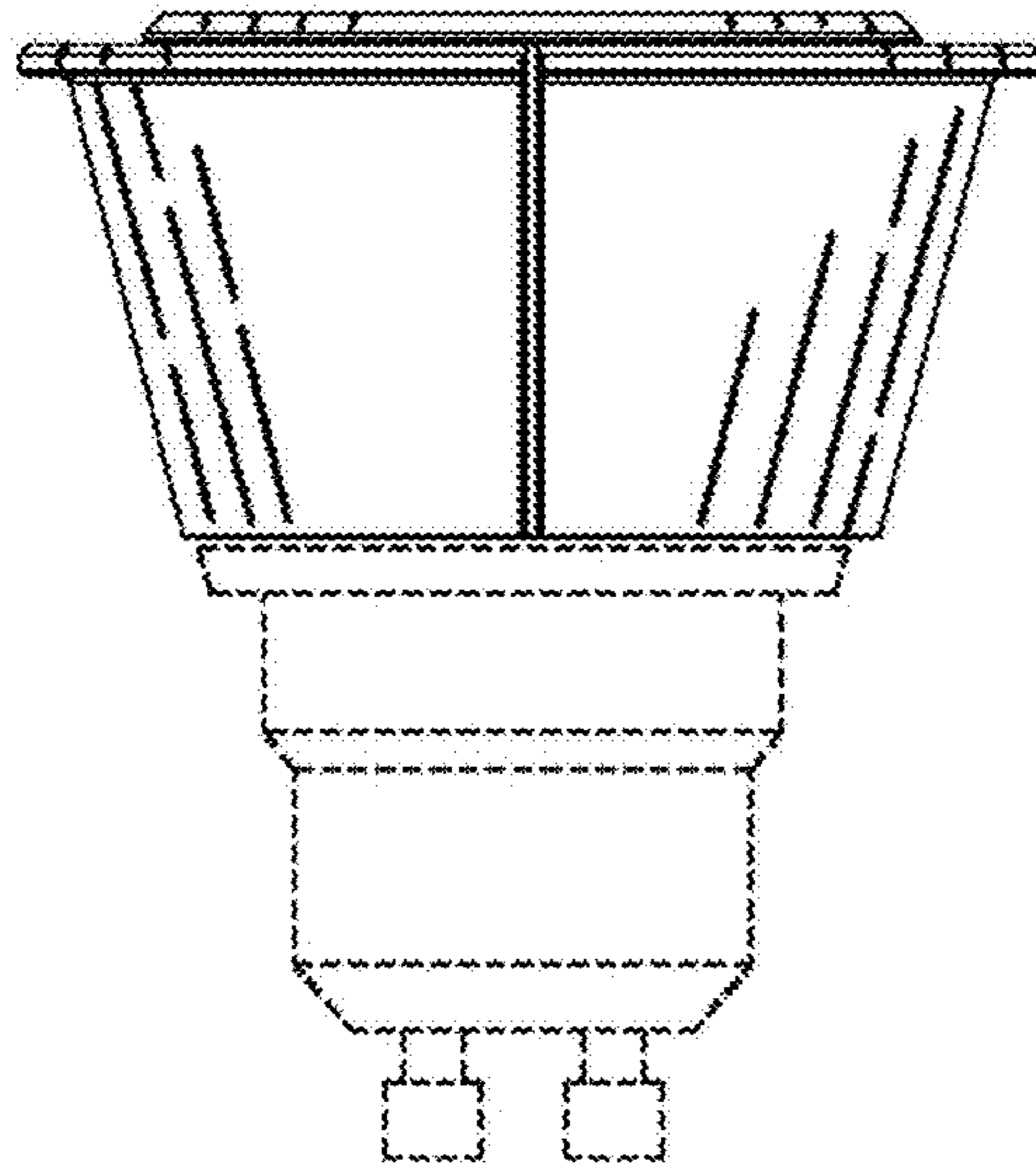




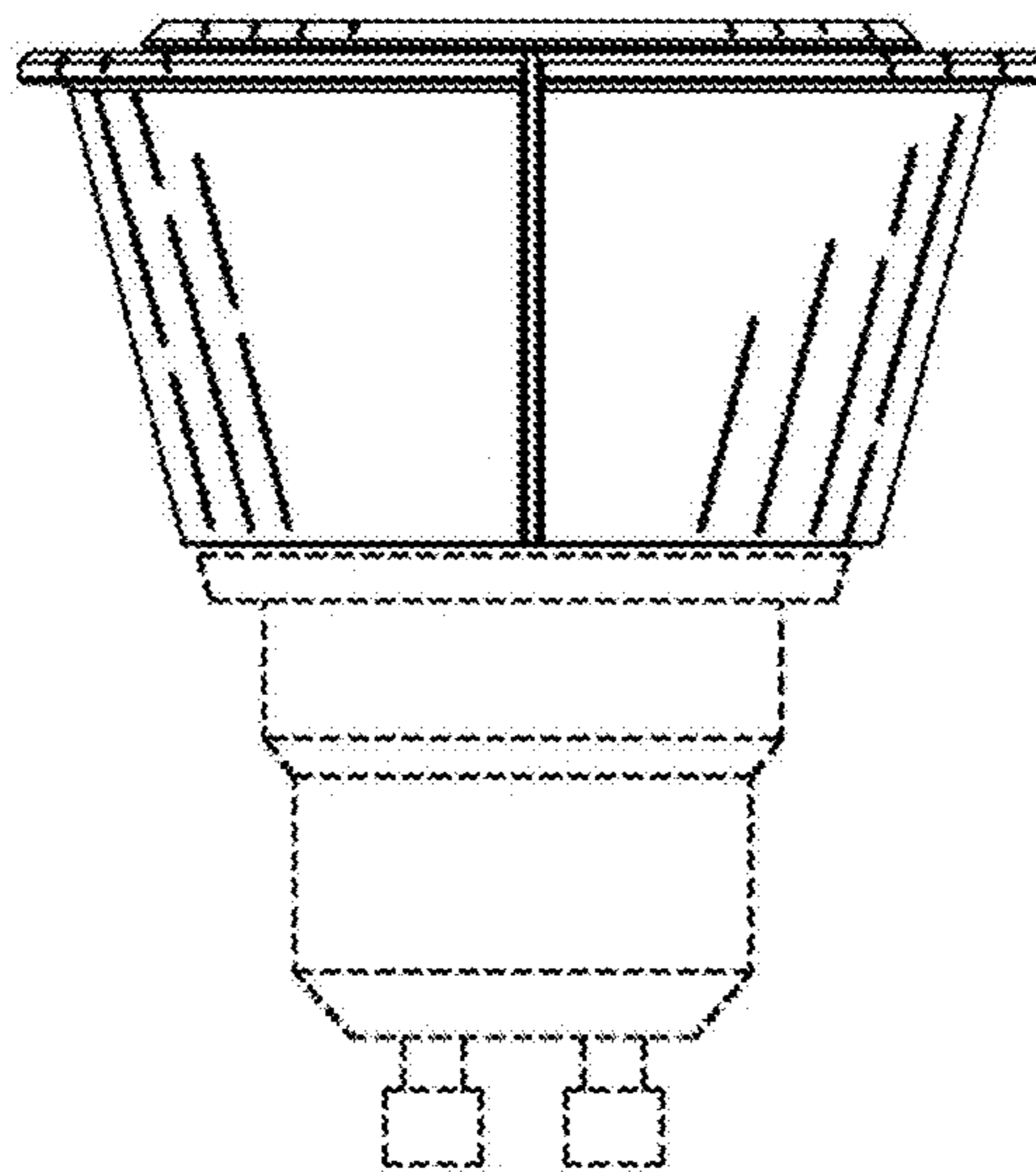
*FIG. 1*



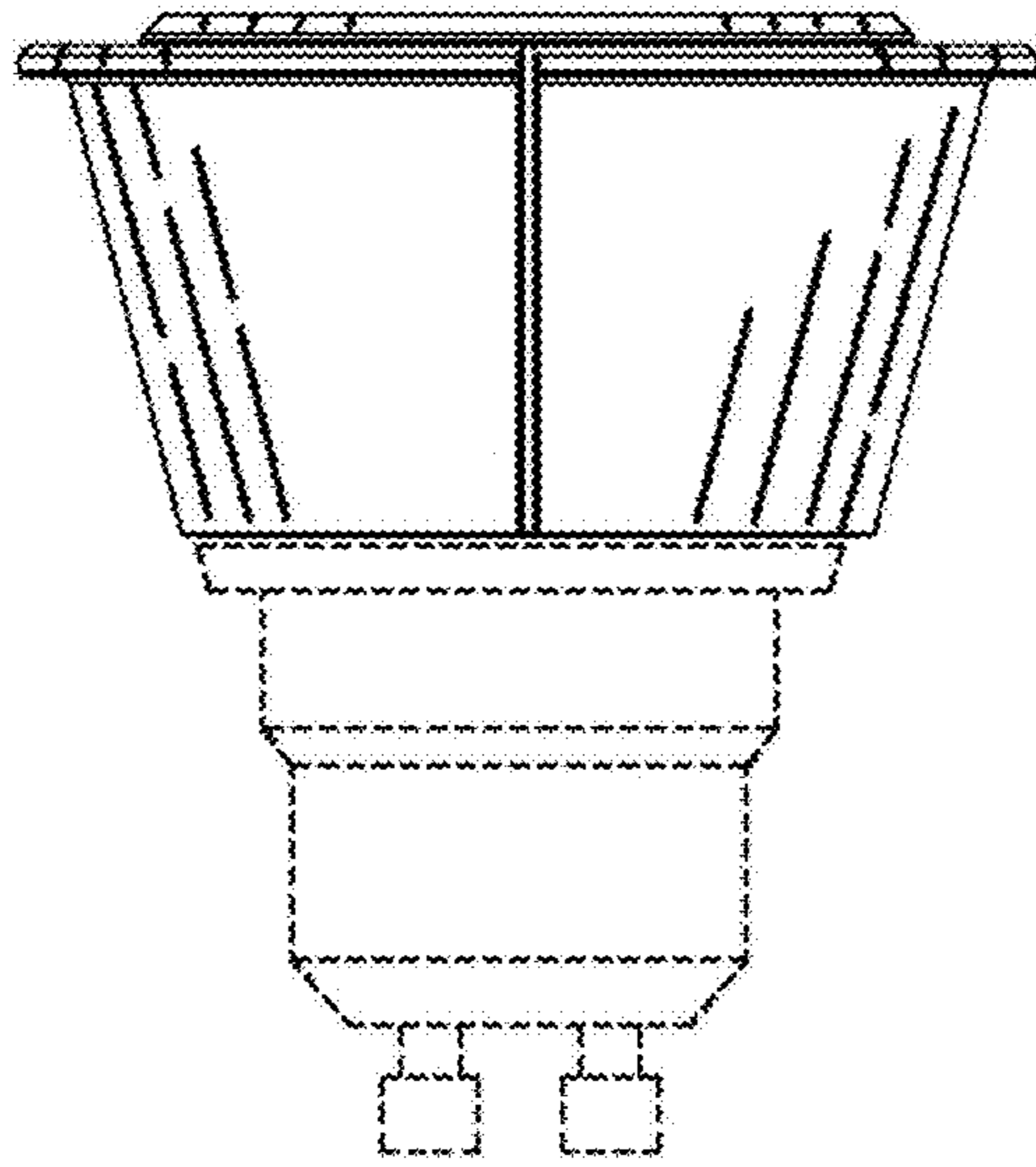
*FIG. 2*



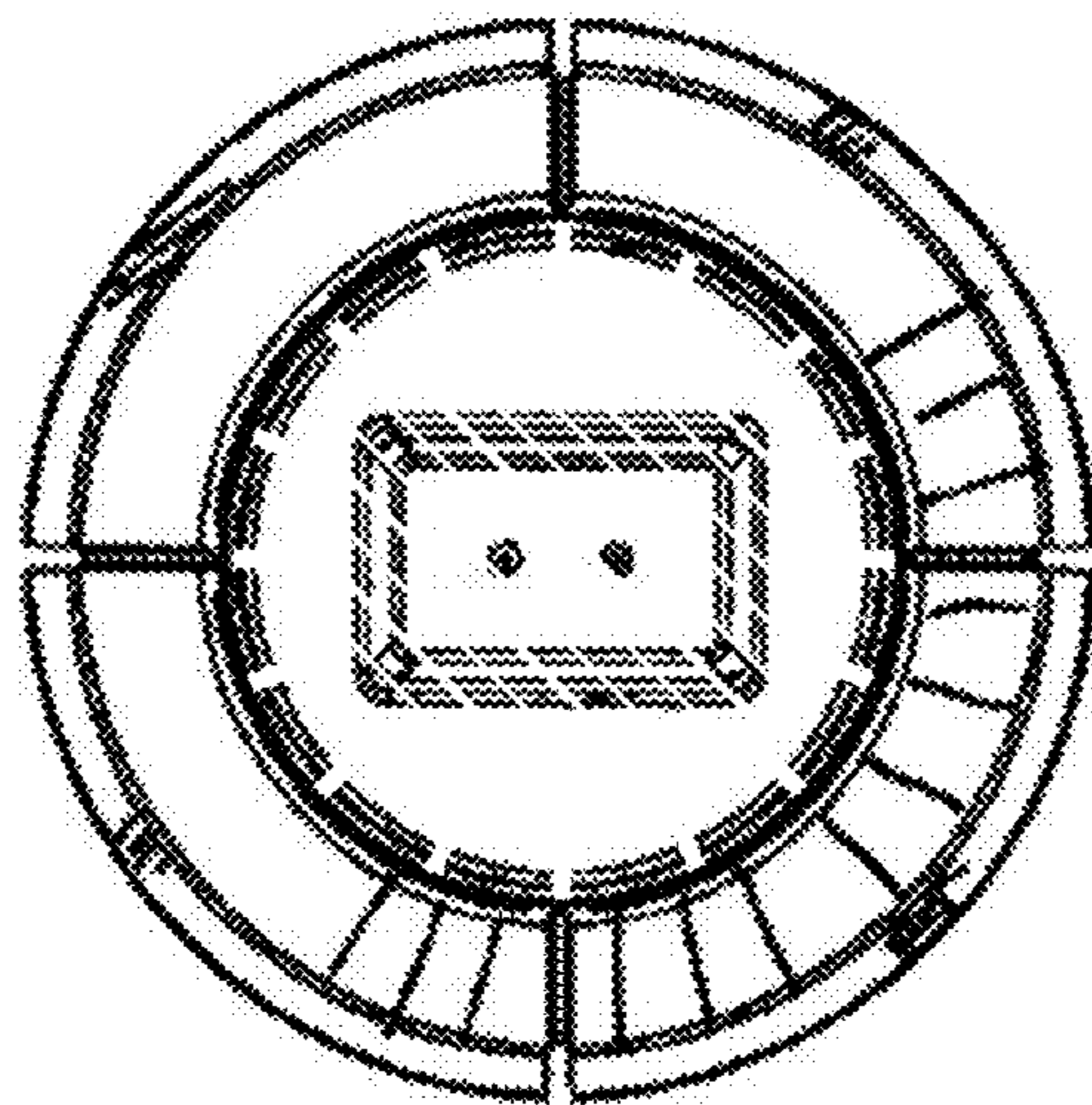
*FIG. 3*



*FIG. 4*



*FIG. 5*



*FIG. 6*