



US00D729954S

(12) **United States Design Patent**
Hockemeyer

(10) **Patent No.:** **US D729,954 S**

(45) **Date of Patent:** **** May 19, 2015**

(54) **LIGHT BULB**

(71) Applicant: **GT BiomeScilt Light Limited**, Hong Kong (HK)

(72) Inventor: **Martin Hockemeyer**, Kowloon (HK)

(73) Assignee: **GT BIOMESCILT LIGHT LIMITED**, Kowloon (HK)

(**) Term: **14 Years**

(21) Appl. No.: **29/446,384**

(22) Filed: **Feb. 22, 2013**

(30) **Foreign Application Priority Data**

Aug. 31, 2012 (HK) 1201732.7M001

(51) **LOC (10) Cl.** **26-04**

(52) **U.S. Cl.**
USPC **D26/2**

(58) **Field of Classification Search**
USPC D26/1-4; 313/313, 315, 316, 317, 318,
313/493; 315/52, 53, 56, 57, 58

See application file for complete search history.

(56) **References Cited**

U.S. PATENT DOCUMENTS

D532,532 S *	11/2006	Maxik	D26/2
D544,110 S *	6/2007	Hooker et al.	D26/2
D566,300 S *	4/2008	Lo	D26/2
D581,555 S *	11/2008	To et al.	D26/2
D584,838 S *	1/2009	To et al.	D26/2
D610,722 S *	2/2010	Bi	D26/2

* cited by examiner

Primary Examiner — Marcus Jackson

(74) *Attorney, Agent, or Firm* — Seed IP Law Group PLLC

(57) **CLAIM**

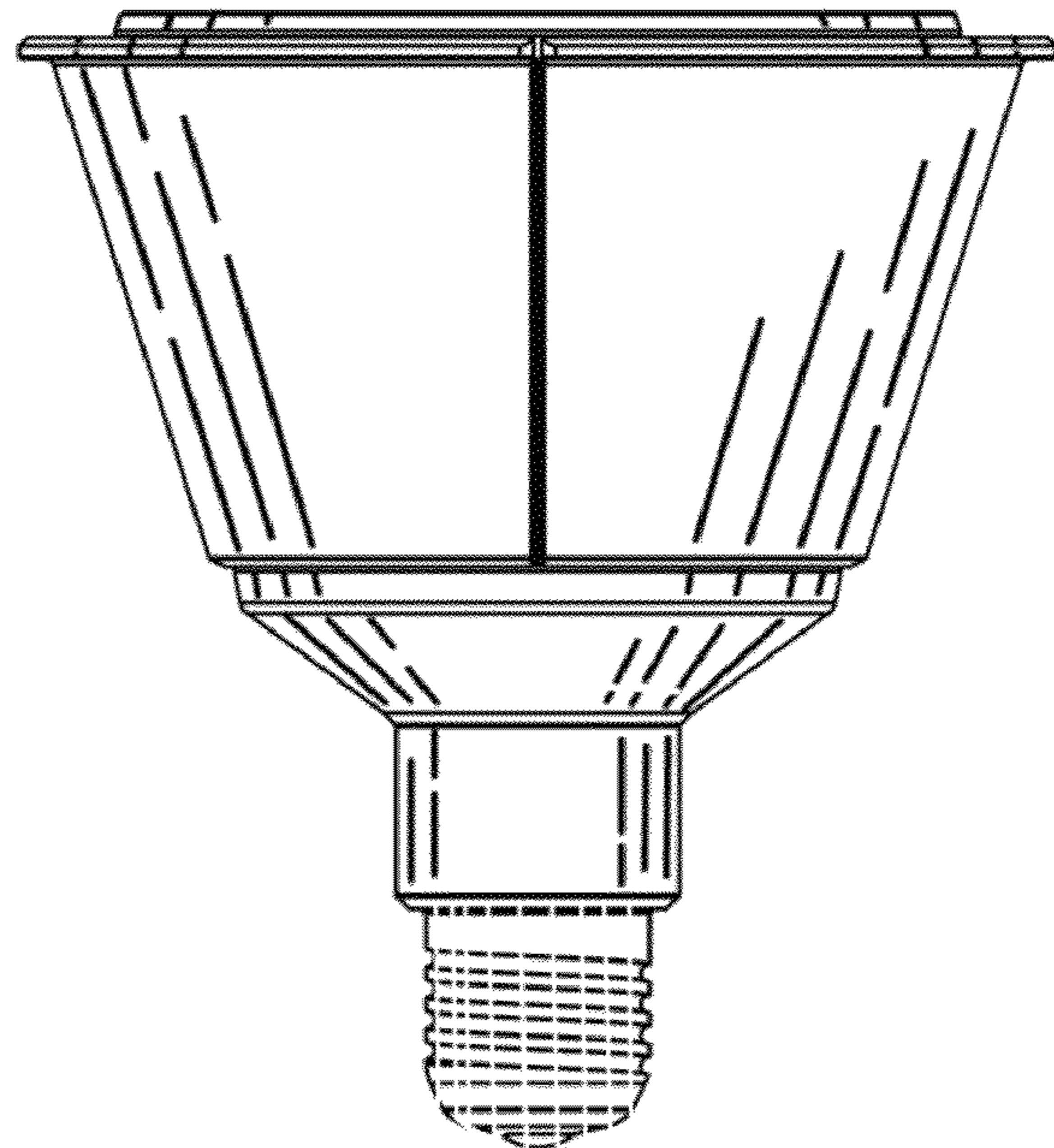
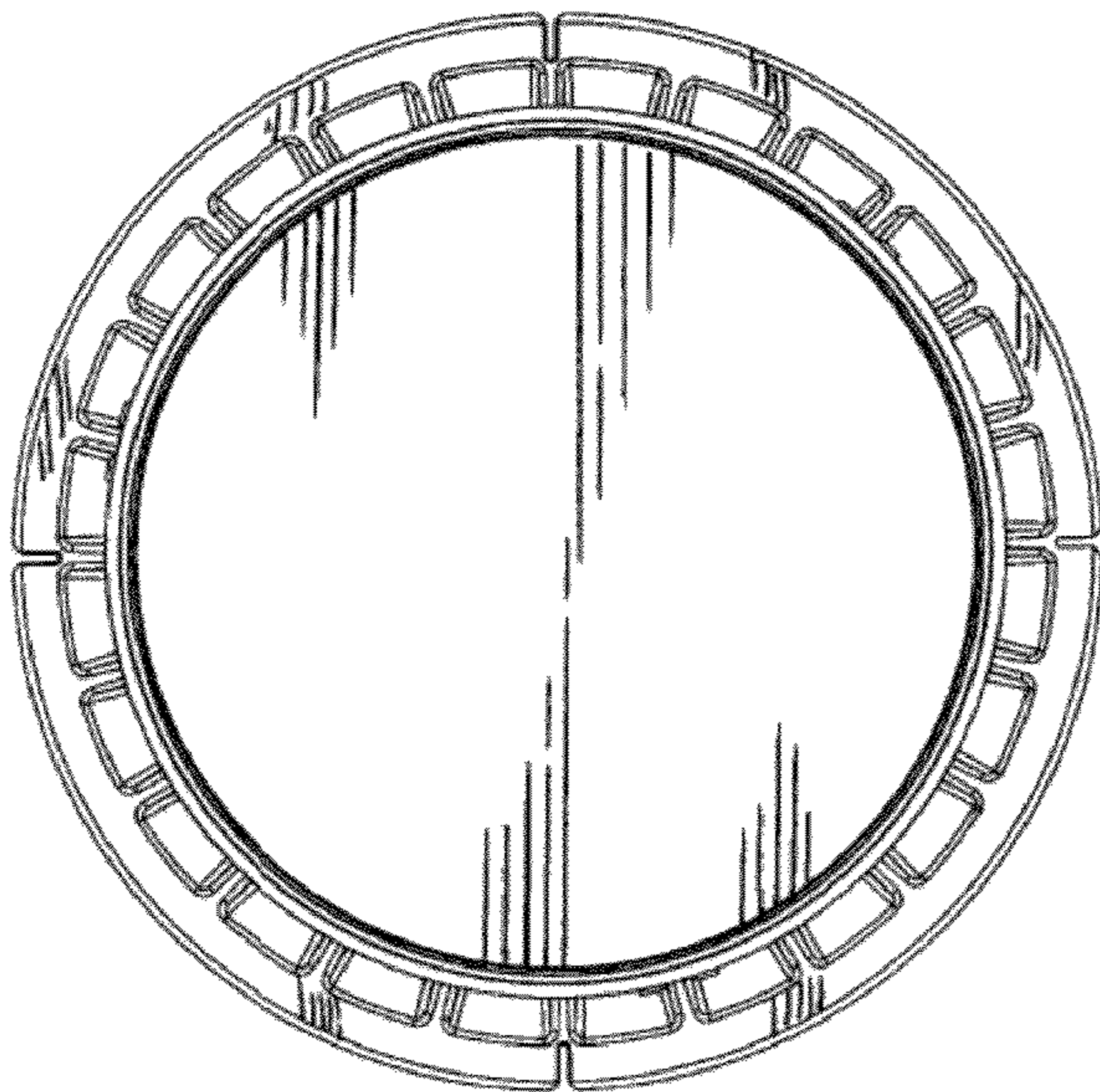
The ornamental design for a light bulb, as shown and described.

DESCRIPTION

FIG. 1 is a top view of a light bulb showing my new design. FIG. 2 is a first side view thereof. FIG. 3 is a second side view thereof. FIG. 4 is a third side view thereof. FIG. 5 is a fourth side view thereof; and, FIG. 6 is a bottom view thereof.

The broken lines in the figures are for illustrative purposes only and form no part of the claimed design.

1 Claim, 3 Drawing Sheets



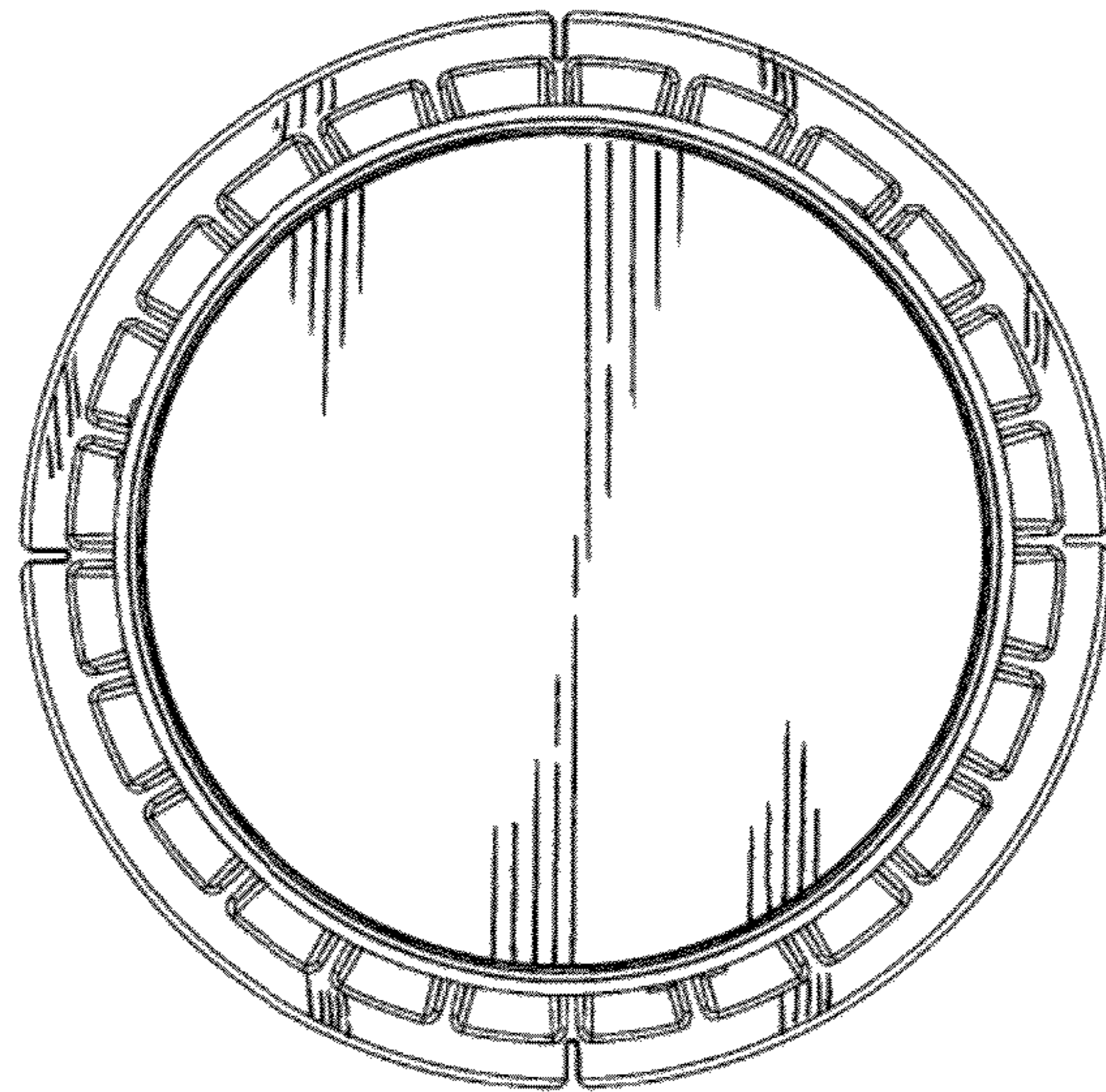


FIG. 1

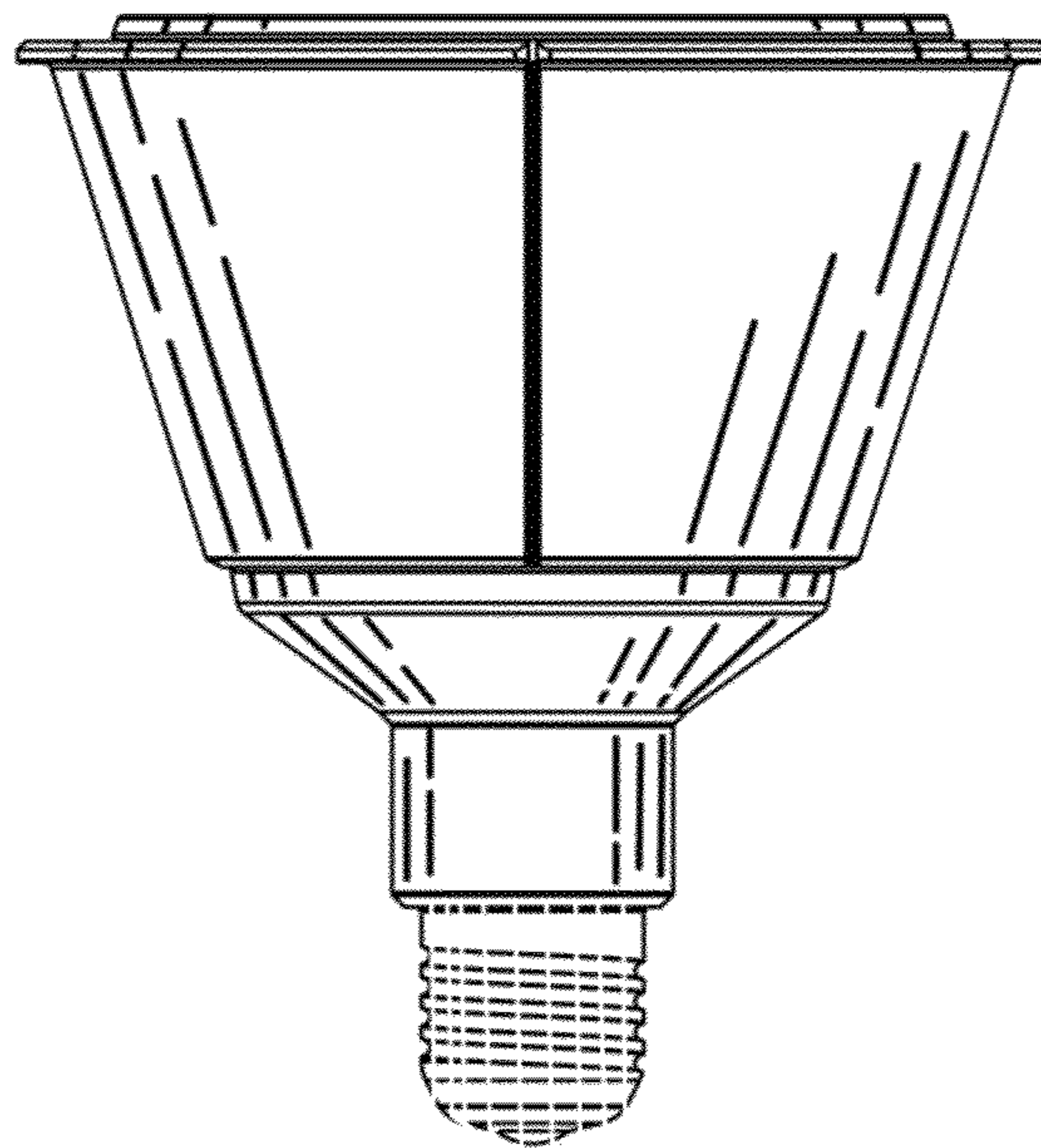


FIG. 2

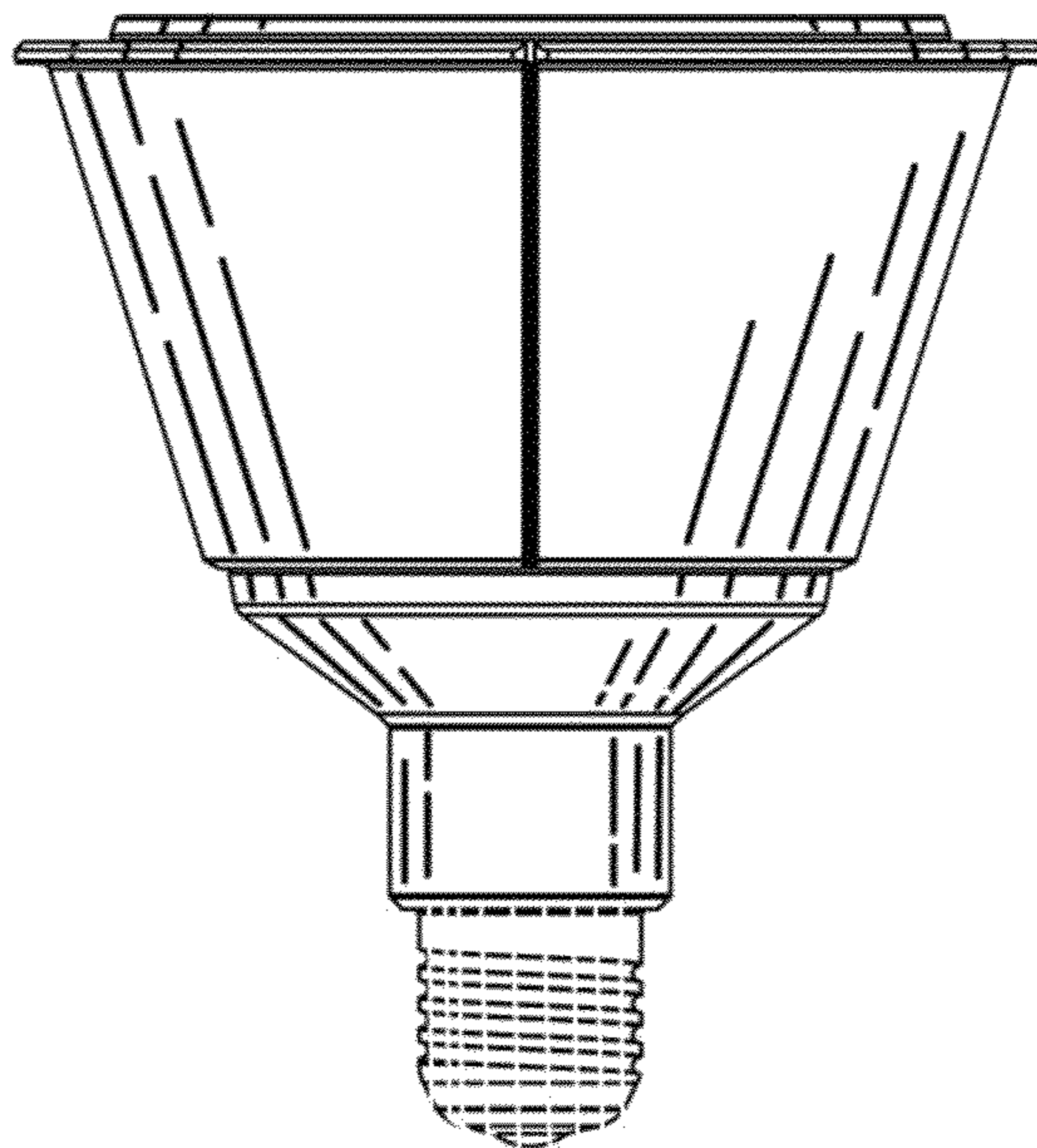


FIG. 3

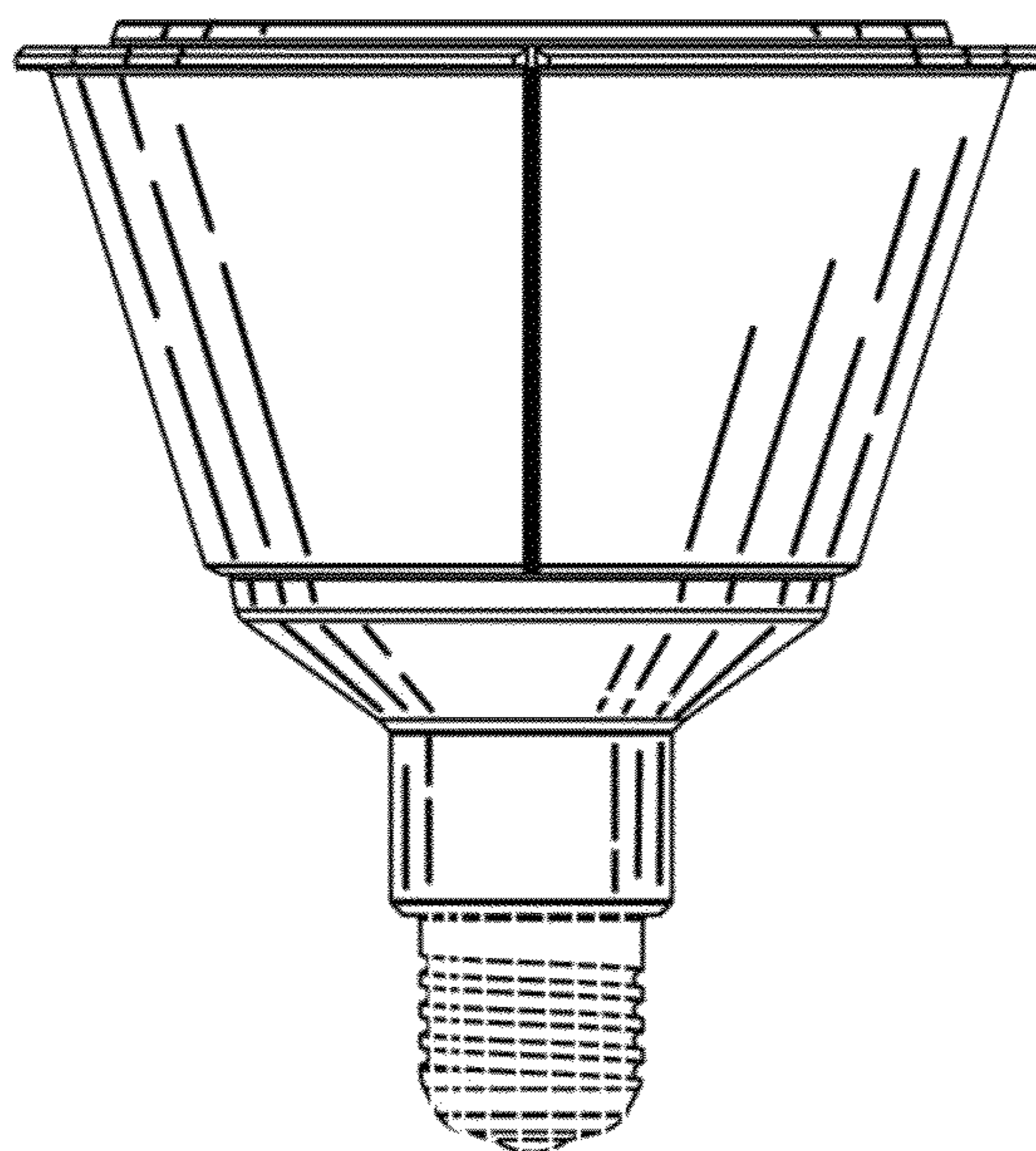


FIG. 4

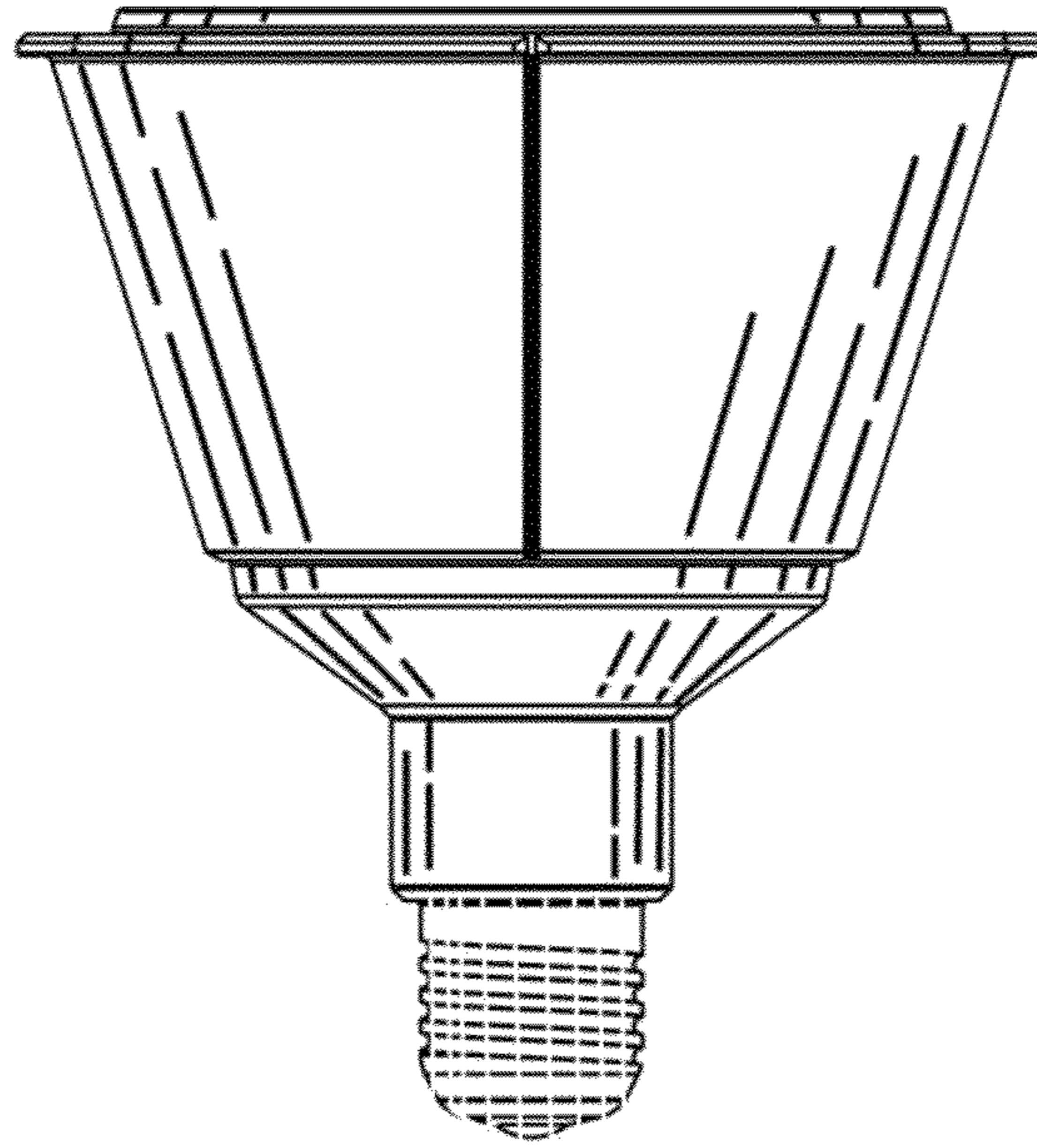


FIG. 5

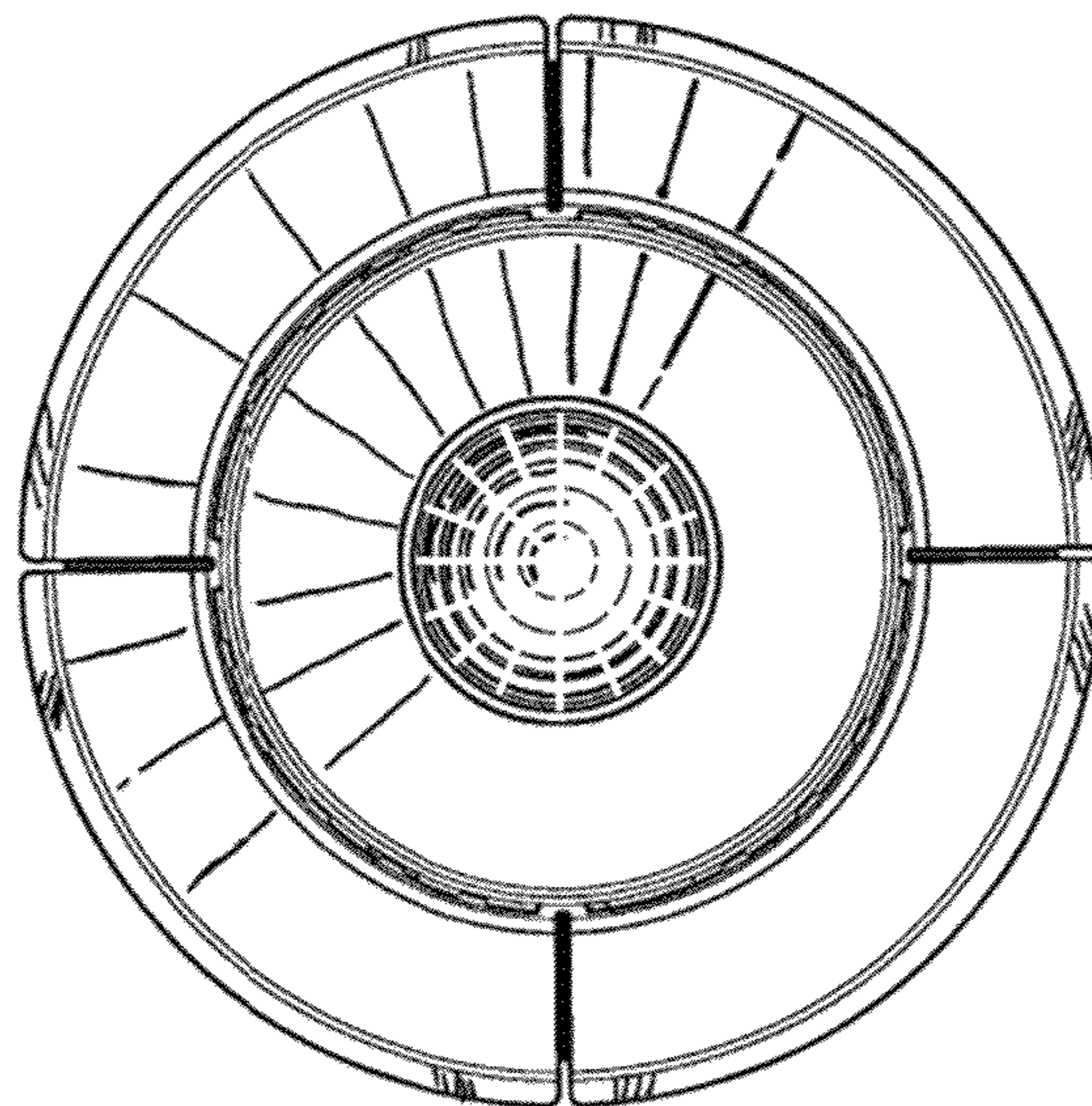


FIG. 6