



US00D729949S

(12) **United States Design Patent**
Hartman et al.

(10) **Patent No.:** **US D729,949 S**
(45) **Date of Patent:** **** May 19, 2015**

(54) **BEADBOARD PANEL**

(71) Applicant: **Chelsea Building Products, Inc.,**
Oakmont, PA (US)

(72) Inventors: **Gary Hartman, Gibsonsia, PA (US);**
Eric Stankay, Gibsonsia, PA (US)

(73) Assignee: **Chelsea Building Products, Inc.,**
Oakmont, PA (US)

(**) Term: **14 Years**

(21) Appl. No.: **29/461,904**

(22) Filed: **Jul. 29, 2013**

(51) **LOC (10) Cl.** **25-01**

(52) **U.S. Cl.**
USPC **D25/138; D25/119**

(58) **Field of Classification Search**
USPC D25/119, 138; 52/588.1, 589.1, 590.2,
52/590.1, 506.01, 578

See application file for complete search history.

(56) **References Cited**

U.S. PATENT DOCUMENTS

2,872,712 A * 2/1959 Brown et al. 52/578
D603,066 S * 10/2009 Warren et al. D25/138
2011/0113712 A1 * 5/2011 Liu 52/313

* cited by examiner

Primary Examiner — Doris Clark

(74) *Attorney, Agent, or Firm* — Drinker Biddle & Reath
LLP

(57) **CLAIM**

The ornamental design for a beadboard panel, as shown and described.

DESCRIPTION

FIG. 1 is a front perspective view of a beadboard panel according to the present invention, the broken edge indicating that the length or the extrusion continues.

FIG. 2 is a front view of the beadboard panel of FIG. 1.

FIG. 3 is a rear view of the beadboard panel of FIG. 1.

FIG. 4 is a top view of the beadboard panel of FIG. 1.

FIG. 5 is a bottom view of the beadboard panel of FIG. 1.

FIG. 6 is a left side view of the beadboard panel of FIG. 1.

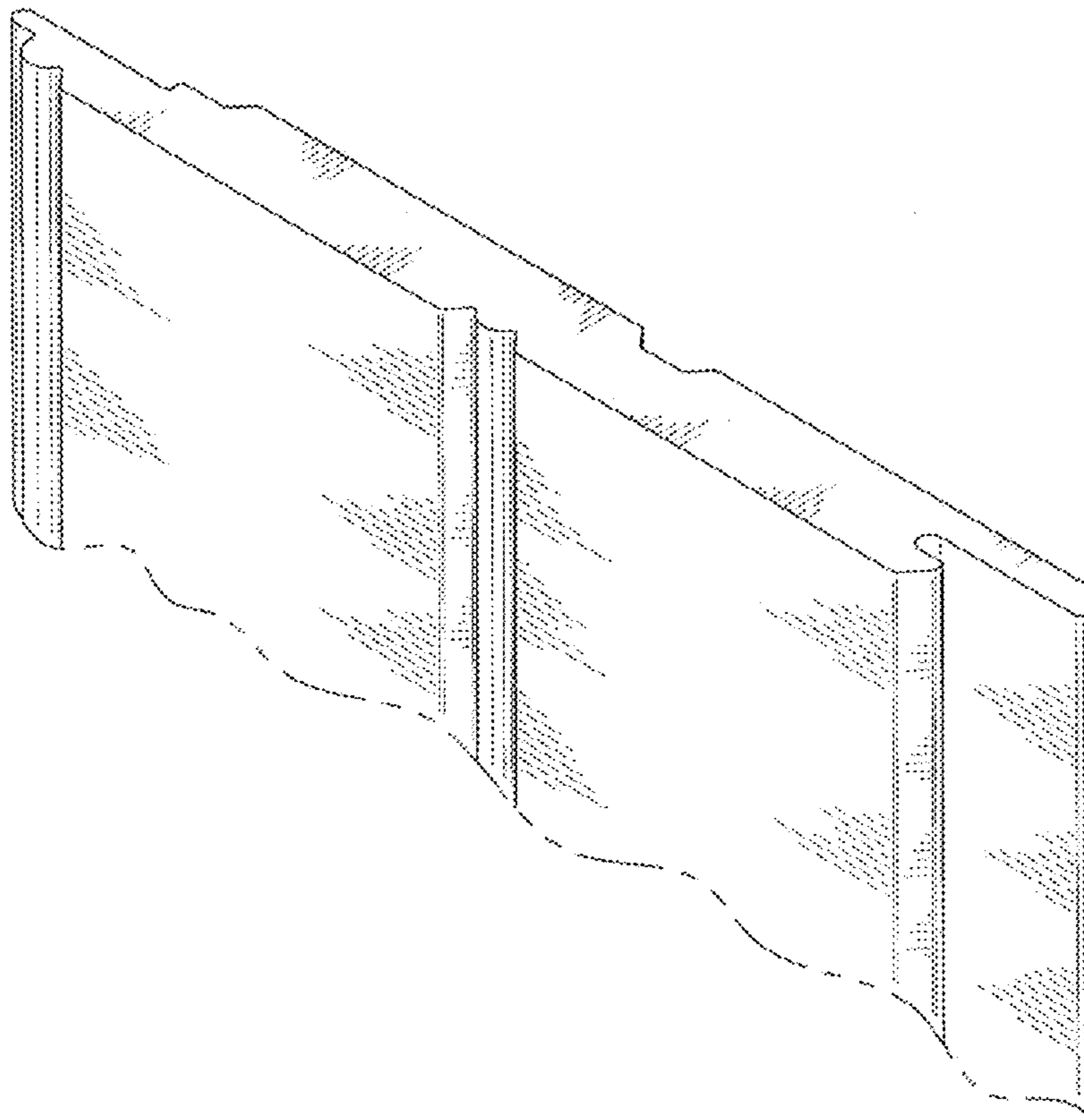
FIG. 7 is a right side view of the beadboard panel of FIG. 1.

FIG. 8 is a rear perspective view of the beadboard panel of FIG. 1; and,

FIG. 9 is a front perspective view of two beadboard panels of FIG. 1 engaged to one another.

The portions of the design shown in dashed lines do not form a part of the claimed invention.

1 Claim, 5 Drawing Sheets



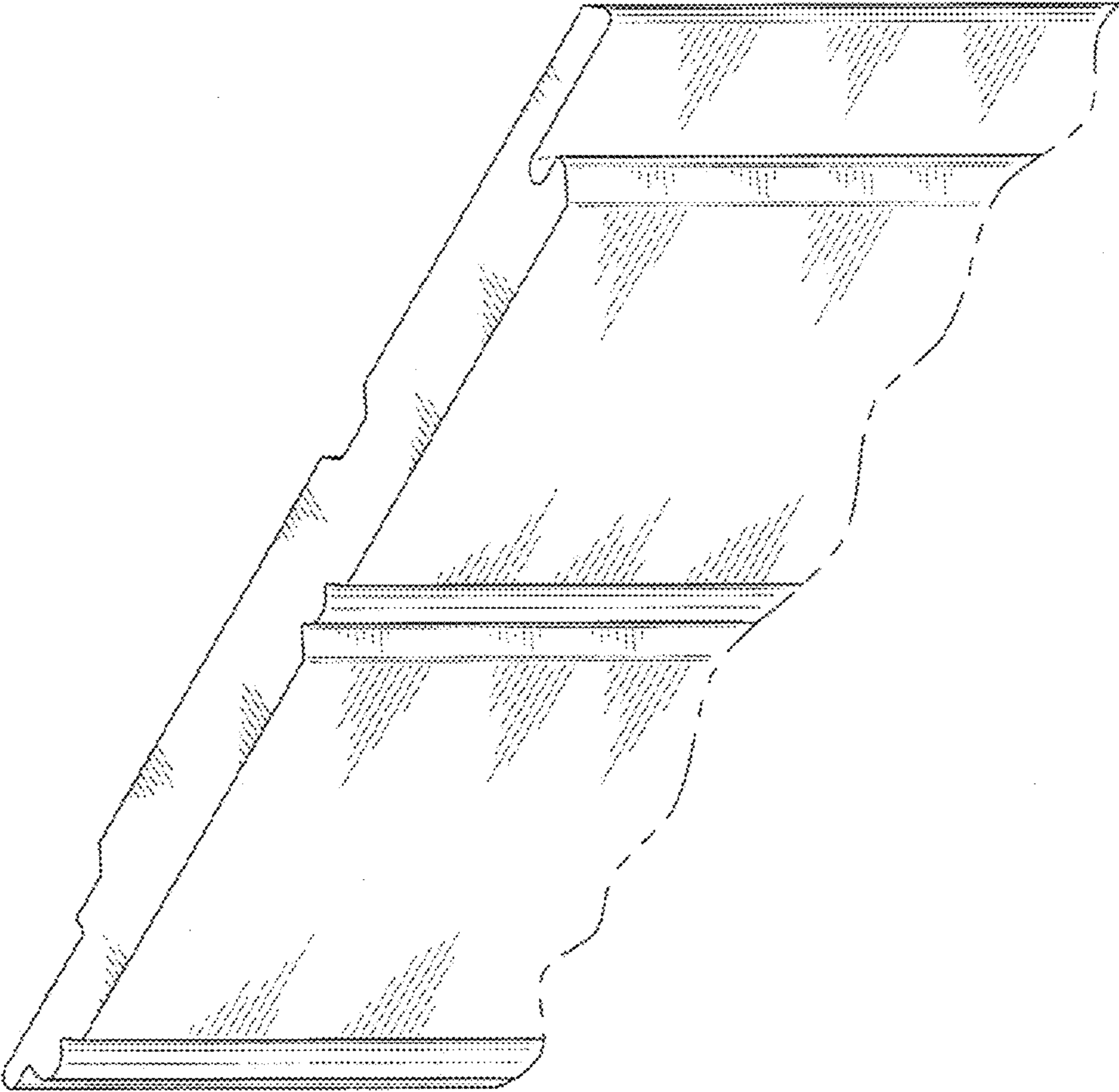


FIG. 1

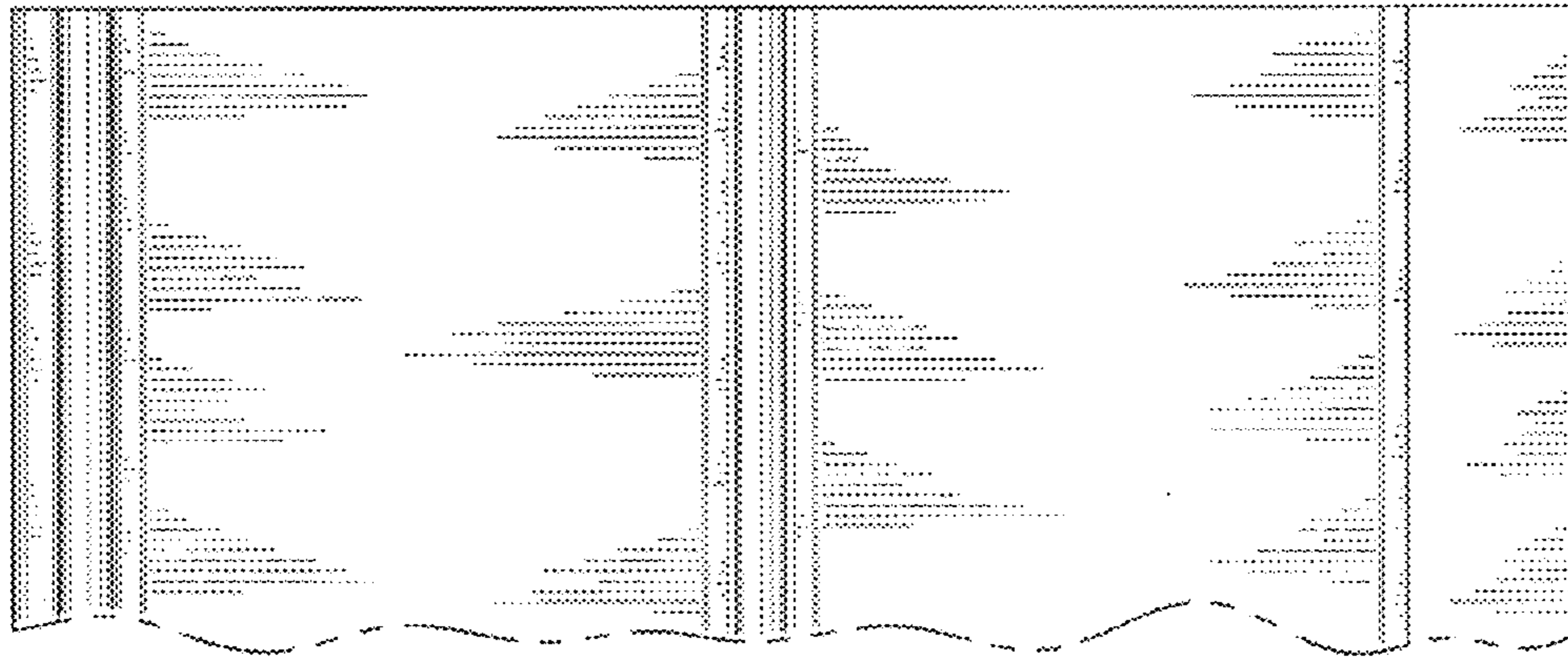


FIG. 2

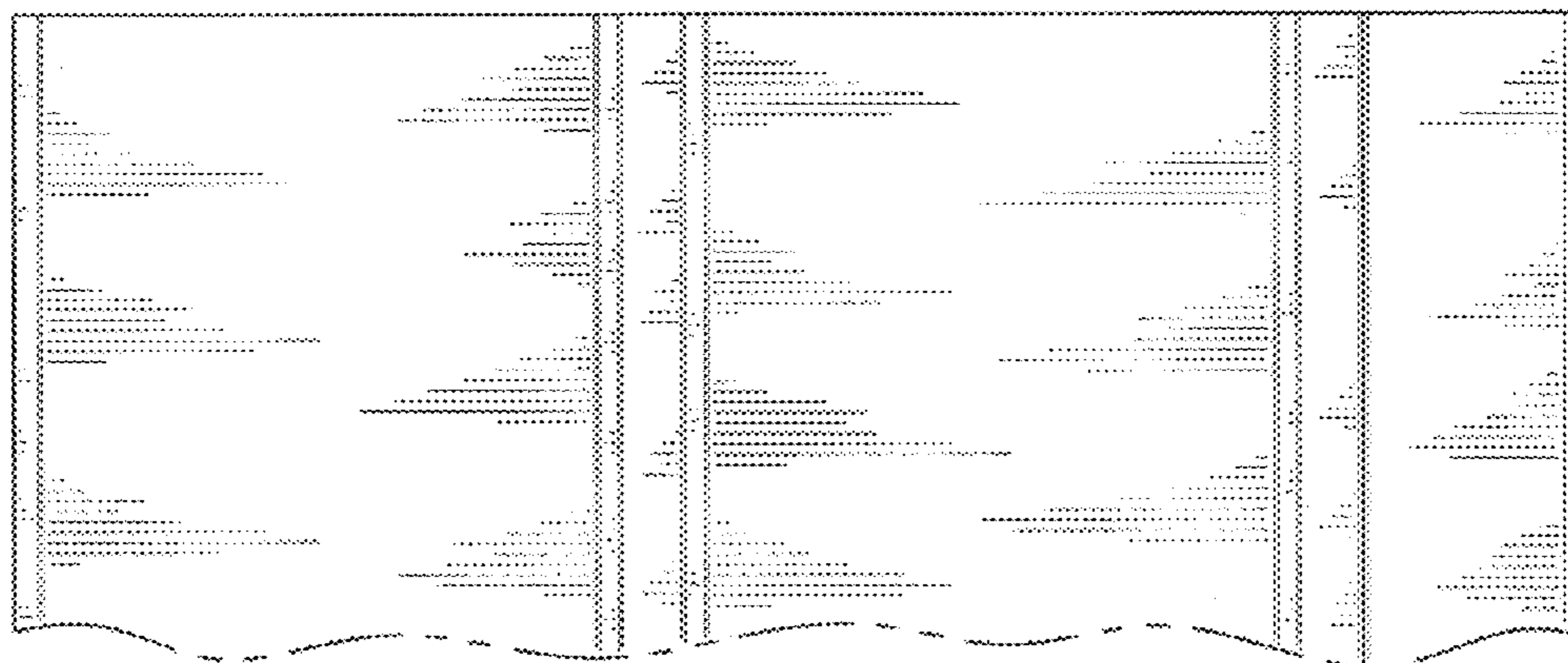


FIG. 3



FIG. 4

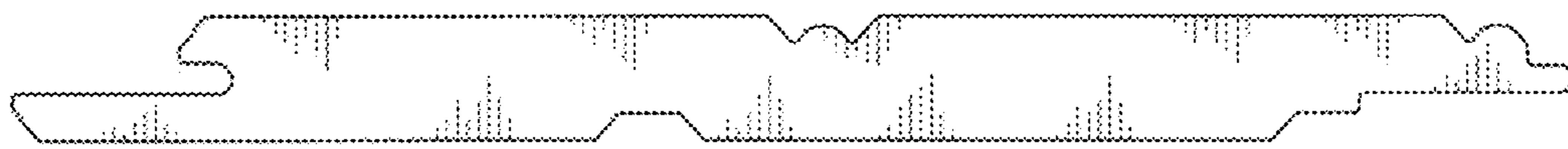


FIG. 5

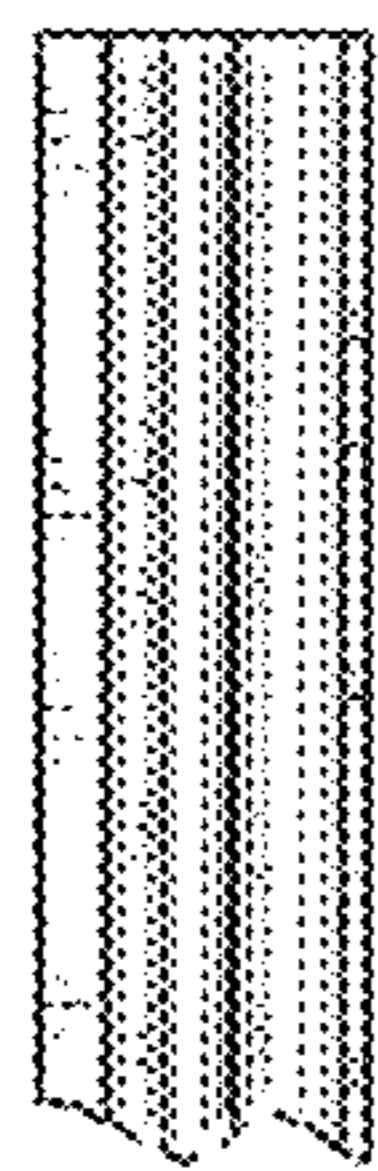


FIG. 6

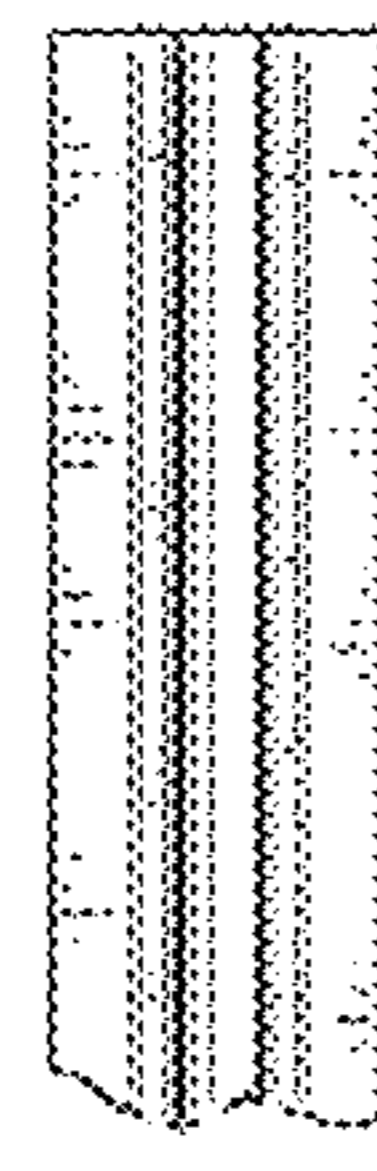


FIG. 7

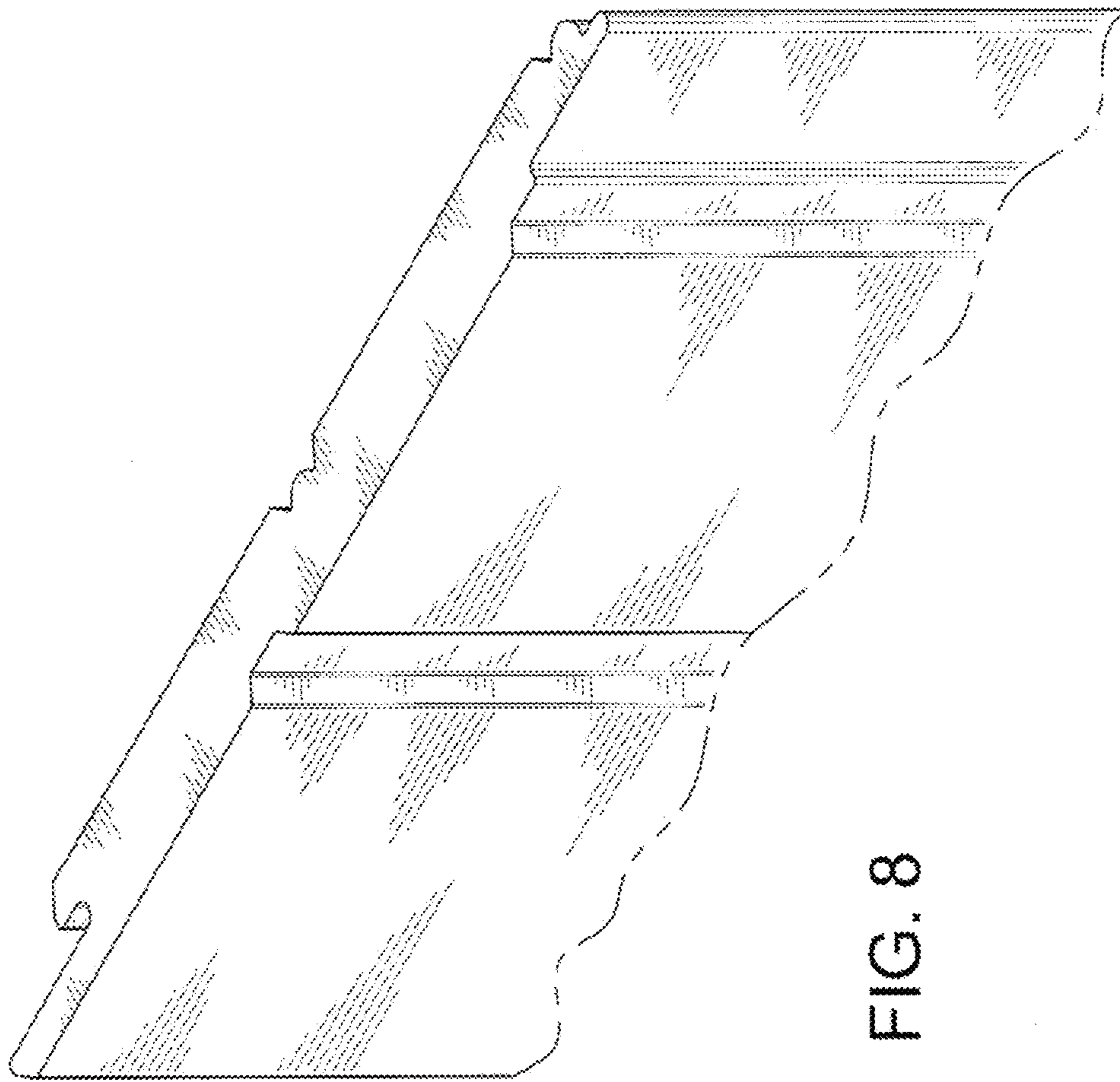


FIG. 8

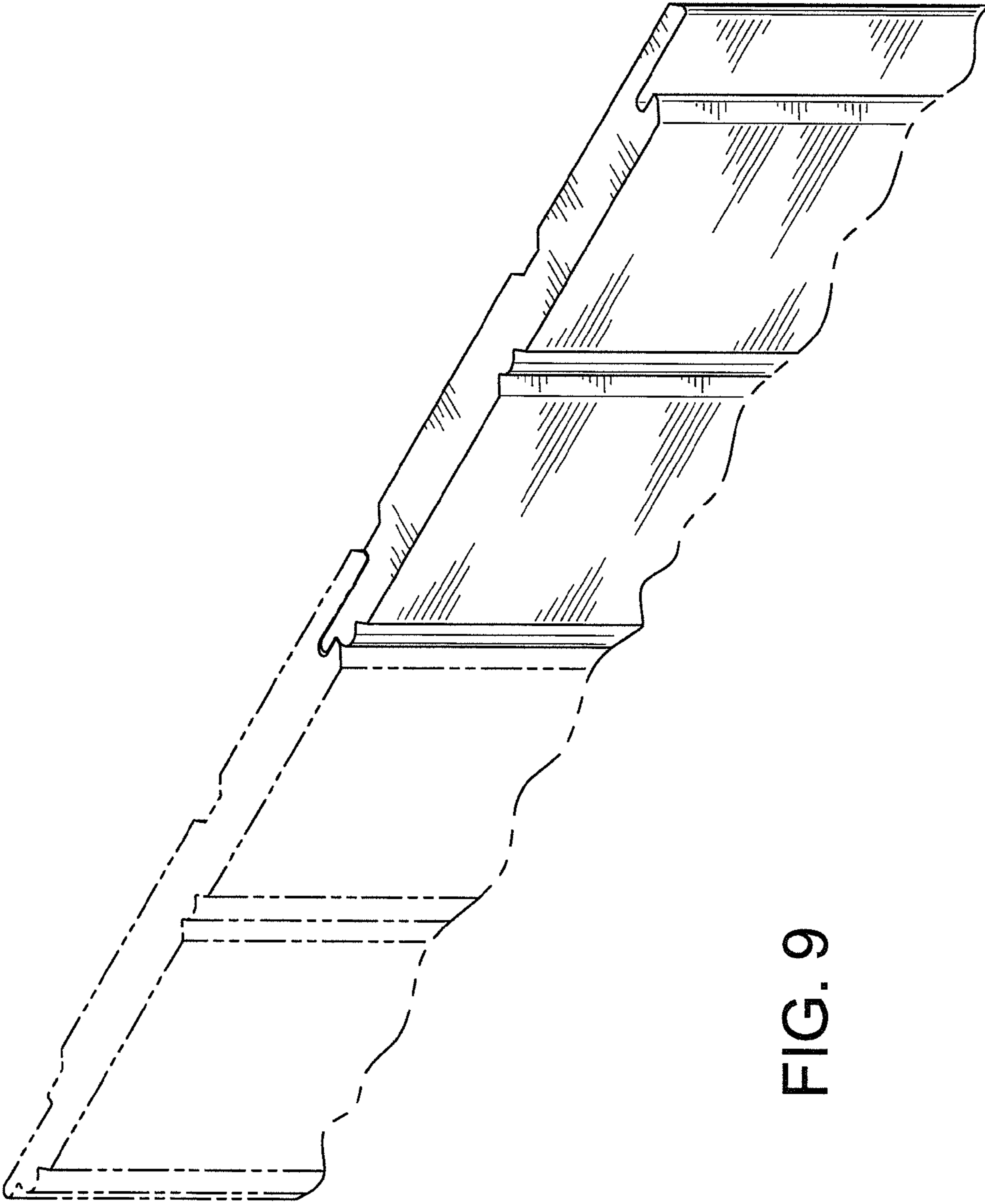


FIG. 9