



US00D729946S

(12) **United States Design Patent**  
**Sargent et al.**

(10) **Patent No.:** **US D729,946 S**

(45) **Date of Patent:** **\*\* May 19, 2015**

- (54) **FLASHING COMPONENT FOR A SELF-FLASHED SKYLIGHT**
- (71) Applicant: **VKR Holding A/S**, Hoersholm (DK)
- (72) Inventors: **Max LaForrest Sargent**, Greenwood, SC (US); **Charles Joseph Rimsky**, Greenwood, SC (US); **James Eric Brinton**, Greenwood, SC (US); **Michael James Waters**, Greenwood, SC (US); **Steve Roy Kastner**, Greenwood, SC (US); **Jeffery Joseph Ronan**, Greenwood, SC (US)

6,681,530	B1 *	1/2004	Givens	52/58
D489,834	S *	5/2004	Weston	D25/199
6,848,220	B2	2/2005	Faurholdt et al.	
D616,110	S	5/2010	Rimsky et al.	
2003/0150175	A1 *	8/2003	Rillie	52/200
2005/0086878	A1	4/2005	Feucht et al.	
2005/0178078	A1	8/2005	Valentz et al.	
2006/0137263	A1 *	6/2006	Casey	52/58

\* cited by examiner

*Primary Examiner* — Doris Clark

(74) *Attorney, Agent, or Firm* — Timothy D. St. Clair; Nexsen Pruet, LLC

(73) Assignee: **VKR HOLDING A/S**, Horsholm (DK)

(\*\*) Term: **14 Years**

(21) Appl. No.: **29/461,347**

(22) Filed: **Jul. 22, 2013**

(51) **LOC (10) Cl.** ..... **25-02**

(52) **U.S. Cl.**  
USPC ..... **D25/60**

(58) **Field of Classification Search**  
USPC ..... D25/60, 199; 52/200, DIG. 17, 173.3,  
52/58; 428/34

See application file for complete search history.

(56) **References Cited**

U.S. PATENT DOCUMENTS

4,930,274	A *	6/1990	Cummings et al.	52/200
4,972,638	A	11/1990	Minter	
D385,363	S	10/1997	Solbeck	
6,052,956	A *	4/2000	Hoy et al.	52/200
6,327,820	B1 *	12/2001	Picco	52/58

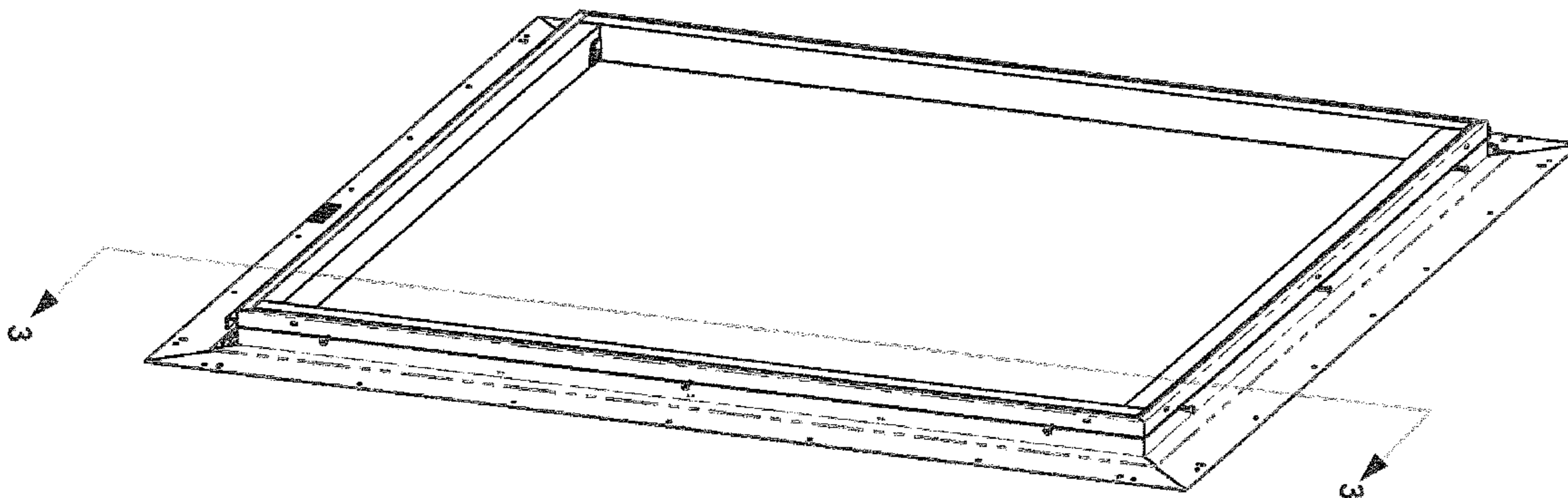
(57) **CLAIM**

We claim the ornamental design for a flashing component for a self-flashed skylight, as shown and described.

**DESCRIPTION**

FIG. 1 is a perspective view of the flashing component for a self-flashed skylight of the present disclosure;  
 FIG. 2 is a bottom plan view of thereof;  
 FIG. 3 is a cross-sectional view taken along line 3-3 of FIG. 1;  
 FIG. 4 is a perspective view of a frame element of the flashing component for a self-flashed skylight taken from the right side in FIG. 3;  
 FIG. 5 is an enlarged elevation view of the right side in FIG. 3;  
 FIG. 6 is a perspective view of a frame element of the flashing component for a self-flashed skylight taken from the left side in FIG. 3; and,  
 FIG. 7 is an enlarged elevation view of the left side in FIG. 3.  
 The ornamental design that is claimed is shown in solid lines in the drawings. The portions of the design shown in broken lines do not constitute part of the claimed design and are, therefore, disclaimed.

**1 Claim, 5 Drawing Sheets**



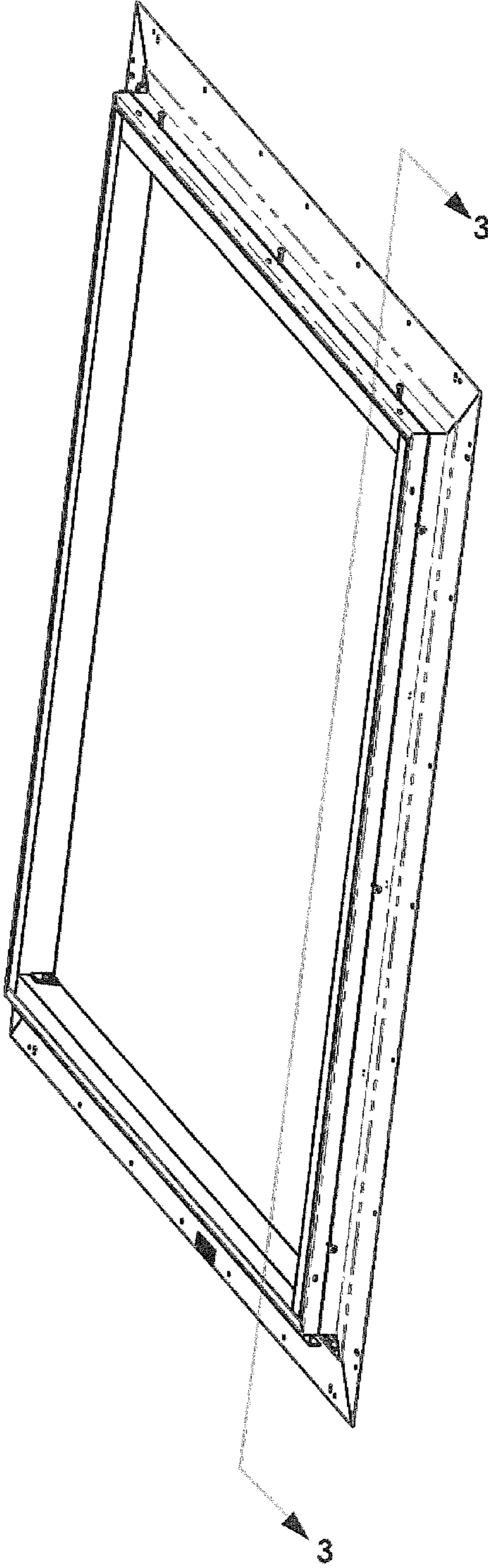


Fig. 1

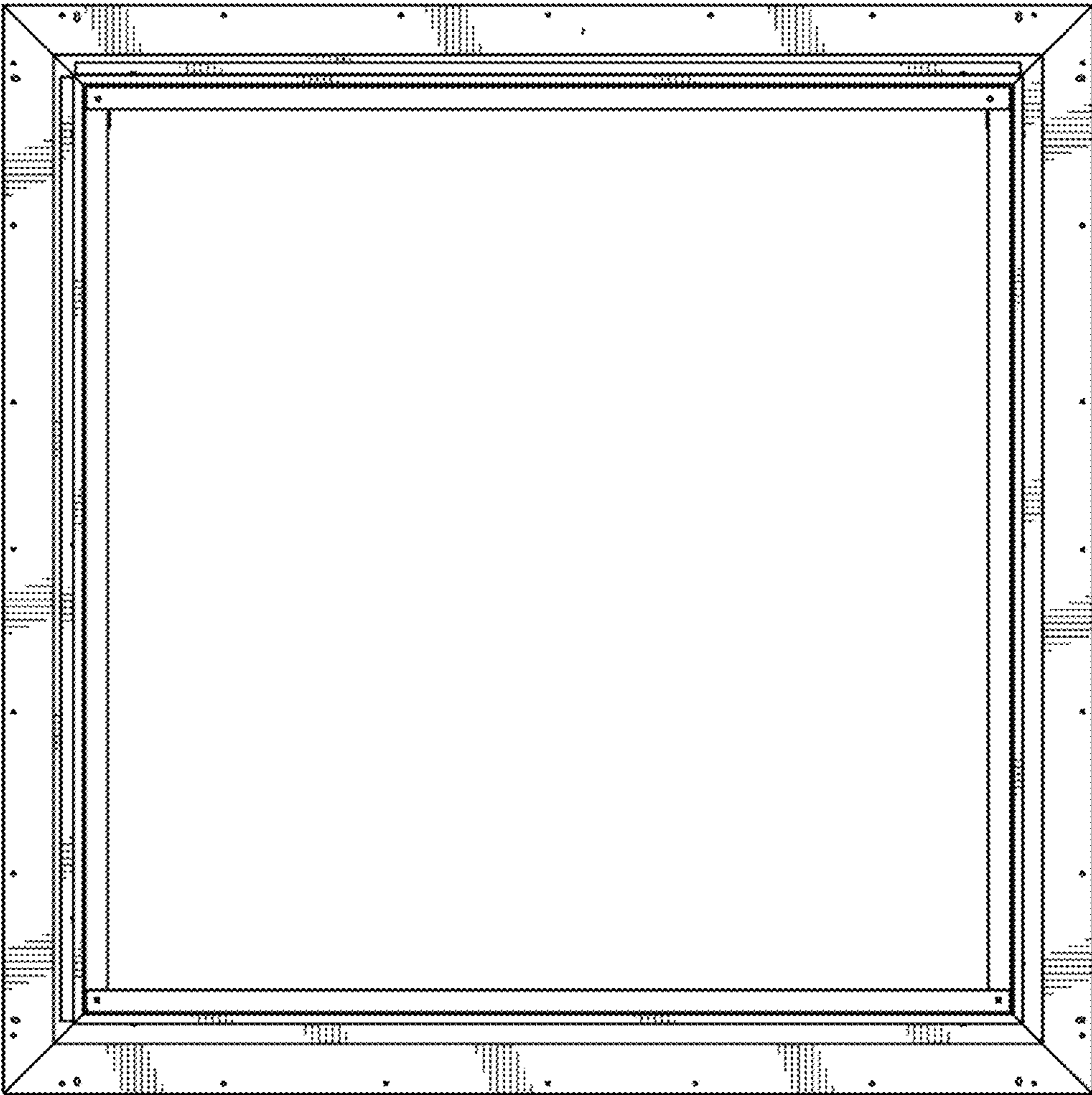


FIG.2

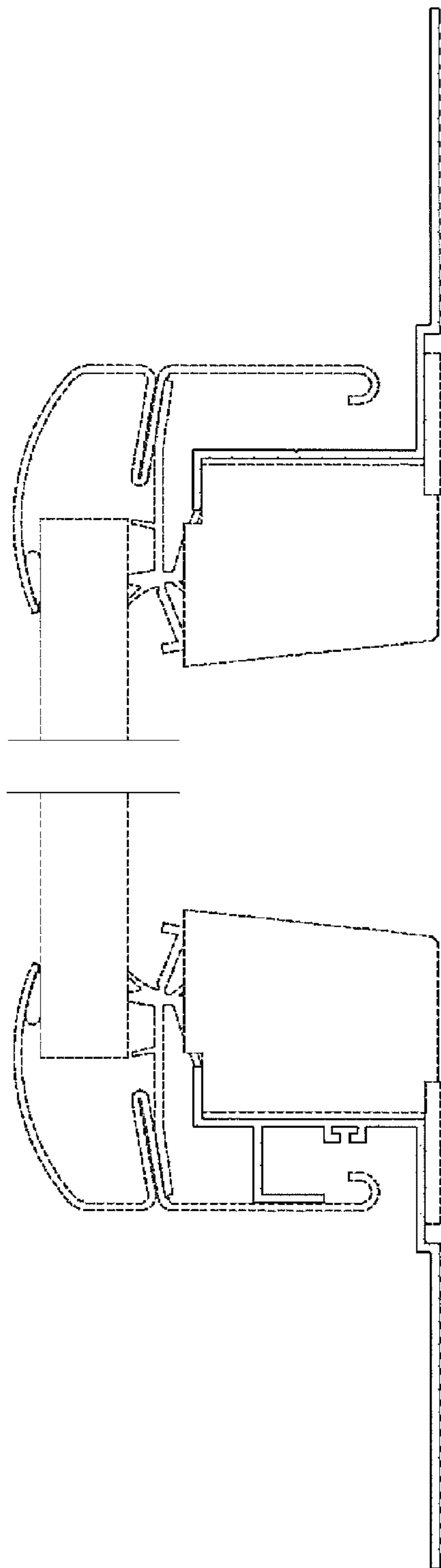


Fig. 3

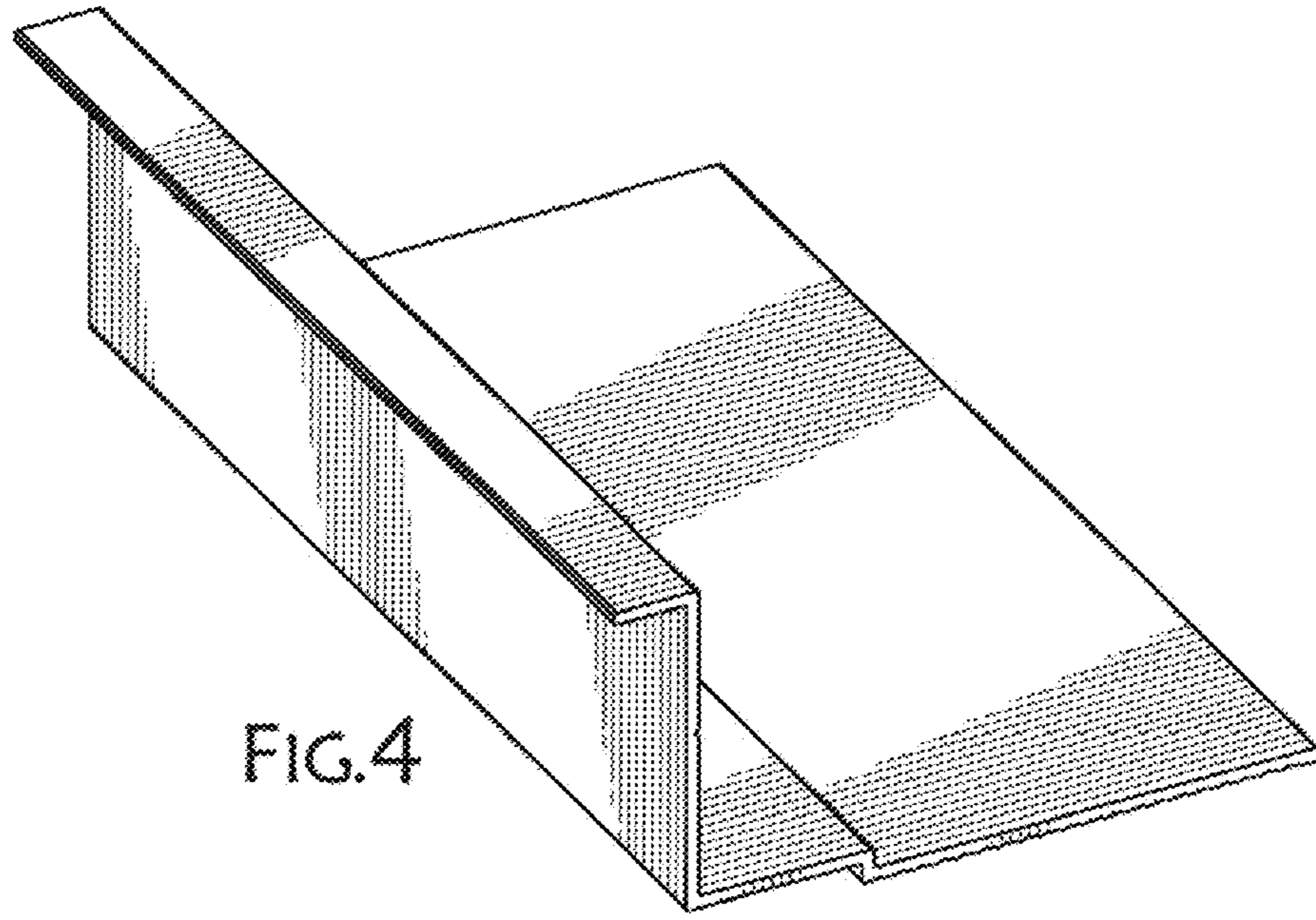


FIG. 4

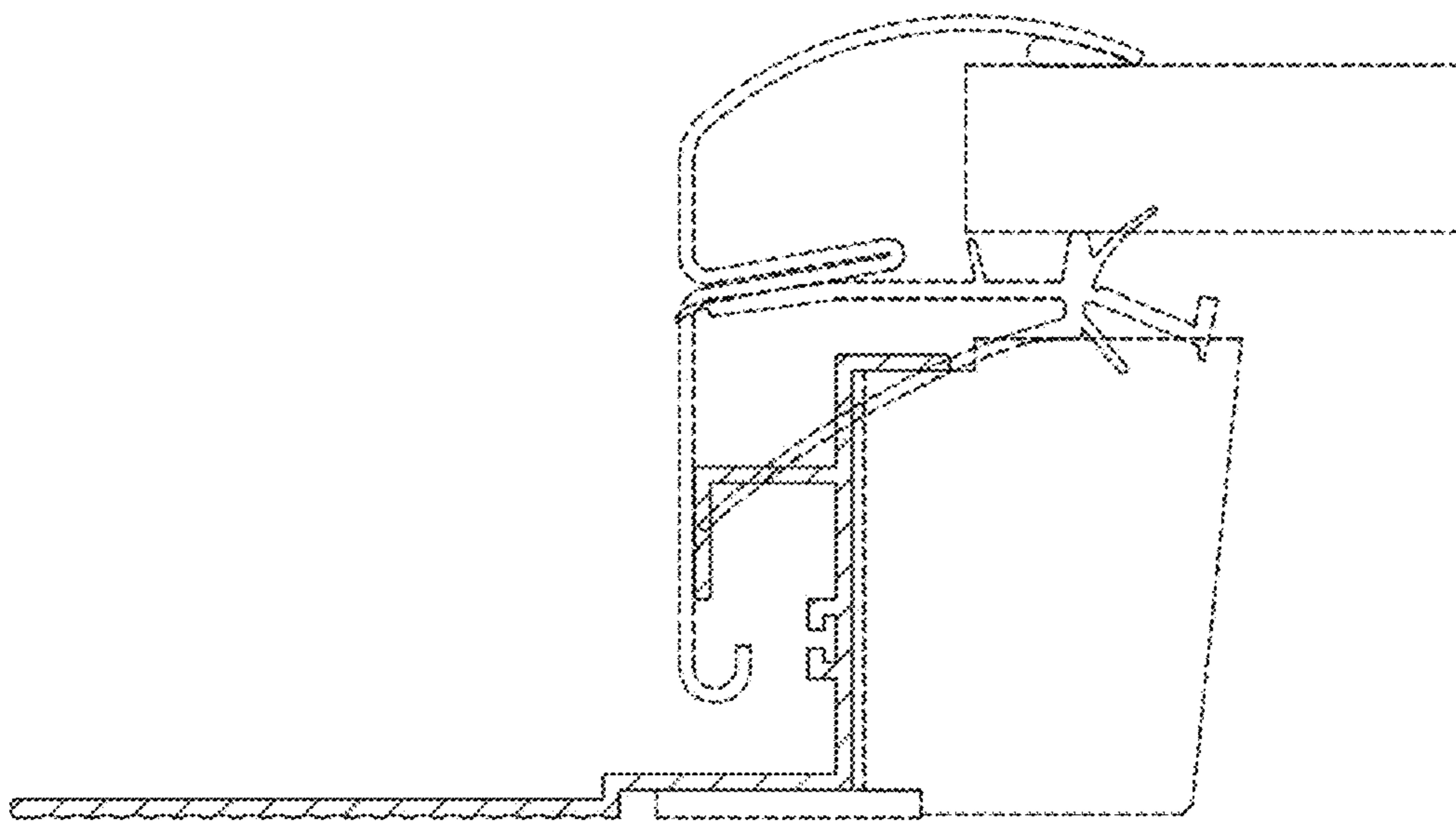


FIG. 5

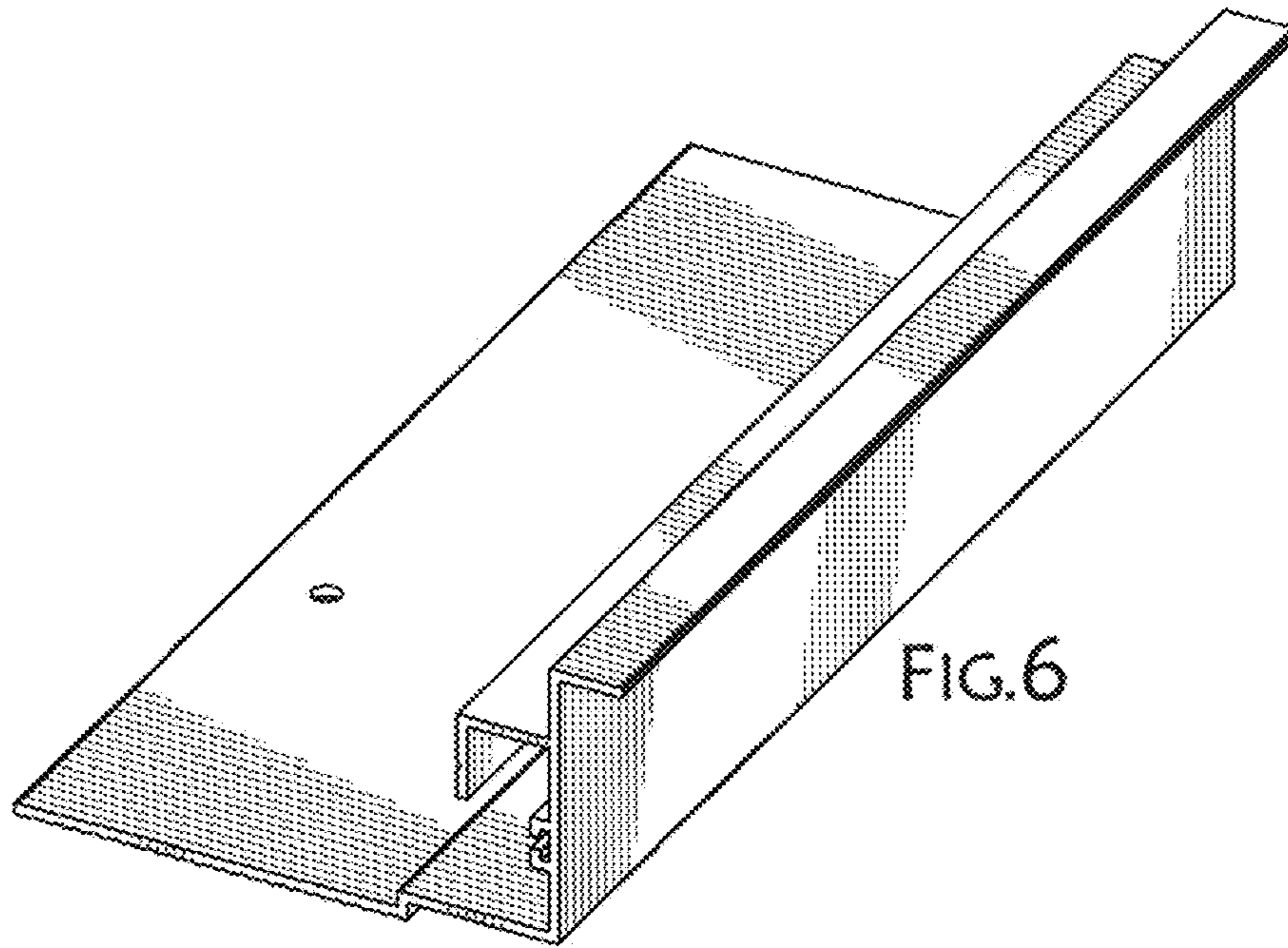


FIG. 6

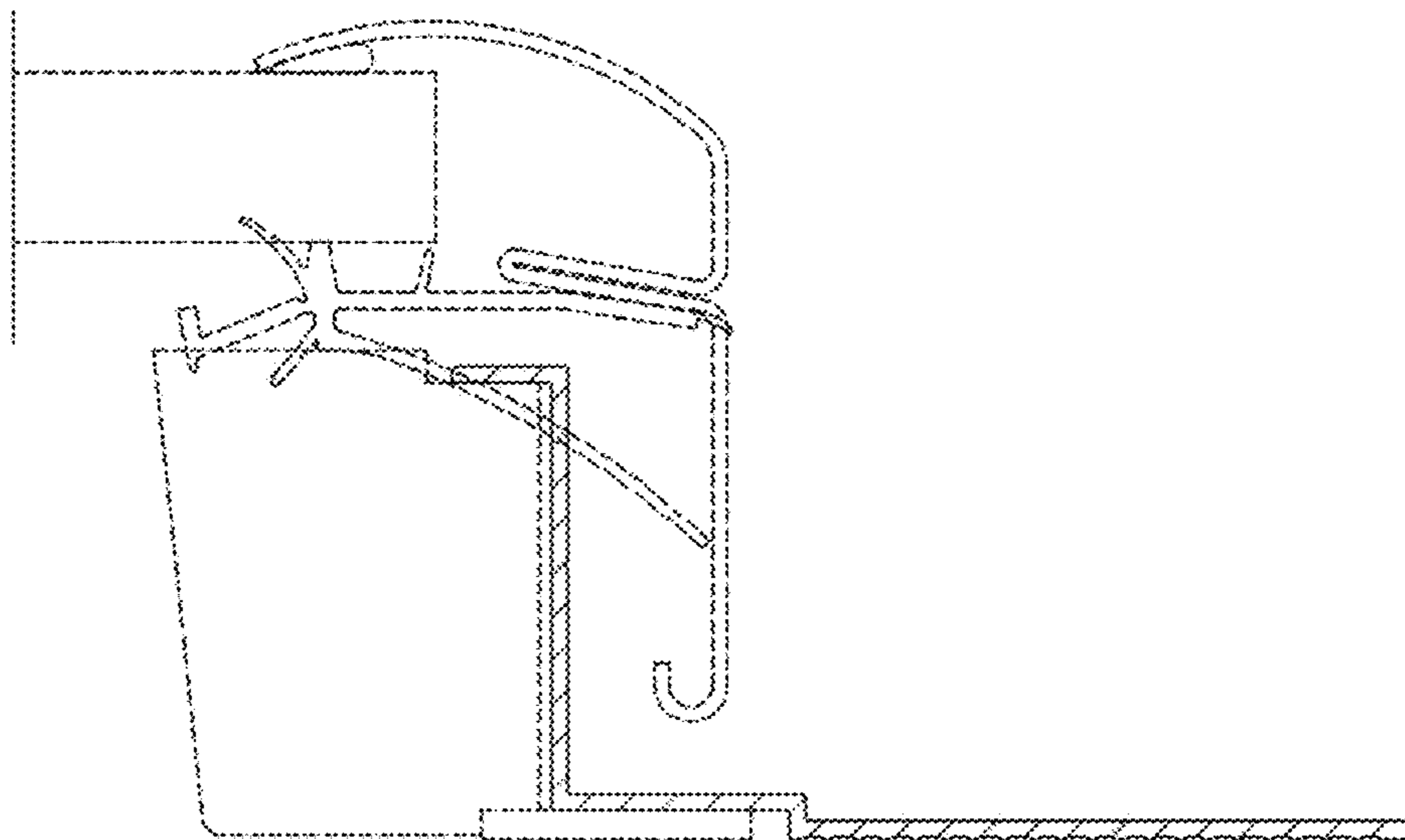


FIG. 7