

US00D729943S

(12) **United States Design Patent**
Fickett

(10) **Patent No.:** **US D729,943 S**

(45) **Date of Patent:** **** May 19, 2015**

(54) **HUNTING BLIND**

(76) **Inventor:** **Glenn A. Fickett, Tempe, AZ (US)**

(**) **Term:** **14 Years**

(21) **Appl. No.:** **29/386,281**

(22) **Filed:** **Feb. 26, 2011**

(51) **LOC (10) Cl.** **25-03**

(52) **U.S. Cl.**
USPC **D25/16**

(58) **Field of Classification Search**
USPC D25/1, 16; 43/1; 135/87, 96, 117-118,
135/152

See application file for complete search history.

(56) **References Cited**

U.S. PATENT DOCUMENTS

3,709,237	A *	1/1973	Smith	135/87
3,913,598	A *	10/1975	Glutting et al.	135/152
5,062,234	A *	11/1991	Green	43/1
5,414,950	A *	5/1995	Johnson, Sr.	43/1
D366,117	S *	1/1996	Adams	D25/16
D366,118	S *	1/1996	Perkins	D25/16
5,609,176	A *	3/1997	Weeks	135/96
5,944,041	A *	8/1999	Kitchens	135/98

6,145,528	A *	11/2000	Egnew et al.	135/128
6,164,005	A *	12/2000	Copeland	43/1
6,408,865	B1 *	6/2002	Bliss	135/118
7,594,515	B2 *	9/2009	Prock	135/117

* cited by examiner

Primary Examiner — Garth Rademaker

Assistant Examiner — Samantha Q Lawrence

(74) *Attorney, Agent, or Firm* — Adam R. Stephenson, Ltd.

(57) **CLAIM**

The ornamental design for a hunting blind, as shown and described.

DESCRIPTION

FIG. 1 is a front view of a hunting blind showing my new design;

FIG. 2 is a rear view thereof;

FIG. 3 is a top view thereof;

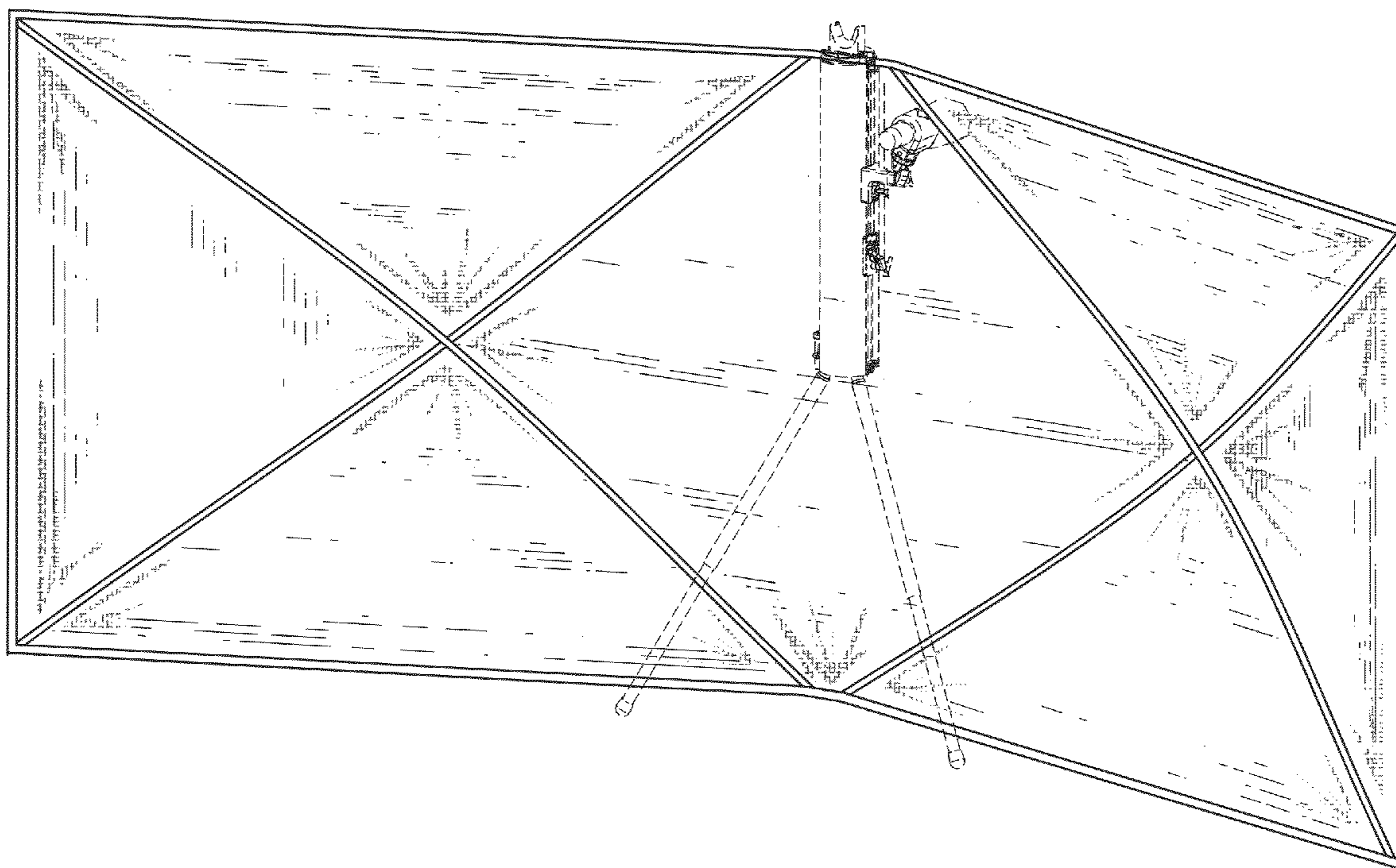
FIG. 4 is a bottom view thereof;

FIG. 5 is a left side view thereof, the right side being a mirror image; and,

FIG. 6 is a perspective view thereof.

All broken lines are directed to environment and are for illustrative purposes only; the broken lines form no part of the claimed design.

1 Claim, 6 Drawing Sheets



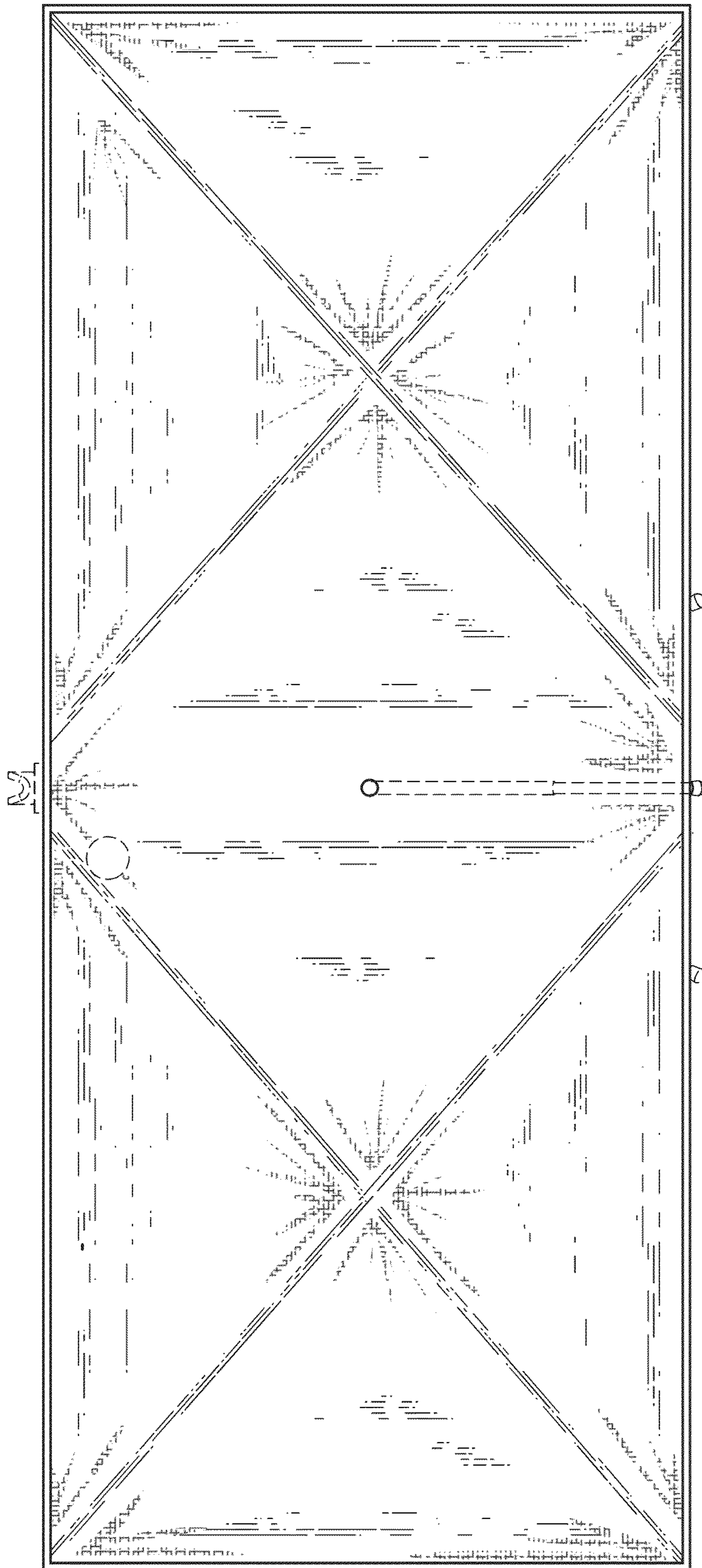


Fig. 1

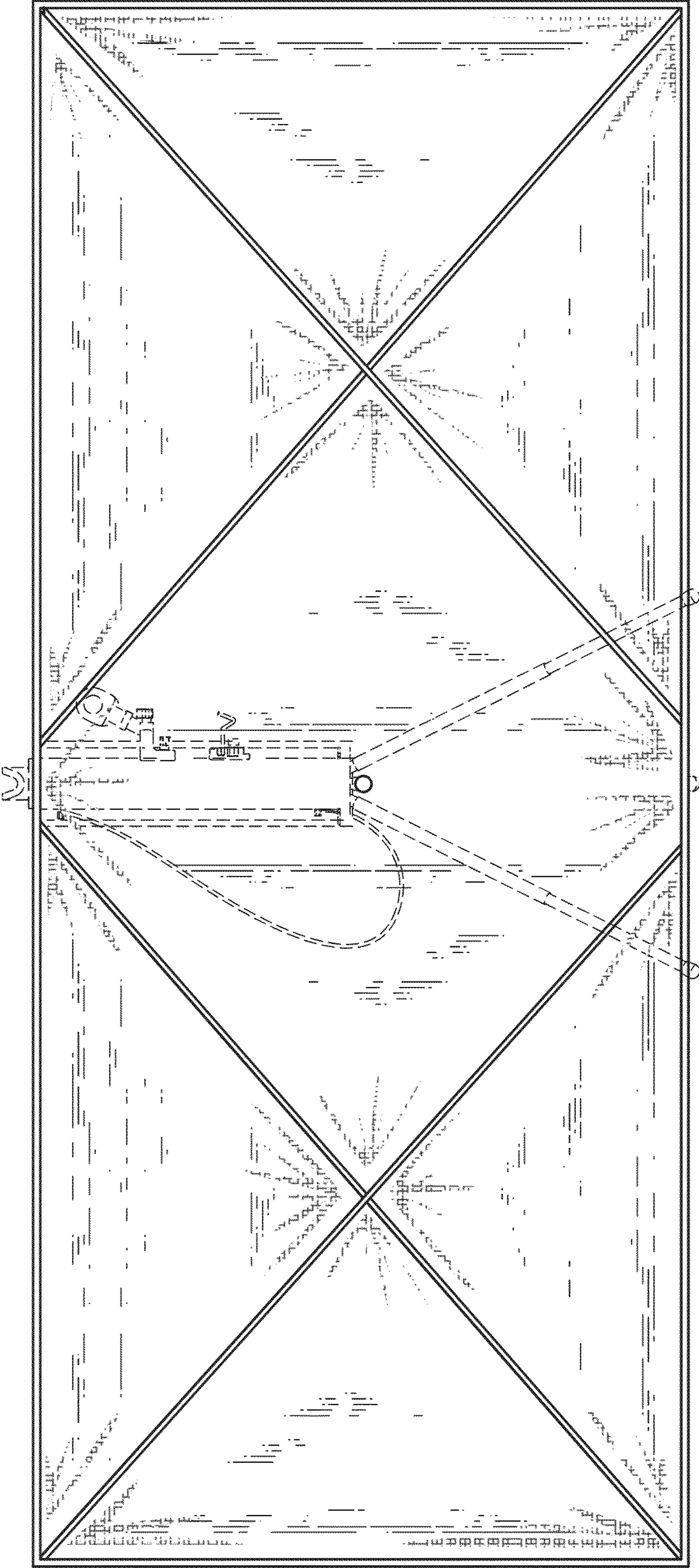


Fig. 2

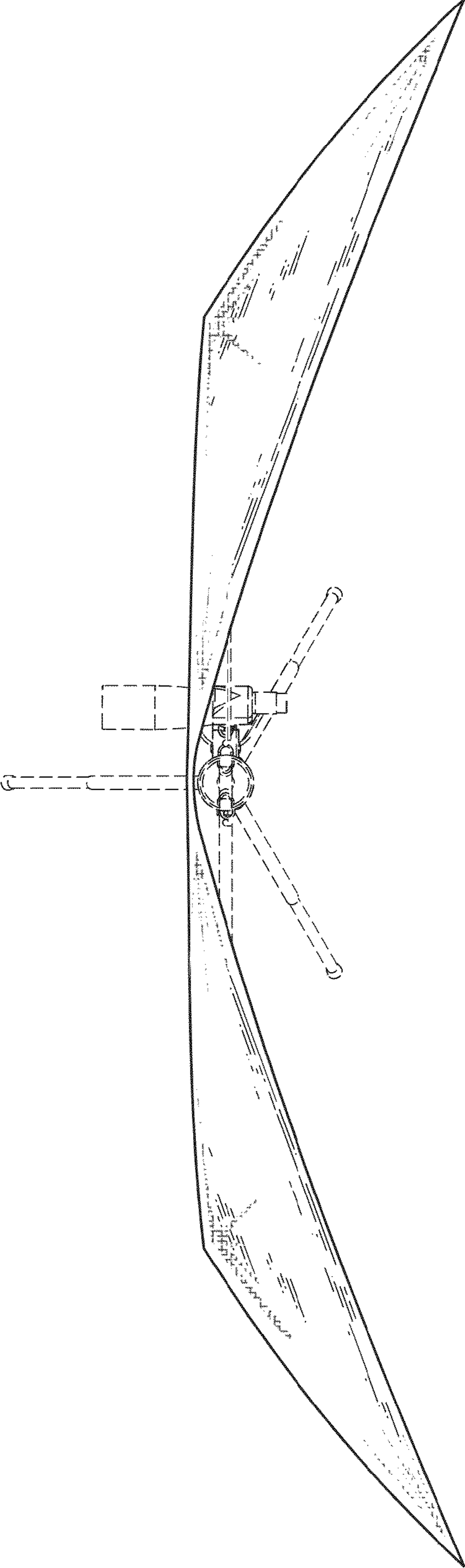


Fig. 3

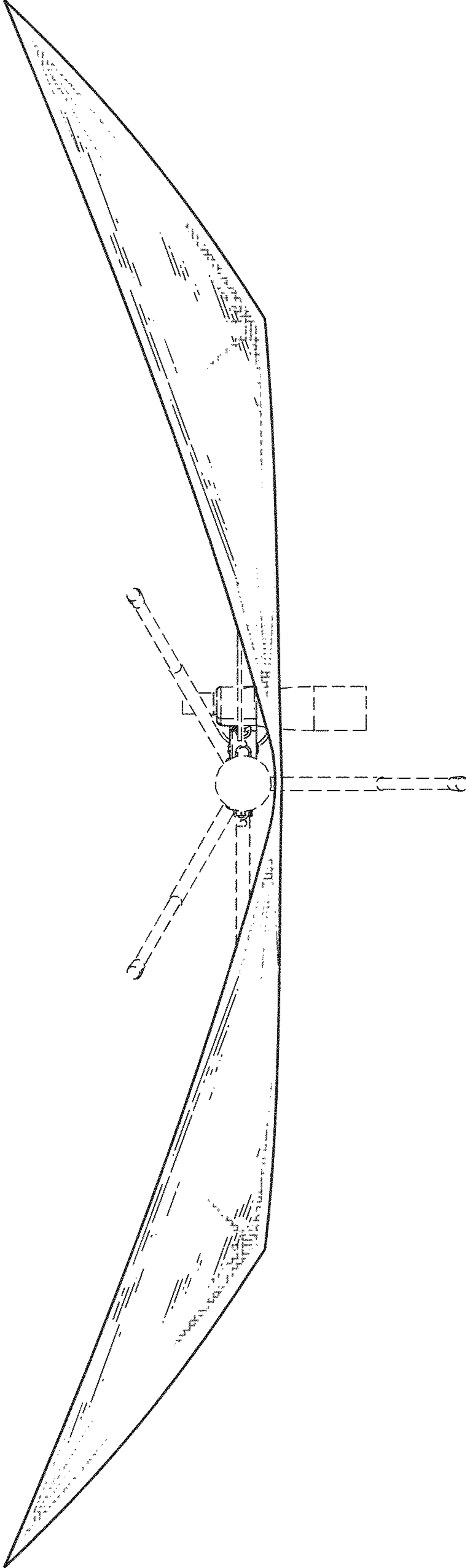


Fig. 4

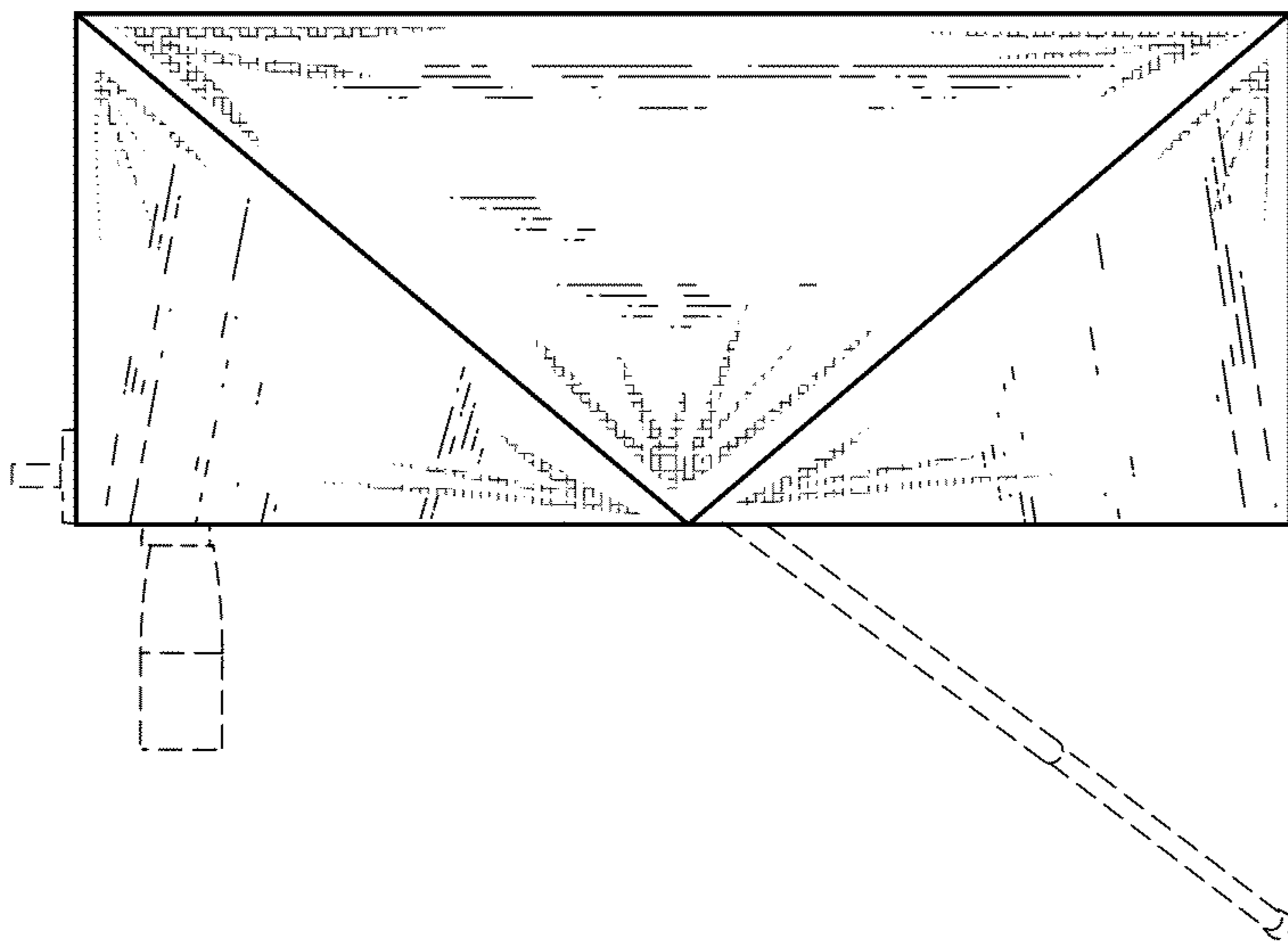


Fig. 5

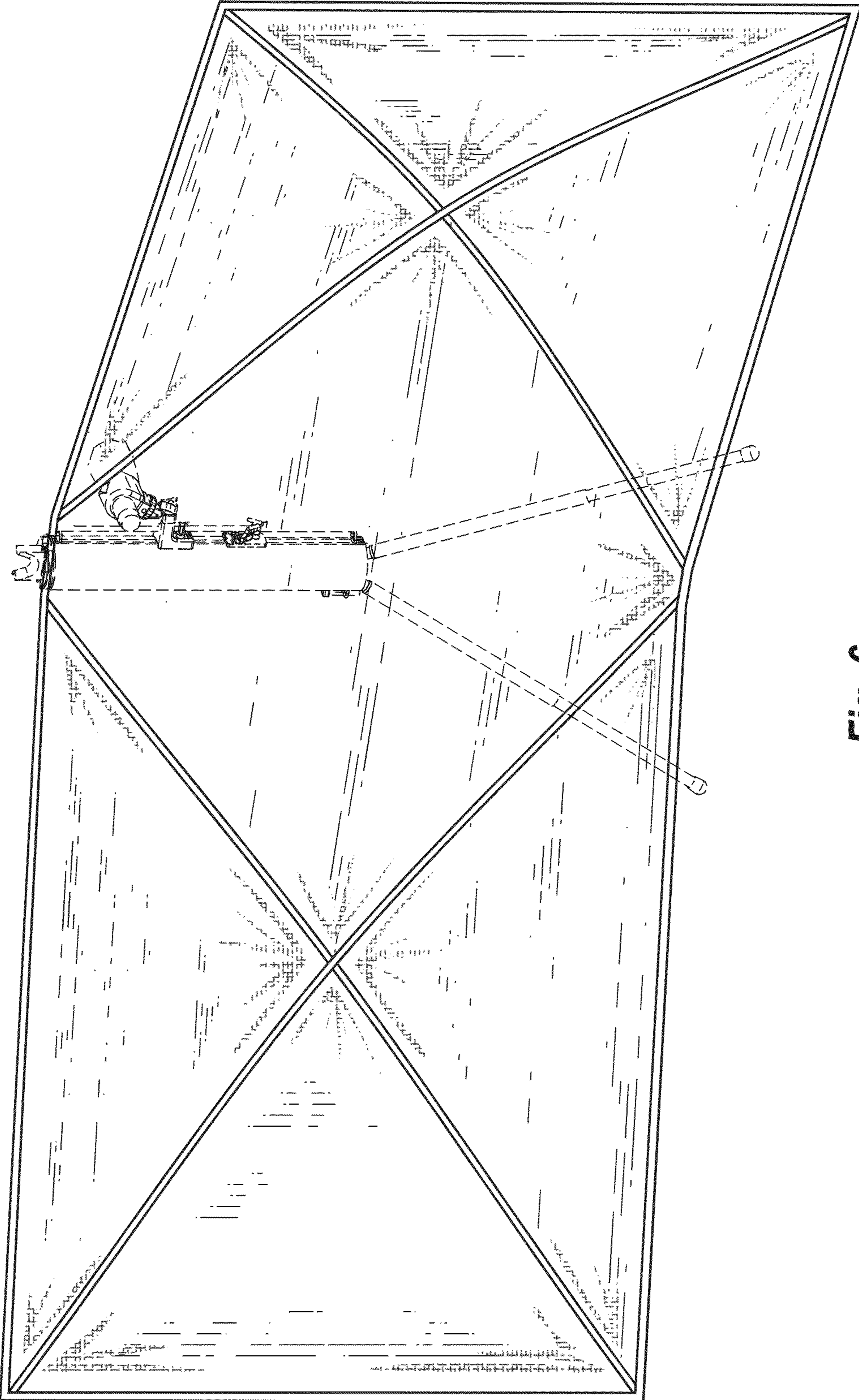


Fig. 6