



US00D729942S

(12) **United States Design Patent**
Keizer et al.

(10) **Patent No.:** **US D729,942 S**

(45) **Date of Patent:** **** May 19, 2015**

(54) **MULTIWELL PLATE**

(71) Applicant: **PRIONICS AG**, Schlieren (CH)

(72) Inventors: **Gerrit Dirk Keizer**, Harderwijk (NL);
Wilhelmus Joseph Gerardus Schielen,
Kerkrade (NL)

(73) Assignee: **PRIONICS AG**, Schlieren (CH)

(**) Term: **14 Years**

(21) Appl. No.: **29/475,587**

(22) Filed: **Dec. 4, 2013**

(30) **Foreign Application Priority Data**

Jun. 5, 2013 (EM) 002250266-0001

(51) **LOC (10) Cl.** **24-02**

(52) **U.S. Cl.**
USPC **D24/226**

(58) **Field of Classification Search**

USPC D24/108, 127-130, 216, 224, 227-232;
206/446, 443; 211/74, 70.1, 72;
220/519; 356/246, 244; 422/102, 104,
422/63-64, 250, 266, 297, 300, 553, 99
See application file for complete search history.

(56) **References Cited**

U.S. PATENT DOCUMENTS

5,487,872 A * 1/1996 Hafeman et al. 422/553
D463,863 S * 10/2002 Carlson et al. D24/216
D466,219 S * 11/2002 Wynschenk et al. D24/227
D492,792 S * 7/2004 Kokaisel et al. D24/226
D533,948 S * 12/2006 Schaub et al. D24/229
D562,463 S * 2/2008 Berndt et al. D24/226
D598,128 S * 8/2009 Pihl et al. D24/227

D601,713 S * 10/2009 Lohn et al. D24/226
D610,265 S * 2/2010 Lea D24/227
D645,156 S * 9/2011 Reitze D24/227
D654,186 S * 2/2012 Park et al. D24/227
D690,028 S * 9/2013 Tsukiji D24/227
D701,617 S * 3/2014 Tsukiji D24/227
D702,854 S * 4/2014 Nakahana et al. D24/227

FOREIGN PATENT DOCUMENTS

EP 1667780 B1 8/2008

* cited by examiner

Primary Examiner — T. Chase Nelson

Assistant Examiner — Mark Cavanna

(74) *Attorney, Agent, or Firm* — Rankin, Hill & Clark LLP

(57) **CLAIM**

The ornamental design for a multiwell plate, as shown and described.

DESCRIPTION

FIG. 1 is a perspective view of a multiwell plate in accordance with the present invention showing the new design, said multiwell plate including 96 wells (A1, A2, A3 etc.), each being subdivided into four compartments by subdividers to provide 384 separate reservoirs for liquid samples.

FIG. 2 is an enlarged perspective view of a portion of the top of the multiwell plate of FIG. 1, which shows details of several wells and their respective subdividers.

FIG. 3 is a top view of the multiwell plate of FIG. 1.

FIG. 4 is a front view of the multiwell plate of FIG. 1.

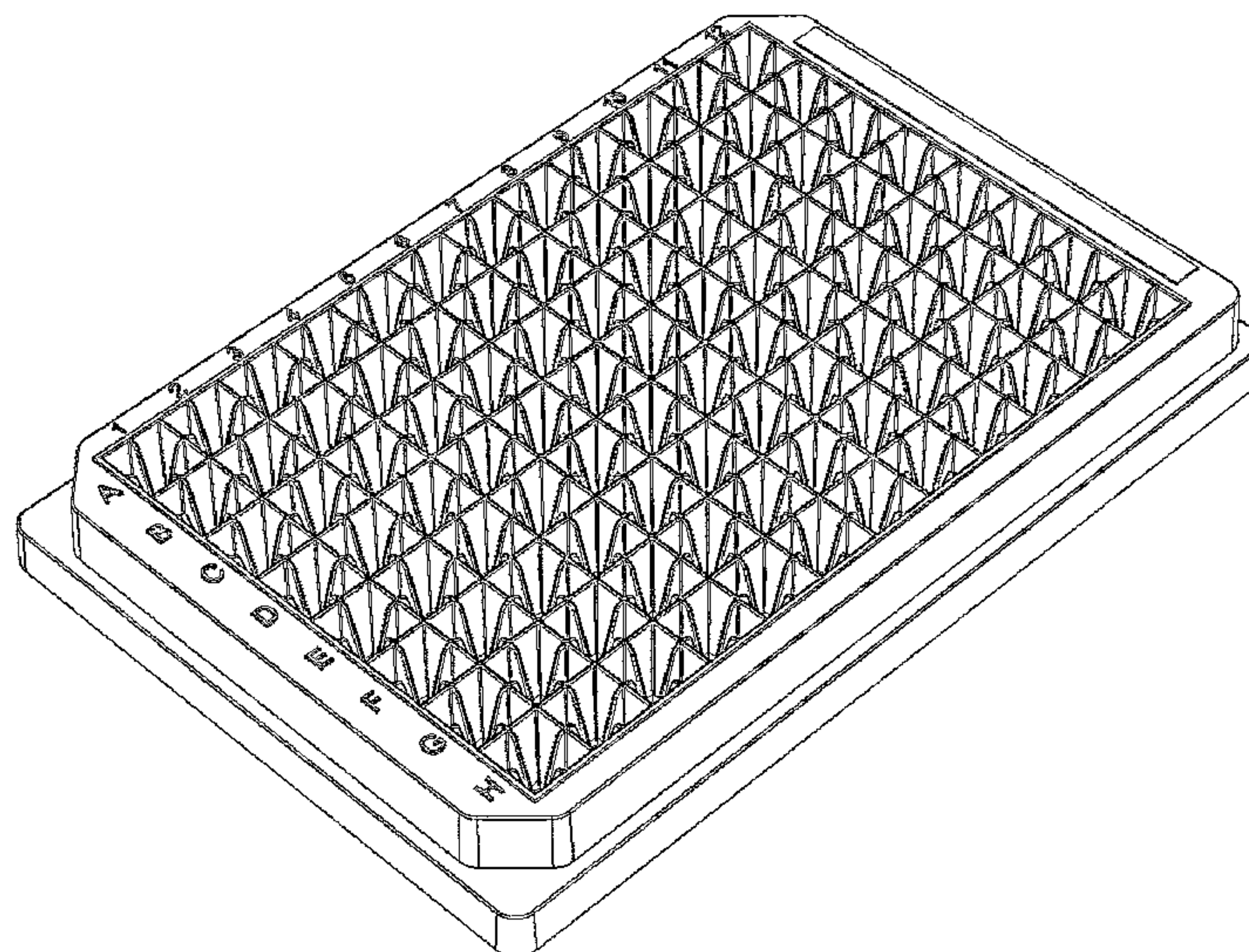
FIG. 5 is a rear view of the multiwell plate of FIG. 1.

FIG. 6 is a left side view of the multiwell plate of FIG. 1.

FIG. 7 is a right side view of the multiwell plate of FIG. 1; and,

FIG. 8 is a bottom view of the multiwell plate of FIG. 1 showing only the perimeter edge thereof, no claim being made to the bottom side thereof.

1 Claim, 6 Drawing Sheets



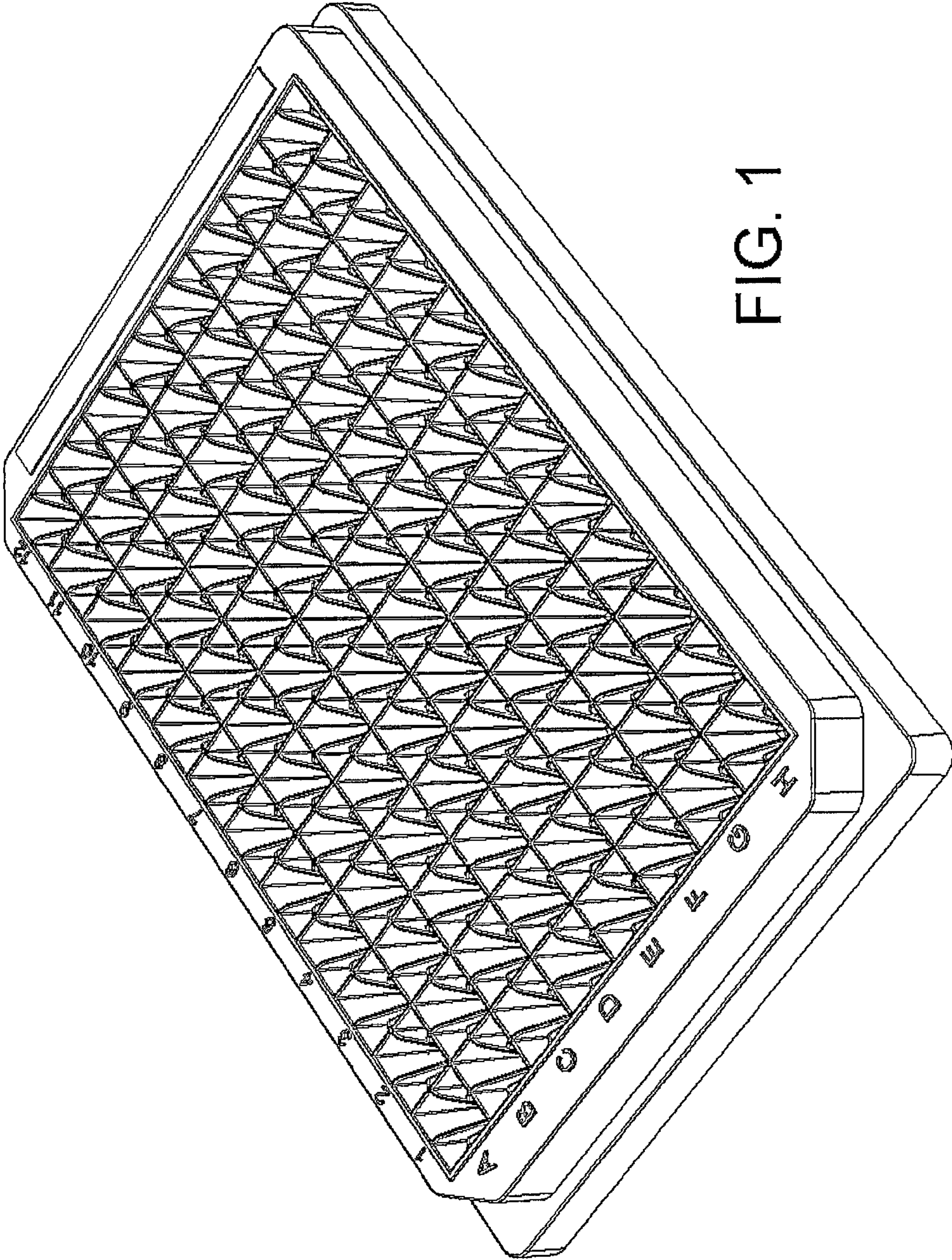


FIG. 1

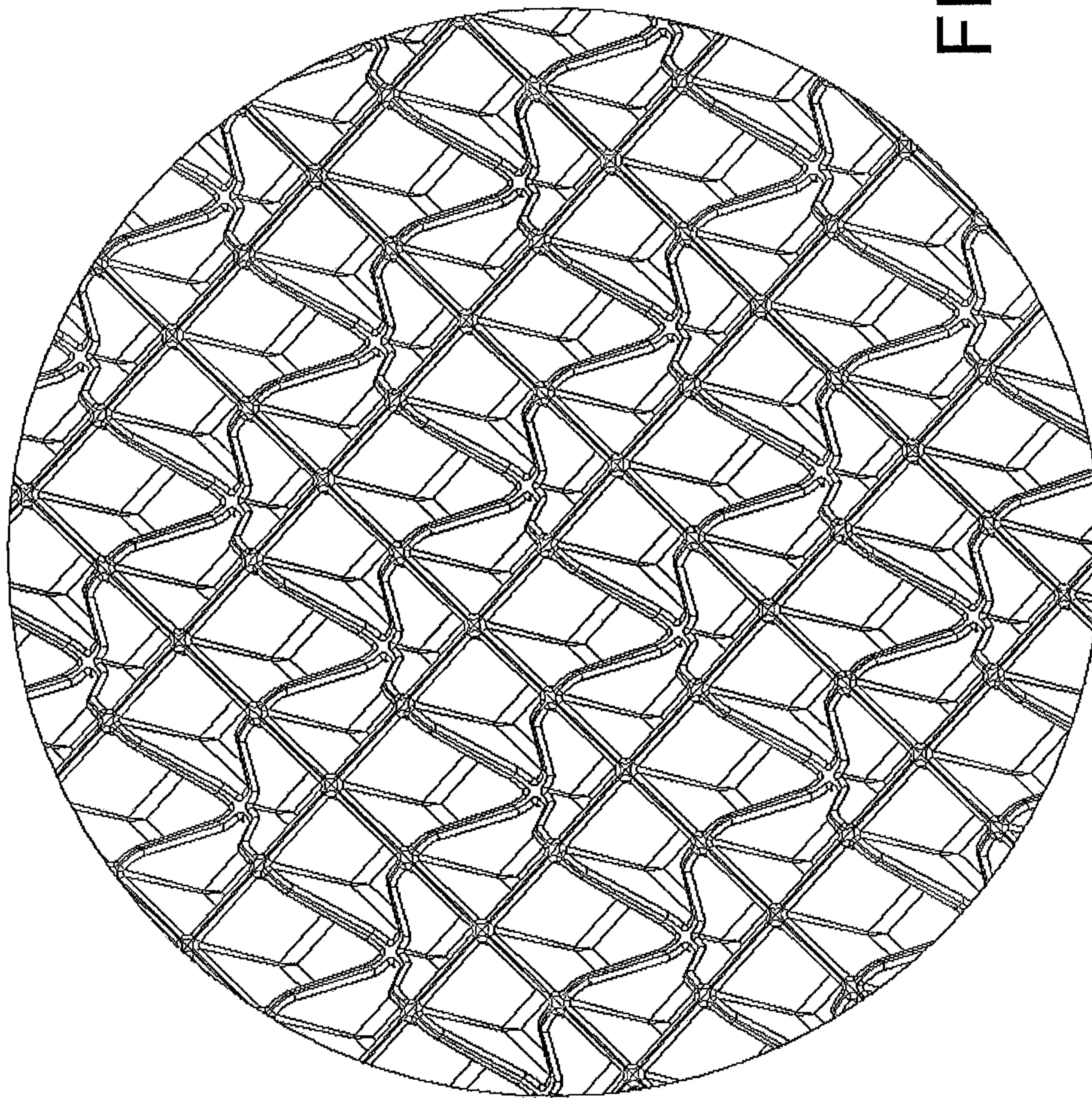


FIG. 2

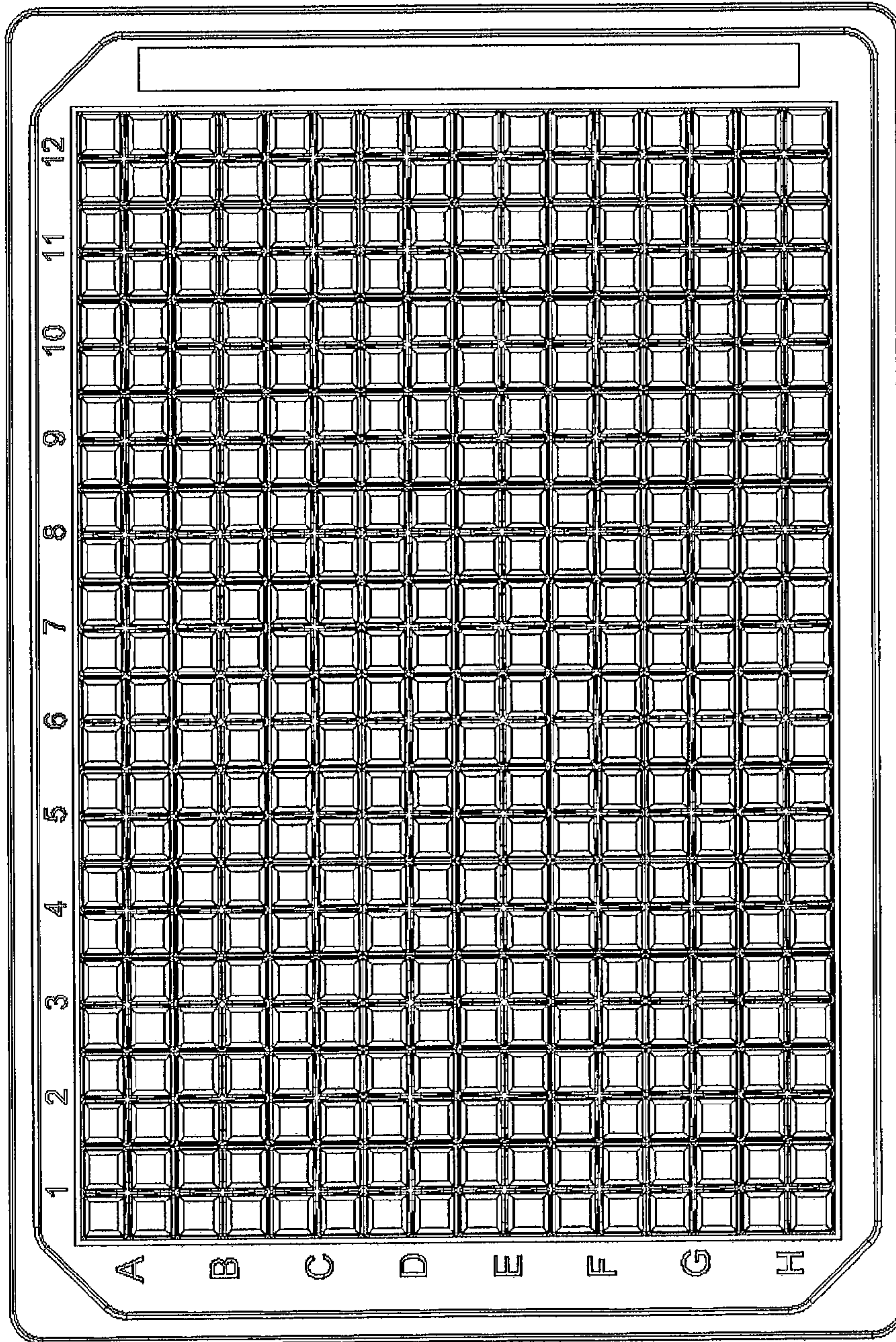


FIG. 3

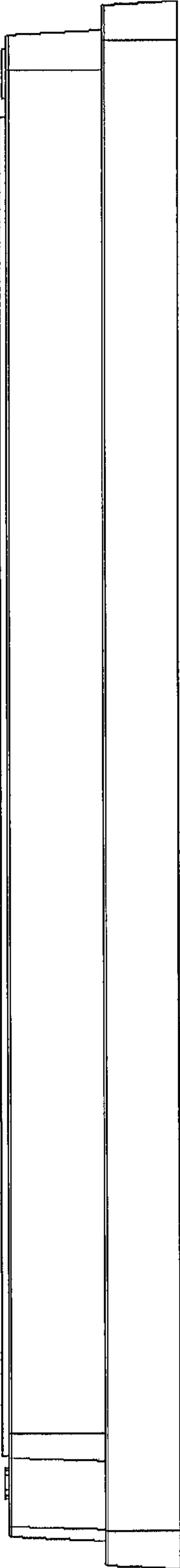


FIG. 4

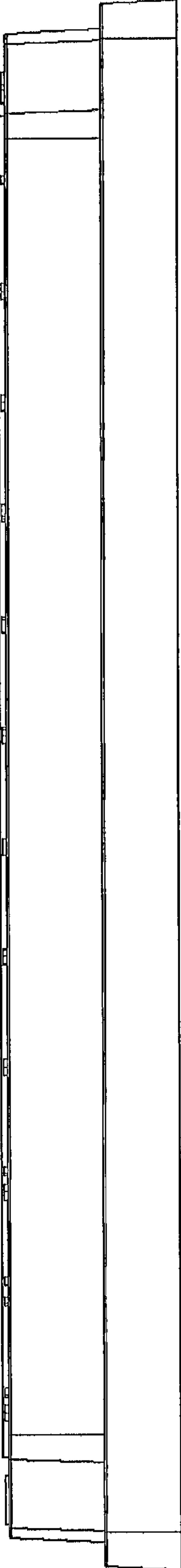


FIG. 5

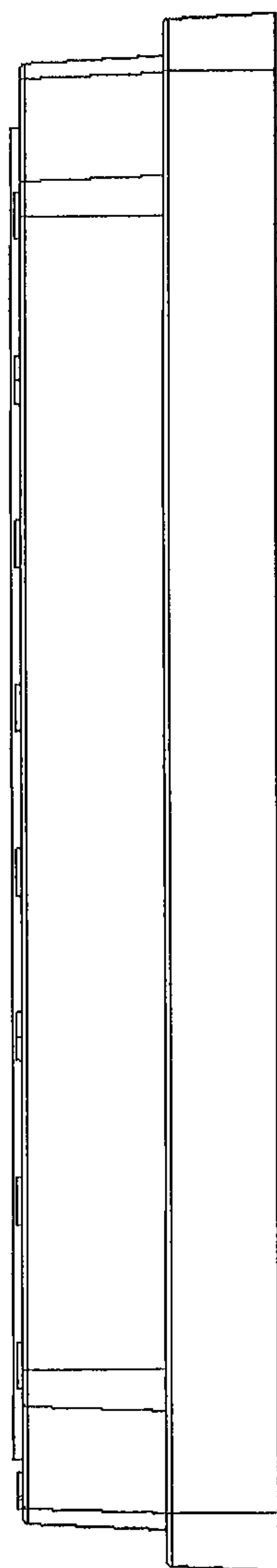


FIG. 6

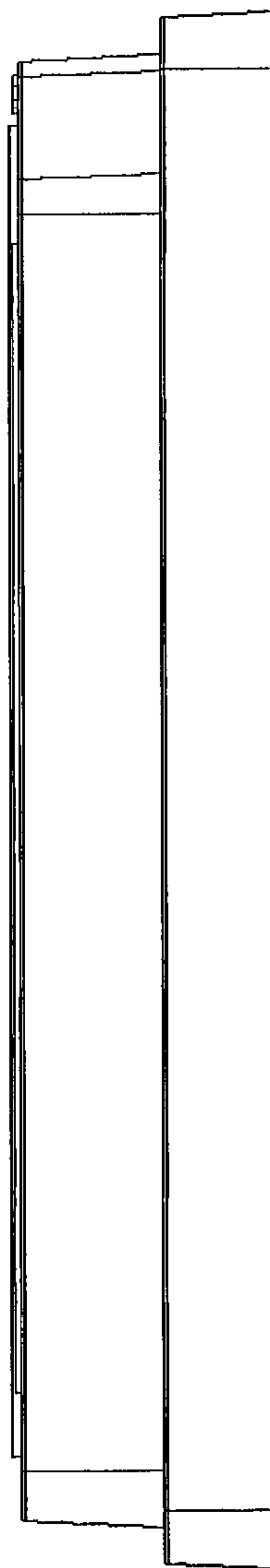


FIG. 7

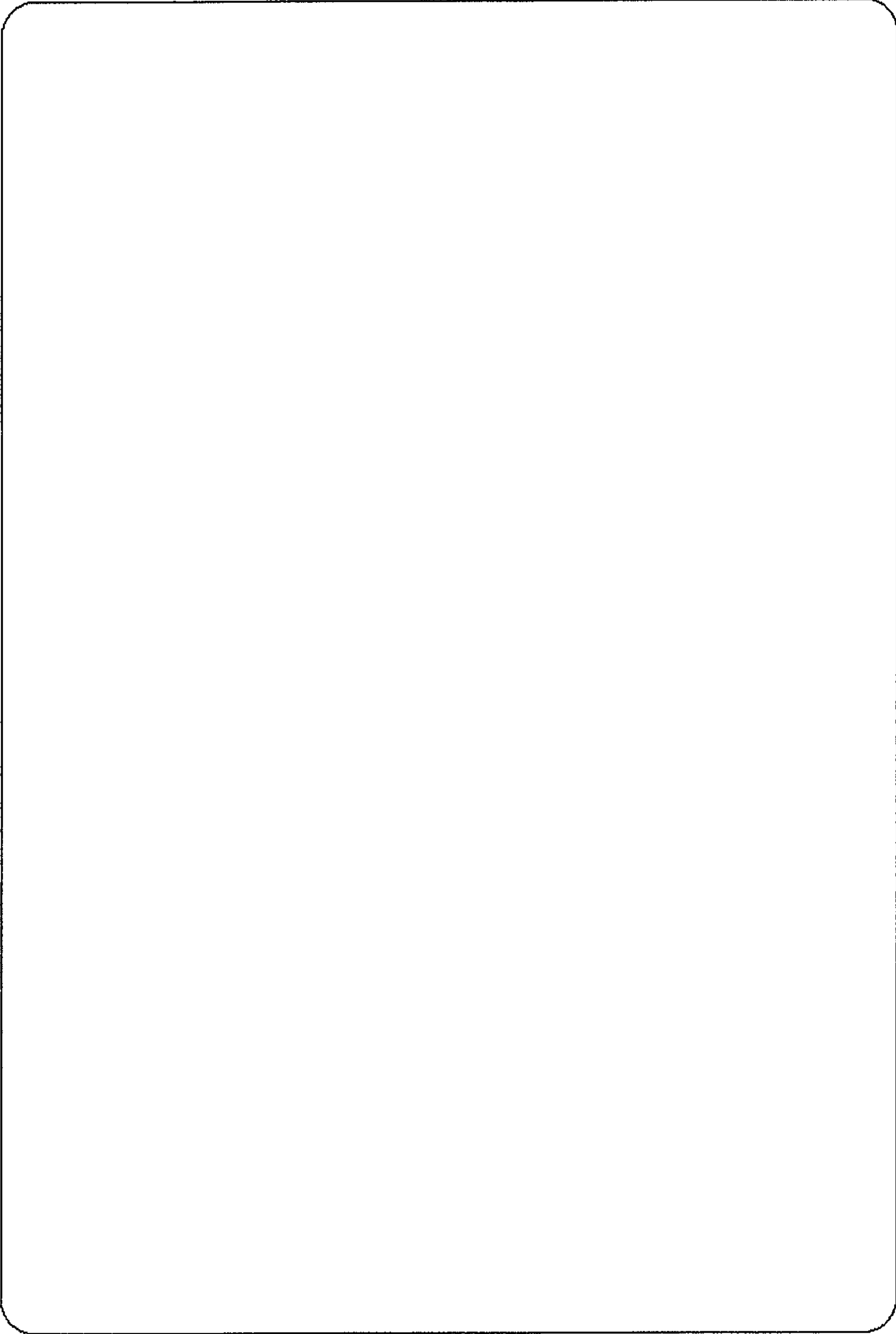


FIG. 8