



US00D729938S

(12) **United States Design Patent**
Farrell et al.

(10) **Patent No.:** **US D729,938 S**
(45) **Date of Patent:** **** May 19, 2015**

(54) **PISTON HEAD FOR A PERITONEAL DIALYSIS CYCLER**

(71) Applicant: **Fresenius Medical Care Holdings, Inc.**,
Waltham, MA (US)

(72) Inventors: **Sean Farrell**, Fresno, CA (US);
Kulwinder S. Plahey, Martinez, CA (US)

(73) Assignee: **Fresenius Medical Care Holdings, Inc.**,
Waltham, MA (US)

(**) Term: **14 Years**

(21) Appl. No.: **29/470,759**

(22) Filed: **Oct. 24, 2013**

(51) **LOC (10) Cl.** **24-01**

(52) **U.S. Cl.**
USPC **D24/169**

(58) **Field of Classification Search**
USPC D24/169, 186, 107, 108, 111, 216, 219,
D24/232, 127, 129, 231; 604/27, 29, 131,
604/132, 140, 141, 146, 30, 34, 153,
604/319-321, 38; 417/474, 477.2, 44.8,
417/458

See application file for complete search history.

(56) **References Cited**

U.S. PATENT DOCUMENTS

D402,765	S	*	12/1998	Smith et al.	D24/231
D556,909	S	*	12/2007	Reihanifam et al.	D24/169
D556,910	S		12/2007	Reihanifam et al.		
D565,728	S	*	4/2008	Jones	D24/108
D576,281	S		9/2008	Reihanifam et al.		
D611,800	S	*	3/2010	Ghatikar	D8/354
D612,513	S	*	3/2010	Hendricks et al.	D24/108
8,192,401	B2		6/2012	Morris et al.		
8,273,049	B2	*	9/2012	Demers et al.	417/477.2
2006/0195064	A1		8/2006	Plahey et al.		

2007/0112297	A1		5/2007	Plahey et al.		
2011/0015610	A1	*	1/2011	Plahey et al.	604/153
2011/0196289	A1	*	8/2011	Plahey et al.	604/29
2012/0230844	A1		9/2012	Farrell et al.		
2012/0271226	A1		10/2012	Farrell et al.		
2013/0330208	A1		12/2013	Ly et al.		
2014/0018728	A1		1/2014	Plahey et al.		

OTHER PUBLICATIONS

Liberty Cyclor Operator's Manual, Fresenius Medical Care, 2003-2004, 211 pages.

* cited by examiner

Primary Examiner — Anhdao Doan

(74) Attorney, Agent, or Firm — Fish & Richardson P.C.

(57) **CLAIM**

The ornamental design for a piston head for a peritoneal dialysis cyclor, as shown and described.

DESCRIPTION

FIG. 1 is a perspective view of an ornamental design for a piston head for a peritoneal dialysis cyclor;

FIG. 2 is a front view of the ornamental design for a piston head of FIG. 1;

FIG. 3 is a rear view of the ornamental design for a piston head of FIG. 1;

FIG. 4 is a right side view of the ornamental design for a piston head of FIG. 1;

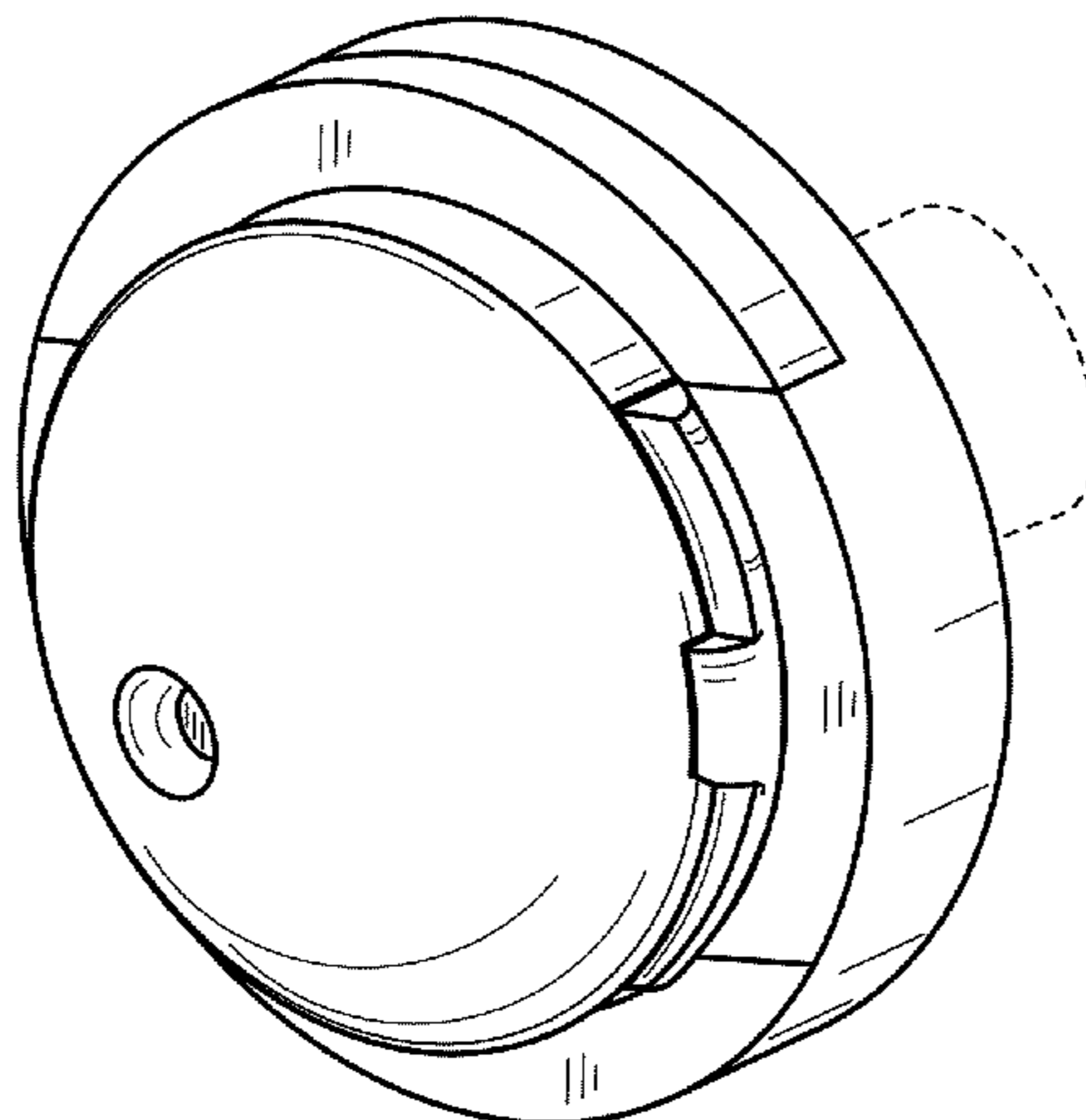
FIG. 5 is a left side view of the ornamental design for a piston head of FIG. 1;

FIG. 6 is a top plan view of the ornamental design for a piston head of FIG. 1; and,

FIG. 7 is a bottom plan view of the ornamental design for a piston head of FIG. 1.

The broken lines in the drawing views are included for the purpose of illustrating portions of the piston head for a peritoneal dialysis cyclor that form no part of the claimed design.

1 Claim, 4 Drawing Sheets



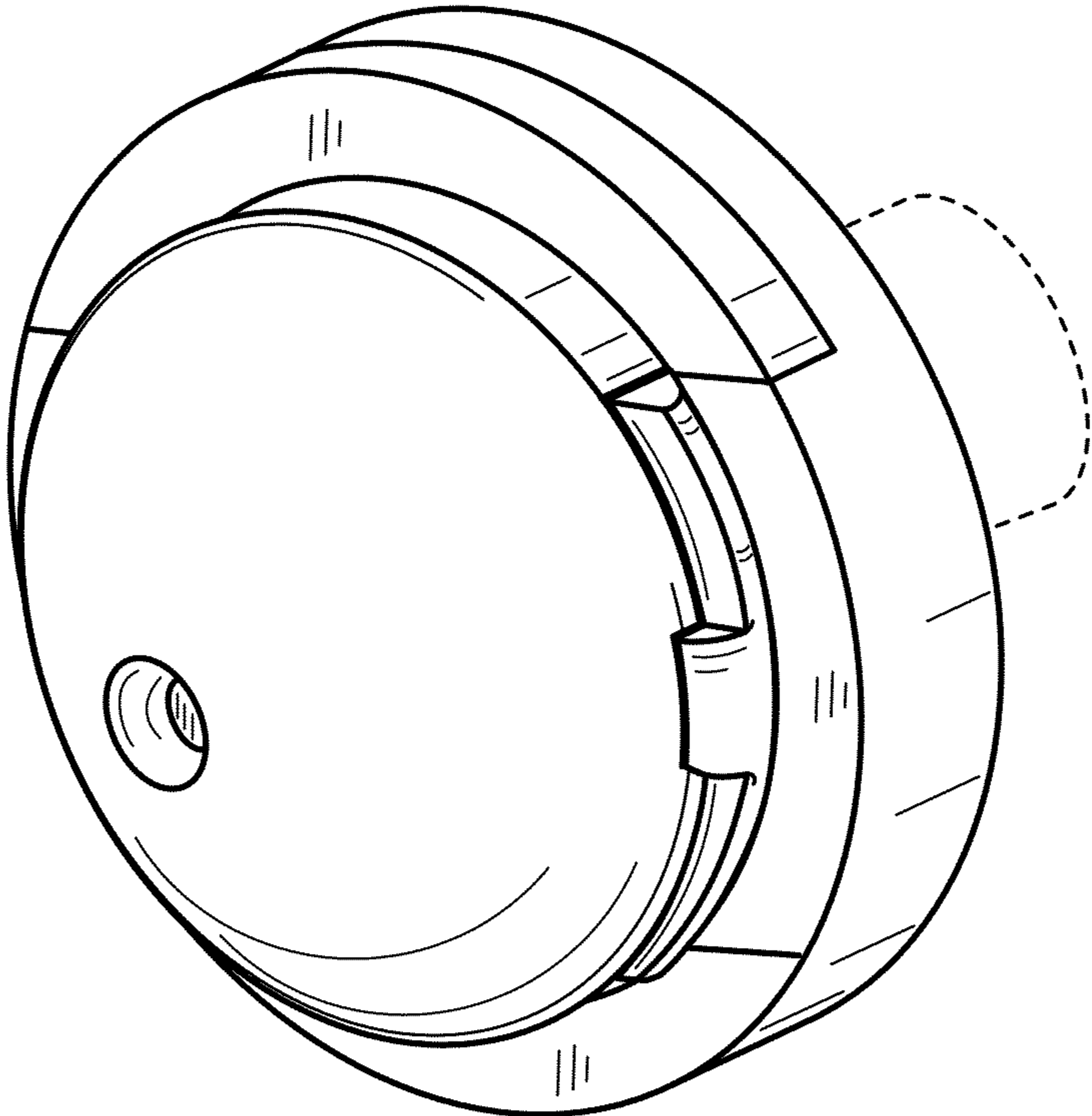


FIG. 1

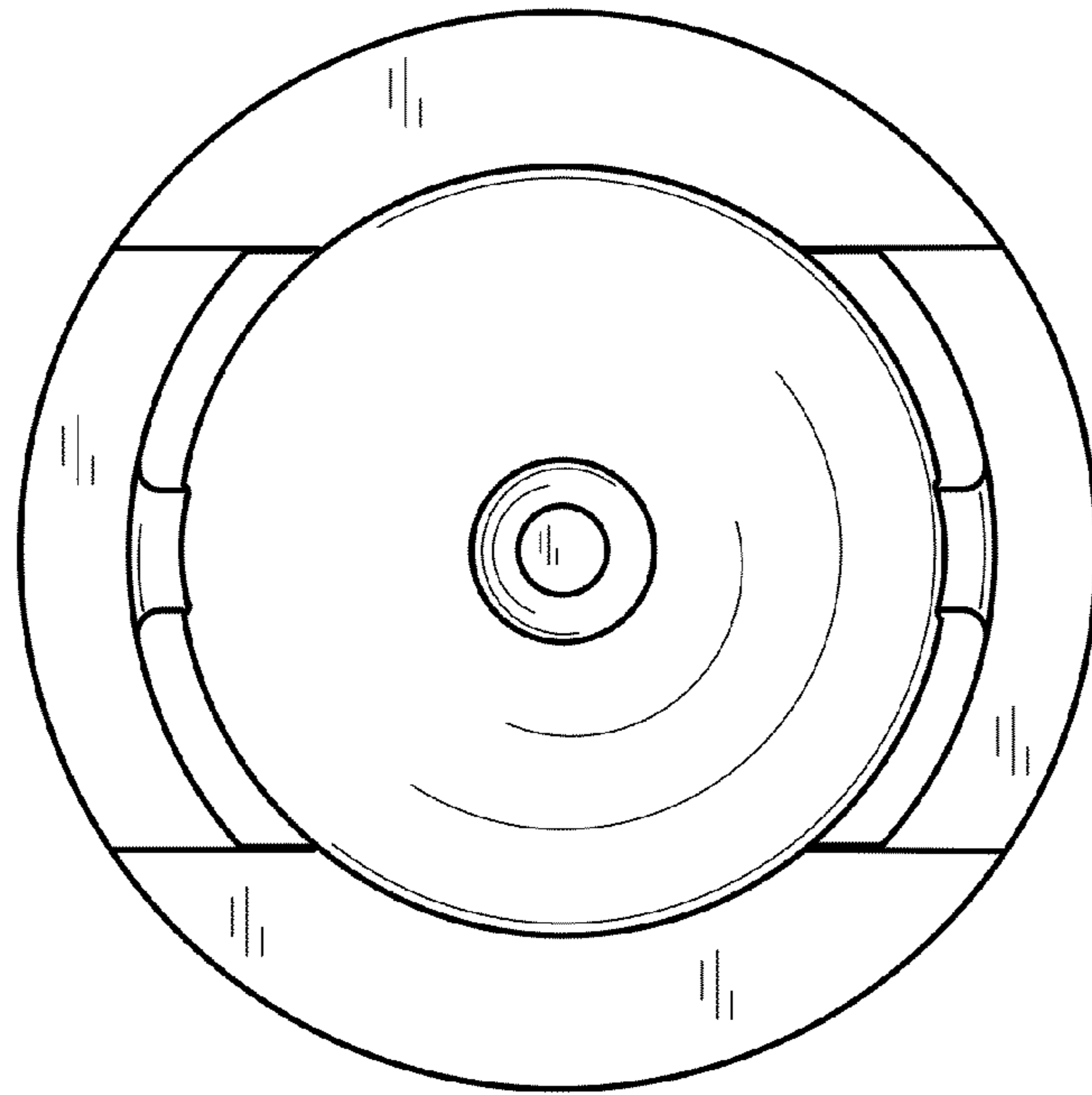


FIG. 2

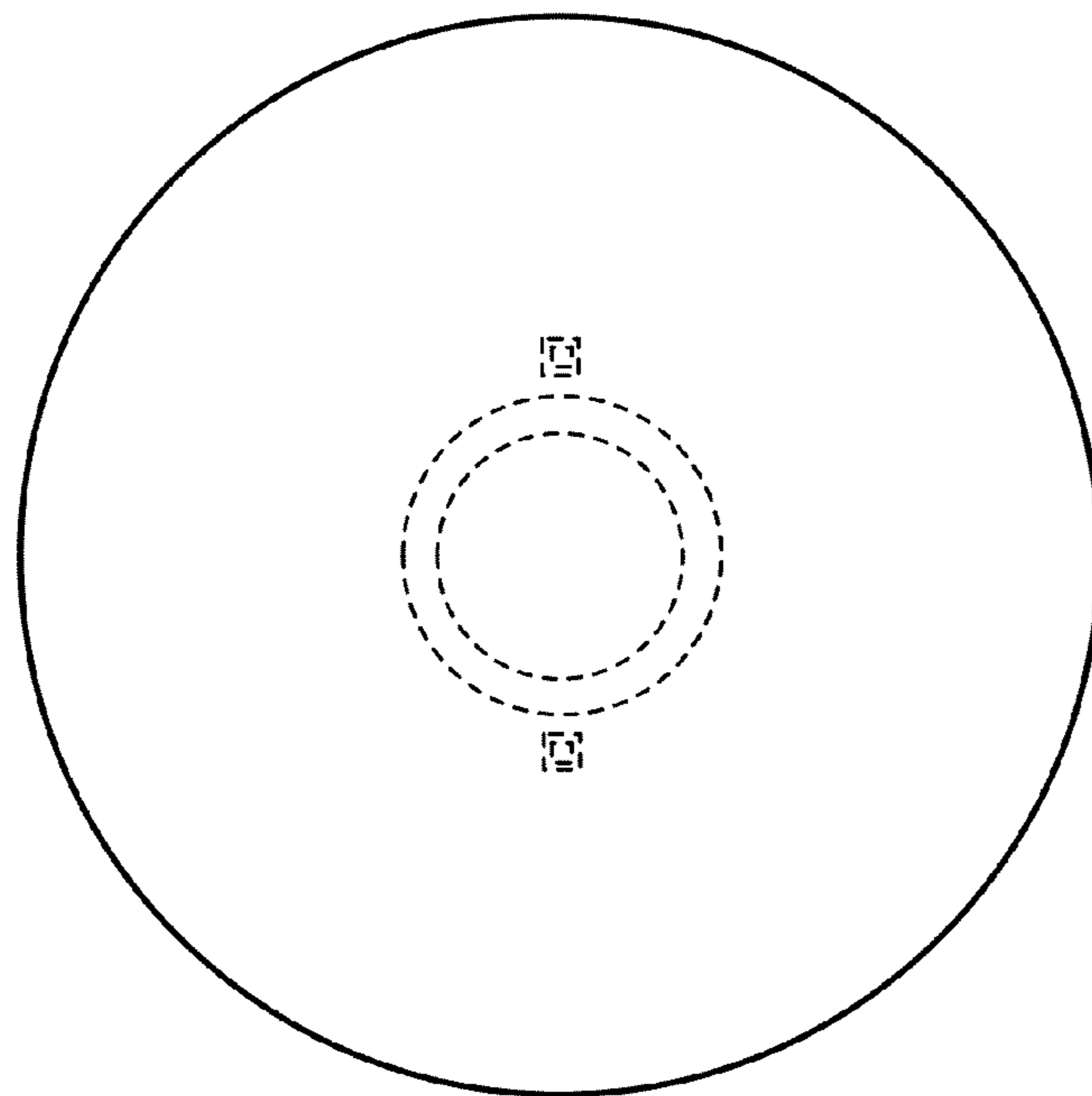


FIG. 3

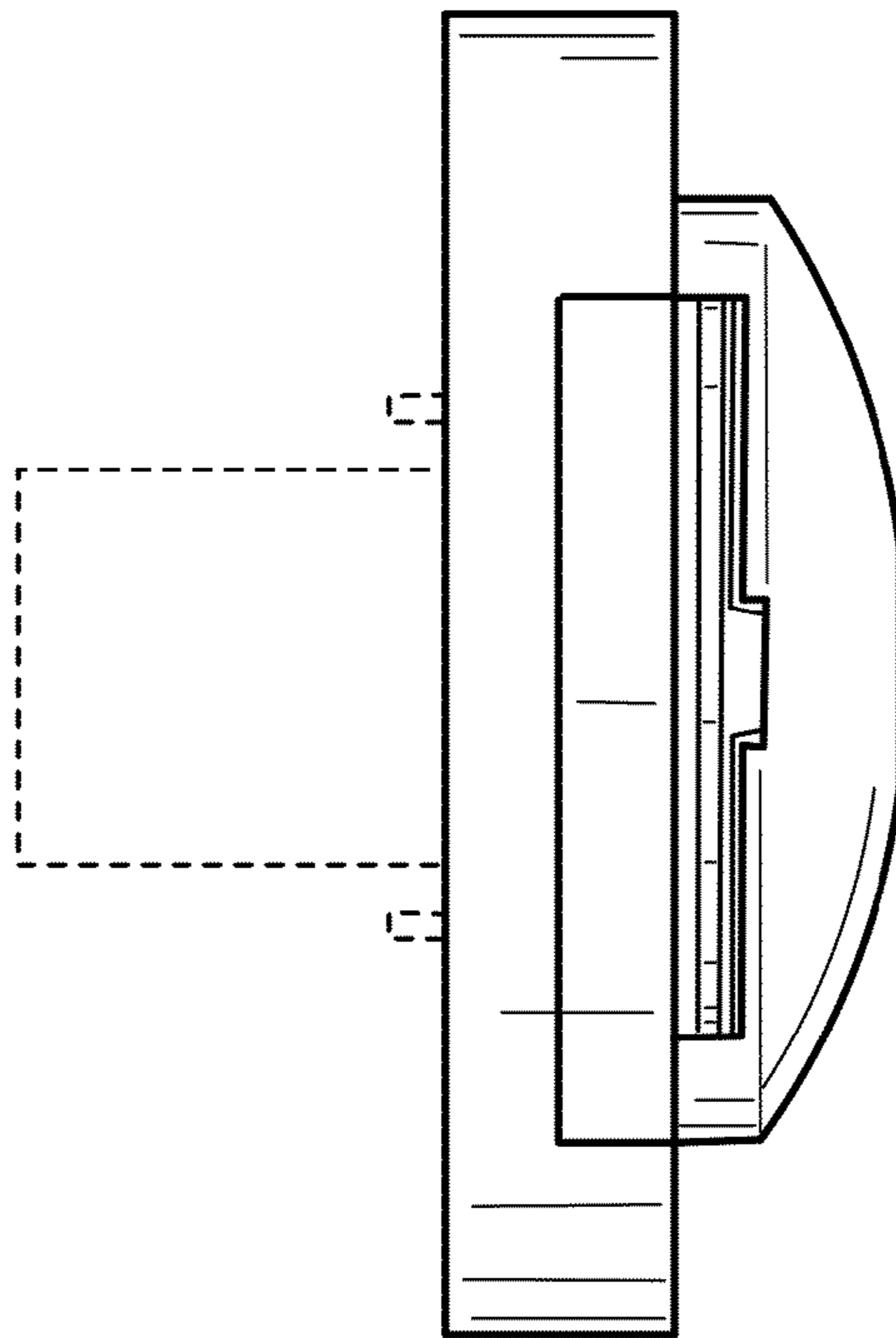


FIG. 4

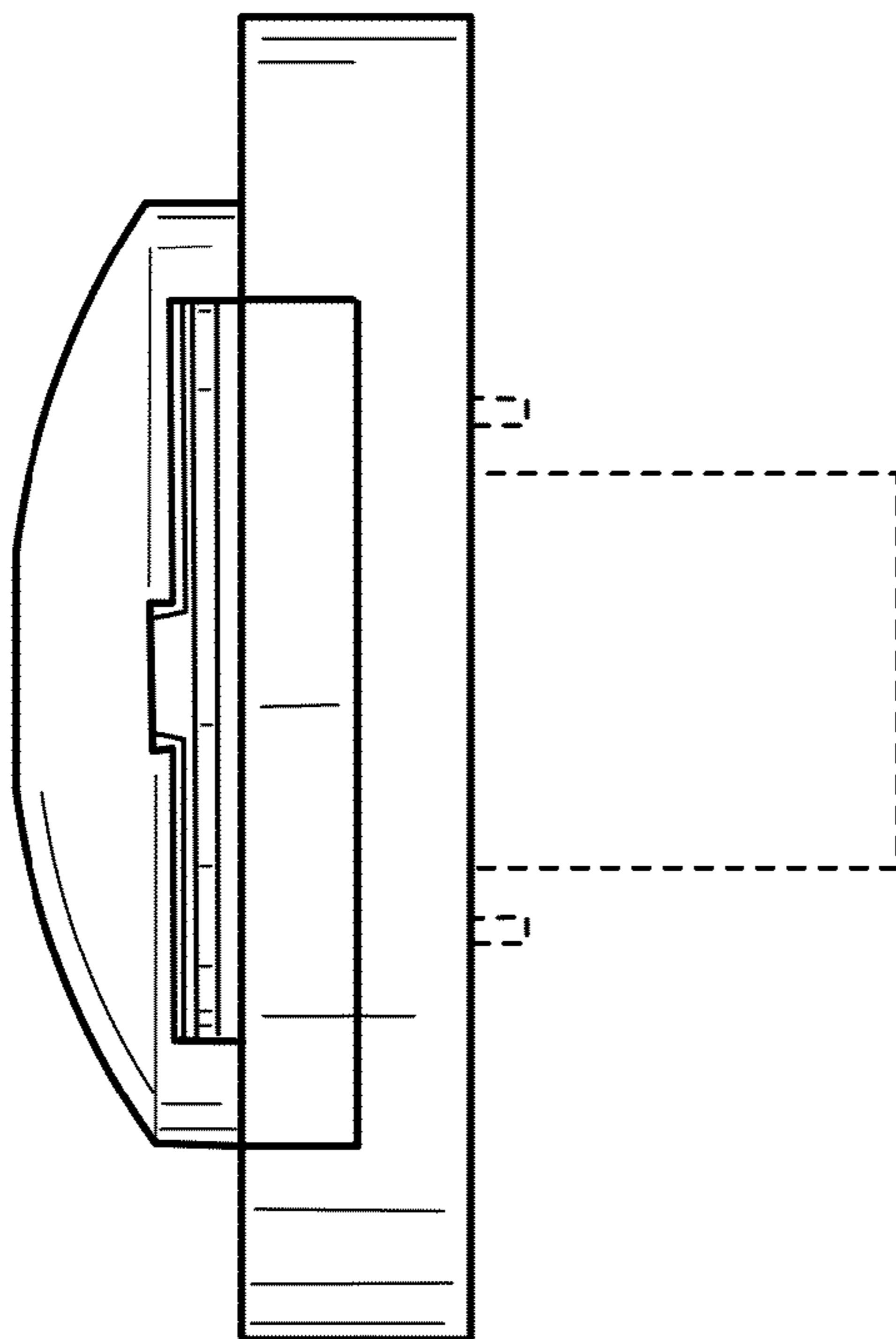


FIG. 5

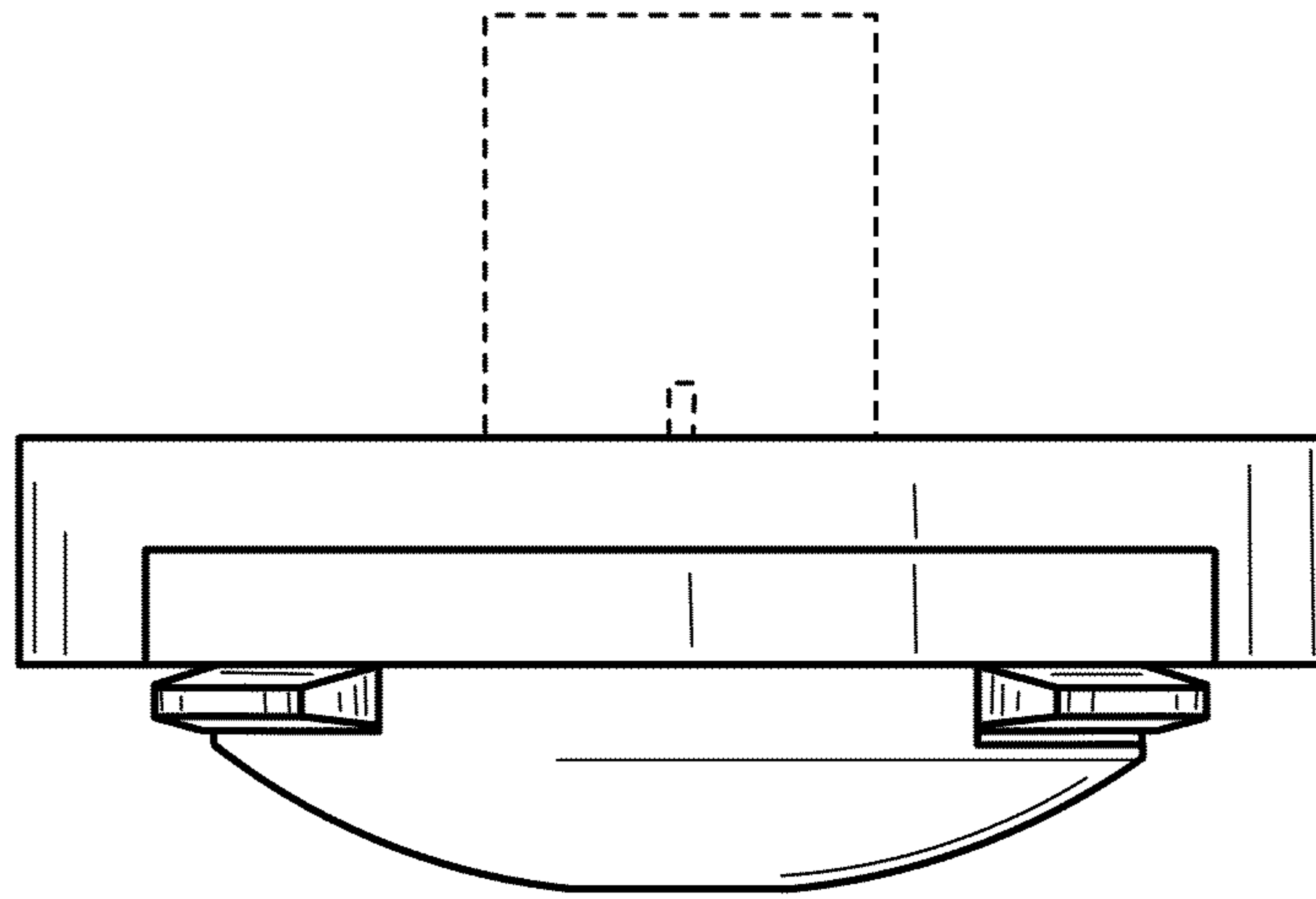


FIG. 6

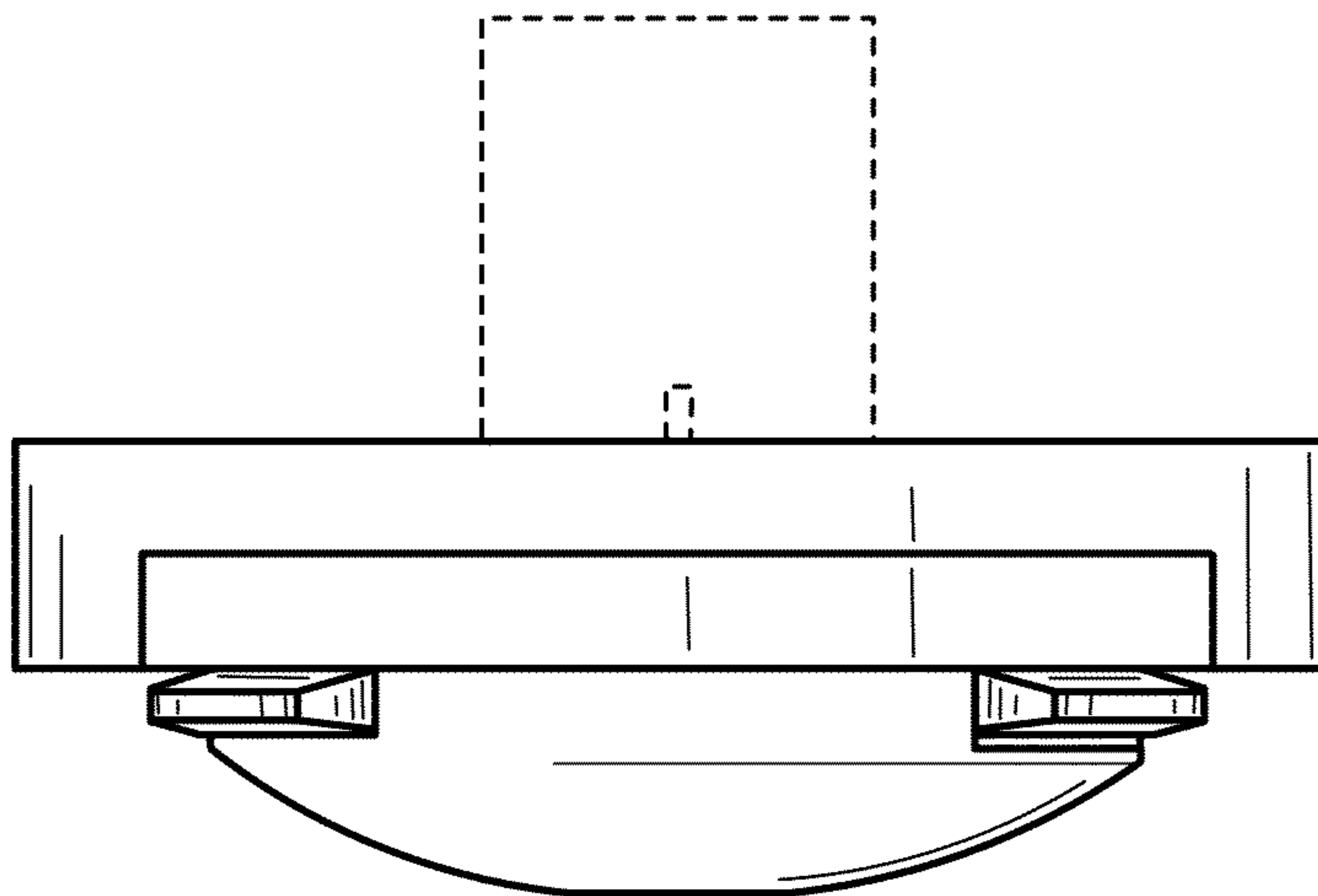


FIG. 7