



US00D729937S

(12) **United States Design Patent**
Acker et al.

(10) **Patent No.:** **US D729,937 S**

(45) **Date of Patent:** **** *May 19, 2015**

- (54) **THERAPEUTIC GAS DELIVERY DEVICE**
- (71) Applicant: **INO Therapeutics LLC**, Hampton, NJ (US)
- (72) Inventors: **Jaron Acker**, New York, NY (US); **Jarod Beukelman**, Lake Mills, WI (US); **Curtis Benjamin Irwin**, Madison, WI (US); **Daniel J. Lee**, Monticello, WI (US); **Nicholas Scott Reback**, Madison, WI (US); **Sarah Jayne Ridley**, Phillipsburg, NJ (US); **David Robert Strait**, Madison, WI (US)
- (73) Assignee: **INO Therapeutics LLC**, Hampton, NJ (US)
- (*) Notice: This patent is subject to a terminal disclaimer.
- (**) Term: **14 Years**
- (21) Appl. No.: **29/467,028**
- (22) Filed: **Sep. 13, 2013**
- (51) **LOC (10) Cl.** **24-01**
- (52) **U.S. Cl.**
USPC **D24/164**
- (58) **Field of Classification Search**
USPC D24/220, 164, 221, 176, 180, 170, 187, D24/142, 64, 165, 110.5, 110, 186, 232, D24/216, 231, 169, 168, 163; D7/379; D15/19, 138, 147; D14/218; D10/78, D10/96; 73/23.3, 861.52; 128/205.24; 600/538, 529, 532; 222/145.6; 366/172.1, 181.4, 307, 318, 320, 323, 366/336, 339
See application file for complete search history.

- D483,859 S * 12/2003 Omholt D24/110
- D510,044 S * 9/2005 Ribeiro et al. D10/78
- D585,540 S * 1/2009 Lithgow et al. D24/110
- D606,655 S * 12/2009 Wilkinson et al. D24/164
- D613,411 S * 4/2010 Collins et al. D24/186
- D635,244 S * 3/2011 Virr et al. D24/110
- D666,724 S * 9/2012 Wilhelm D24/164
- D681,231 S * 4/2013 Steinhauer et al. D24/232
- D693,468 S * 11/2013 Meng et al. D24/164
- 2012/0029376 A1 * 2/2012 Meng et al. 600/538

OTHER PUBLICATIONS

Non-Final Office Action in U.S. Appl. No. 29/467,025, mailed Mar. 27, 2014, 8 pgs.

Final Office Action in U.S. Appl. No. 29/467,025, dated Oct. 2, 2014, 9 pgs.

* cited by examiner

Primary Examiner — Holly Baynham

Assistant Examiner — Rhea Shields

(74) *Attorney, Agent, or Firm* — Servilla Whitney LLC

(57) **CLAIM**

The ornamental design for a therapeutic gas delivery device, substantially as shown and described.

DESCRIPTION

FIG. 1 is a front top right perspective view of a therapeutic gas delivery device;

FIG. 2 is a front view of a therapeutic gas delivery device;

FIG. 3 is a top view of a therapeutic gas delivery device;

FIG. 4 is a back view of a therapeutic gas delivery device;

FIG. 5 is a bottom view of a therapeutic gas delivery device;

FIG. 6 is a right view of a therapeutic gas delivery device; and,

FIG. 7 is a left view of a therapeutic gas delivery device.

In the drawings, the broken lines depict environmental subject matter only and form no part of the claimed design.

(56) **References Cited**

U.S. PATENT DOCUMENTS

D339,635 S * 9/1993 Waterson et al. D24/164

1 Claim, 7 Drawing Sheets

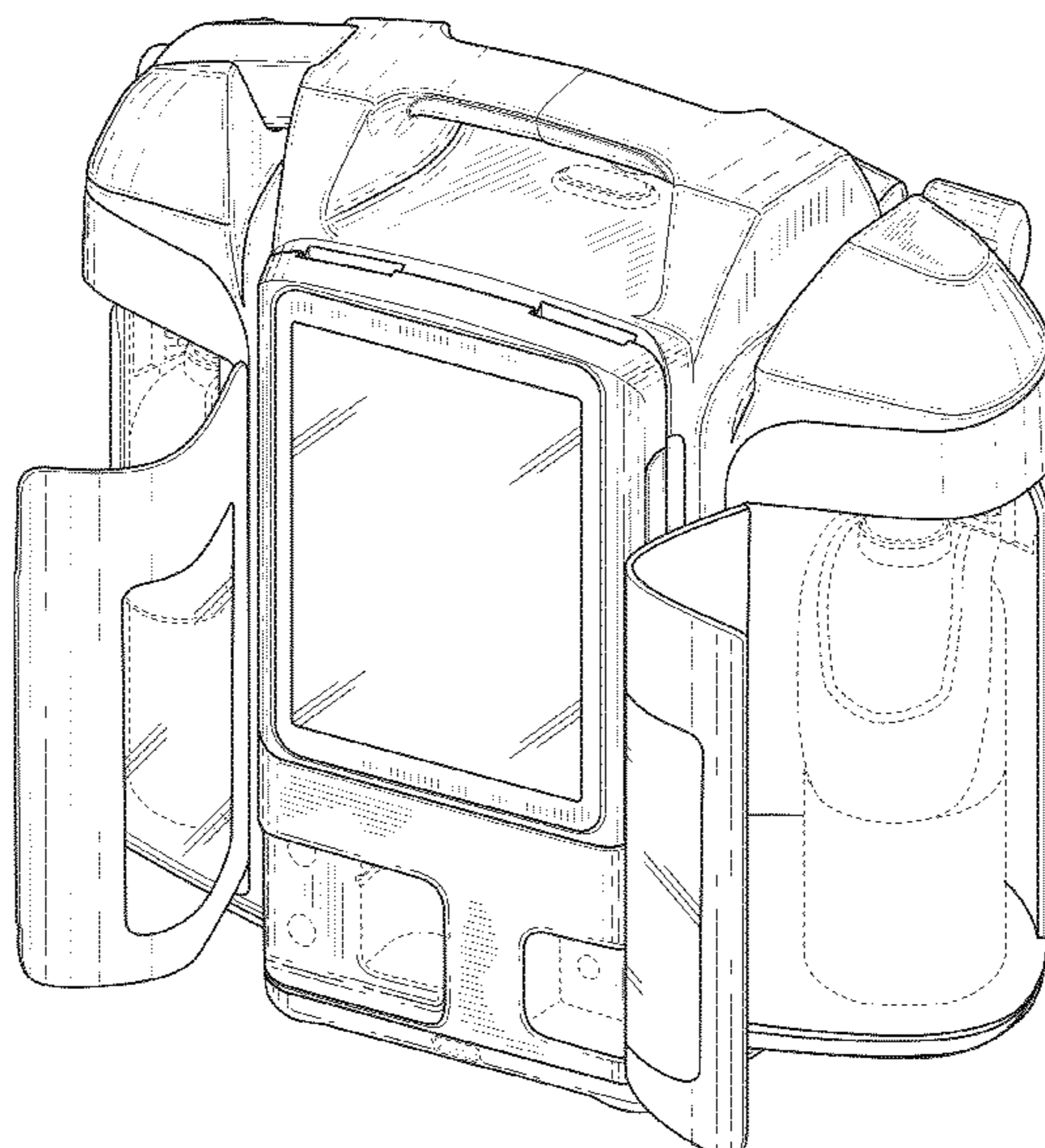


FIG. 1

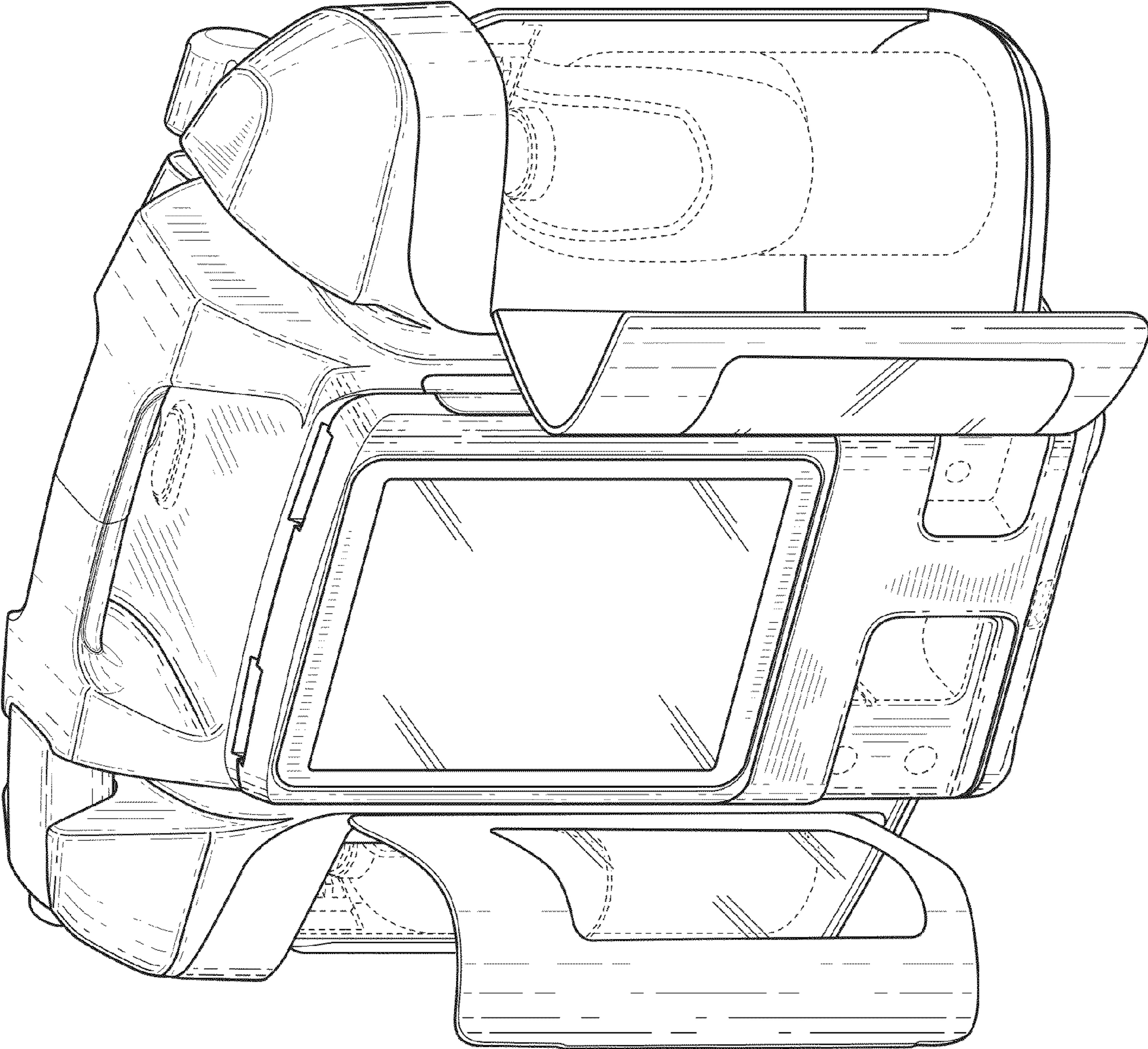
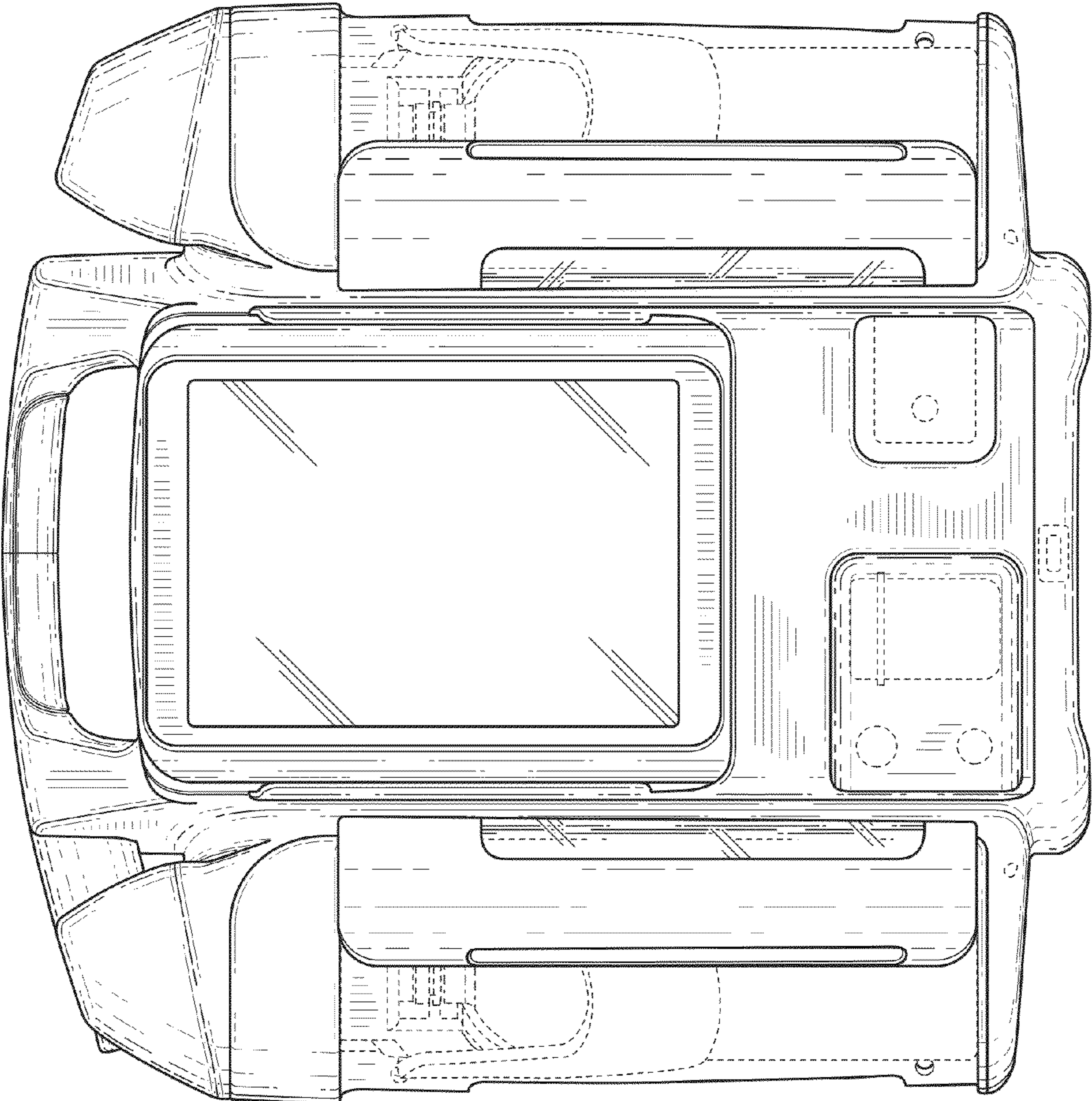


FIG. 2



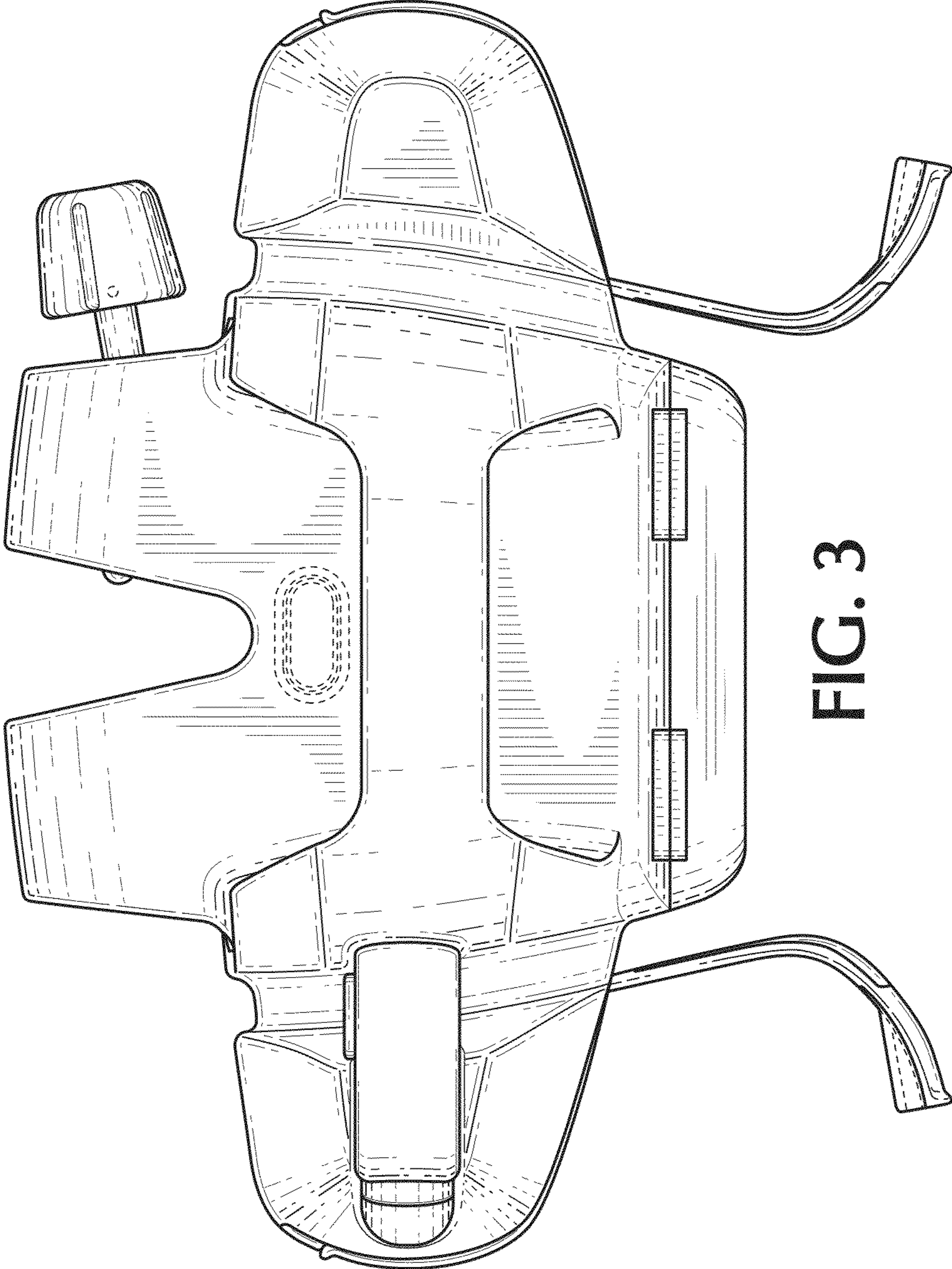
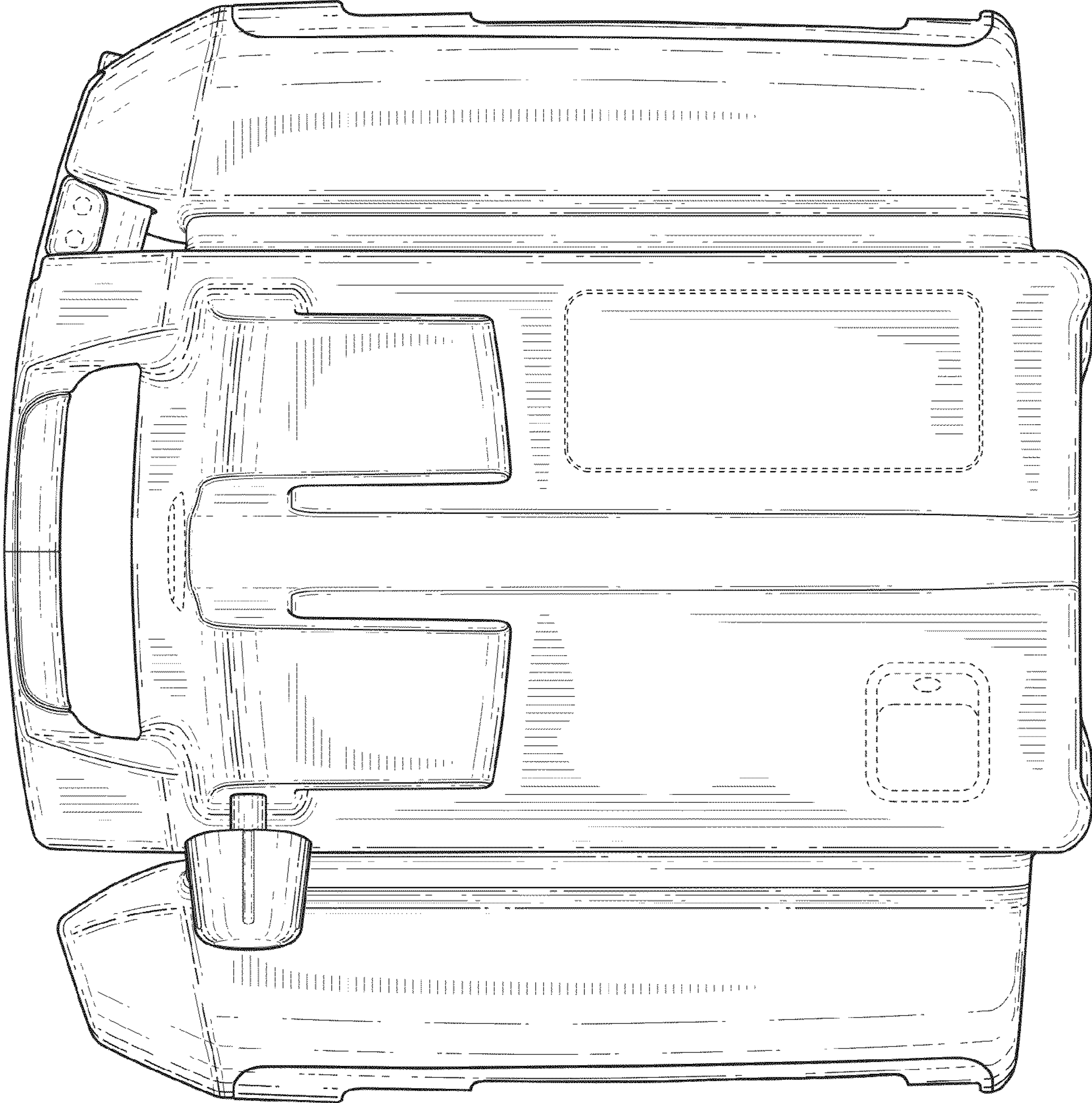


FIG. 3

FIG. 4



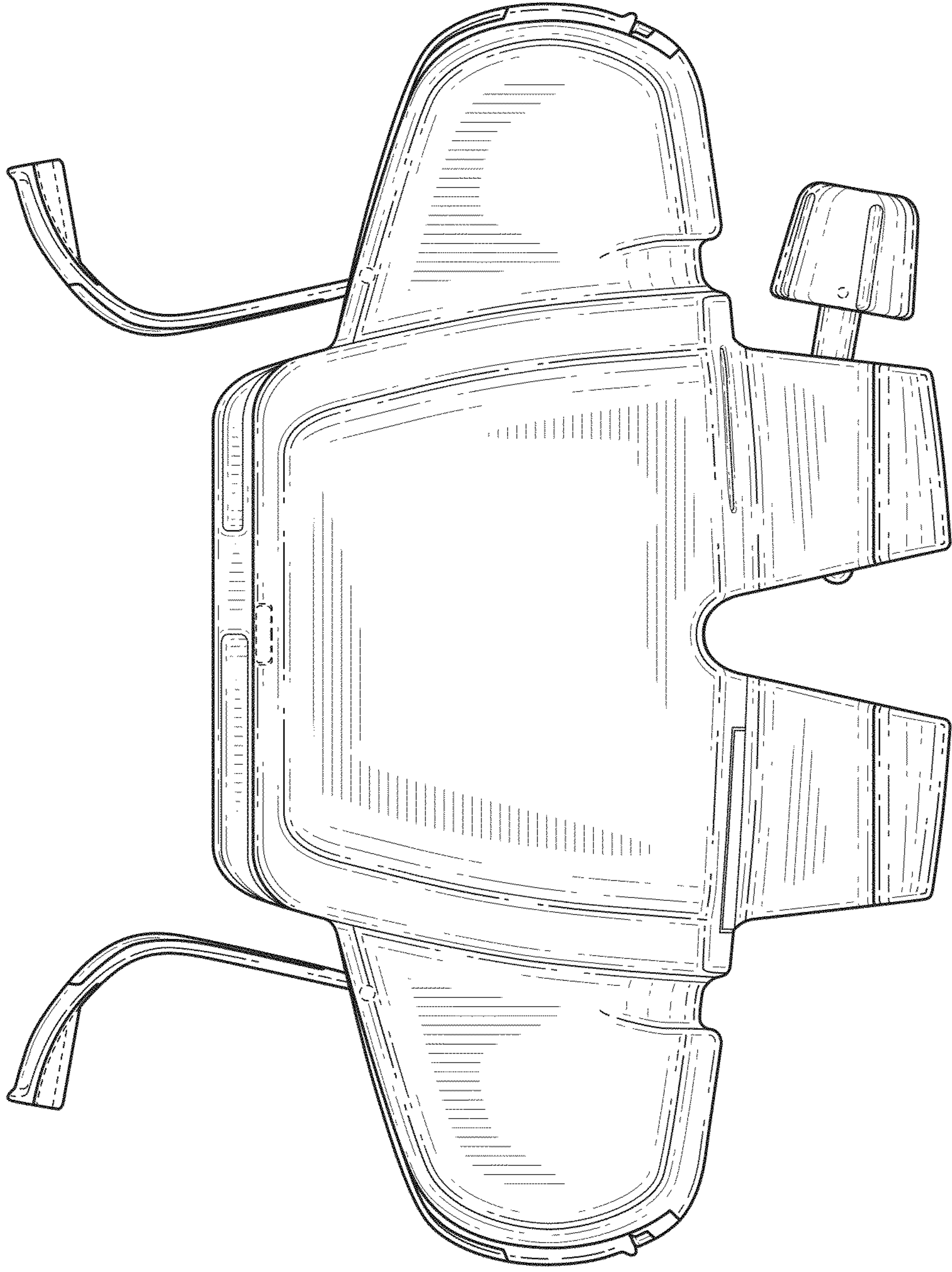


FIG. 5

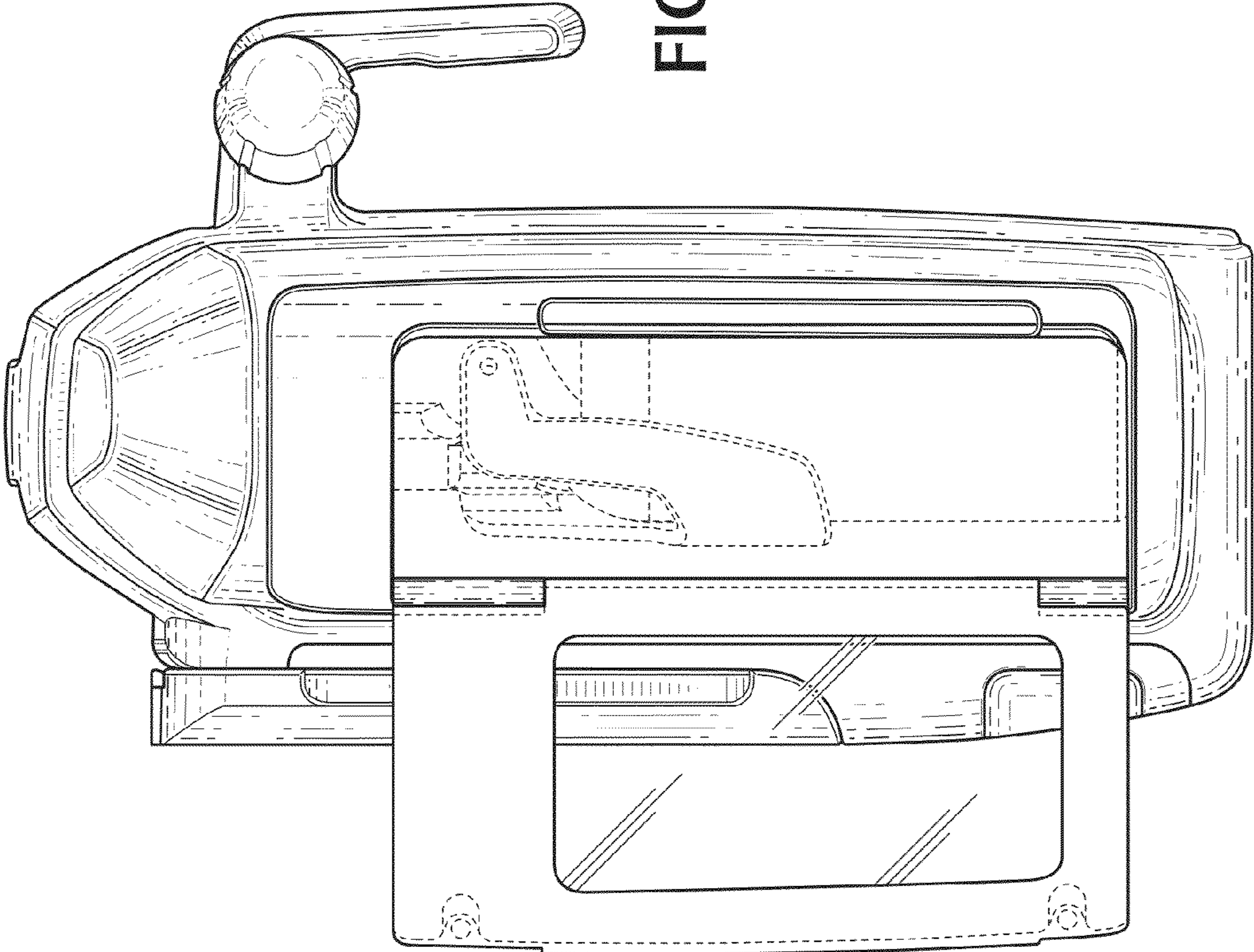


FIG. 6

FIG. 7

