



US00D729936S

(12) **United States Design Patent**
Reback

(10) **Patent No.:** **US D729,936 S**
(45) **Date of Patent:** **** May 19, 2015**

- (54) **THERAPEUTIC GAS DELIVERY DEVICE**
- (71) Applicant: **INO Therapeutics LLC**, Hampton, NJ
(US)
- (72) Inventor: **Nicholas Scott Reback**, Madison, WI
(US)
- (73) Assignee: **INO Therapeutics LLC**, Hampton, NJ
(US)

7,681,572	B2	3/2010	Fishman	
D613,411	S *	4/2010	Collins et al.	D24/186
D619,700	S	7/2010	Kenyon et al.	
D635,244	S *	3/2011	Virr et al.	D24/110
D666,299	S	8/2012	Bergman et al.	
D666,724	S	9/2012	Wilhelm	
D679,800	S	4/2013	Gusky et al.	
D681,231	S *	4/2013	Steinhauer et al.	D24/232
D693,468	S *	11/2013	Meng et al.	D24/164
2009/0044804	A1	2/2009	Fishman	
2012/0029376	A1 *	2/2012	Meng et al.	600/538

- (**) Term: **14 Years**
 - (21) Appl. No.: **29/464,499**
 - (22) Filed: **Aug. 16, 2013**
 - (51) **LOC (10) Cl.** **24-00**
 - (52) **U.S. Cl.**
USPC **D24/164**
 - (58) **Field of Classification Search**
USPC D24/220, 164, 221, 176, 180, 170, 187,
D24/142, 64, 165, 110.5, 110, 186, 232,
D24/216, 231, 169, 168, 163; D7/379;
D15/19, 138, 147; D14/218; D10/78,
D10/96; 73/23.3, 861.52; 128/205.24;
600/538, 529, 532; 222/145.6;
366/172.1, 181.4, 307, 318, 320, 323,
366/336, 339
- See application file for complete search history.

OTHER PUBLICATIONS

U.S. Appl. No. 29/455,842, filed May 24, 2013, *Therapy Gas Delivery Device*, 15 pgs.

* cited by examiner

Primary Examiner — Holly Baynham
Assistant Examiner — Rhea Shields
(74) *Attorney, Agent, or Firm* — Servilla Whitney LLC

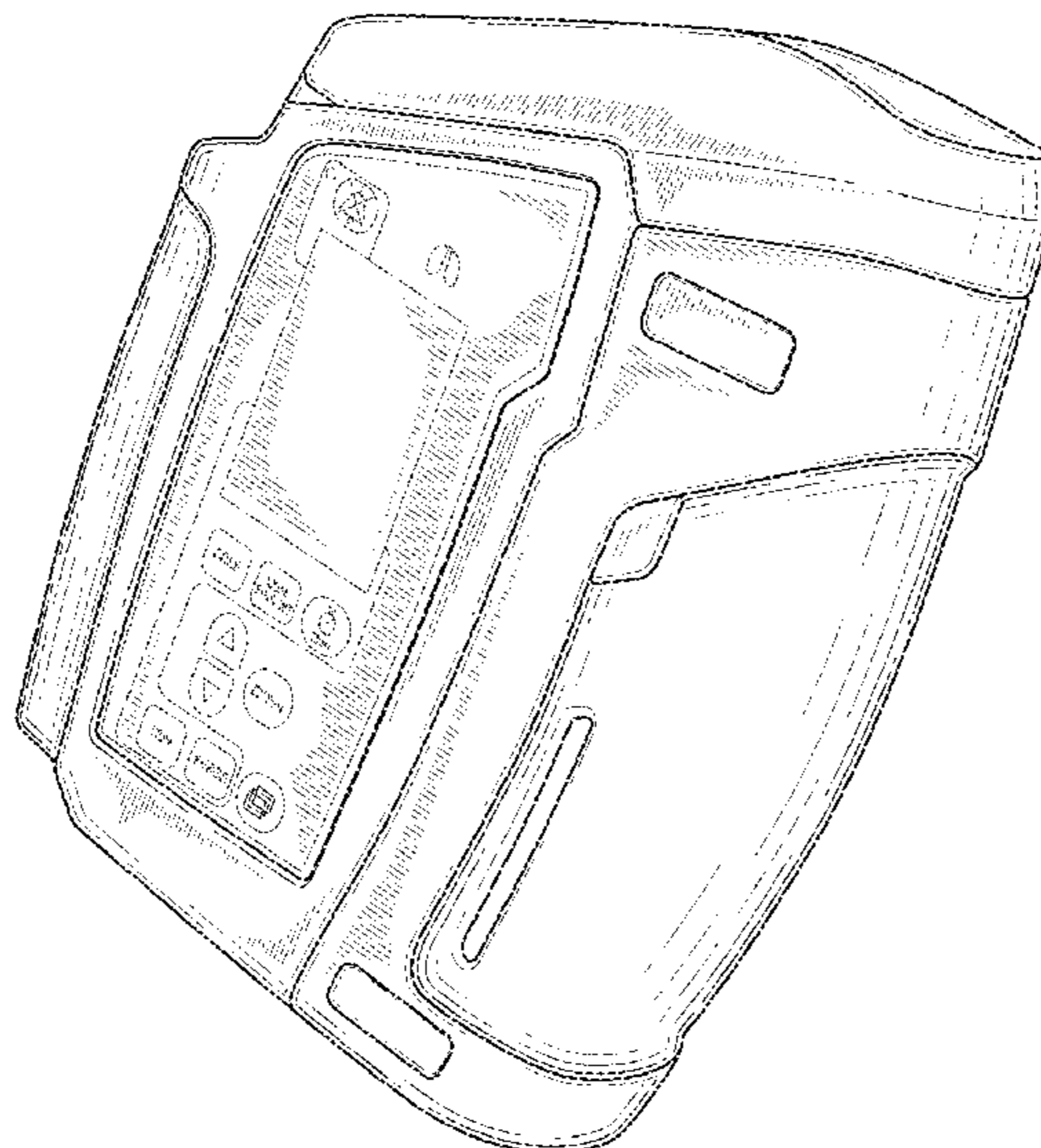
(57) **CLAIM**
The ornamental design for a therapeutic gas delivery device, substantially as shown and described.

DESCRIPTION

FIG. 1 is a front top right perspective view of a therapeutic gas delivery device;
FIG. 2 is a front view of a therapeutic gas delivery device;
FIG. 3 is a right view of a therapeutic gas delivery device;
FIG. 4 is a back view of a therapeutic gas delivery device;
FIG. 5 is a left view of a therapeutic gas delivery device;
FIG. 6 is a top view of a therapeutic gas delivery device; and,
FIG. 7 is a bottom view of a therapeutic gas delivery device.
In the drawings, the broken lines depict environmental subject matter only and form no part of the claimed design.

- (56) **References Cited**
U.S. PATENT DOCUMENTS
- | | | | | |
|----------|-----|---------|------------------|---------|
| D339,635 | S * | 9/1993 | Waterson et al. | D24/164 |
| D483,859 | S * | 12/2003 | Omholt | D24/110 |
| D510,044 | S * | 9/2005 | Ribeiro et al. | D10/78 |
| D585,540 | S * | 1/2009 | Lithgow et al. | D24/110 |
| D606,655 | S * | 12/2009 | Wilkinson et al. | D24/164 |

1 Claim, 5 Drawing Sheets



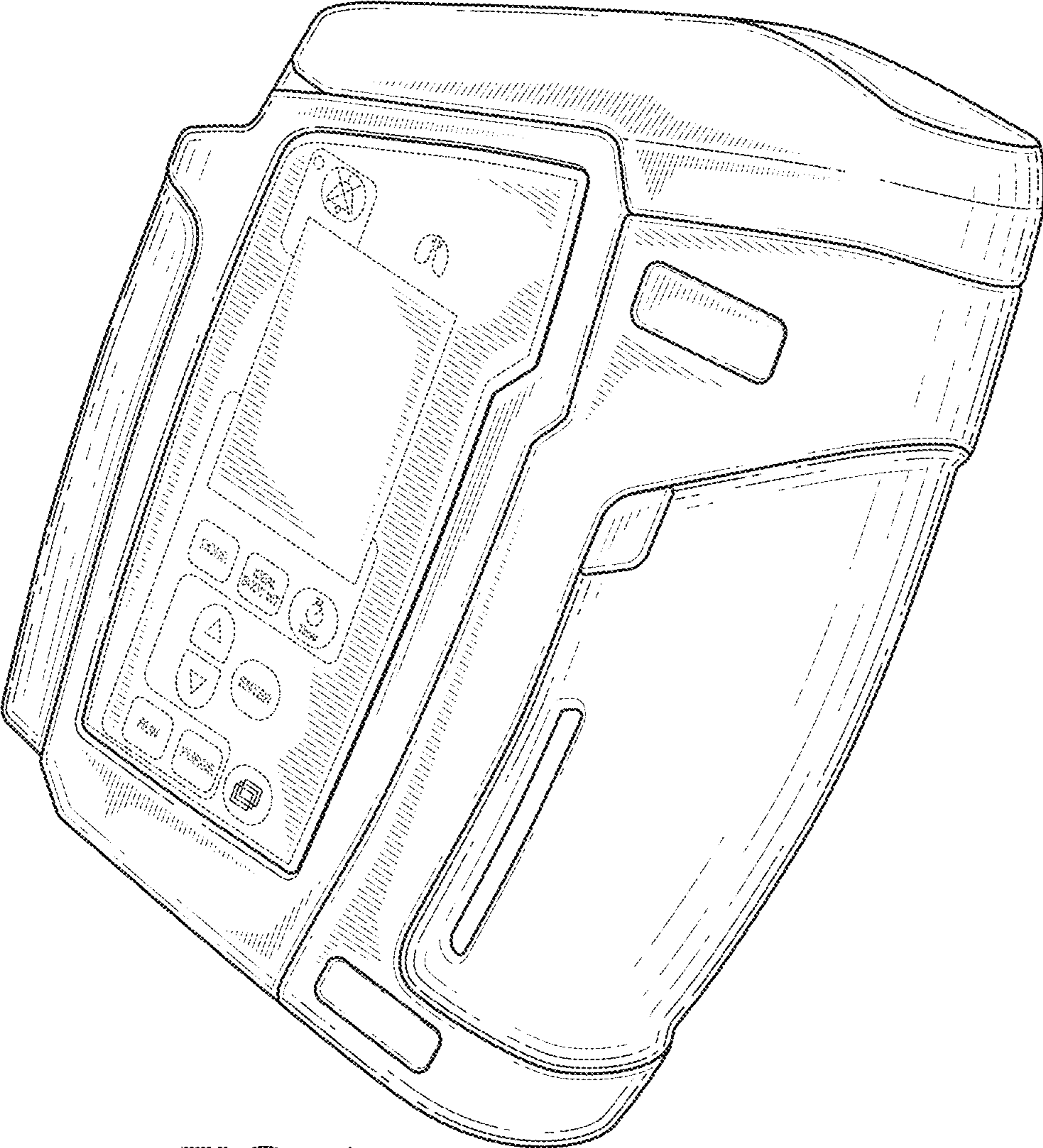


FIG. 1

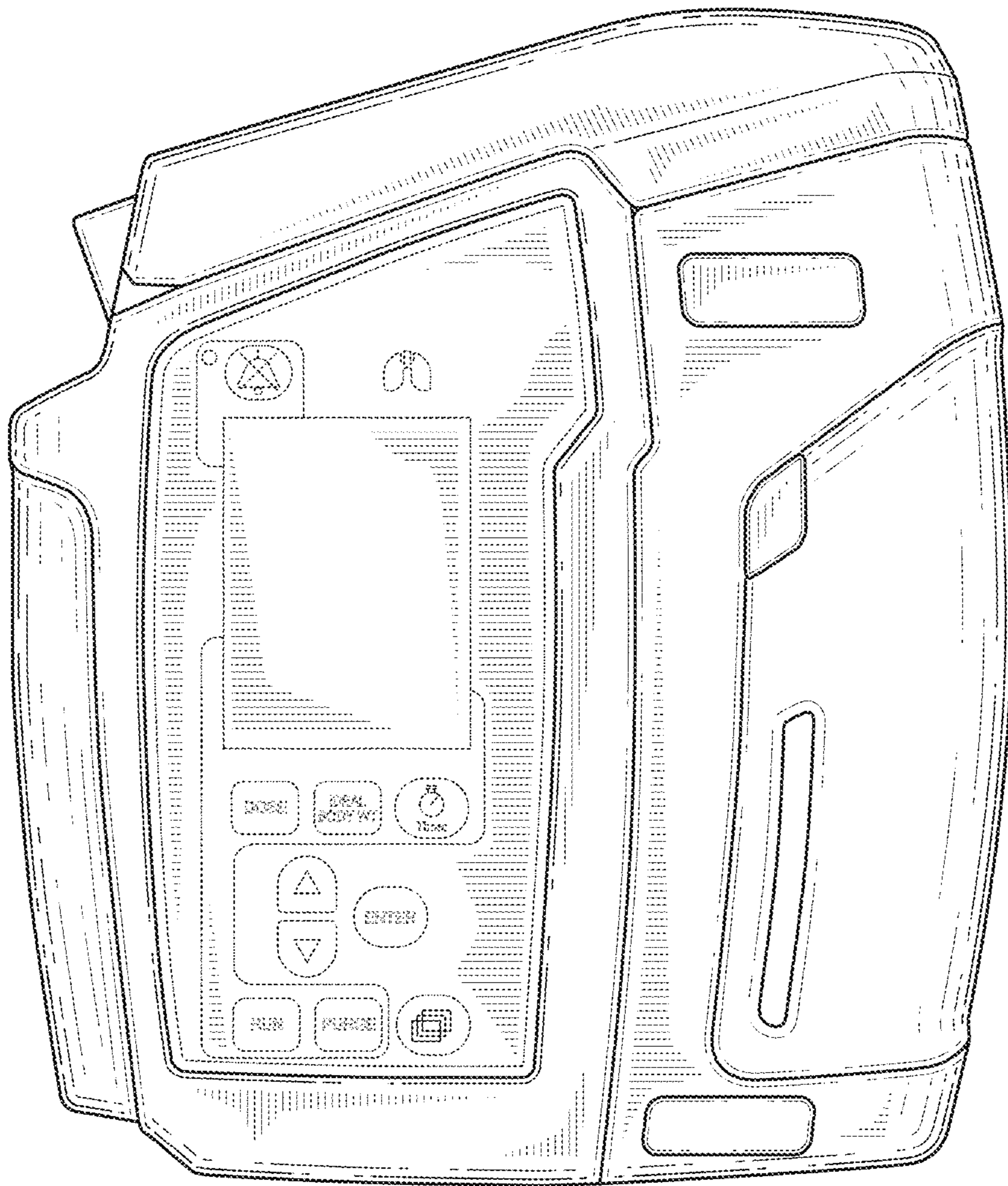


FIG. 2

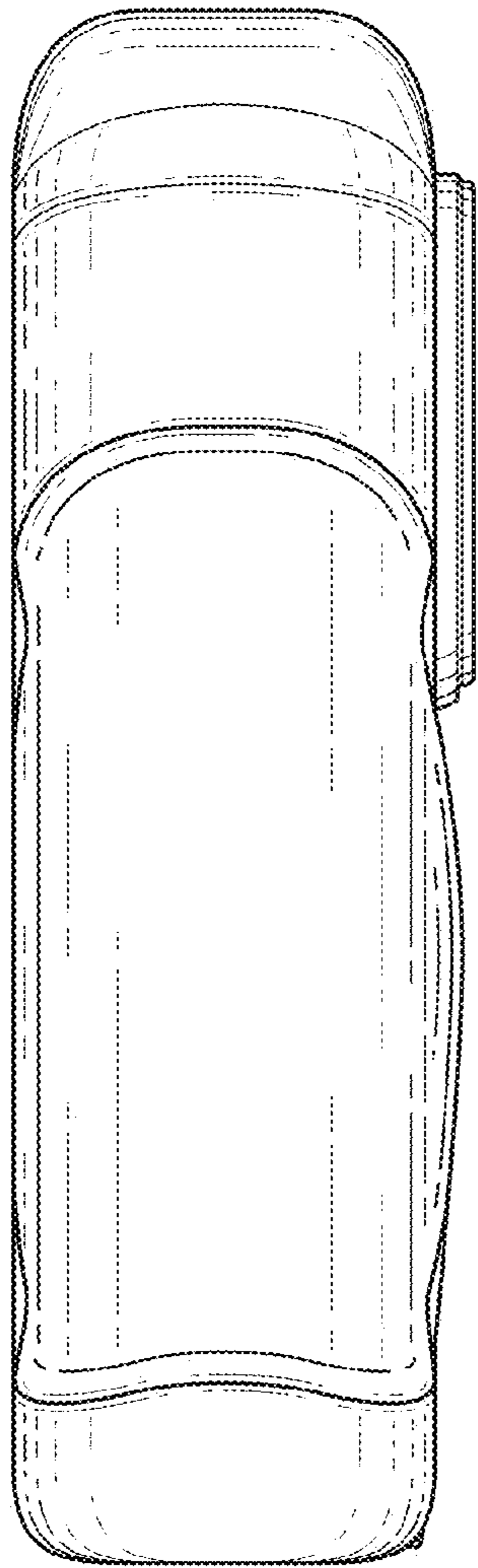


FIG. 3

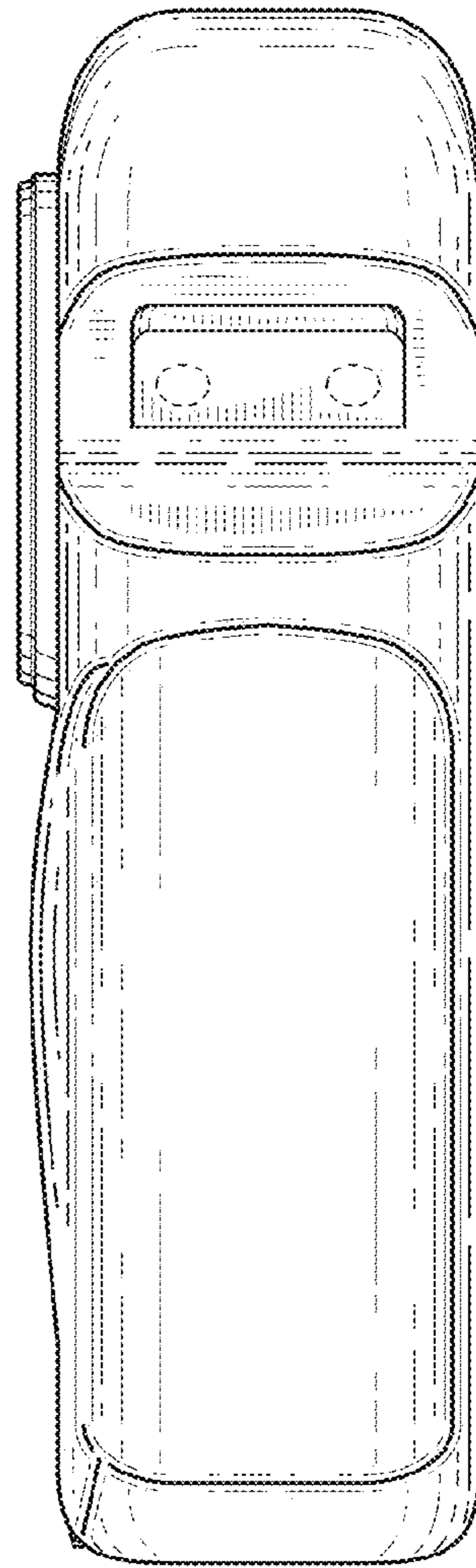


FIG. 5

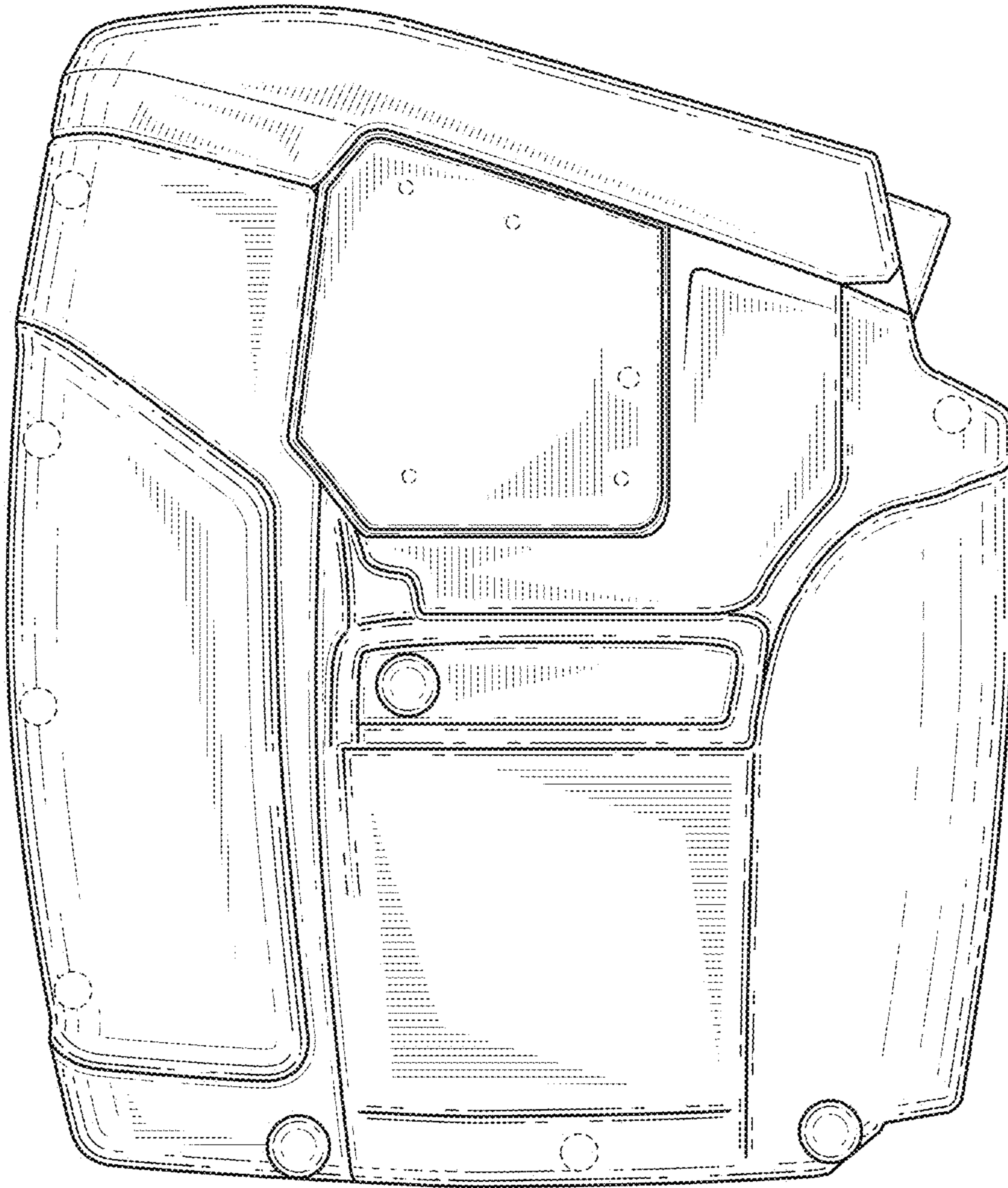


FIG. 4

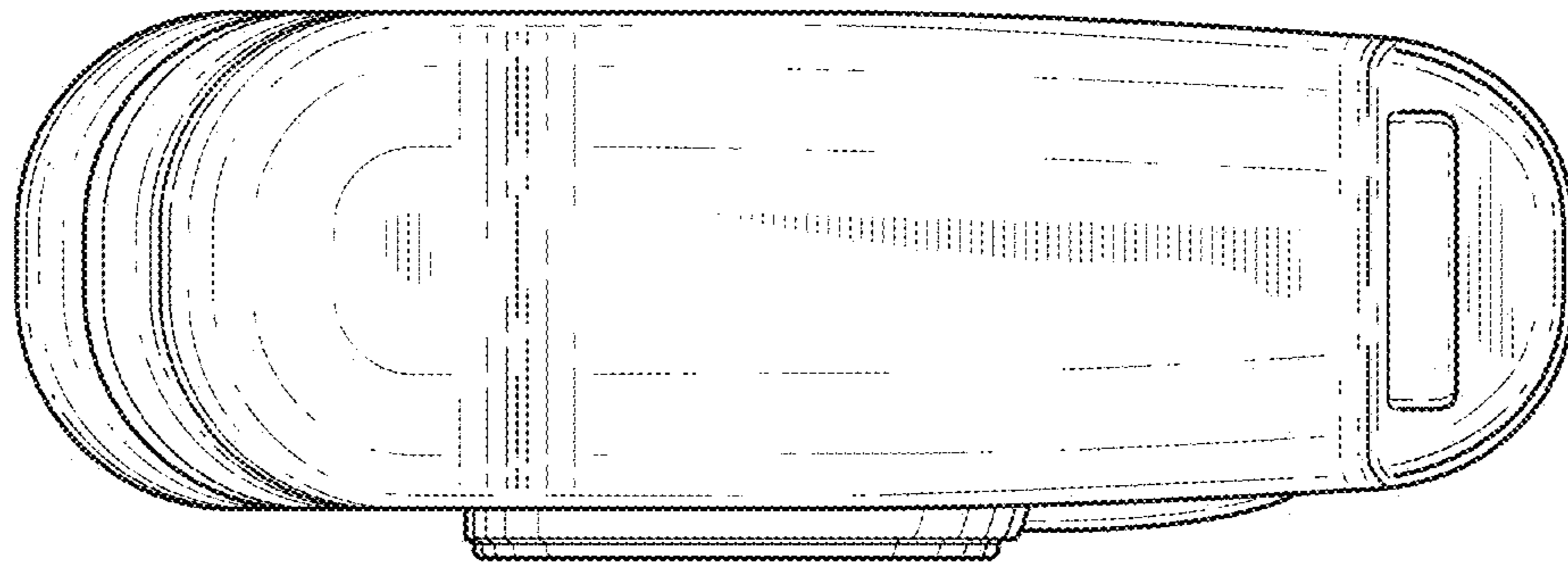


FIG. 6

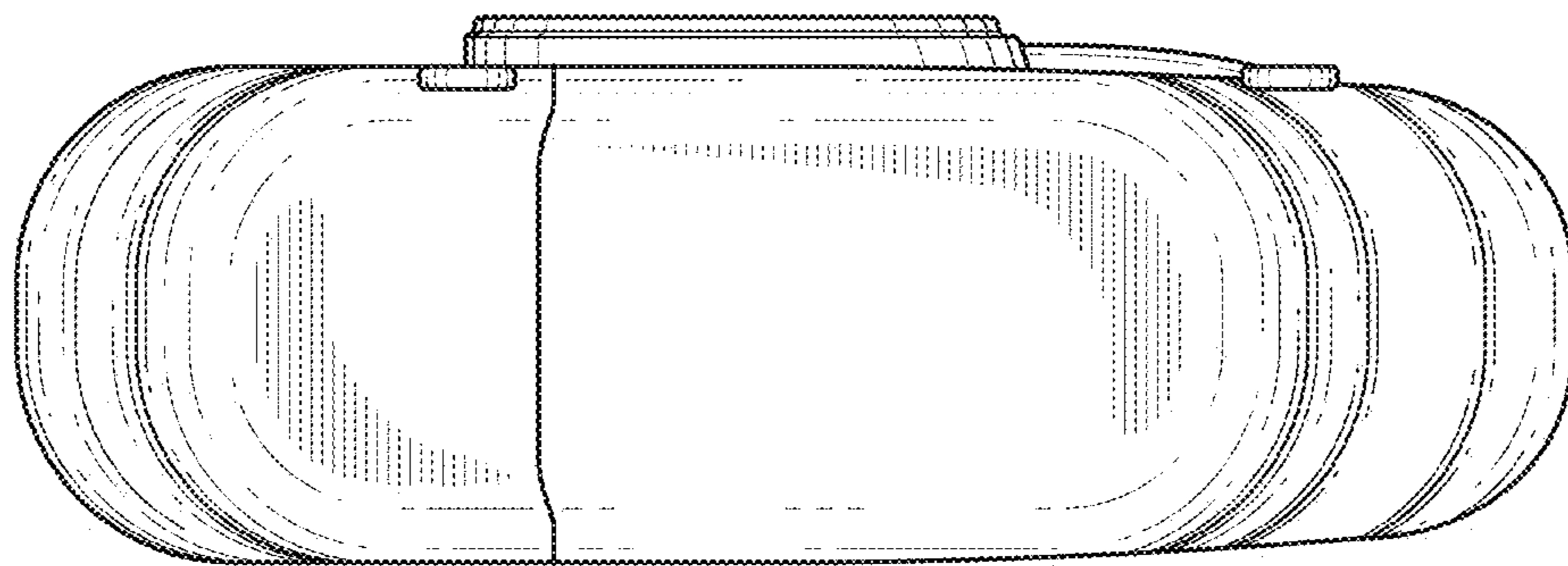


FIG. 7