



US00D729932S

(12) **United States Design Patent**
Riordan

(10) **Patent No.:** **US D729,932 S**

(45) **Date of Patent:** **** May 19, 2015**

(54) **DISPOSABLE MEDICINE CUP WITH
INFECTION CONTROL TAB**

5,553,793 A * 9/1996 Klearman et al. 241/30
D377,091 S * 12/1996 Scott, Sr. D24/121
5,618,004 A * 4/1997 Klearman et al. 241/21

(71) Applicant: **Dennis Christopher Riordan**, New
City, NY (US)

(Continued)

(72) Inventor: **Dennis Christopher Riordan**, New
City, NY (US)

FOREIGN PATENT DOCUMENTS

CN 201135615 Y 10/2008

(**) Term: **14 Years**

OTHER PUBLICATIONS

(21) Appl. No.: **29/471,142**

Kampf et al, Hand Hygiene For The Prevention of Nosocomial Infec-
tions, Dtsch Arztebl Int 2009; 106(40); 649-655.

(Continued)

(22) Filed: **Oct. 29, 2013**

(51) **LOC (10) Cl.** **24-04**

Primary Examiner — Susan Bennett Hattan

(52) **U.S. Cl.**

Assistant Examiner — Leanne Was

USPC **D24/121**

(74) *Attorney, Agent, or Firm* — Michael E. Zall

(58) **Field of Classification Search**

(57) **CLAIM**

USPC D7/300, 305, 318, 368, 397, 401.1, 500,
D7/533, 543, 546, 549, 589, 601, 602,
D7/619.1, 622, 637; D9/416, 434, 438,
D9/443, 547, 549; D10/46.2; D24/108,
D24/121, 122, 127, 128, 216, 224; 220/752,
220/754, 755, 757, 759, 768, 774; 604/317,
604/322

I claim the ornamental design for a disposable medicine cup
with infection control tab, as shown and described.

See application file for complete search history.

DESCRIPTION

(56) **References Cited**

U.S. PATENT DOCUMENTS

2,659,527 A 11/1953 Liebenow
2,775,382 A 12/1956 Kayat
2,868,434 A 1/1959 Jones
3,090,542 A 5/1963 Miller
D209,307 S * 11/1967 Schilling D7/523
4,244,920 A 1/1981 Manschot et al.
D258,311 S 2/1981 Peterson
4,412,644 A 11/1983 La Fever
4,685,583 A 8/1987 Noon
D328,492 S * 8/1992 Mathis D24/121
D340,768 S 10/1993 Jabour
D353,669 S * 12/1994 Jones et al. D24/122
D357,066 S * 4/1995 Jones et al. D24/122
D359,883 S * 7/1995 Suarez D7/533

FIG. 1 is a front perspective view of a new design of a
disposable medicine cup with infection control tab.

FIG. 2 is a front perspective view of the new design of a
disposable medicine cup with infection control tab, shown in
a condition of use with the tab being separated at the perfor-
ation.

FIG. 3 is a front view of disposable medicine cup with infec-
tion control tab.

FIG. 4 is a top view of the disposable medicine cup with
infection control tab.

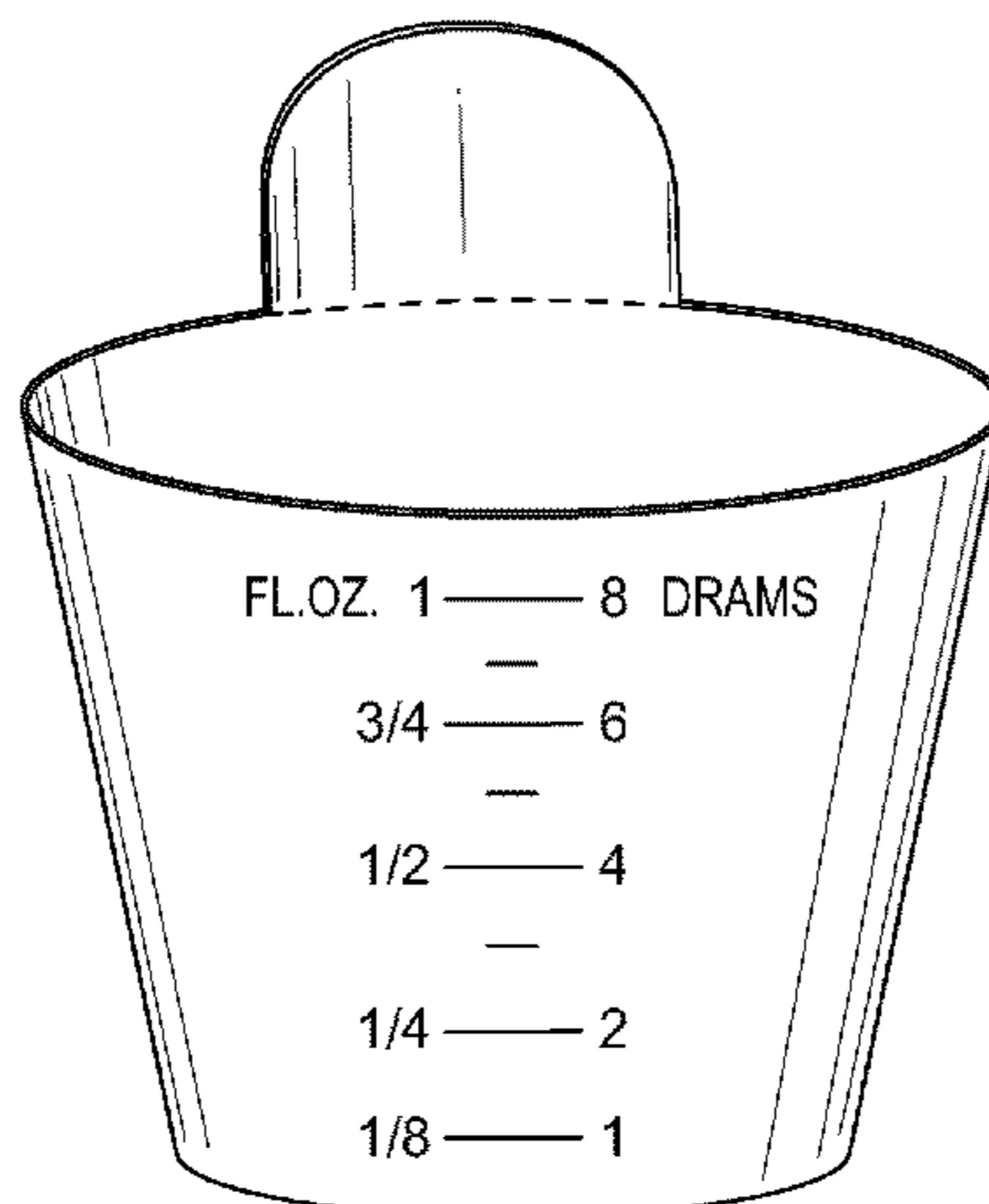
FIG. 5 is a right side view of the disposable medicine cup with
infection control tab, the left side view being identical thereto.

FIG. 6 is a bottom view of the disposable medicine cup with
infection control tab; and,

FIG. 7 is a rear view of the disposable medicine cup with
infection control tab.

The broken lines in FIGS. 1, 4, 6 & 7 depict a perforation on
the tab.

1 Claim, 4 Drawing Sheets



(56)

References Cited

U.S. PATENT DOCUMENTS

5,645,191 A * 7/1997 Neville 220/717
 5,655,805 A 8/1997 Shaddy
 D404,663 S 1/1999 Prindle
 6,022,570 A * 2/2000 Richmond 426/120
 6,126,035 A 10/2000 Schaper et al.
 D440,501 S 4/2001 Dorion et al.
 D449,419 S * 10/2001 Barrett D7/533
 6,305,033 B1 10/2001 Azzam
 6,308,859 B1 10/2001 Johnson
 6,443,325 B1 9/2002 Schaper et al.
 6,484,873 B1 * 11/2002 Pizarro 206/217
 6,485,691 B1 11/2002 Jones
 6,527,169 B2 3/2003 Kim
 D476,735 S * 7/2003 Zinnbauer D24/121
 6,616,033 B1 9/2003 Schein
 6,667,010 B2 12/2003 Kuchar
 6,719,951 B1 4/2004 Griffith
 6,799,694 B1 * 10/2004 Scott 220/763
 6,889,860 B2 5/2005 Mazzarolo
 D539,611 S * 4/2007 Wasserman et al. D7/586

D545,626 S 7/2007 Frank
 D579,557 S 10/2008 Washington
 D610,700 S * 2/2010 Khoury D24/224
 7,992,766 B2 8/2011 Seo
 8,210,392 B2 7/2012 Kang et al.
 8,381,935 B1 2/2013 Buck
 2005/0121456 A1 6/2005 Cutler et al.
 2005/0247129 A1 11/2005 Carragan
 2007/0205199 A1 * 9/2007 Wothers 220/506
 2012/0074155 A1 3/2012 Yeung

OTHER PUBLICATIONS

Alibaba.com, pp medicine cup promotion, date unknown.
 Saloojee, The Health Professional's Role in Preventing Nosocomial Infections, Postgrad Med J 2001; 77: 16-19.
 Inweregbu et al, Nosocomial Infections, Continuing Education in Anesthesia, Critical Care & Pain, vol. 5, No. 1, 2005, pp. 14-17.
 Reed et al, Infection Control and Prevention: A Review of Hospital-Acquired Infections and the Exconomic Implications; The Oschner Journal 9:27-31, Spring 2009; pp. 27-31.

* cited by examiner

FIG. 1

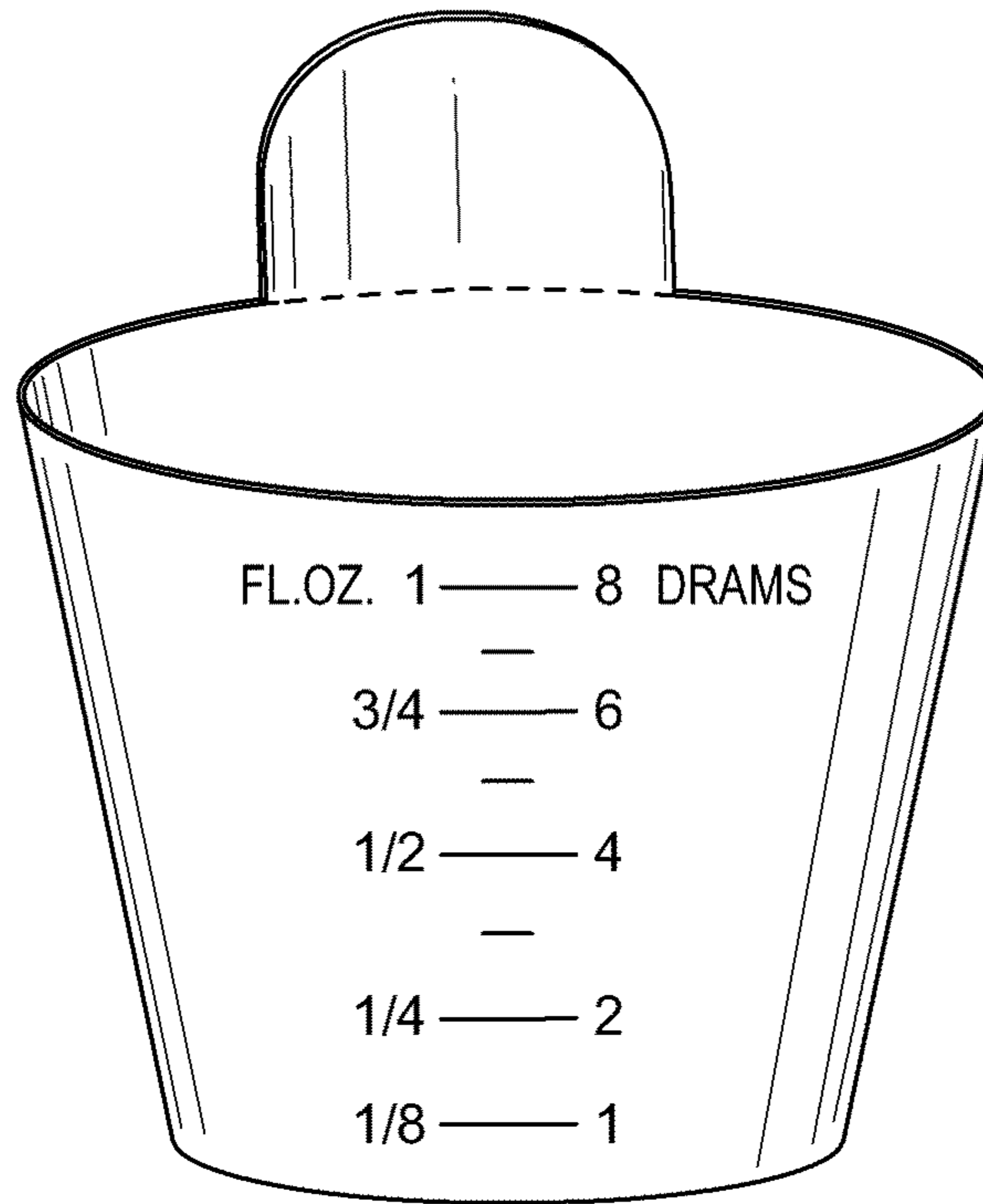


FIG. 2

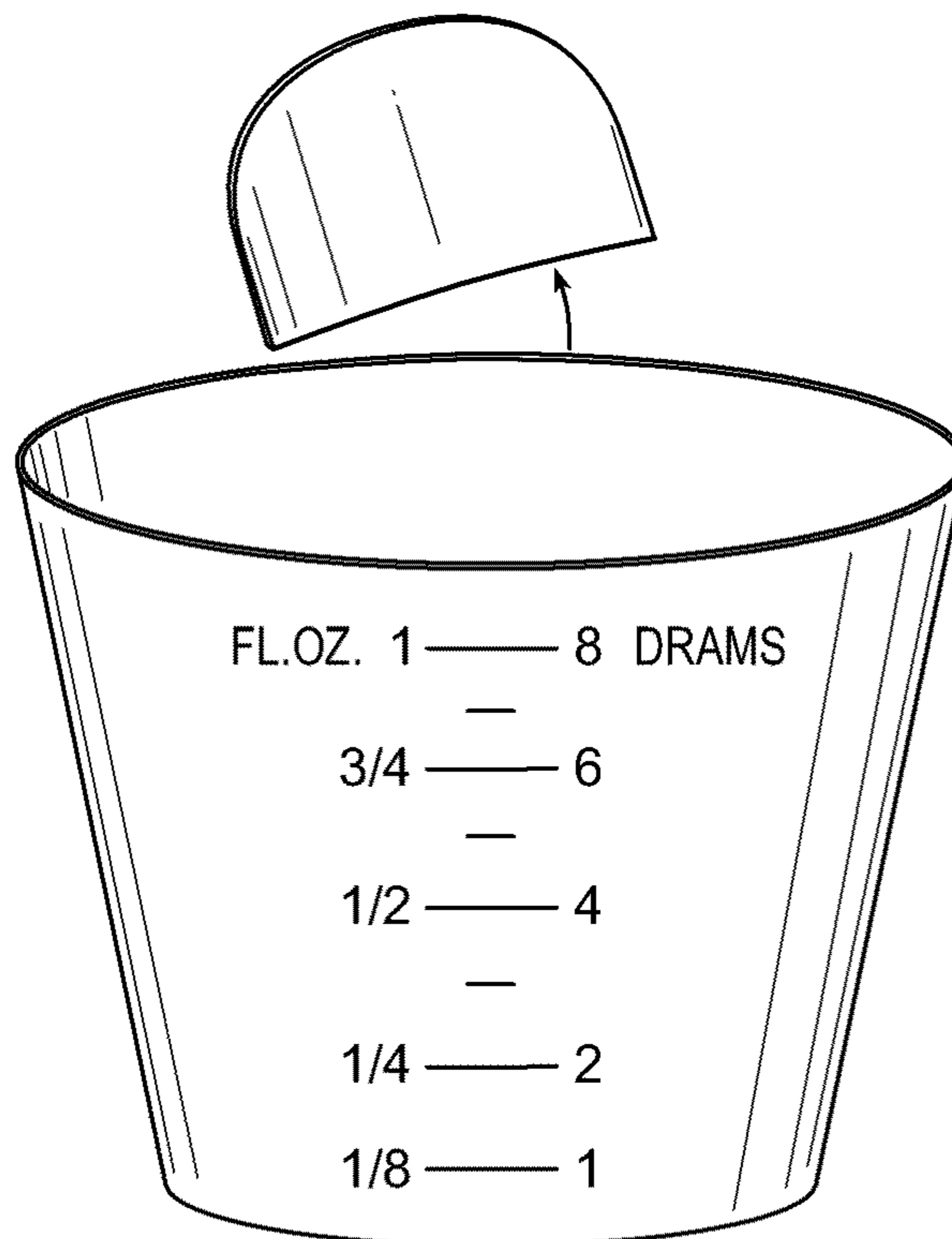


FIG. 3

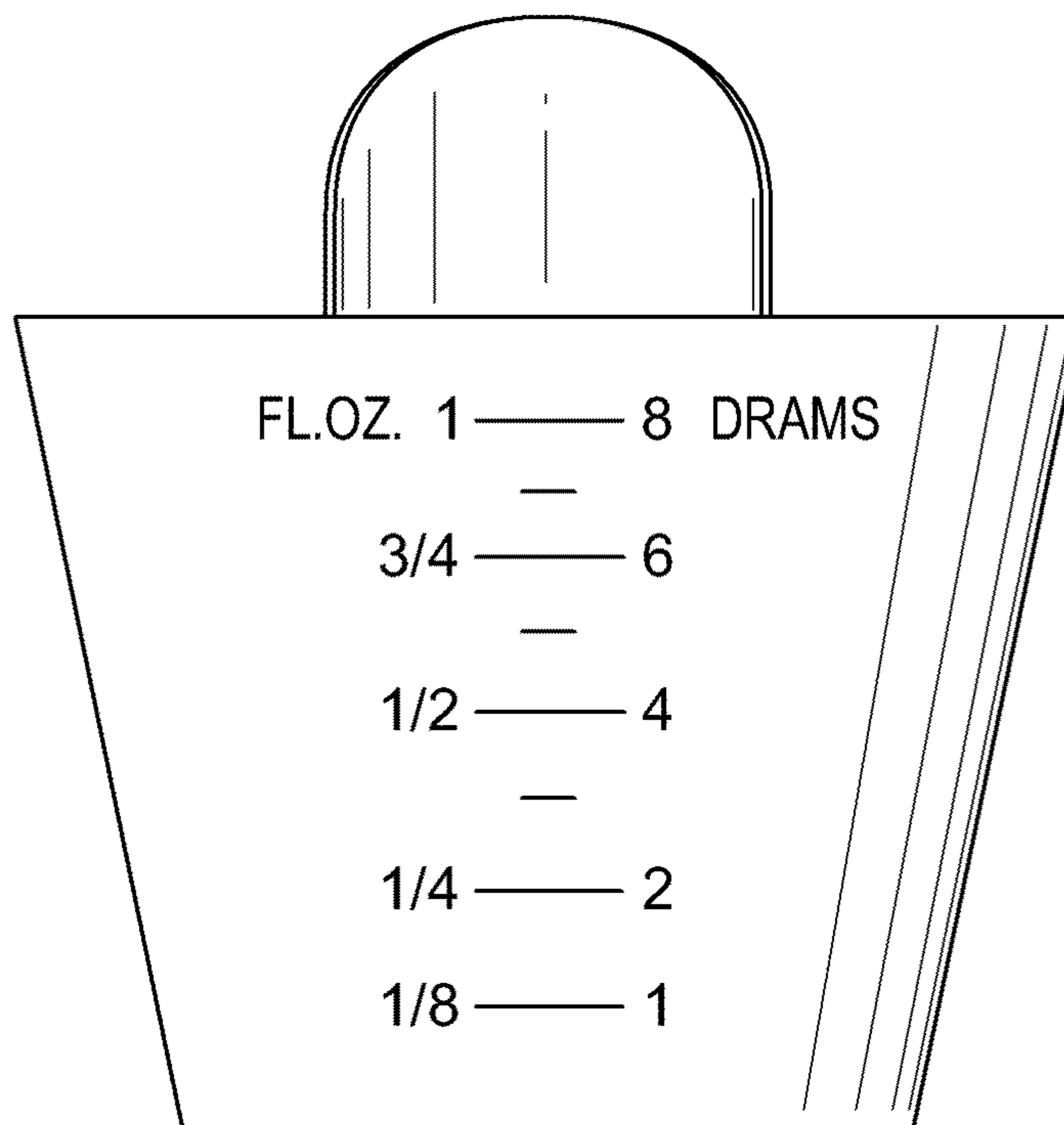


FIG. 4

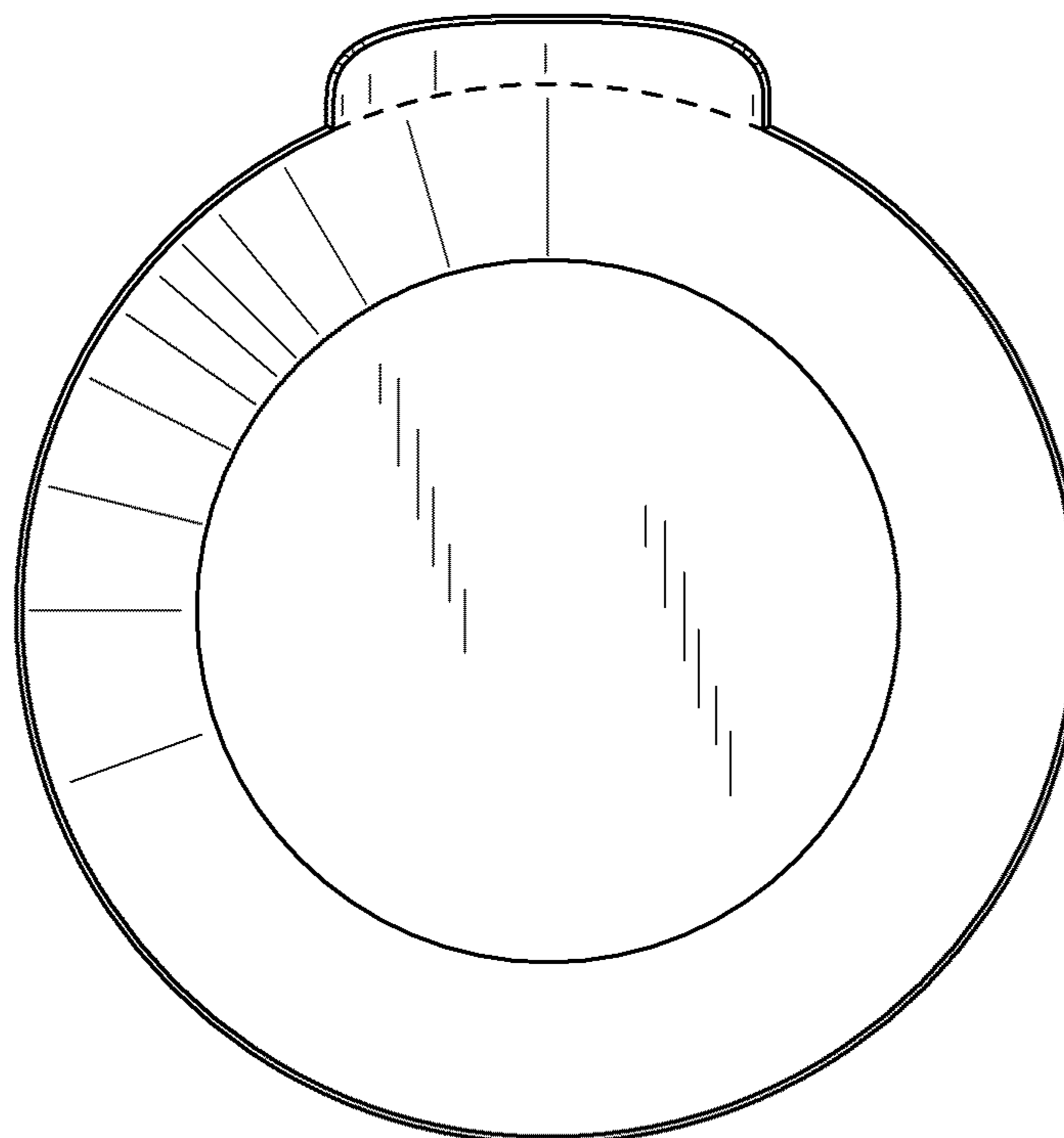


FIG. 5

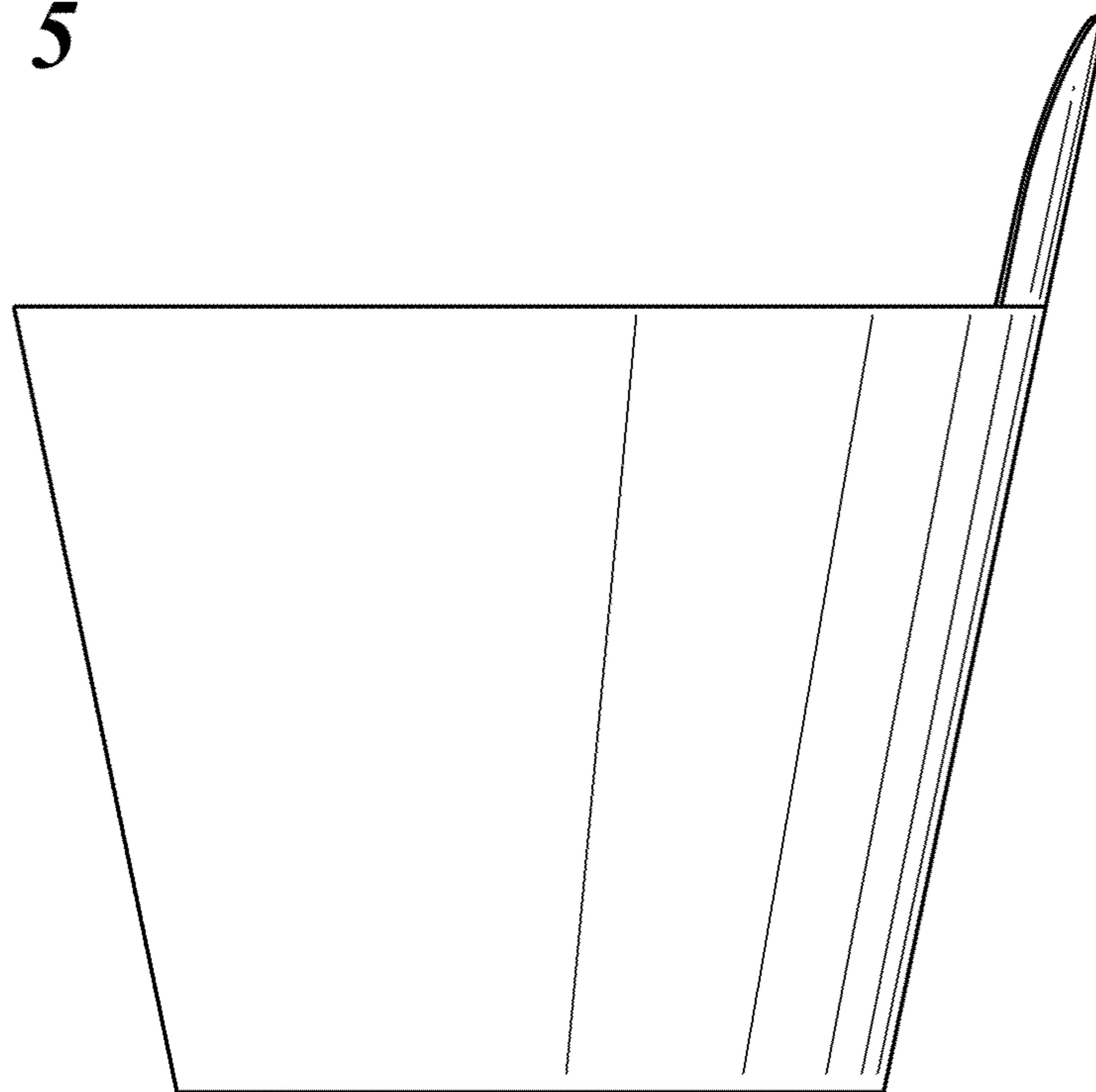


FIG. 6

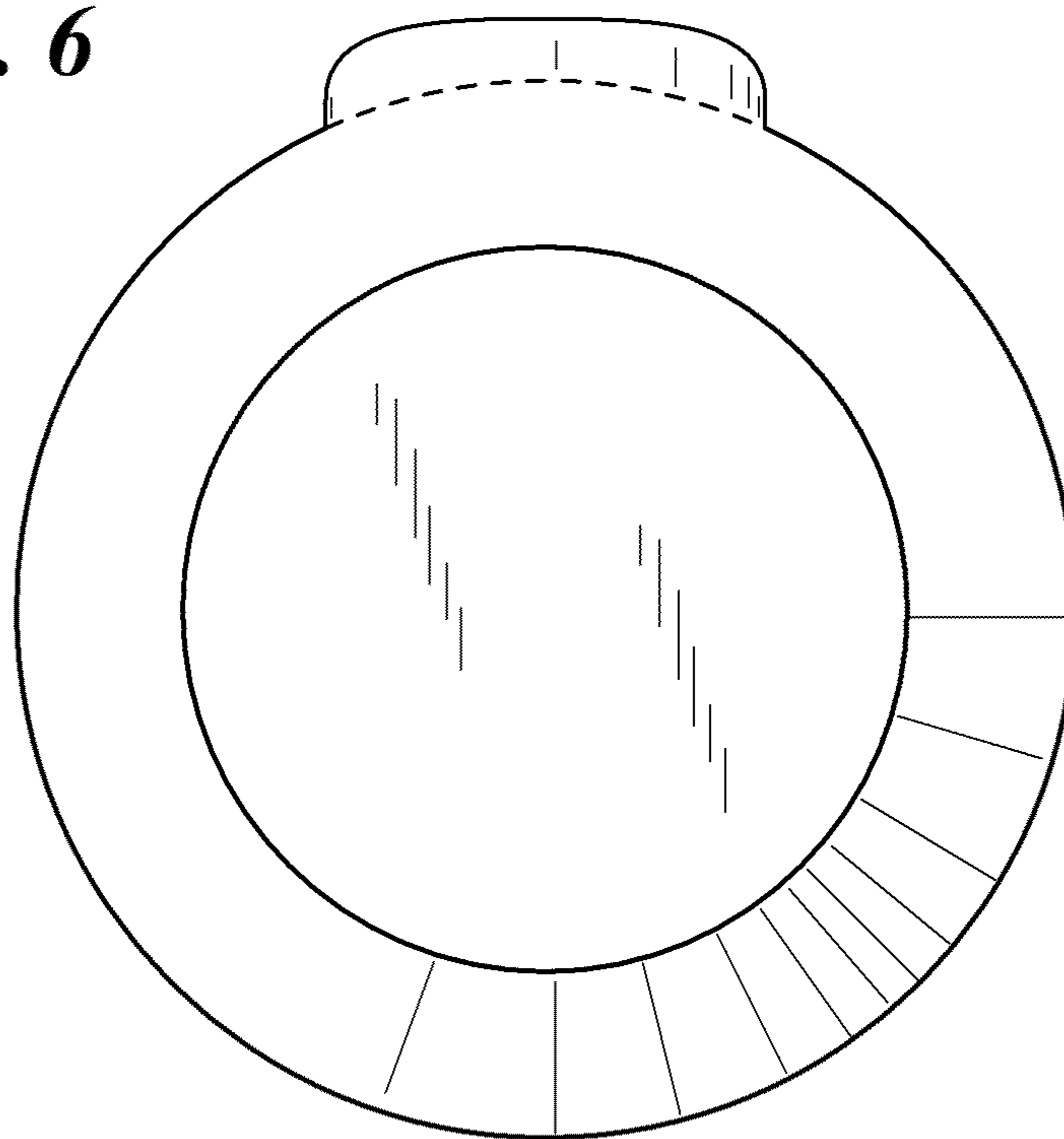


FIG. 7

