



US00D729930S

(12) **United States Design Patent**
Geert-Jensen et al.

(10) **Patent No.:** **US D729,930 S**

(45) **Date of Patent:** **** May 19, 2015**

(54) **INJECTION DEVICE**

(75) Inventors: **Anders Geert-Jensen**, Aarhus C (DK);
Emil Wegger Jensen, Aarhus C (DK)

(73) Assignee: **Novo Nordisk A/S** (DK)

(**) Term: **14 Years**

(21) Appl. No.: **29/401,214**

(22) Filed: **Sep. 8, 2011**

(30) **Foreign Application Priority Data**

Mar. 8, 2011 (EM) 001831975-0001

(51) **LOC (10) Cl.** **24-02**

(52) **U.S. Cl.**
USPC **D24/112**

(58) **Field of Classification Search**
USPC D24/112-114, 133, 186, 104, 130, 127;
606/181, 185; 604/232, 187, 158,
604/164.08, 192, 263, 163, 181, 184, 198,
604/227
See application file for complete search history.

(56) **References Cited**

U.S. PATENT DOCUMENTS

5,709,662	A *	1/1998	Olive et al.	604/187
6,004,297	A	12/1999	Steenfeldt-Jensen et al.	
D479,599	S *	9/2003	Bainton	D24/114
D479,603	S *	9/2003	Tyce	D24/114
D479,747	S *	9/2003	Bainton	D24/114
6,899,699	B2	5/2005	Enggaard	
D551,341	S *	9/2007	Galbraith	D24/114
D555,609	S *	11/2007	Galbraith	D24/114
D610,677	S *	2/2010	Tyce	D24/113
D612,486	S *	3/2010	Van der Stappen	D24/113
7,686,786	B2	3/2010	Moller et al.	
D619,702	S *	7/2010	Galbraith	D24/114
D623,732	S *	9/2010	Brady et al.	D24/113
D626,216	S *	10/2010	Tyce	D24/114

RE41,956	E	11/2010	Klitgaard et al.	
D641,077	S *	7/2011	Sanders et al.	D24/113
D652,136	S *	1/2012	Hawley et al.	D24/113

OTHER PUBLICATIONS

Designit Felxpro Design Literature, <http://designit.com/cases/pushing-our-design-into-new-territories>, downloaded from the Internet Sep. 8, 2011.

(Continued)

Primary Examiner — David Muller

(74) *Attorney, Agent, or Firm* — Saidman DesignLaw Group, LLC

(57) **CLAIM**

We claim the ornamental design for a injection device, as shown and described.

DESCRIPTION

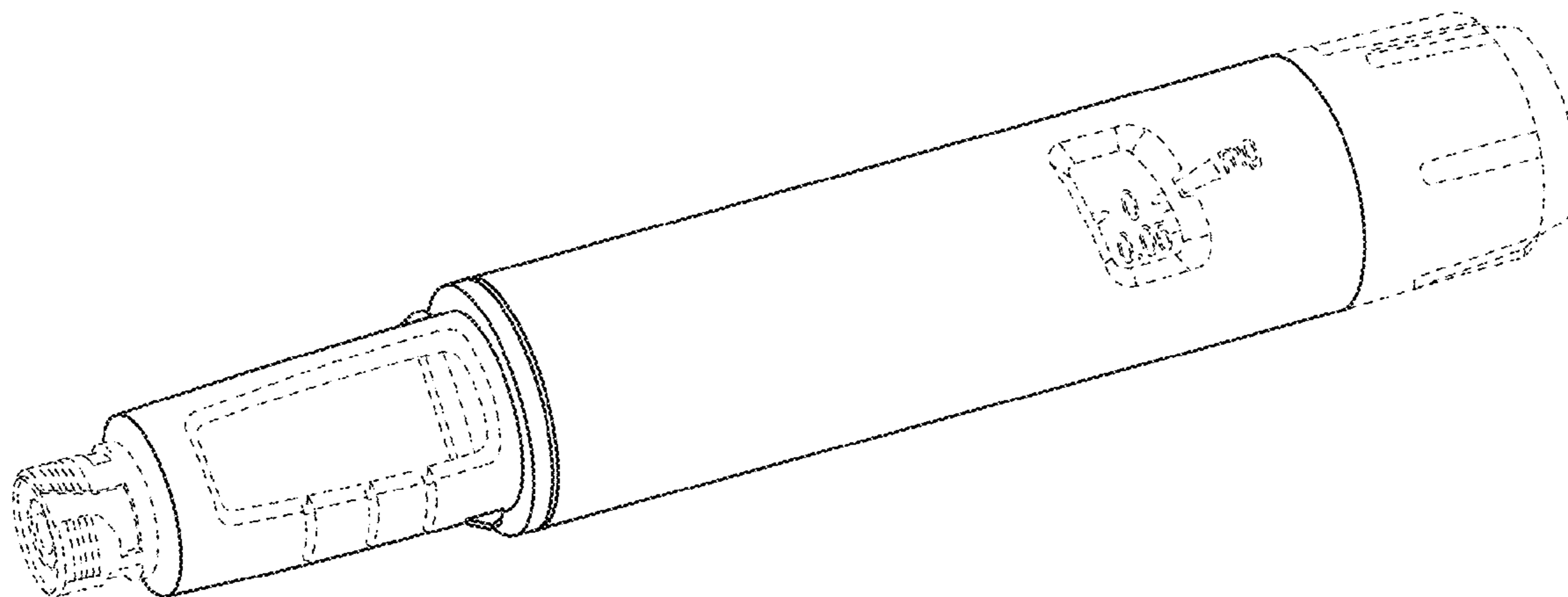
FIG. 1 is a side view of an injection device;
FIG. 2 is side view of the injection device rotated axially 90 degrees from FIG. 1;
FIG. 3 is a side view of the injection device rotated axially 180 degrees from FIG. 2;
FIG. 4 is a side view of the injection device rotated axially 180 degrees from FIG. 1;
FIG. 5 is an end view of the injection device;
FIG. 6 is an opposite end view thereof; and,
FIG. 7 is a perspective view thereof.

The broken line showing of parts of the drawings is included for the purpose of illustrating use and environment and forms no part of the claimed design.

Any broken lines shown in the drawing figures of the design of the needle mount, and of other features and contour of the article of the needle mount, is for illustrative purposes only and forms no part of the claimed design.

Any surface of the needle mount not shown, or any part of any such surface not shown, is not a part of the claimed design.

1 Claim, 3 Drawing Sheets



(56)

References Cited

OTHER PUBLICATIONS

U.S. Appl. No. 29/419,158 of Anders Geert-Jensen titled "Injection Device" filed Apr. 25, 2012, amended Jan. 13, 2014.

U.S. Appl. No. 29/419,159 of Anders Geert-Jensen titled "Injection Device" filed Apr. 25, 2012, amended Jan. 10, 2014.

* cited by examiner

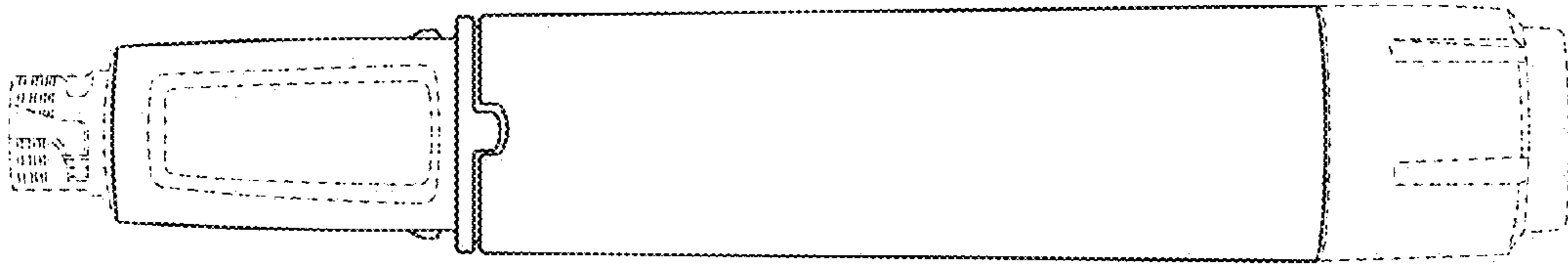


FIG. 1

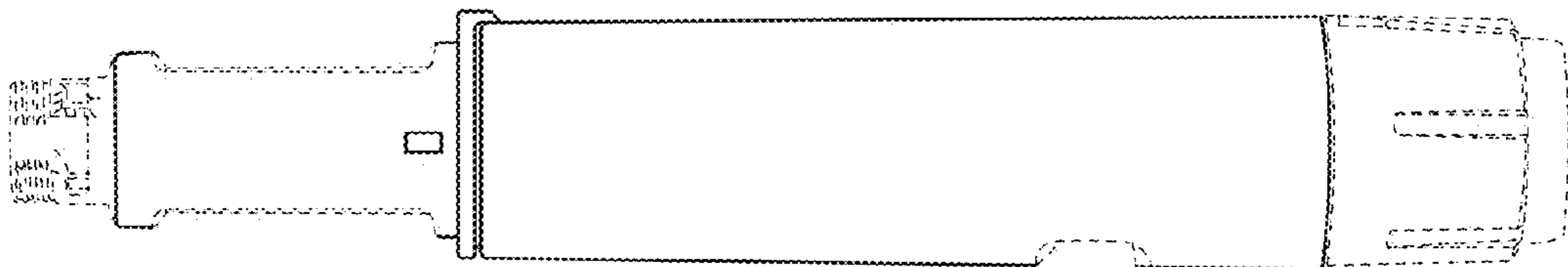


FIG. 2

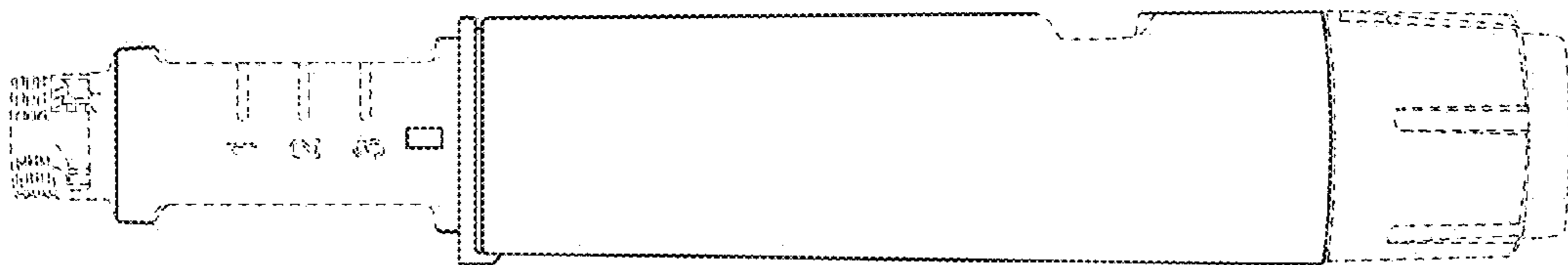


FIG. 3

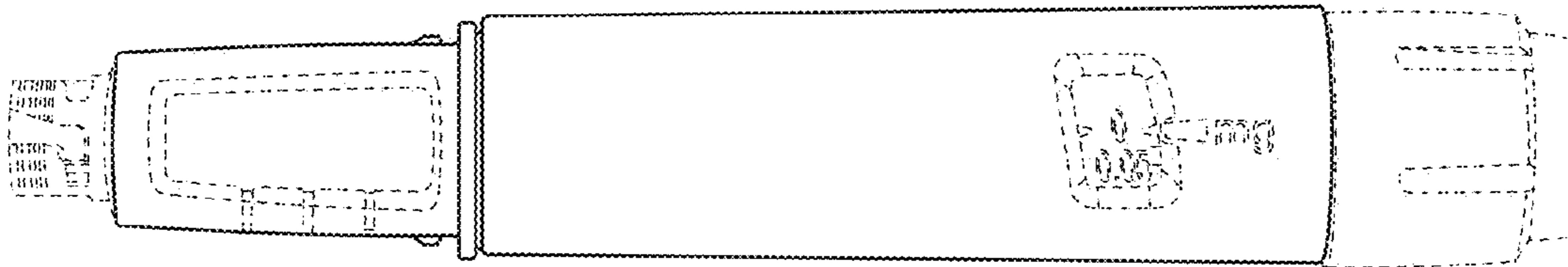


FIG. 4

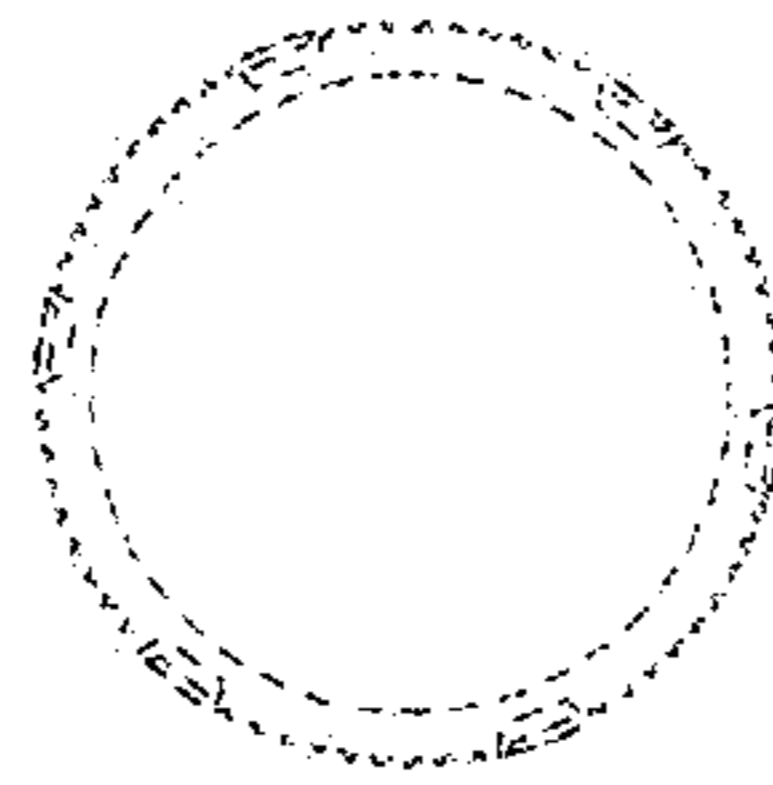


FIG. 5

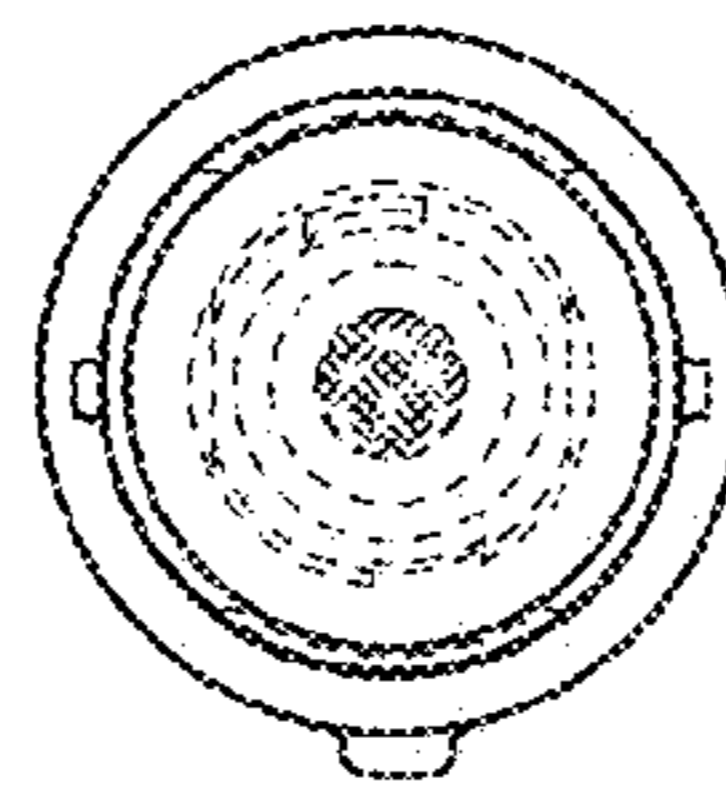


FIG. 6

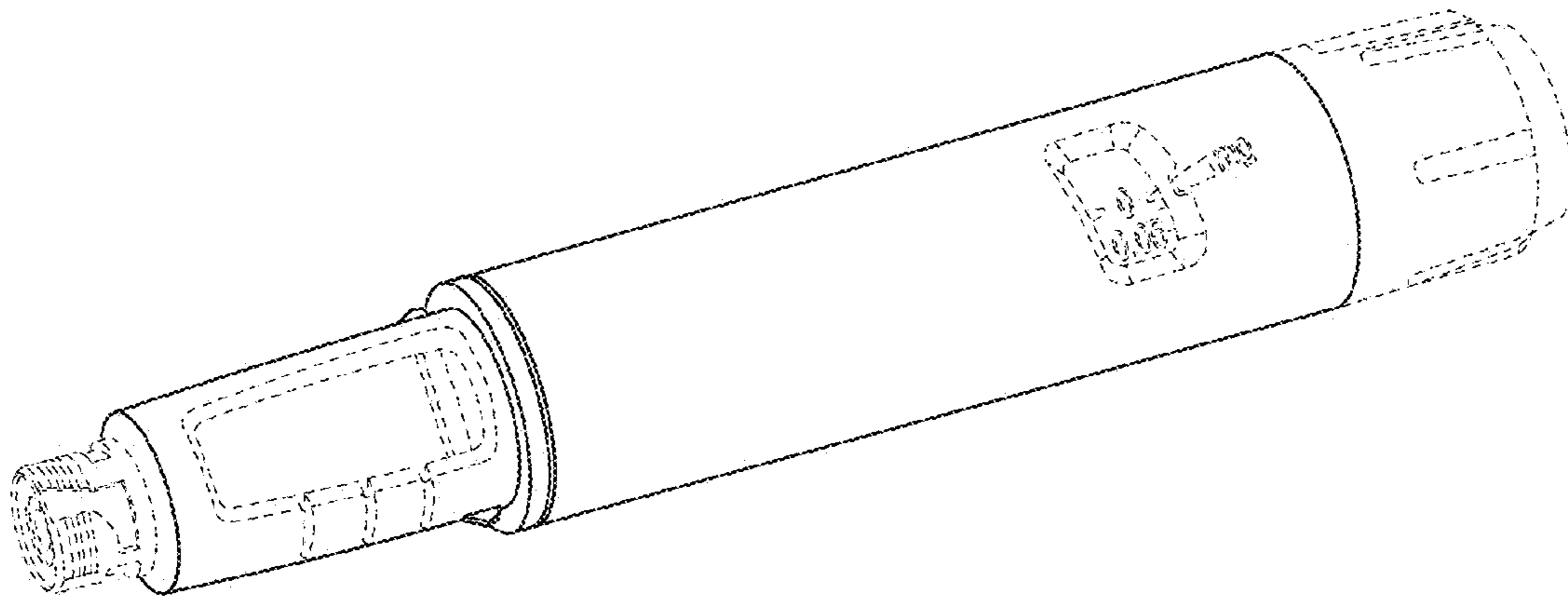


FIG. 7