



US00D729929S

(12) **United States Design Patent**
McBride et al.

(10) **Patent No.:** **US D729,929 S**

(45) **Date of Patent:** **** May 19, 2015**

(54) **COLLECTION CUP WITH A TELESCOPIC HANDLE**

(71) Applicants: **Donna S McBride**, North Wildwood, NJ (US); **Michael J McBride, Jr.**, North Wildwood, NJ (US)

(72) Inventors: **Donna S McBride**, North Wildwood, NJ (US); **Michael J McBride, Jr.**, North Wildwood, NJ (US)

(**) Term: **14 Years**

(21) Appl. No.: **29/478,668**

(22) Filed: **Jan. 7, 2014**

(51) **LOC (10) Cl.** **24-01**

(52) **U.S. Cl.**
USPC **D24/108**

(58) **Field of Classification Search**
USPC D24/108; 294/1.3–1.5, 2, 55; 600/573, 600/574; 119/161; 15/257.3; 141/344, 390, 141/391; 30/324, 327; 362/119, 120, 154
See application file for complete search history.

(56) **References Cited**

U.S. PATENT DOCUMENTS

4,236,741	A *	12/1980	Emme	294/1.5
5,442,970	A *	8/1995	Hutchins	73/864.63
6,164,710	A *	12/2000	Shibuya	294/1.5
7,128,352	B1 *	10/2006	Phippen	294/1.5
D616,618	S *	5/2010	Pearcey	D30/162
7,762,596	B1	7/2010	Gaydos et al.	
7,775,568	B2	8/2010	Scott	
8,146,967	B1 *	4/2012	Brown	294/1.5
D662,268	S *	6/2012	Pearcey	D30/162
8,469,418	B2 *	6/2013	Dougherty	294/1.5
2005/0059907	A1	3/2005	Takahashi	
2005/0187492	A1	8/2005	Geibel et al.	
2006/0157995	A1 *	7/2006	Cafferty et al.	294/1.5
2007/0046045	A1 *	3/2007	Yilmaz	294/1.4
2007/0065339	A1	3/2007	Huff	
2007/0176444	A1 *	8/2007	Pilas	294/1.5
2008/0116704	A1 *	5/2008	Botello et al.	294/1.5

2008/0199366	A1	8/2008	Masters	
2009/0045639	A1 *	2/2009	Shalhoub	294/1.5
2009/0096227	A1 *	4/2009	Pender et al.	294/1.5
2009/0124929	A1	5/2009	Rossi-Pipitone et al.	
2009/0209881	A1	8/2009	Willcocks	
2010/0174209	A1	7/2010	Fleshman	
2010/0194128	A1	8/2010	Langley	
2011/0071434	A1	3/2011	Higgins	
2011/0097250	A1	4/2011	Yong	
2011/0251573	A1	10/2011	Tung	
2012/0029452	A1	2/2012	Rodsten	
2012/0046573	A1	2/2012	Magill et al.	
2012/0103347	A1	5/2012	Wheaton et al.	
2012/0123233	A1	5/2012	Cohen	
2012/0210503	A1	8/2012	Anzivino, Sr. et al.	

(Continued)

Primary Examiner — Wan Laymon

Assistant Examiner — Mark Booker

(74) *Attorney, Agent, or Firm* — Andrew Alia, Esq.

(57) **CLAIM**

The ornamental design for a collection cup with a telescopic handle, as shown and described.

DESCRIPTION

FIG. 1 is a front, top perspective view of a first embodiment of a collection cup with a telescopic handle in an expanded position and with the cup lid closed;

FIG. 2 is a side view thereof, the opposite side being a mirror image thereof;

FIG. 3 is a front elevation view thereof;

FIG. 4 is a back elevation view thereof;

FIG. 5 is a top plan view thereof;

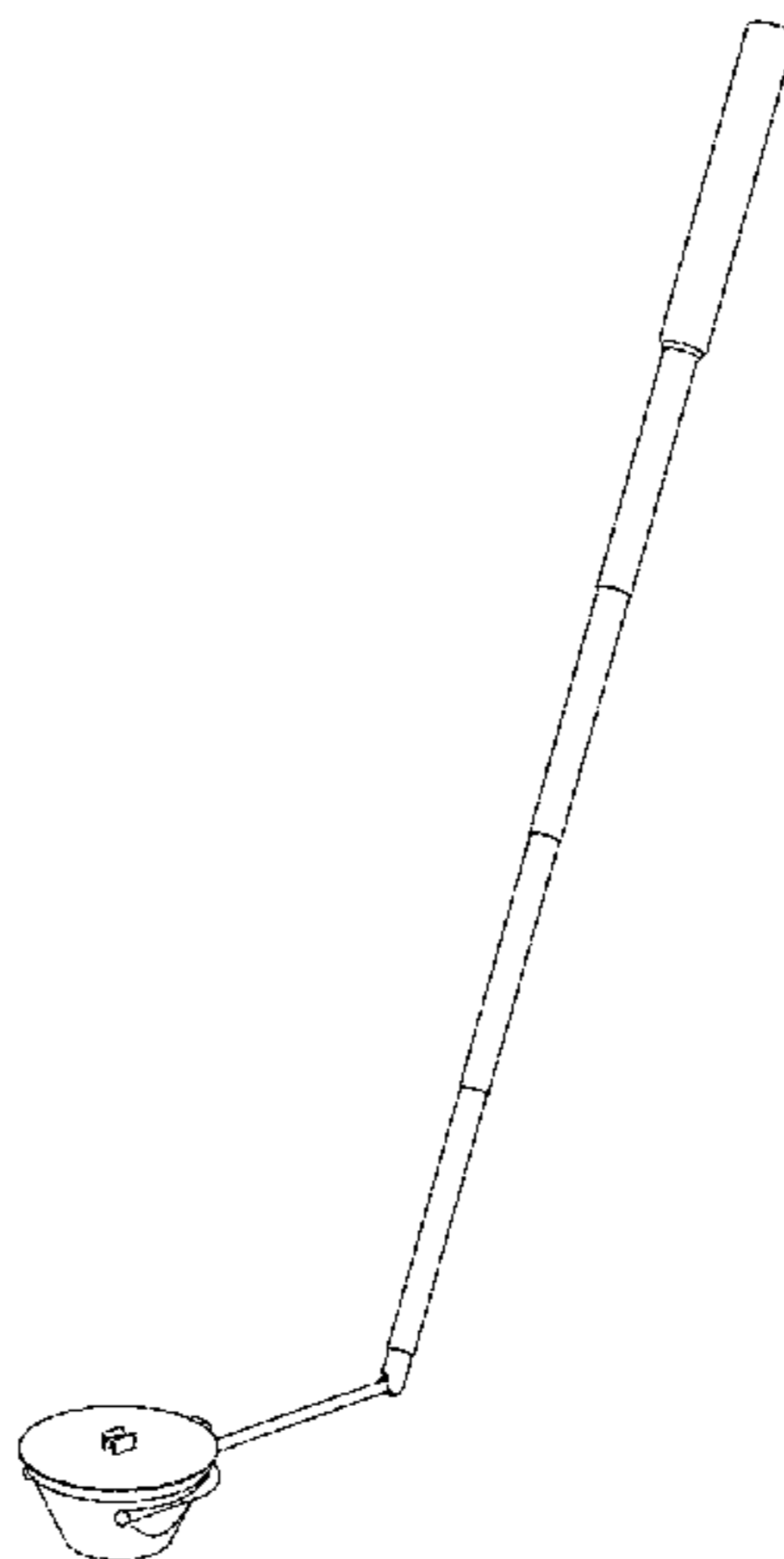
FIG. 6 is a bottom plan view thereof;

FIG. 7 is a front, top perspective view of the first embodiment in an extended position and with the cup lid opened;

FIG. 8 is a rear, bottom perspective view of the first embodiment in an extended position and with the cup lid opened; and,

FIG. 9 is a front, top perspective view of a collection cup with a telescopic handle in a retracted position and with the cup lid closed.

1 Claim, 9 Drawing Sheets



(56)

References Cited

U.S. PATENT DOCUMENTS

2012/0296292	A1	11/2012	Dunlop	2013/0018346	A1	1/2013	Huckfeldt et al.
2012/0316522	A1	12/2012	Carter et al.	2013/0031030	A1	1/2013	Carbo et al.
2013/0009412	A1*	1/2013	Powell	2013/0053729	A1	2/2013	Stevic-Wages et al.
			294/1.5	2013/0053829	A1	2/2013	House

* cited by examiner

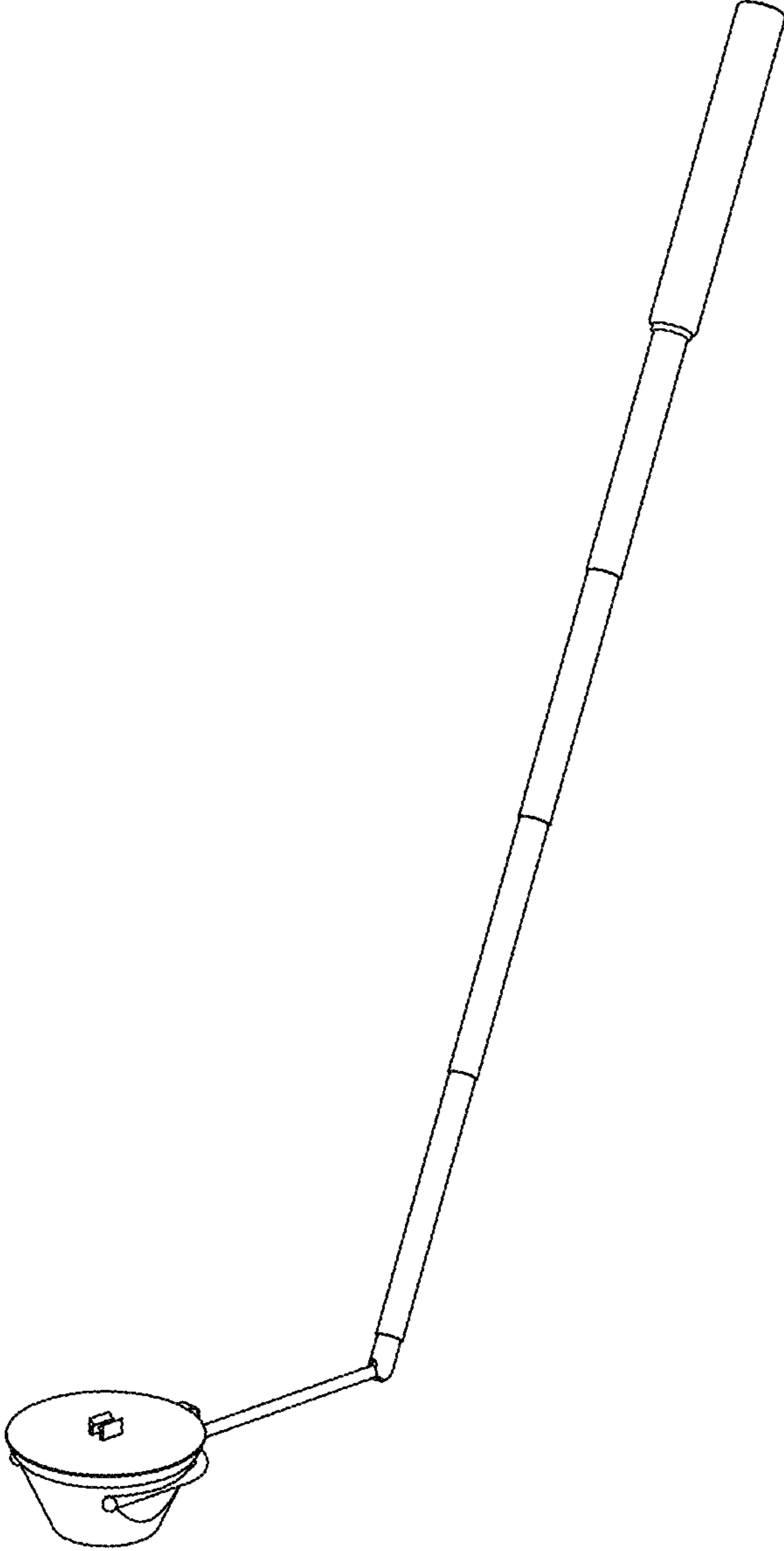


FIG. 1

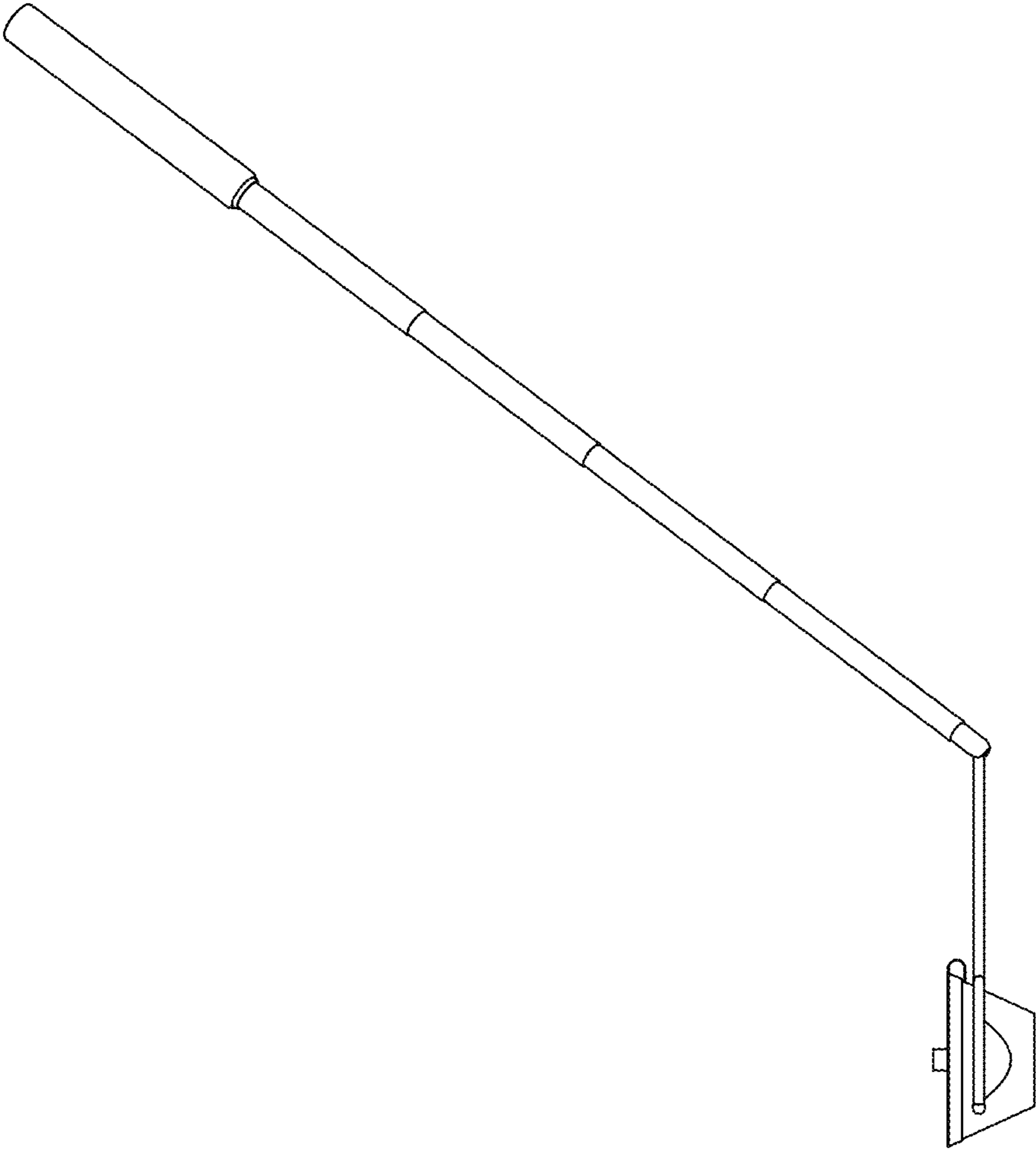


FIG. 2

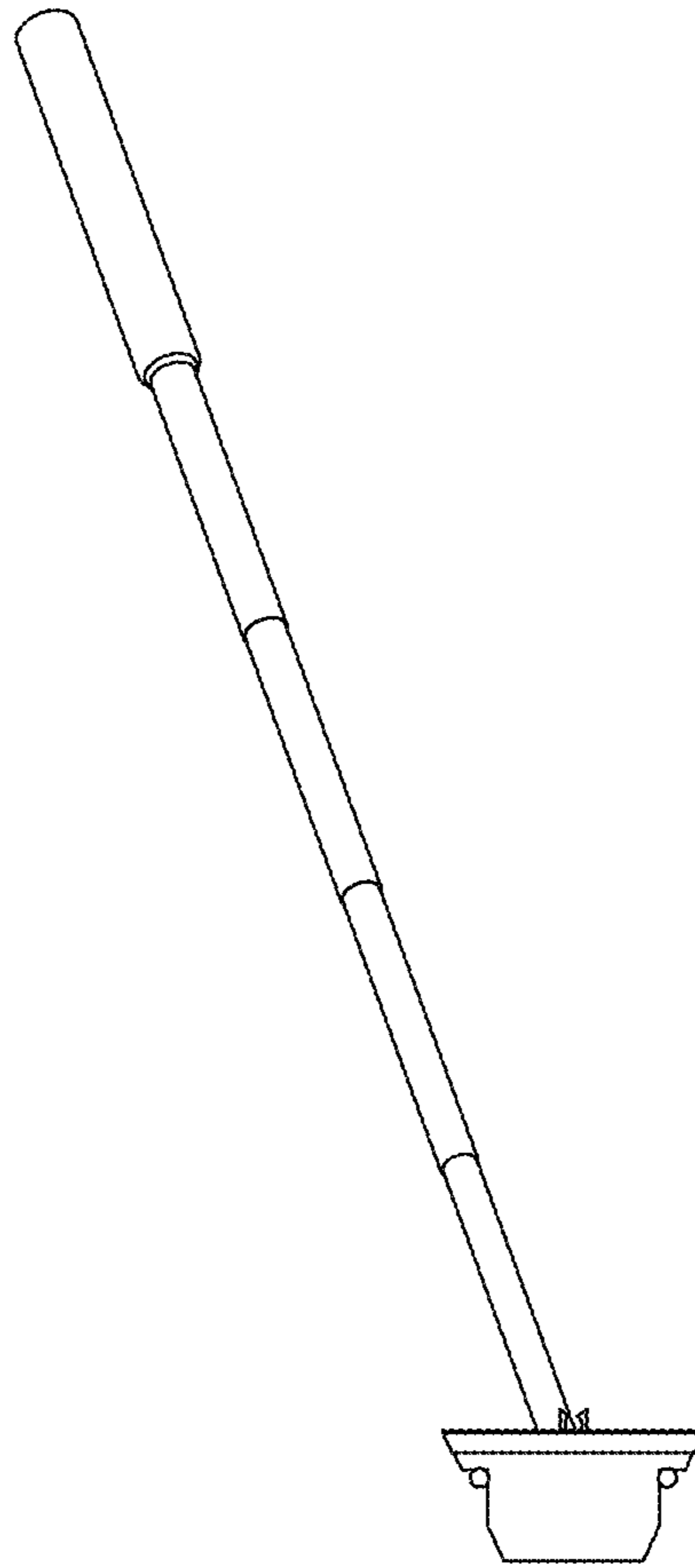


FIG. 3

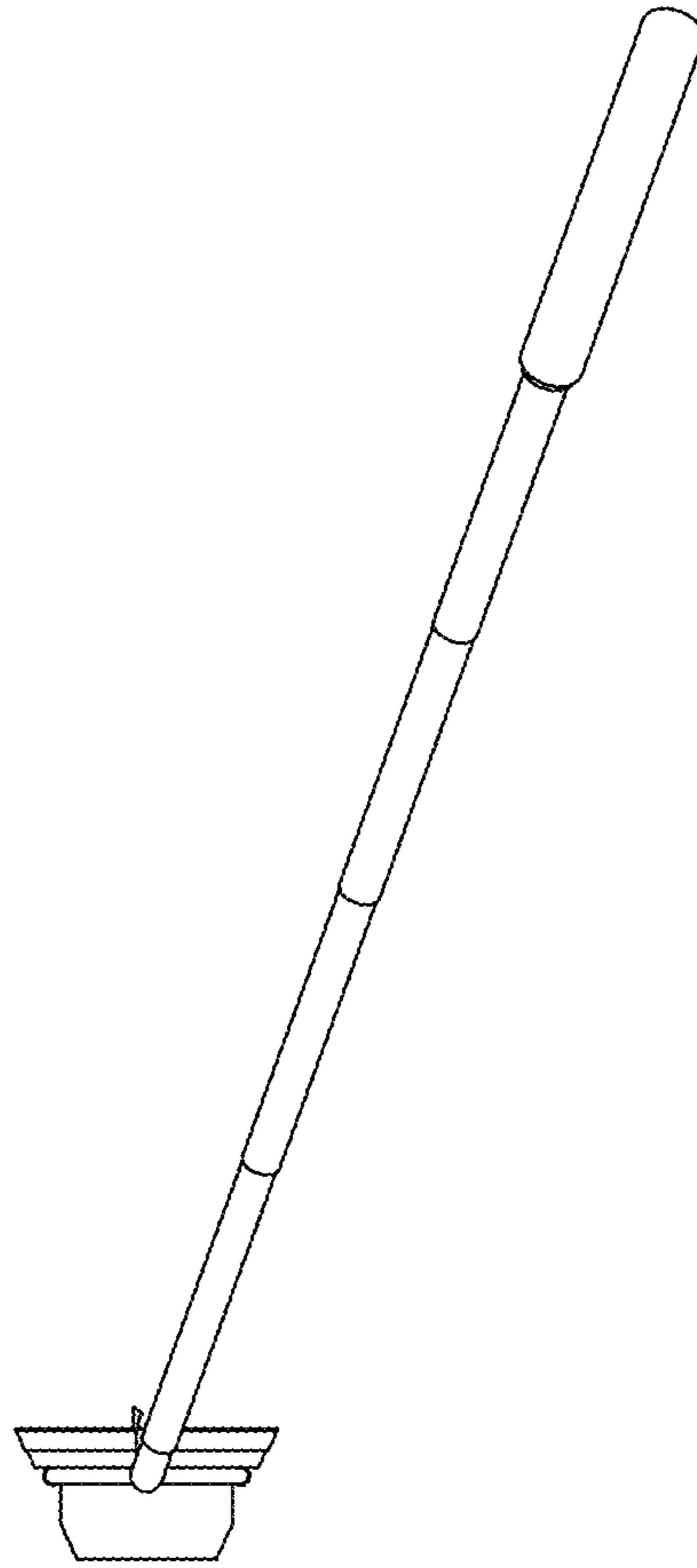


FIG. 4

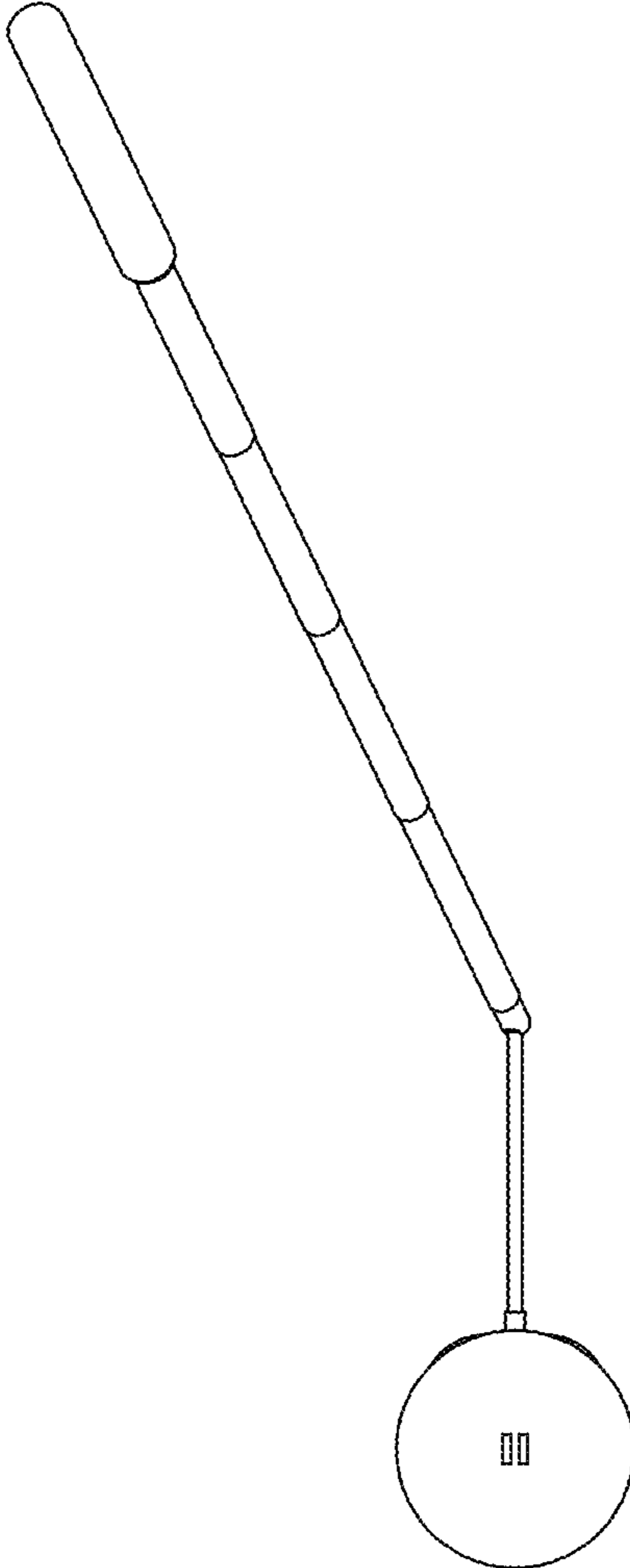


FIG. 5

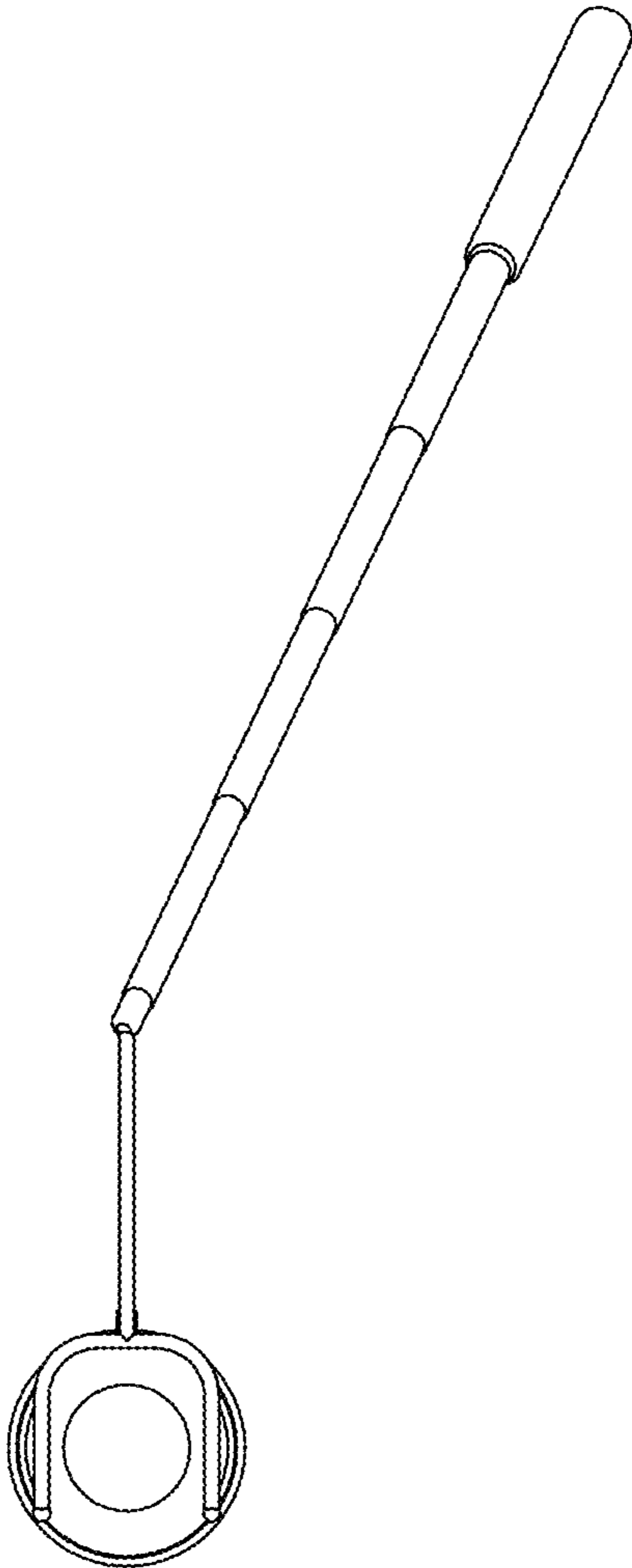


FIG. 6

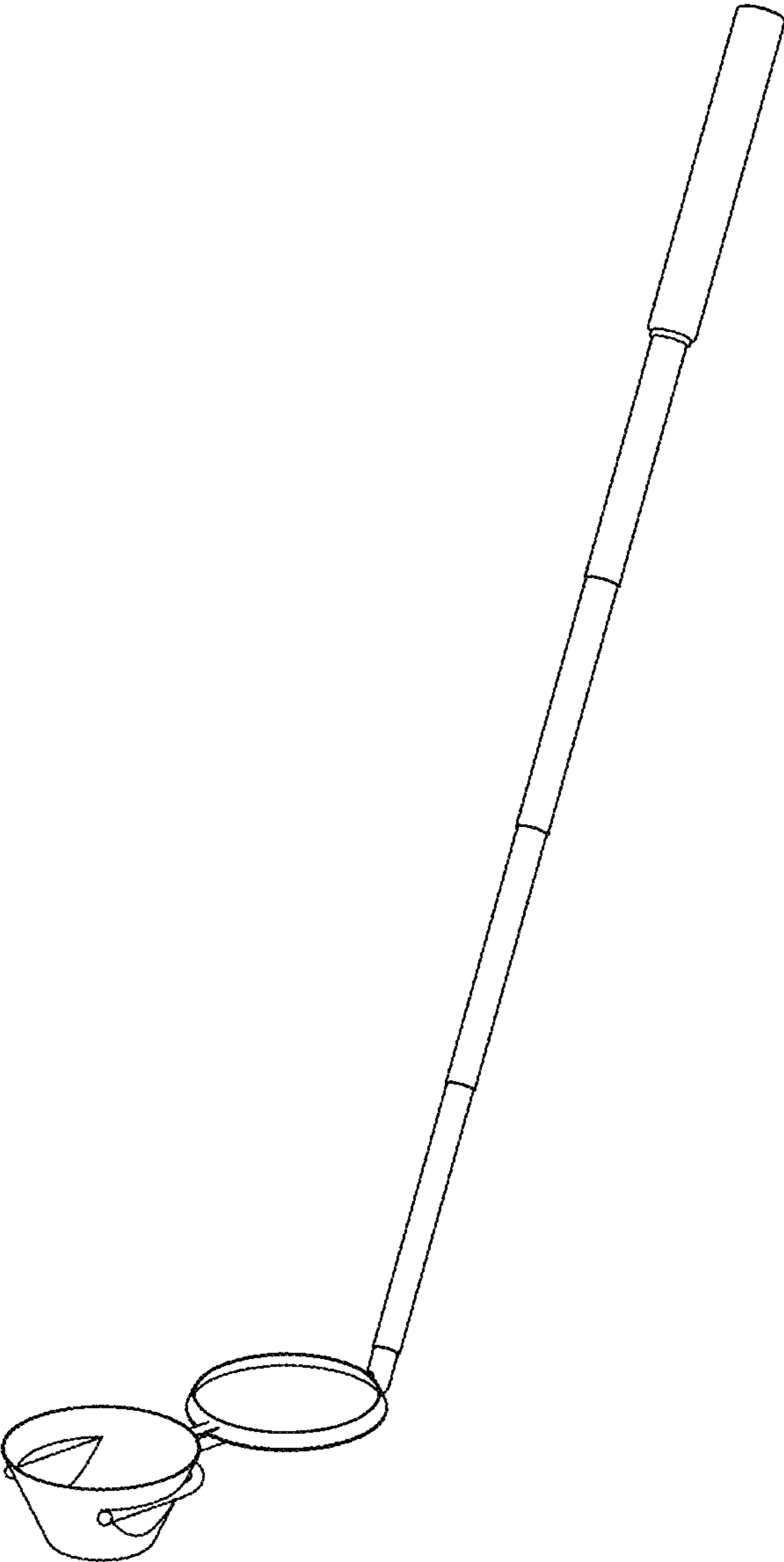


FIG. 7

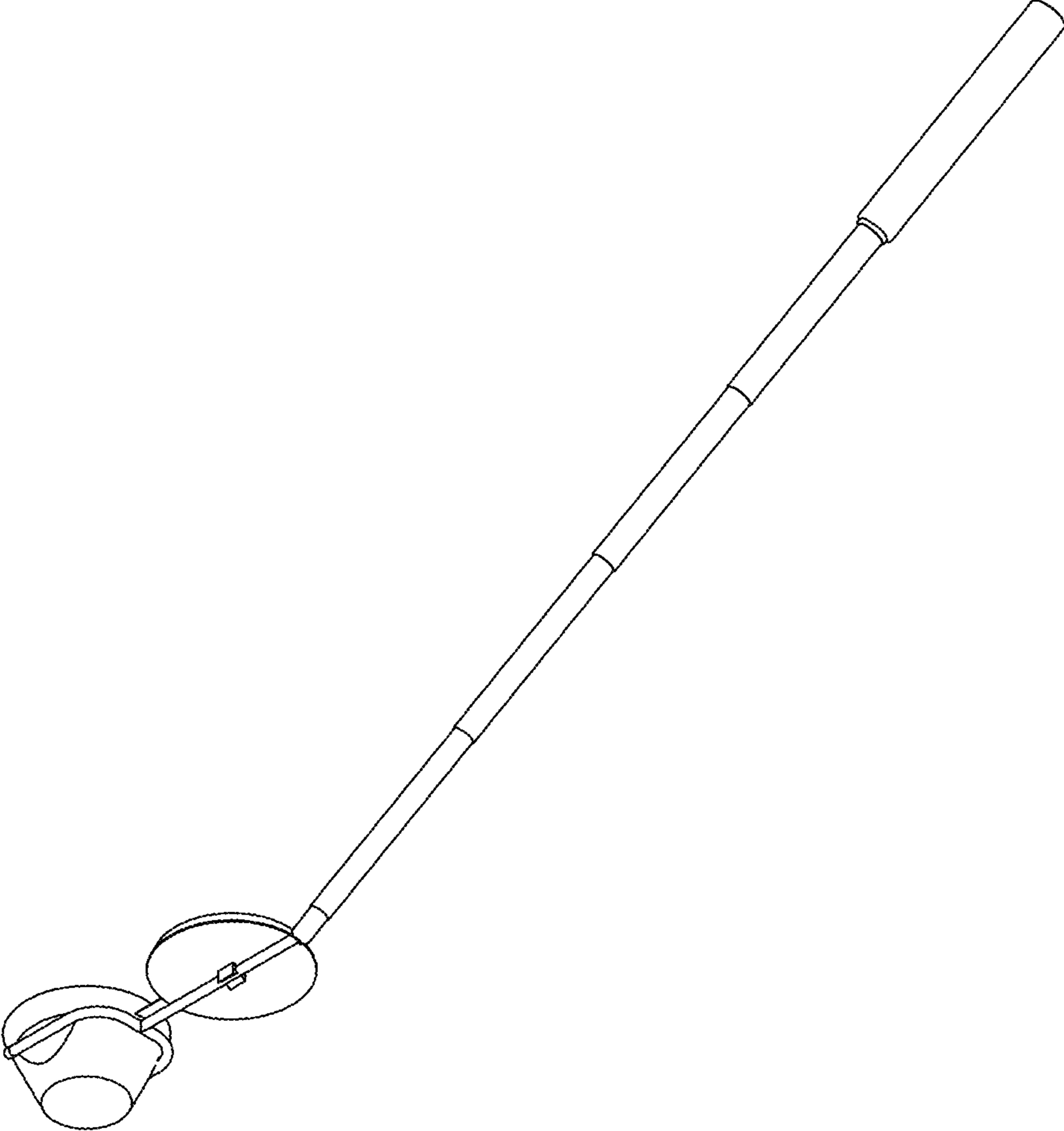


FIG. 8

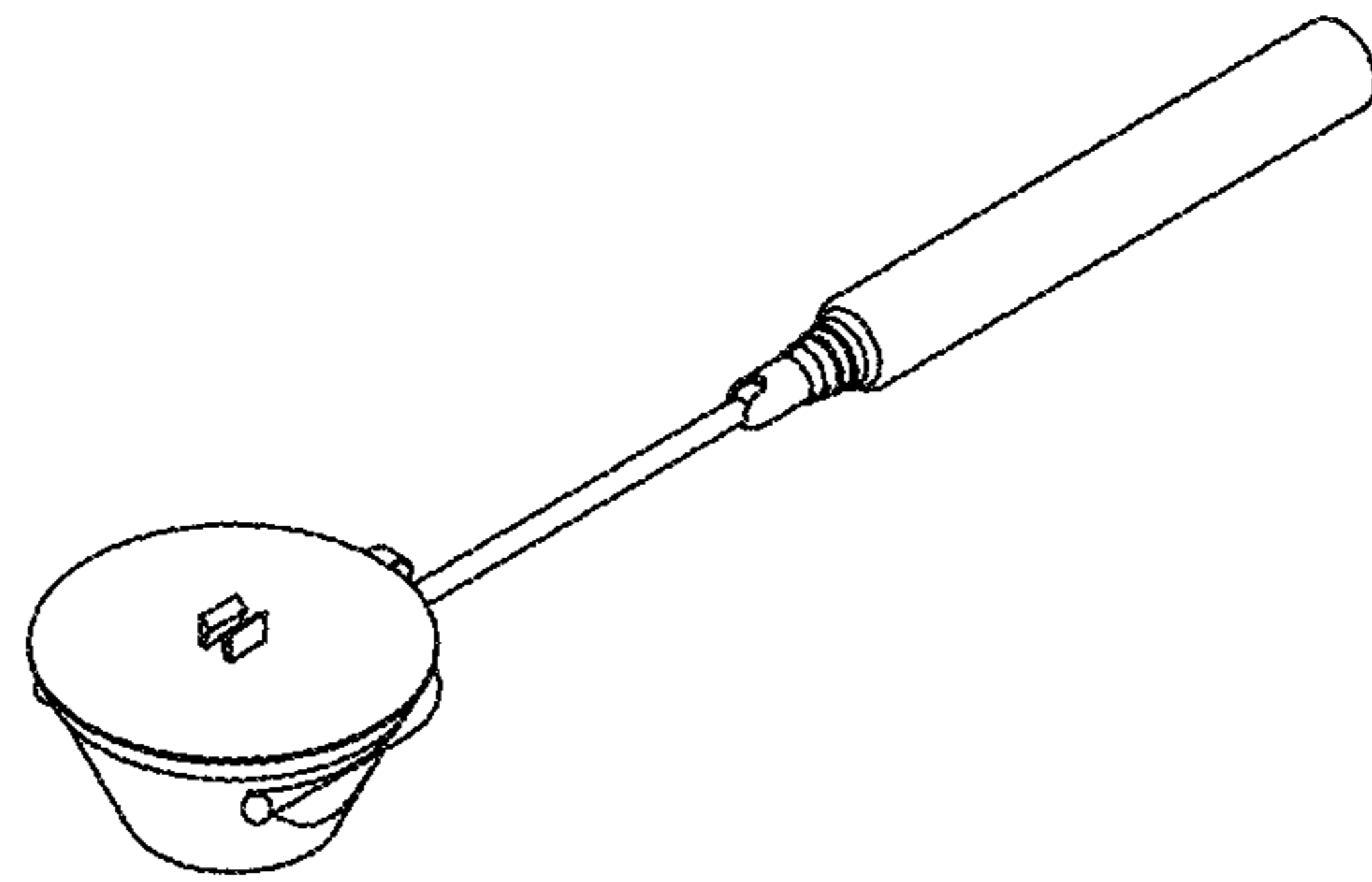


FIG. 9