



US00D729927S

(12) **United States Design Patent**
Fiser

(10) **Patent No.:** **US D729,927 S**
(45) **Date of Patent:** **** May 19, 2015**

(54) **INTAKE VENT**

(71) Applicant: **Lomanco, Inc.**, Jacksonville, AR (US)

(72) Inventor: **Jake D. Fiser**, Jacksonville, AR (US)

(**) Term: **14 Years**

(21) Appl. No.: **29/443,672**

(22) Filed: **Jan. 21, 2013**

(51) **LOC (10) Cl.** **23-04**

(52) **U.S. Cl.**
USPC **D23/393**

(58) **Field of Classification Search**

USPC D23/385–395, 397, 370–373, 365, 351,
D23/354, 399–403, 421, 499; 454/309,
454/275–277, 284, 287–291, 358–363,
454/364–368, 250–253, 242; 52/302.1,
52/32.07, 198, 199, 57; 285/229, 189,
285/183, 123.1, 15, 114, 110, 424, 197;
165/59

See application file for complete search history.

(56) **References Cited**

U.S. PATENT DOCUMENTS

2,470,201	A	5/1949	Werner
2,551,223	A	5/1951	Thiebaut
2,551,965	A	5/1951	Ciampolini et al.
3,073,235	A	1/1963	Randall et al.
D203,484	S	1/1966	Rousey et el.
3,311,047	A	3/1967	Randall et al.
3,625,134	A	12/1971	Smith
4,000,688	A	1/1977	Kiermeiser
4,090,435	A	5/1978	Vallee

(Continued)

FOREIGN PATENT DOCUMENTS

AU	2012200940	A1	9/2013
CA	2265384	A1	9/2000

(Continued)

OTHER PUBLICATIONS

Owens Corning Roofing: VentSure InFlow Vent, Item # 1102655.

(Continued)

Primary Examiner — David Muller

(74) *Attorney, Agent, or Firm* — Joe D. Calhoun

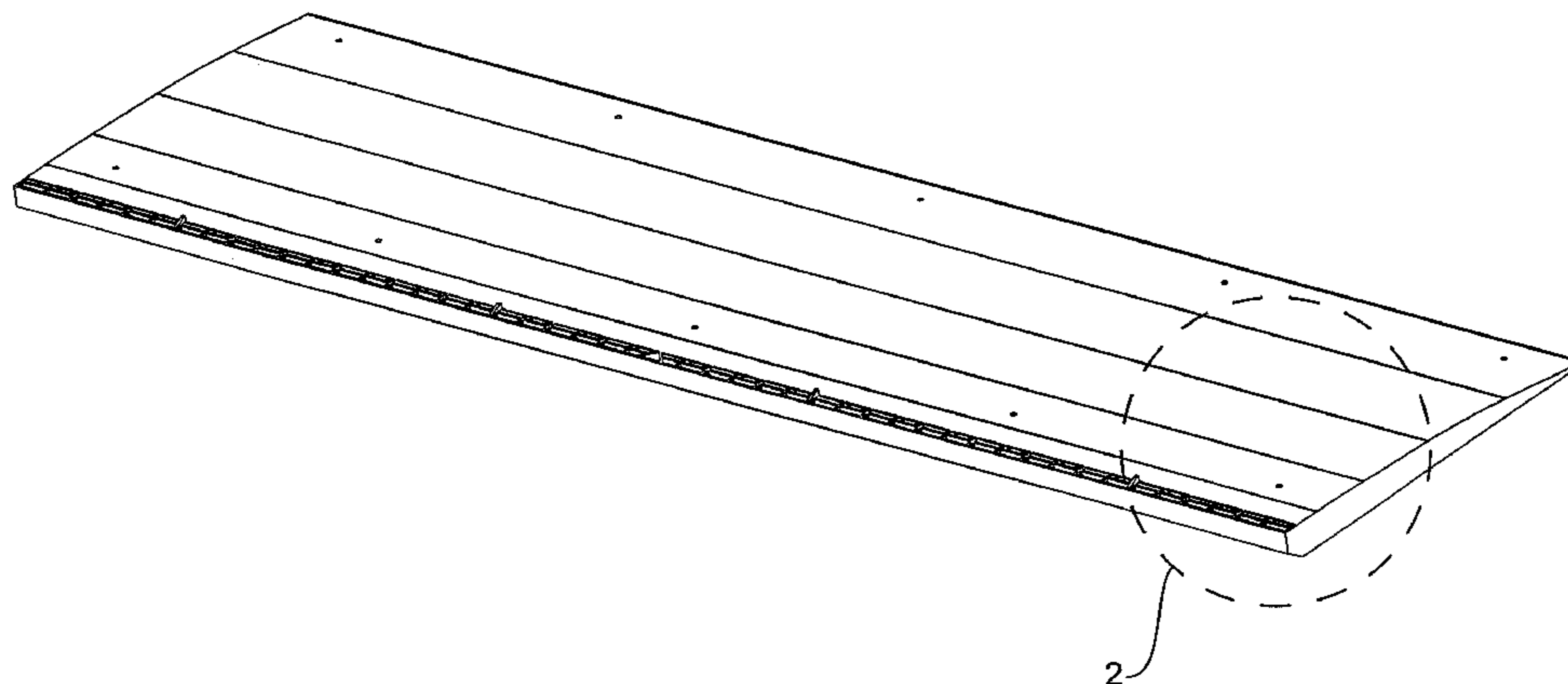
(57) **CLAIM**

The ornamental design for an intake vent, as shown and described.

DESCRIPTION

FIG. 1 depicts a perspective view of an intake vent.
 FIG. 2 depicts a close-up top perspective view of a segment of the intake vent of FIG. 1 thereof.
 FIG. 3 depicts a bottom perspective view of FIG. 1 thereof.
 FIG. 4 depicts a close-up bottom perspective view of a segment of the intake vent thereof.
 FIG. 5 depicts a top plan view thereof.
 FIG. 6 depicts a close-up top plan view of a segment of the intake vent thereof.
 FIG. 7 depicts a bottom plan view thereof.
 FIG. 8 depicts a close-up bottom plan view of a segment of the intake vent thereof.
 FIG. 9 depicts a left side elevation view thereof, with a right side elevation view being a mirror image of the left side elevation view.
 FIG. 10 depicts a close-up side elevation view of a segment of the intake vent thereof.
 FIG. 11 depicts a front elevation view thereof.
 FIG. 12 depicts a close-up front elevation view of a segment of the intake vent thereof.
 FIG. 13 depicts a rear elevation view thereof; and,
 FIG. 14 depicts a close-up rear elevation view of a segment of the intake vent thereof.
 The broken lines showing circle around segments of the intake vent is for illustrative purposes, and form no part of the claimed design.

1 Claim, 14 Drawing Sheets



(56)

References Cited

U.S. PATENT DOCUMENTS

4,109,433 A 8/1978 Maze
 4,138,935 A 2/1979 Vallee
 D256,047 S 7/1980 Wormington
 4,326,290 A 4/1982 Wolfert
 4,643,080 A 2/1987 Trostle et al.
 4,676,147 A 6/1987 Mankowski
 4,817,506 A 4/1989 Cashman
 4,903,445 A 2/1990 Mankowski
 4,907,499 A 3/1990 James
 4,924,761 A 5/1990 MacLeod et al.
 4,962,692 A 10/1990 Shuert
 5,070,771 A 12/1991 Mankowski
 5,095,810 A 3/1992 Robinson
 5,112,278 A 5/1992 Roberts
 5,149,301 A 9/1992 Gates
 D342,129 S * 12/1993 Goetz, Jr. D23/387
 5,458,538 A 10/1995 MacLeod et al.
 5,549,513 A * 8/1996 Thomas et al. 454/365
 5,561,952 A * 10/1996 Damron 52/198
 5,591,080 A 1/1997 Ward
 5,630,752 A * 5/1997 Gubash 454/366
 5,772,502 A 6/1998 Smith
 5,832,677 A * 11/1998 Kurttila 52/95
 6,128,869 A 10/2000 Brotherton et al.
 6,129,628 A * 10/2000 O'Hagin et al. 454/366
 6,212,833 B1 4/2001 Henderson
 D442,273 S * 5/2001 Pestell D23/393
 6,233,887 B1 5/2001 Smith
 6,277,024 B1 8/2001 Coulton
 D448,468 S 9/2001 Koessler
 6,283,852 B1 9/2001 Igo
 6,293,862 B1 9/2001 Jafine et al.
 6,361,434 B1 3/2002 Brandon
 6,371,847 B2 4/2002 Headrick
 6,418,892 B1 7/2002 Freshwater et al.
 6,482,084 B2 11/2002 Hansen
 6,491,581 B1 12/2002 Mankowski
 6,599,184 B2 7/2003 Morris
 6,684,581 B2 2/2004 Robinson et al.
 6,733,361 B1 5/2004 Ploeger
 6,793,574 B1 9/2004 Robinson
 6,881,144 B2 4/2005 Hansen et al.
 D511,847 S 11/2005 Ciepliski
 D511,848 S 11/2005 Ciepliski
 7,024,828 B2 4/2006 Headrick
 7,044,852 B2 * 5/2006 Horton 454/365
 7,219,473 B2 5/2007 Mantyla et al.
 D549,316 S * 8/2007 O'Hagin et al. D23/393
 D555,237 S * 11/2007 O'Hagin D23/393
 D565,719 S * 4/2008 Cheng D23/372
 D574,947 S 8/2008 Grisham et al.
 D602,579 S * 10/2009 Stone D23/373
 7,662,037 B2 2/2010 Polston
 D618,780 S 6/2010 Williams, Sr.
 7,766,735 B2 * 8/2010 Ciepliski et al. 454/365
 7,856,764 B2 12/2010 Kortuem et al.
 8,069,621 B2 12/2011 Mantyla et al.
 8,157,628 B2 4/2012 Villeta et al.
 D710,985 S 8/2014 Gassman et al.
 2001/0019941 A1 9/2001 Headrick
 2002/0016150 A1 2/2002 Hansen
 2002/0078651 A1 6/2002 Freshwater et al.
 2002/0100232 A1 8/2002 Robinson et al.
 2004/0088928 A1 5/2004 Headrick et al.
 2006/0079173 A1 4/2006 Coulton et al.
 2007/0049190 A1 3/2007 Singh
 2008/0287054 A1 11/2008 Carlson et al.
 2009/0113823 A1 5/2009 Osborne
 2014/0099877 A1 4/2014 Gassman et al.

FOREIGN PATENT DOCUMENTS

DE 93 08 401 U1 12/1993
 EP 0 396066 B1 4/1990

GB 2 199 860 A 7/1988
 GB 2 290 568 B 1/1996
 GB 2 335 666 9/1999
 WO WO 2007/137096 A2 11/2007

OTHER PUBLICATIONS

Trimline Building Products, Off-Peak Vent Installation Instructions, www.trimline-products.com, 2006.
 DCI Products, Inc., SmartVent Off-Peak Application, www.dciproducts.com, 2005.
 DCI Products, Inc., SmartVent Off-Peak Application, www.dciproducts.com, 2006.
 Ridgeline Incorporated, Ridgeline Ridge Vent Systems—Install a Ridgeline Ridge Vent and You'll Breathe a Lot Easier, 1998.
 Ridgeline Incorporated, Ridgeline Product Guide, 1998.
 Air Vent, Inc., Air Vent Inc. ShingleVent II—The Balanced System for Attic Ventilation, 1992.
 Air Vent, Inc., The Best Vents for All Homes, 1992.
 Air Vent, Inc., Architectural Drawings and Installation Instructions, 1993.
 Air Vent, Inc., External Baffles vs. Internal Baffles Shingle-Over Ridge Vent Comparison Tests, 1991.
 Air Vent, Inc., The Best Vents for All Homes, 1991.
 Roofing Contractor, Sell The System! "No intake vents, no system;" advertisement for SmartVent by DCI, Tapered Under-Shingle Attic Intake Ventilation, Mar. 2005.
 Roofer's Exchange(Mid-Atlantic Division)Sell the System!"No intake vents, no system". advertisement for SmartVent by DCI, Tapered Under-Shingle Attic Intake Ventilation, Mar. 2005.
 Roofing Contractor, Manufacturers Spotlight DCI Products Inc., Jan. 2006.
 Roofing Contractor, Need Intake? Guaranteed Airflow with SmartVent; advertisement for SmartVent by DCI, Oct. 2006.
 Roofing Contractor, Need Intake? Guaranteed Airflow with SmartVent; advertisement for SmartVent by DCI, Feb. 2007.
 JLC, Sell the System! "No intake vents, no system;" advertisement for SmartVent by DCI, Tapered Under-Shingle Attic Intake Ventilation, Jan. 2005.
 Roofing Contractor, Sell the System! "No intake vents, no system;" advertisement for SmartVent by DCI, Tapered Under-Shingle Attic Intake Ventilation, Jan. 2004.
 Roofing Contractor, "Product Focus—Focus on—Ventilation", Aug. 2004.
 Roofing Contractor, "Manufacturer Spotlight—DCI Products, Inc.—No Intake Vents, No System!", Jan. 2007.
 Roofing Contractor, "Product Focus—Focus on—Ventilation", Mar. 2006.
 Roofing Contractor, "Need Intake? Guaranteed Air Flow with Smart Vent", May 2007.
 Western Roofing Magazine, "Flexible Flashing for Tile Roofs", Jan./Feb. 2006.
 RCE, Inc., "A Well-built Roof Doesn't Always Keep the Water Out, Balanced Attic Ventilation is Key;" Horvat, Marianne, Interface, Jul. 2004, Jul. 2004.
 Cor-A-Vent, Inc., Balanced Ventilation, How It Works; The Cor-A-Vent System, 2005.
 Technical University of Budapest, "Design, Structural And Building Physical Problems for Built-Up Garret Spaces,"Karacson, Sandor, et al.; Periodica Polytechnica Ser. Civil Eng.
 Florida Solar Energy, Literature Review of the Impact and Need for Attic Ventilation in Florida Homes, Parker, Danny; Florida Solar Energy Center, May 31, 2005, May 31, 2005.
 Millennium Metals, Inc., "Off Ridge Vent Installation," Millennium Metals, Inc., Dec. 22, 2006.
 Ridgeline Incorporated, "Installation Instructions for Shingled Roofs," Ridgeline Ridge Vent System, Pre-2007.
 RSI Magazine, "Attic Ventilation," Products Spotlight; SmartVent, DCI Products Inc., Nov. 2002.
 Thompson Architectural Metals Company, "Product Evaluation Report for Round Top Off Ridge Vent with Baffle for Tile," Thompson Architectural Metals Company; Jul. 16, 2008.

(56)

References Cited

OTHER PUBLICATIONS

- Thompson Architectural Metals Company, "Off Ridge Roof Vent Installation," Thompson Architectural Metals, Jul. 14, 2008.
- Trimline Building Products, "Complete Guide to Trimline Vent Requirements & Installation," Trimline Building Products, Sep. 2005.
- Atlas Roofing Corporation, HV Evolution Data Sheet, Atlas Roofing, Apr. 2009.
- NBP International, "Evolution Ridge Vents" presentation, 2007.
- NBP International, "The ridge is the 'top' choice for ventilation," NBP Ridge Vents brochure, 2007.
- Air Vent, Inc., "Attic Ventilation: The Five Most Frequently Asked Questions," Scelsi, Paul, Nov. 2003.
- Trimline Building Products, "The Best Ridge Vent in Performance, Attractiveness and Ease of Installation," Trimline Building Products Shingle-Over Ridge Vents brochure, 2005.
- Trimline Building Products, Trimline Ventilation Products and Installation Instructions, 2007.
- Air Vent, Inc., ShingleVent® II—High Performance Ridge Vent from Air Vent, 1996.
- Air Vent, Inc., Multi-Pitch FilterVent®—High Performance Ridge Vent from Air Vent, 1996.
- Air Vent, Inc., Proven Performance . . . Through Research, 1992.
- DCI Products, Inc., DCI Products Inc. Smartvent and Smartridge at IRE show, 2007.
- DCI Products, Inc., SmartVent by DCI, The Total Attic Ventilation System, Sep. 7, 2005.
- DCI Products, Inc., SmartVent by DCI, Aug. 12, 2005.
- DCI Products, Inc., SmartVent by DCI, Tapered Under-Shingle Attic Intake Ventilation, Nov. 7, 2005.
- DCI Products, Inc. SmartVent by DCI, The Total Attic Ventilation System, 2006.
- Roofing Contractor, SmartVent by DCI Products, Big Insurance News for the Roofing Contractor, Architect or Builder, Mar. 2004.
- Roofing Contractor, Manufacturers Spotlight—DCI Products Inc., Complete Your Ventilation System, SmartVent by DCI, Jan. 2005.
- DCI Smart Vent, DCI Products, Inc., 2004-2007.
- Trimline Building Products, Trimline® Shingle-Over Ridge Vents, 2005.
- Cor-A-Vent, V-600E Ridge Vent, 2005.
- Ridgeline Incorporated, Ridgeline® Ridge Vent, 1998.
- Air Vent, Inc., Air Vent ShingleVent® II, 1992.
- Air Vent, Inc., Air Vent ShingleVent®II-7, 1992.
- Air Vent, Inc., Air Vent ShingleVent® II-9, 1992.
- Air Vent, Inc., Air Vent ShingleVent® II-7A, 1992.
- Air Vent, Inc., Air Vent ShingleVent® II-9A, 1992.
- Air Vent, Inc., Air Vent VenturiVent Plus, 1992.
- Air Vent, Inc., Air Vent Multi-Pitch FilterVent®, 1992.
- Air Vent, Inc., Air Vent Peak Performer ITM, 1992.
- Air Vent, Inc., Air Vent Peak Performer IITM, 1992.
- Air Vent, Inc., Air Vent VenturiVent RollTM. 1992.
- Air Vent, Inc. Air Vent Easy UpTM, 1992.
- Air Vent, Inc. Air Vent SLP Slant Back Plastic, 1992.
- Air Vent, Inc. Air Vent SQP Square Plastic, 1992.
- Air Vent, Inc. Air Vent B-144 Plastic Dome, 1992.
- Air Vent, Inc. Air Vent Wall-Mount Vents, 1992.
- Air Vent, Inc. Air Vent Airhawk® SLA Slant Aluminum, 1992.
- Air Vent, Inc., Air Vent Airhawk® RVA 51/RVG 51 Square Vent, 1992.
- Air Vent, Inc., Air Vent Airhawk® RVA 40/RVG 40 Slant Back, 1992.
- Air Vent, Inc., Air Vent Airhawk® RVA 50/RVG 50 Slant Back, 1992.
- Air Vent, Inc., Air Vent Airhawk® RVG 55 Slant Galvanized, 1992.
- Air Vent, Inc., Air Vent Airhawk® RVG 53 Square High Collar, 1992.
- Air Vent, Inc., Air Vent Airhawk® B-144 MetalDome, 1992.
- Air Vent, Inc., Air Vent Shinglevent II, 1991.
- Mid-America Building Products Corp., RidgeMasterTM, 1991.
- Cor-A-Vent, Inc., Coravent®, 1991.
- Alcoa Building Products, Rovar®, 1991.
- Benjamin Obdyke, Inc., Roll Vent®, 1991.
- Greenstreak, Top CatTM, 1991.
- North America Building Products, Inc., Ridgeline II®, 1991.
- North America Building Products, Inc., Highpoint VentTM—Series 5, 1991.
- The Solar Group, Inc., Easy-UpTM Shingle-Over Ridge Vent, 1991.
- Browning Metal Products, VenturiVent PlusTM, 1991.
- Lomanco, Inc., Sov-4®, 1991.
- Tra-Mage, Inc., FlexVentTM, 2006.
- Thompson Architectural Metals, TAMCO Off-Ridge Roof Vent, 2009.
- Atlas Roofing Corporation, Evolution Ridge Vent, 2007.

* cited by examiner

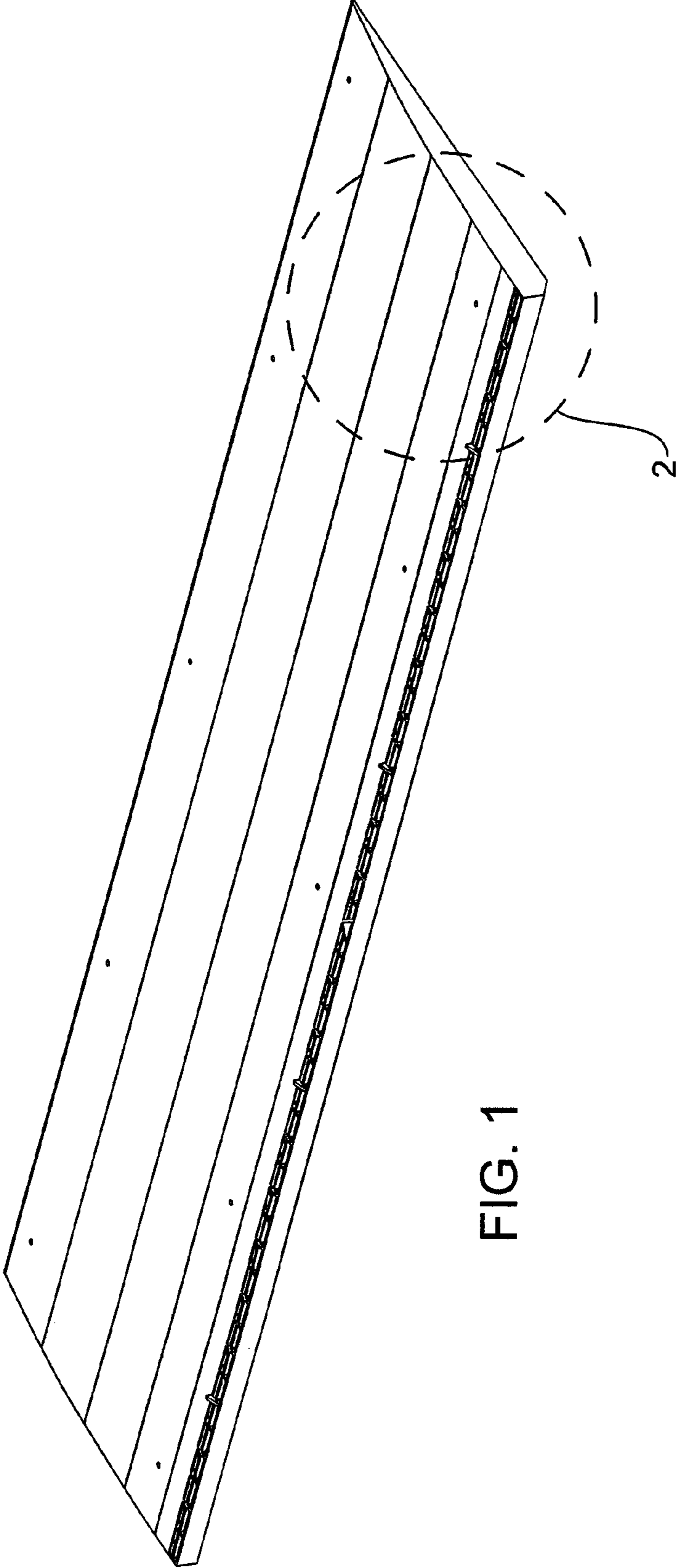


FIG. 1

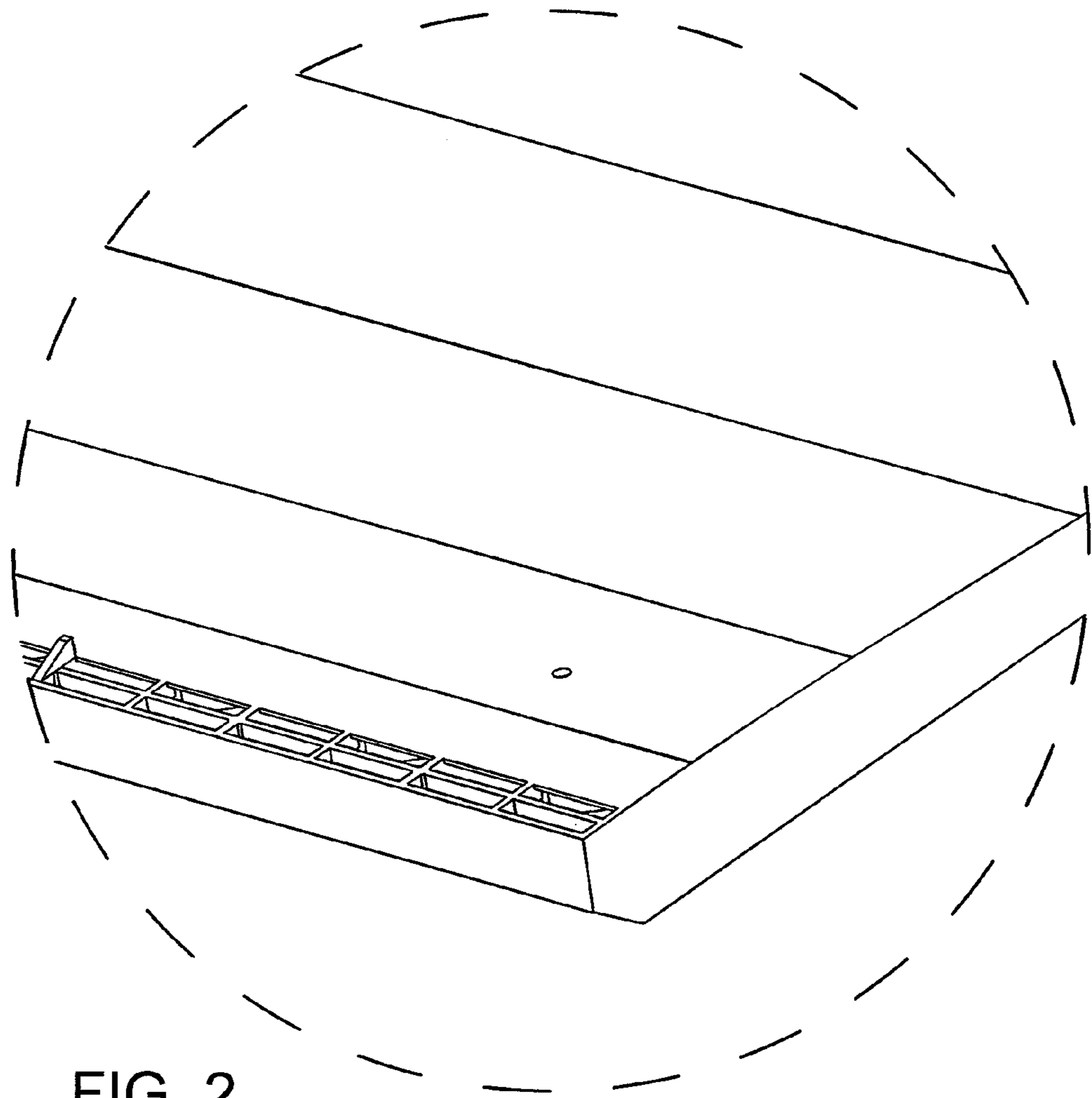


FIG. 2

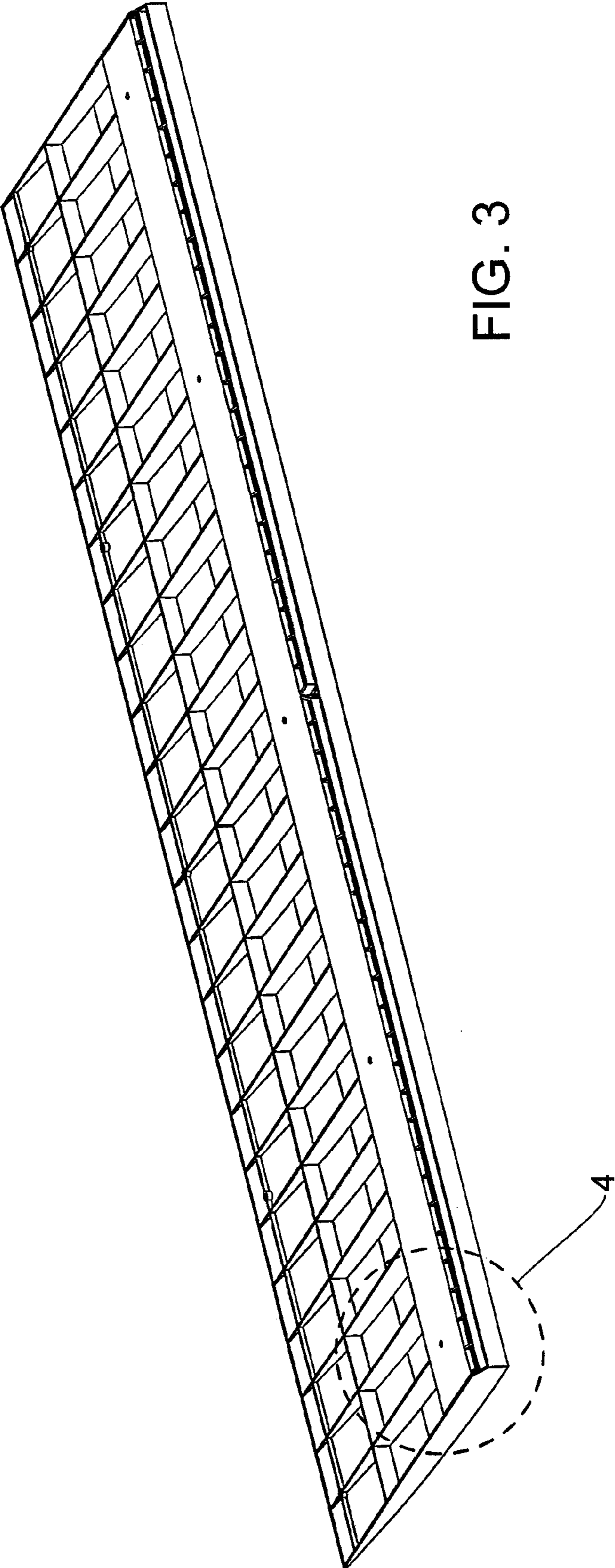


FIG. 3

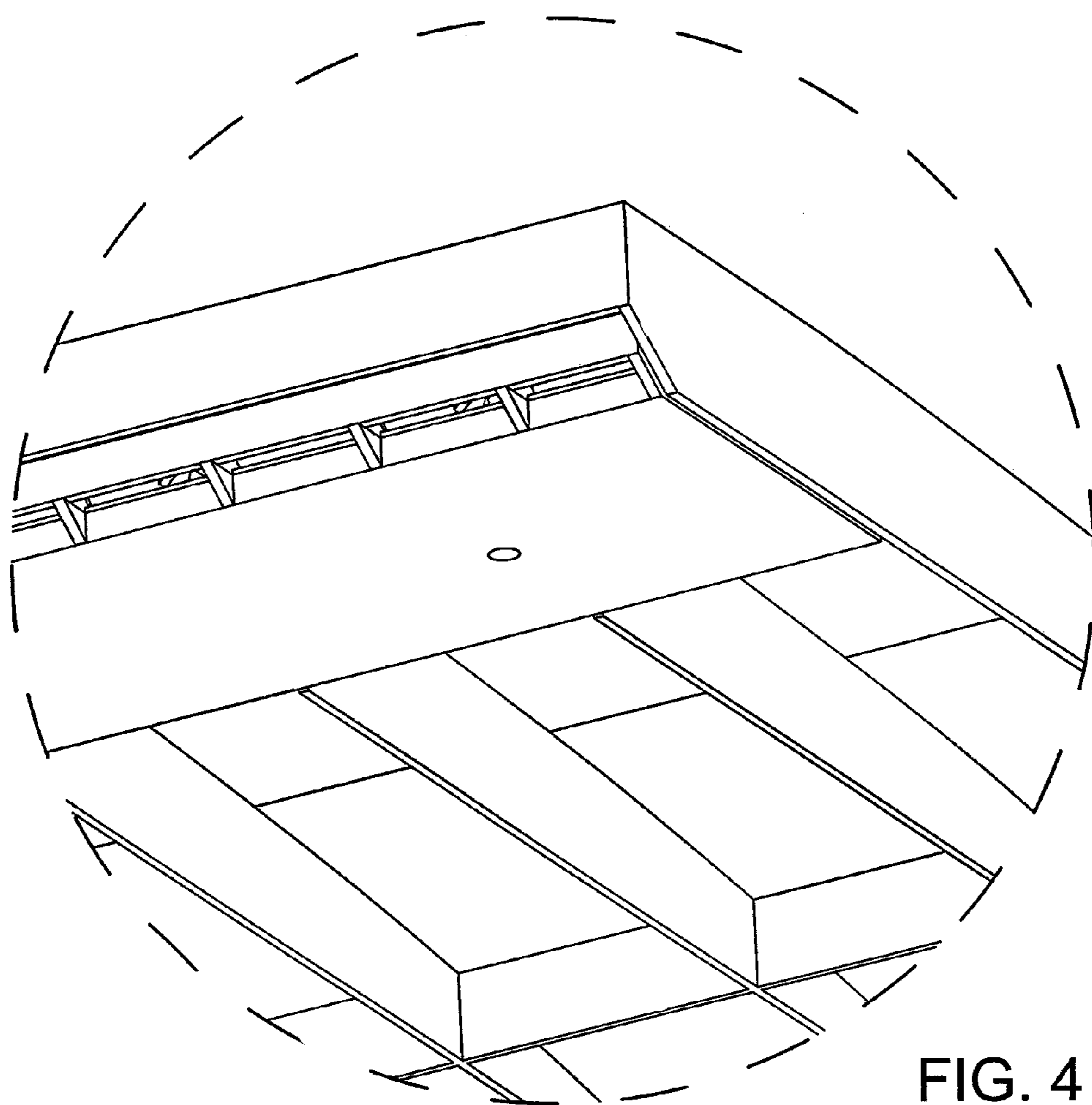


FIG. 4

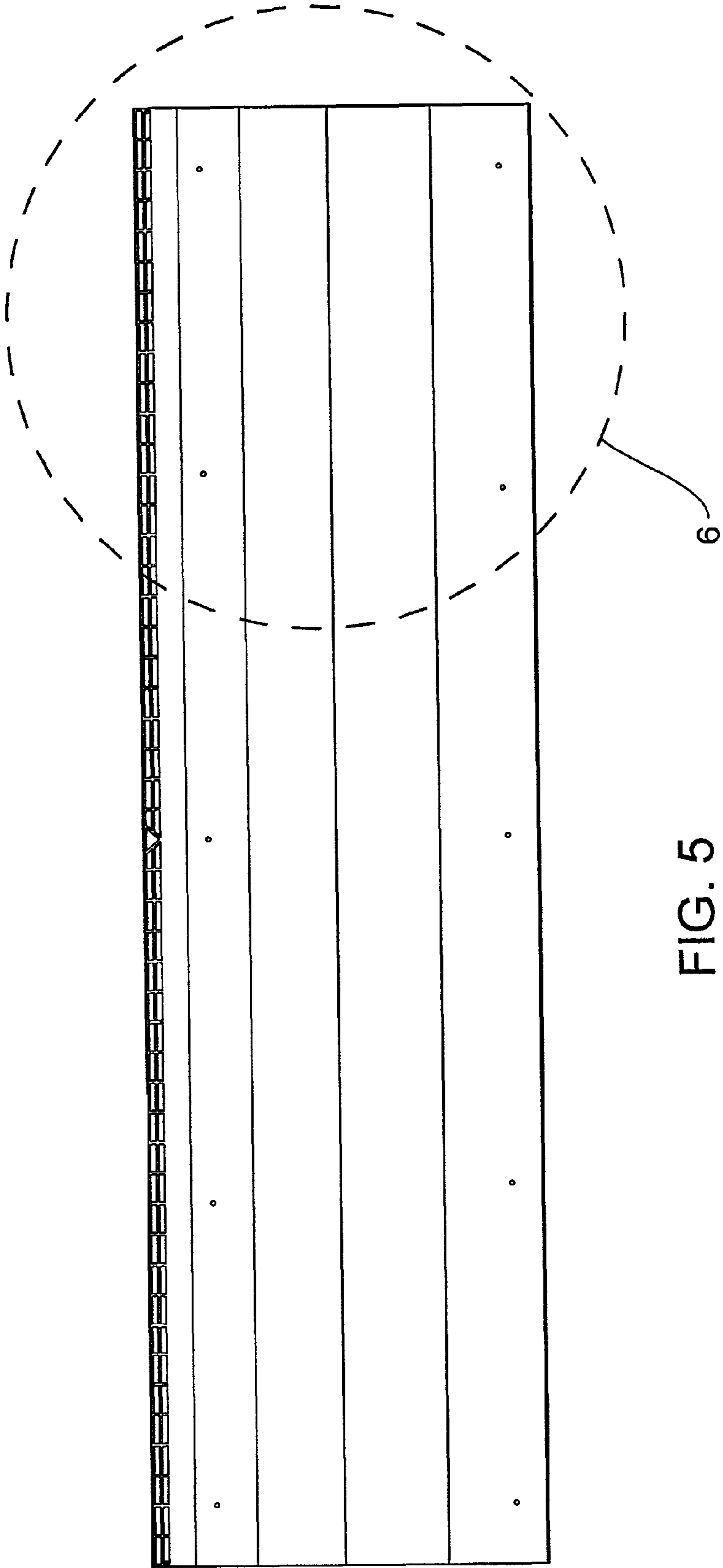


FIG. 5

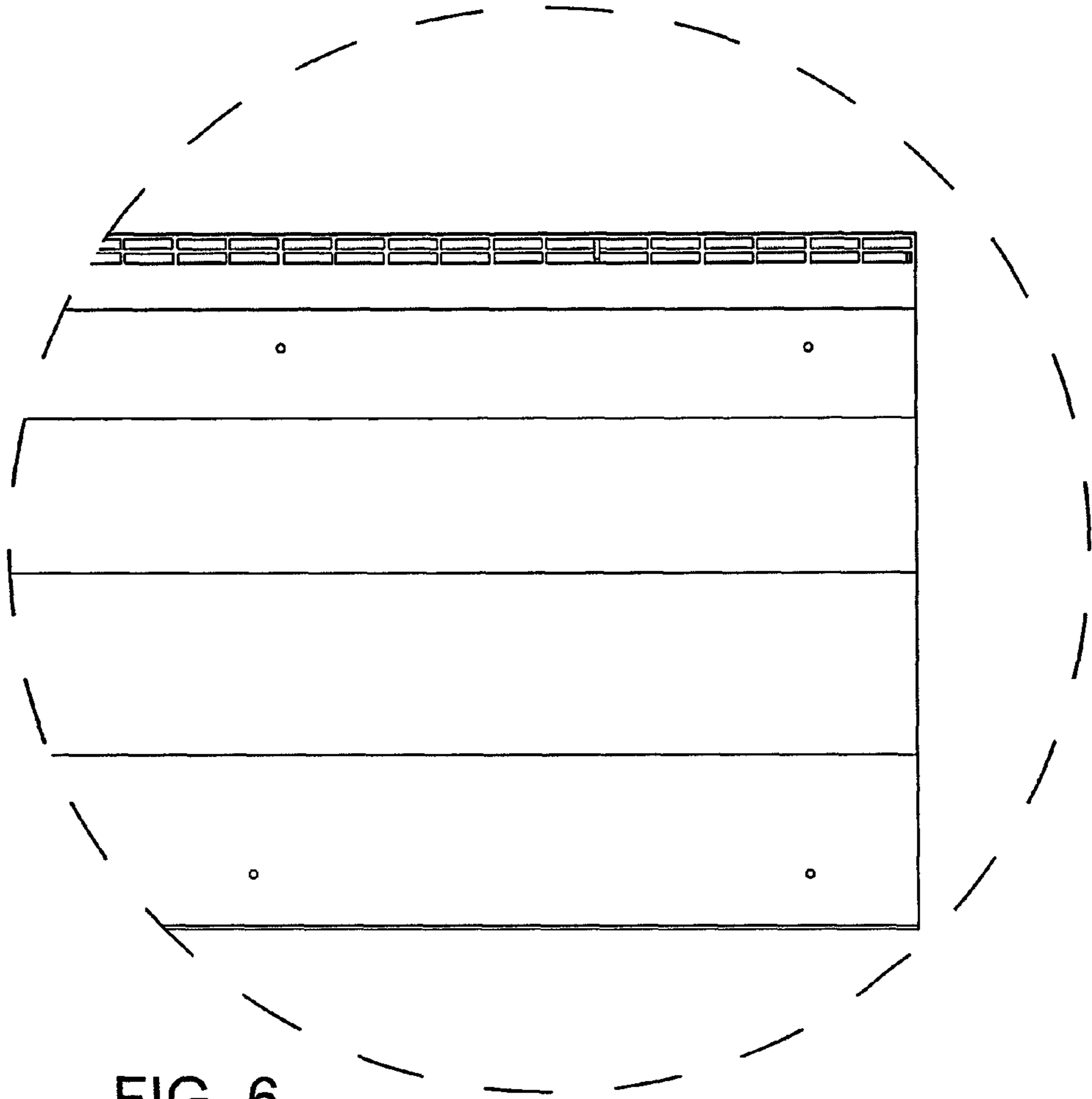


FIG. 6

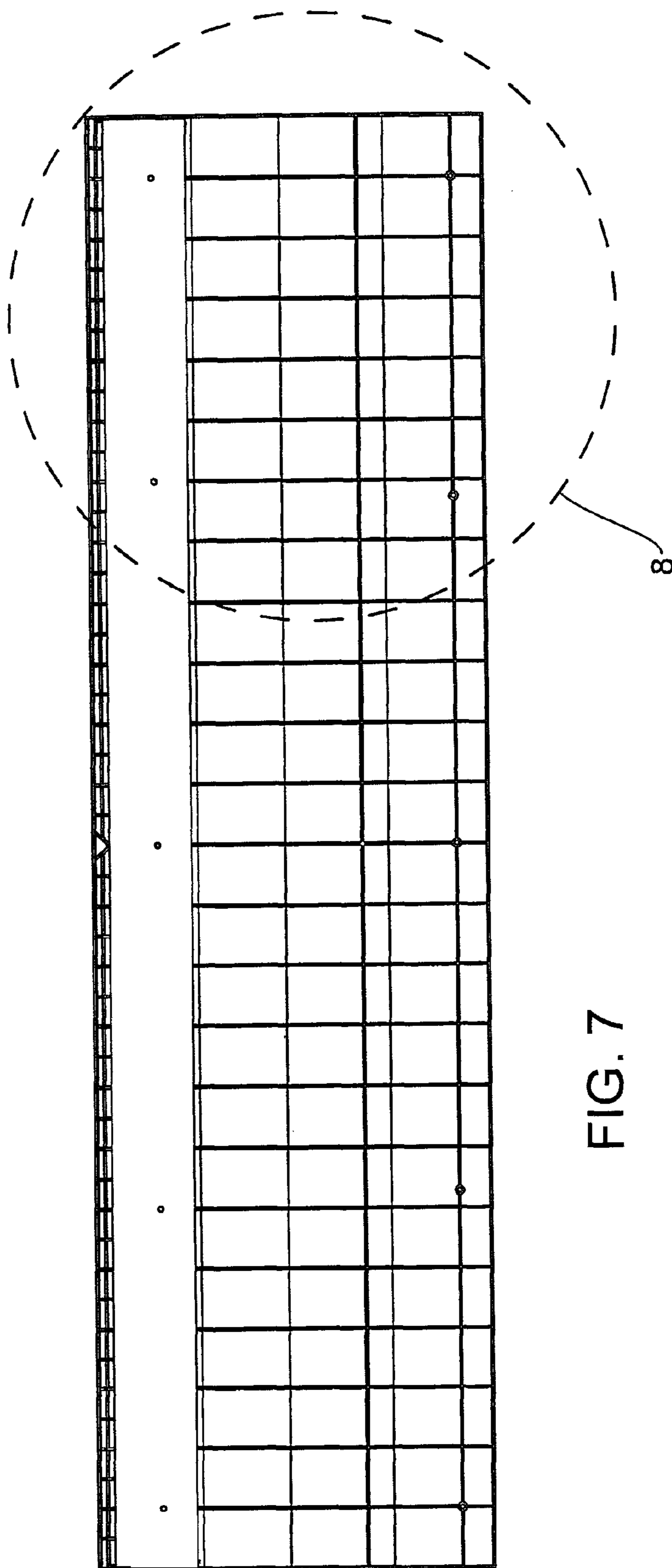


FIG. 7

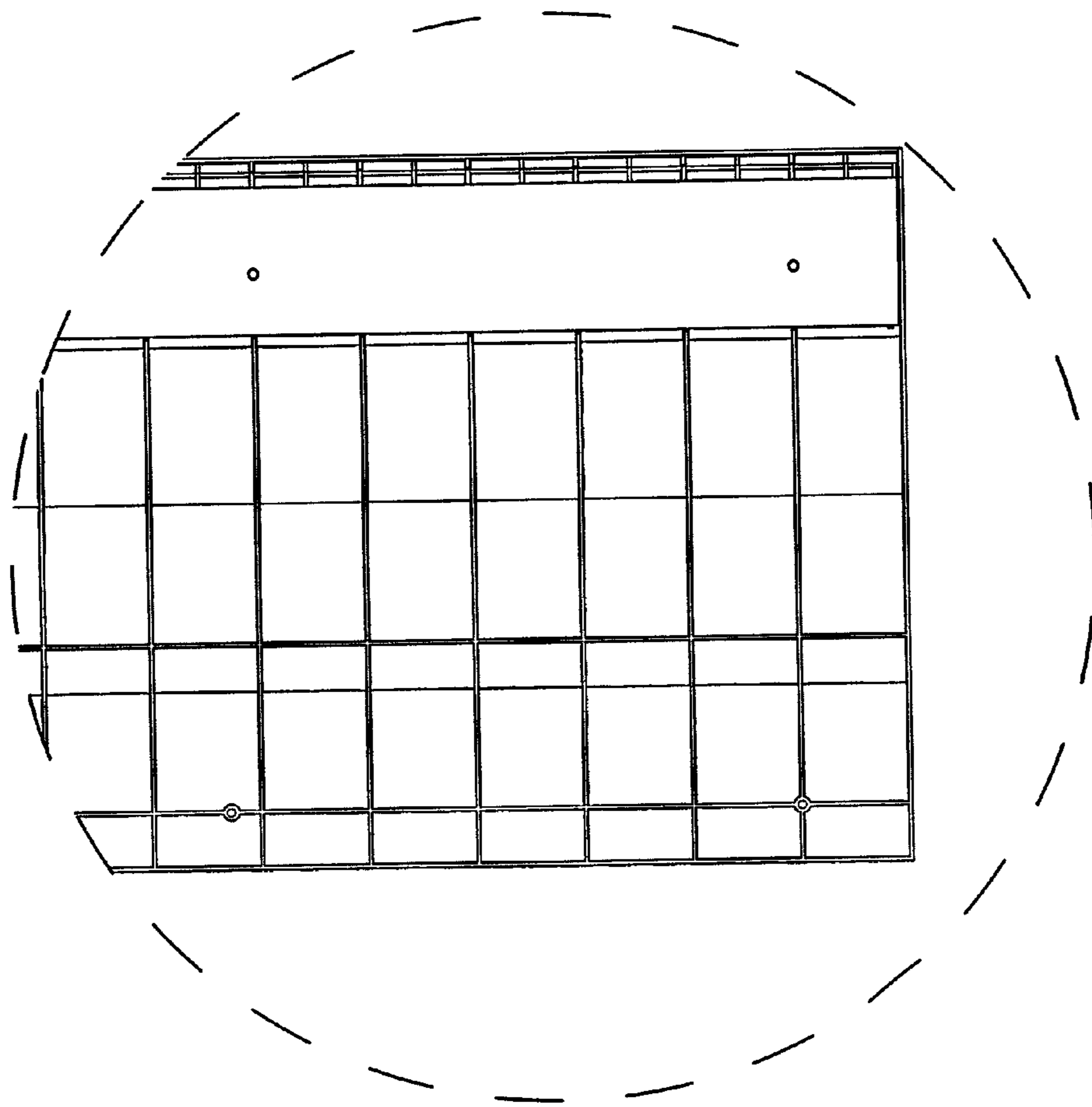


FIG. 8

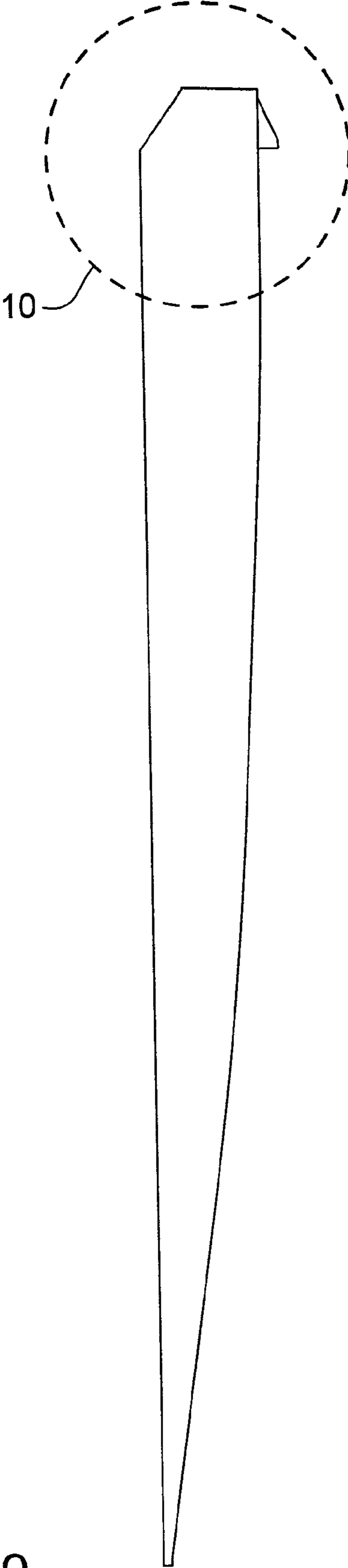


FIG. 9

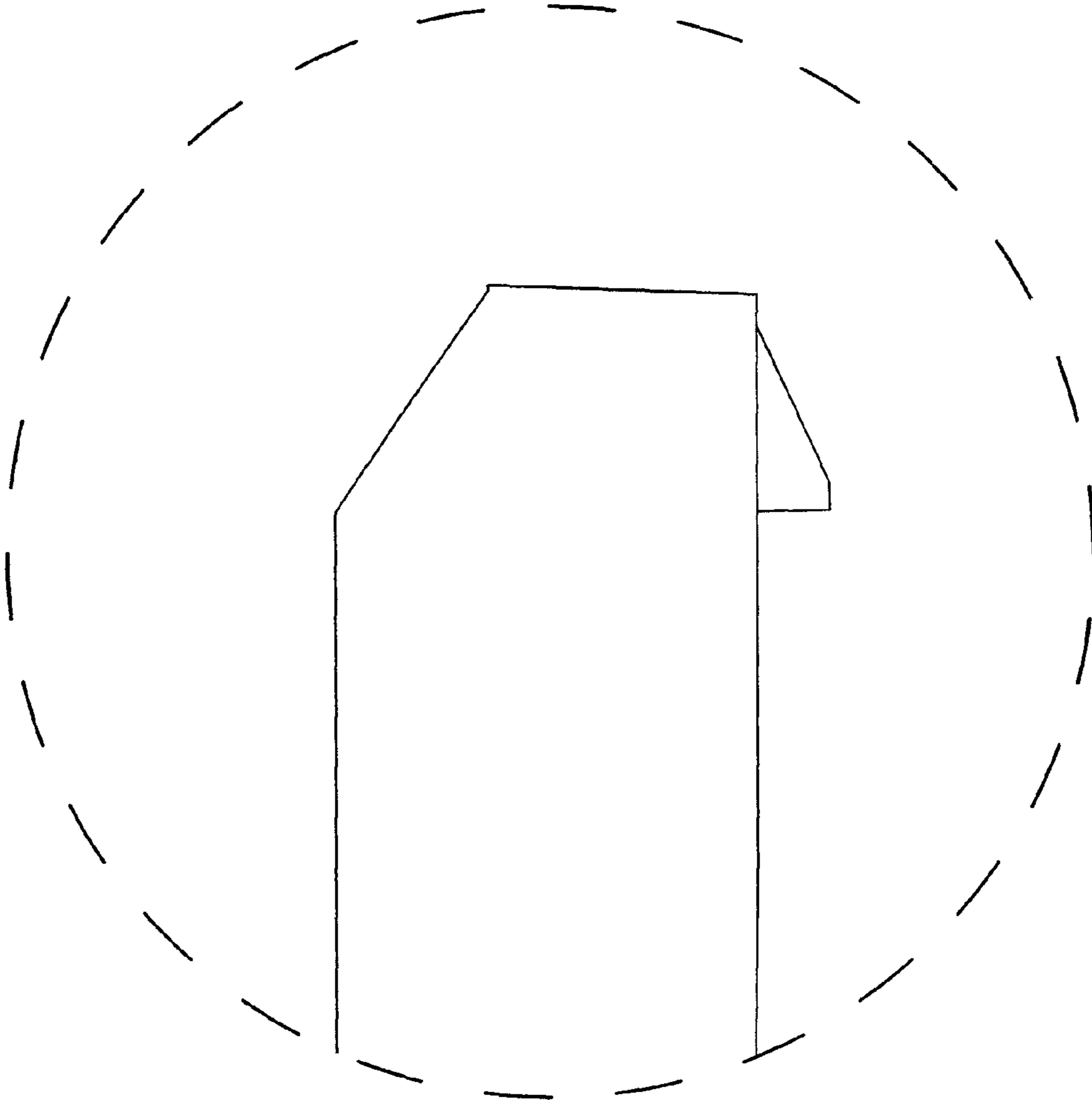


FIG. 10

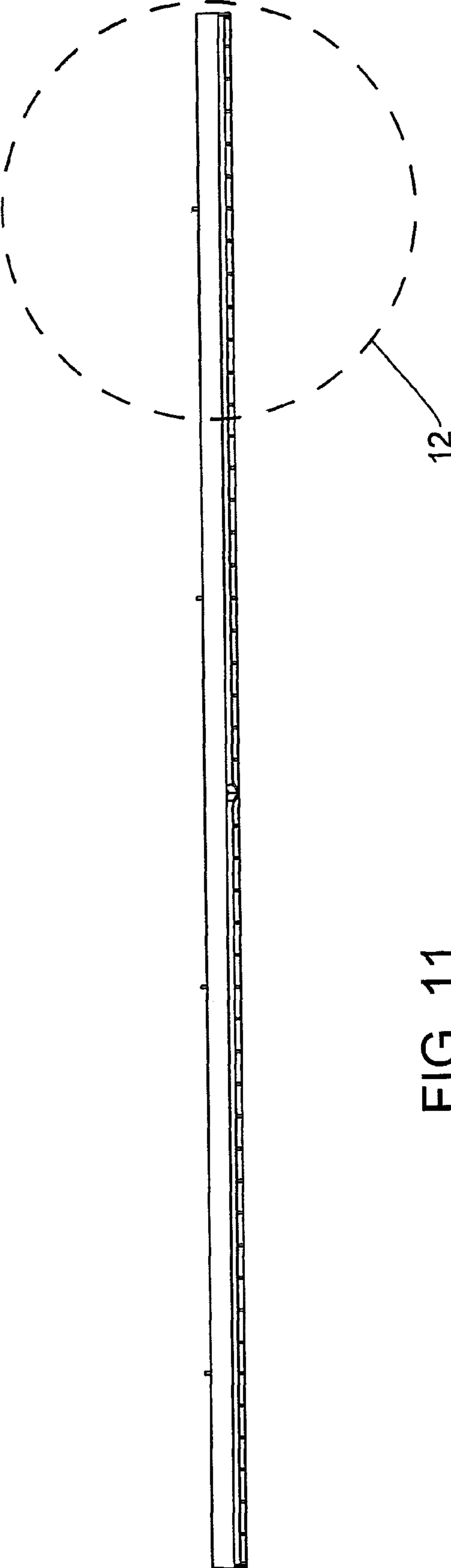


FIG. 11

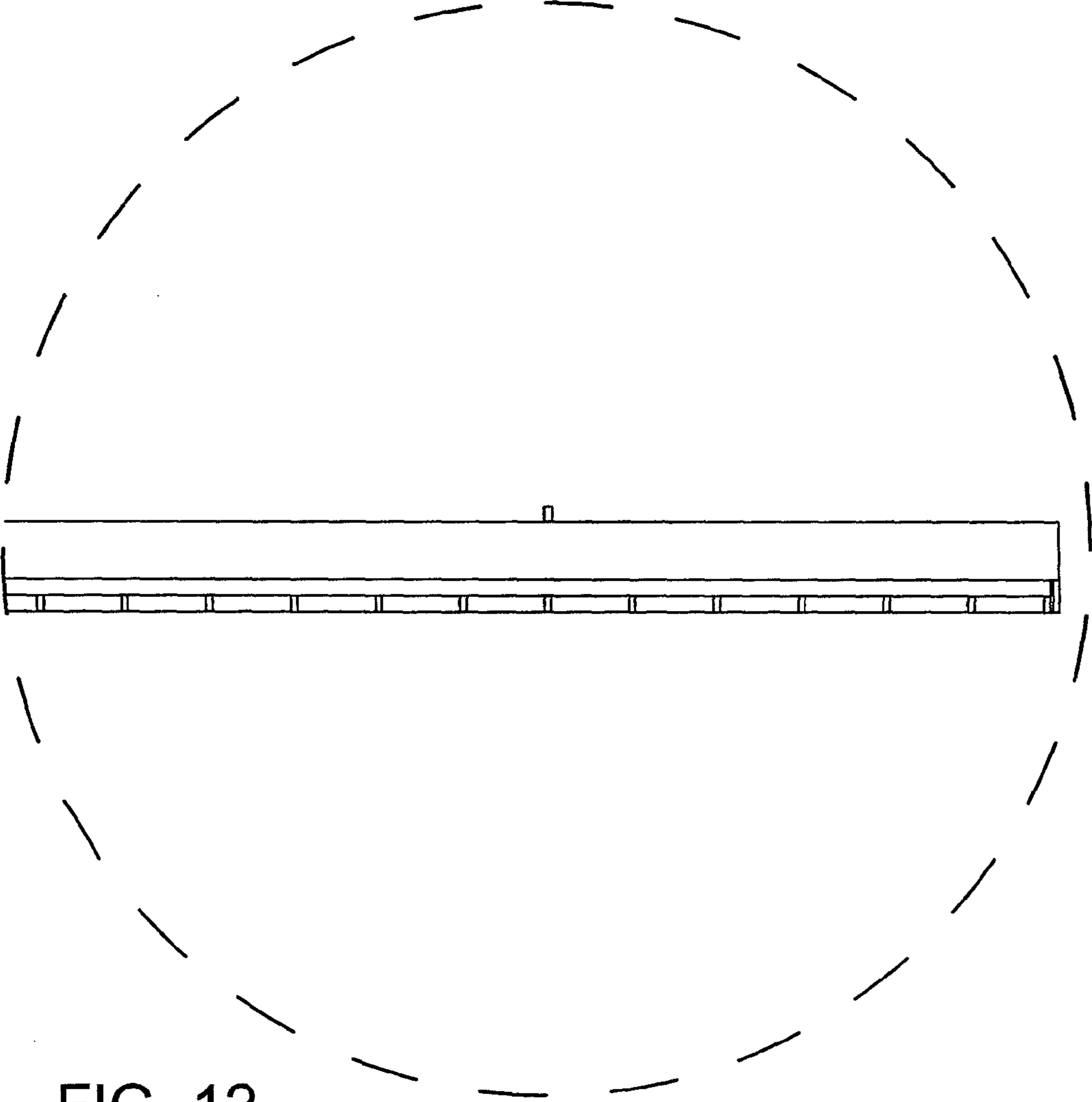


FIG. 12

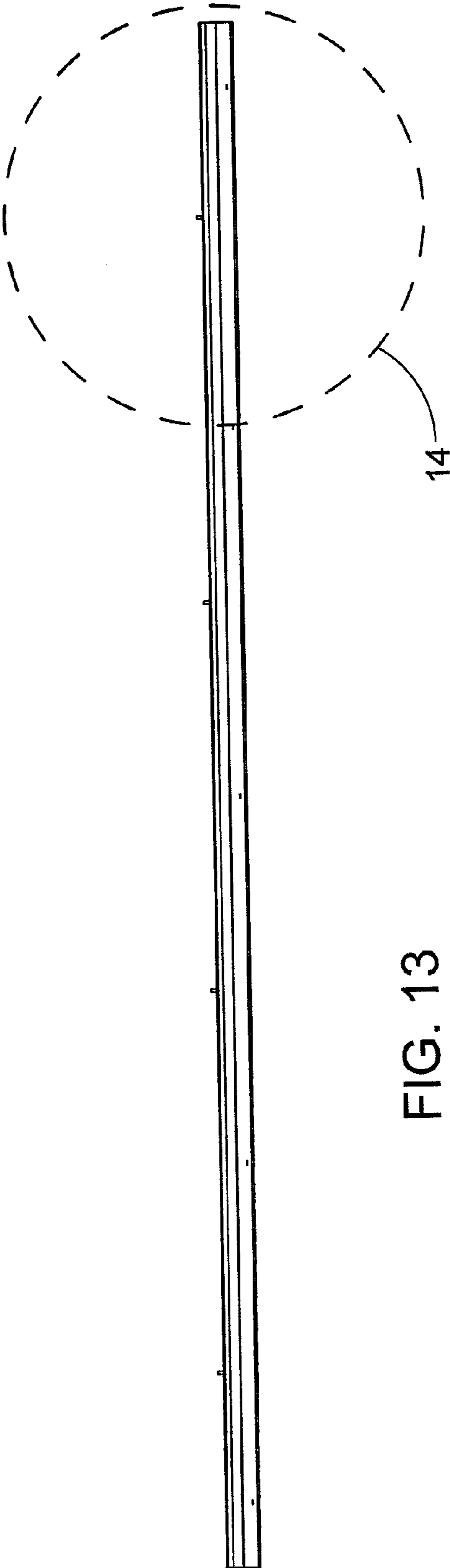


FIG. 13

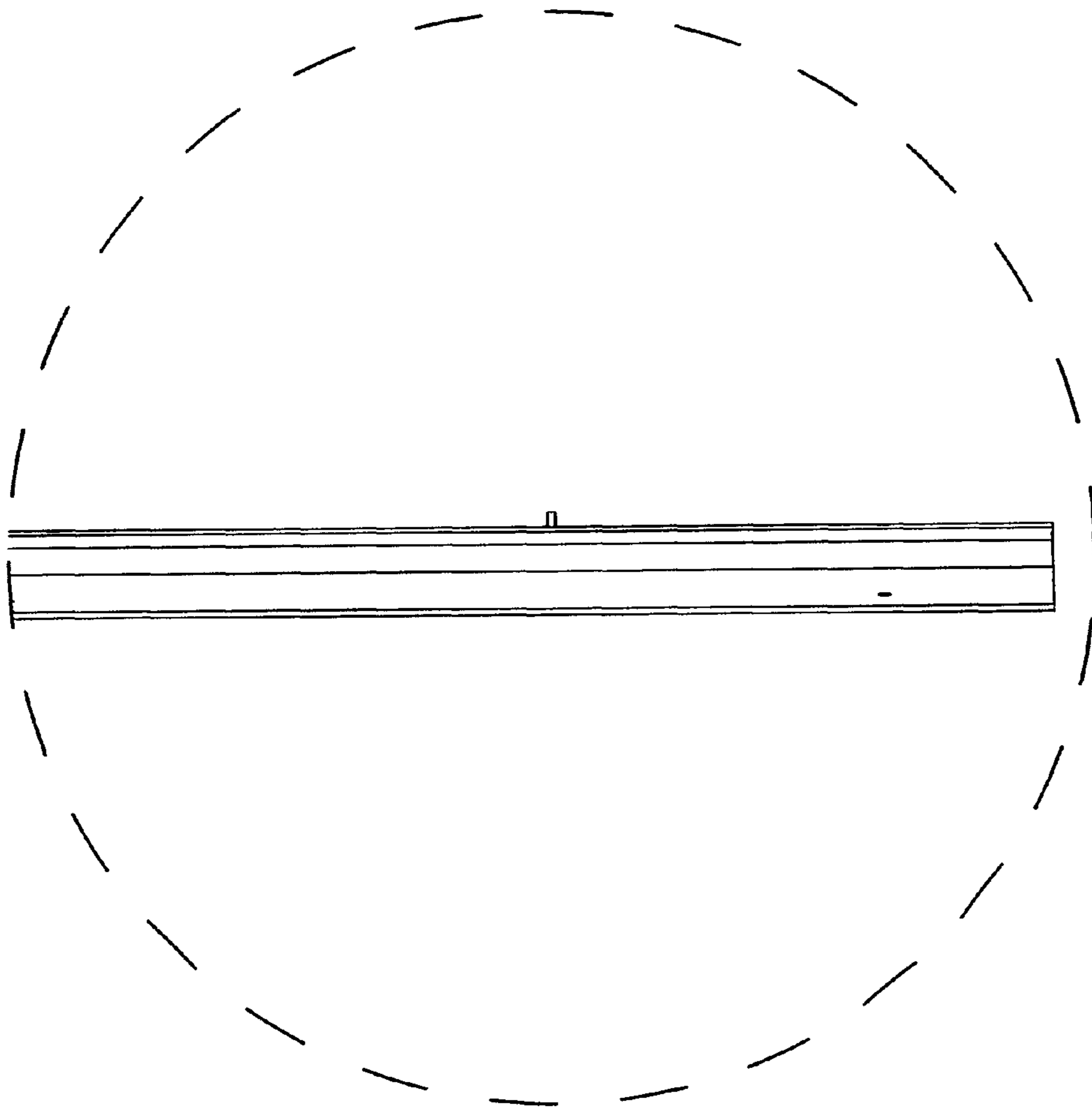


FIG. 14