



US00D729926S

(12) **United States Design Patent**
Tomasiak

(10) **Patent No.:** **US D729,926 S**

(45) **Date of Patent:** **** May 19, 2015**

(54) **RADIAL AIR DIFFUSER**

(71) Applicant: **Emerson Electric Co.**, St. Louis, MO (US)

(72) Inventor: **Mark Tomasiak**, St. Peters, MO (US)

(73) Assignee: **EMERSON ELECTRIC CO.**, St. Louis, MO (US)

(**) Term: **14 Years**

(21) Appl. No.: **29/481,166**

(22) Filed: **Feb. 3, 2014**

(51) **LOC (10) Cl.** **23-04**

(52) **U.S. Cl.**
USPC **D23/388**

(58) **Field of Classification Search**
USPC D23/388, 226, 213, 390; 55/486, 521;
454/308; 422/177; 431/181, 351;
95/98; 60/737; 123/557; 440/3;
D32/18, 23, 25

See application file for complete search history.

(56) **References Cited**

U.S. PATENT DOCUMENTS

D336,952 S * 6/1993 Raneo D23/393
5,427,609 A * 6/1995 Zoglman et al. 95/98

5,606,769 A * 3/1997 Tomasiak et al. 15/327.6
5,791,137 A * 8/1998 Evans et al. 60/39.463
6,257,212 B1 * 7/2001 Hammond 123/557
6,290,596 B1 * 9/2001 Birdsong et al. 454/289
D544,090 S * 6/2007 Tomasiak D23/388
D558,300 S * 12/2007 Rappin D23/213
D565,151 S * 3/2008 Brown D23/213
D706,406 S * 6/2014 Wang D23/385
D713,495 S * 9/2014 Sato D23/213
2001/0003893 A1 * 6/2001 Ramos et al. 55/482
2003/0091480 A1 * 5/2003 Yamaguchi et al. 422/179

* cited by examiner

Primary Examiner — David Muller

(74) *Attorney, Agent, or Firm* — Sutton McAughan Deaver PLLC

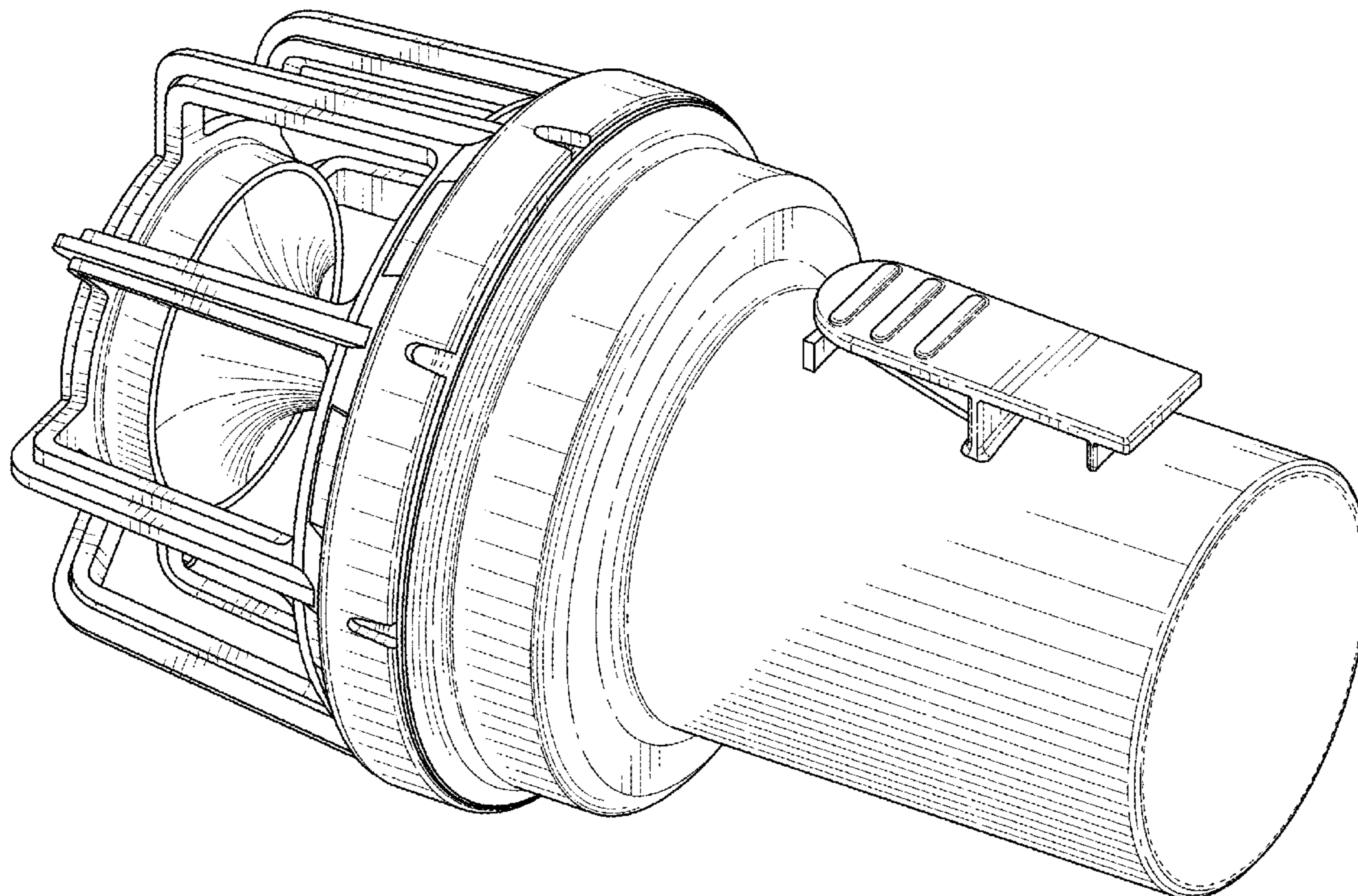
(57) **CLAIM**

The ornamental design for a radial air diffuser, as shown and described.

DESCRIPTION

FIG. 1 is a perspective view the radial air diffuser;
FIG. 2 is a top plan view thereof;
FIG. 3 is a bottom plan view thereof;
FIG. 4 is a front elevation view thereof;
FIG. 5 is a rear elevation view thereof; and,
FIG. 6 is a side view thereof, the opposite side being the mirror image.

1 Claim, 5 Drawing Sheets



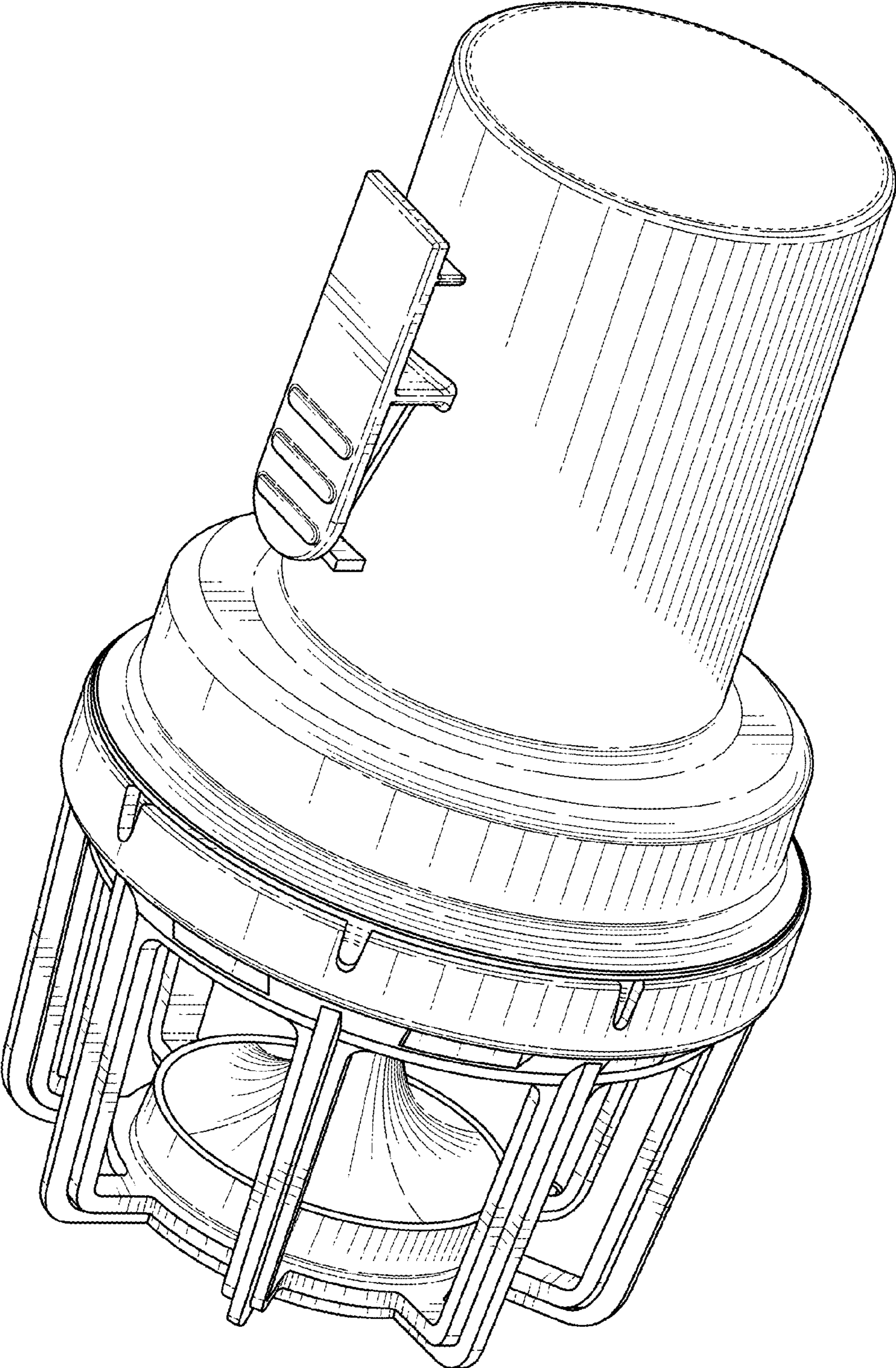


FIG. 1

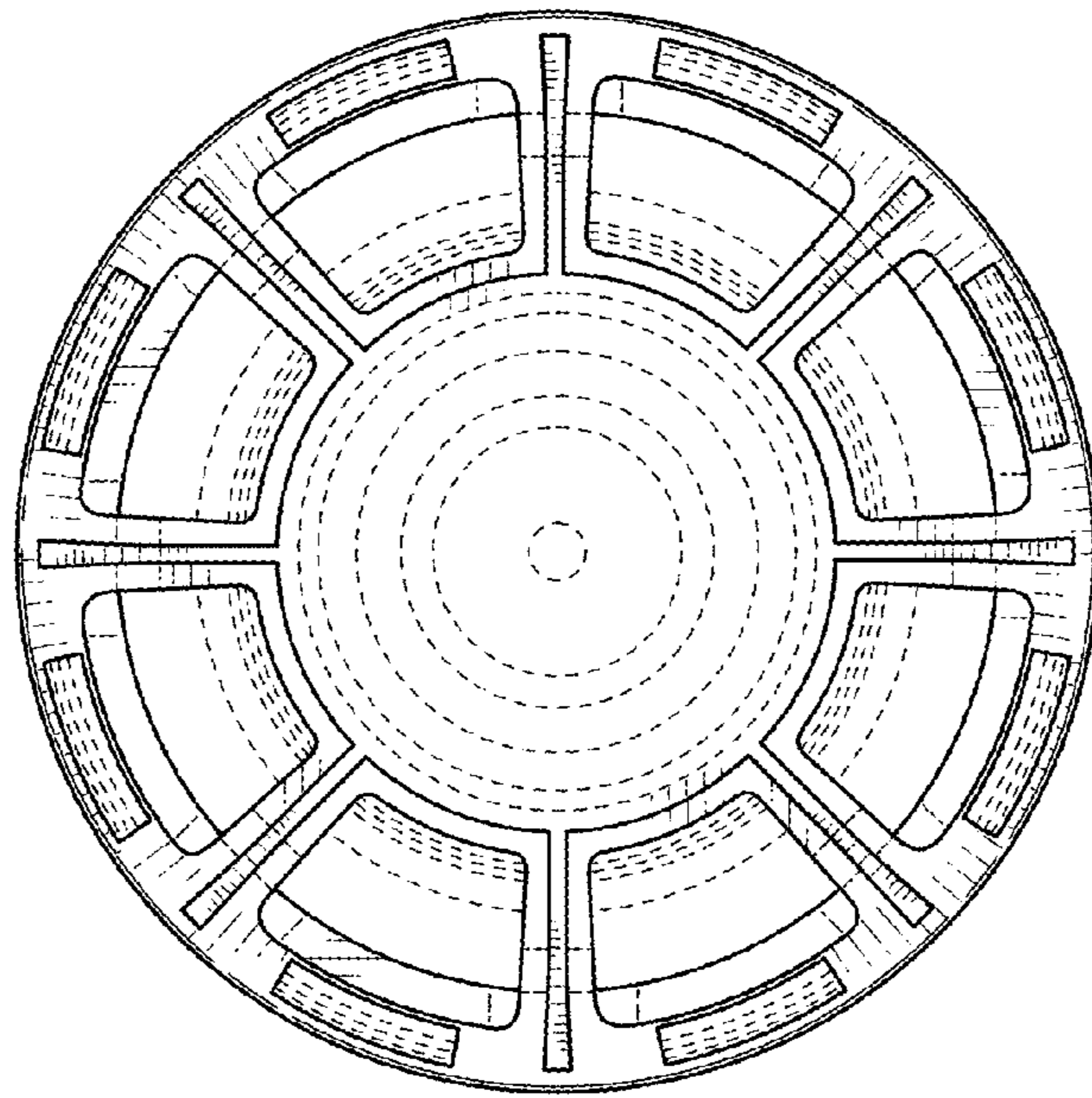


FIG. 2

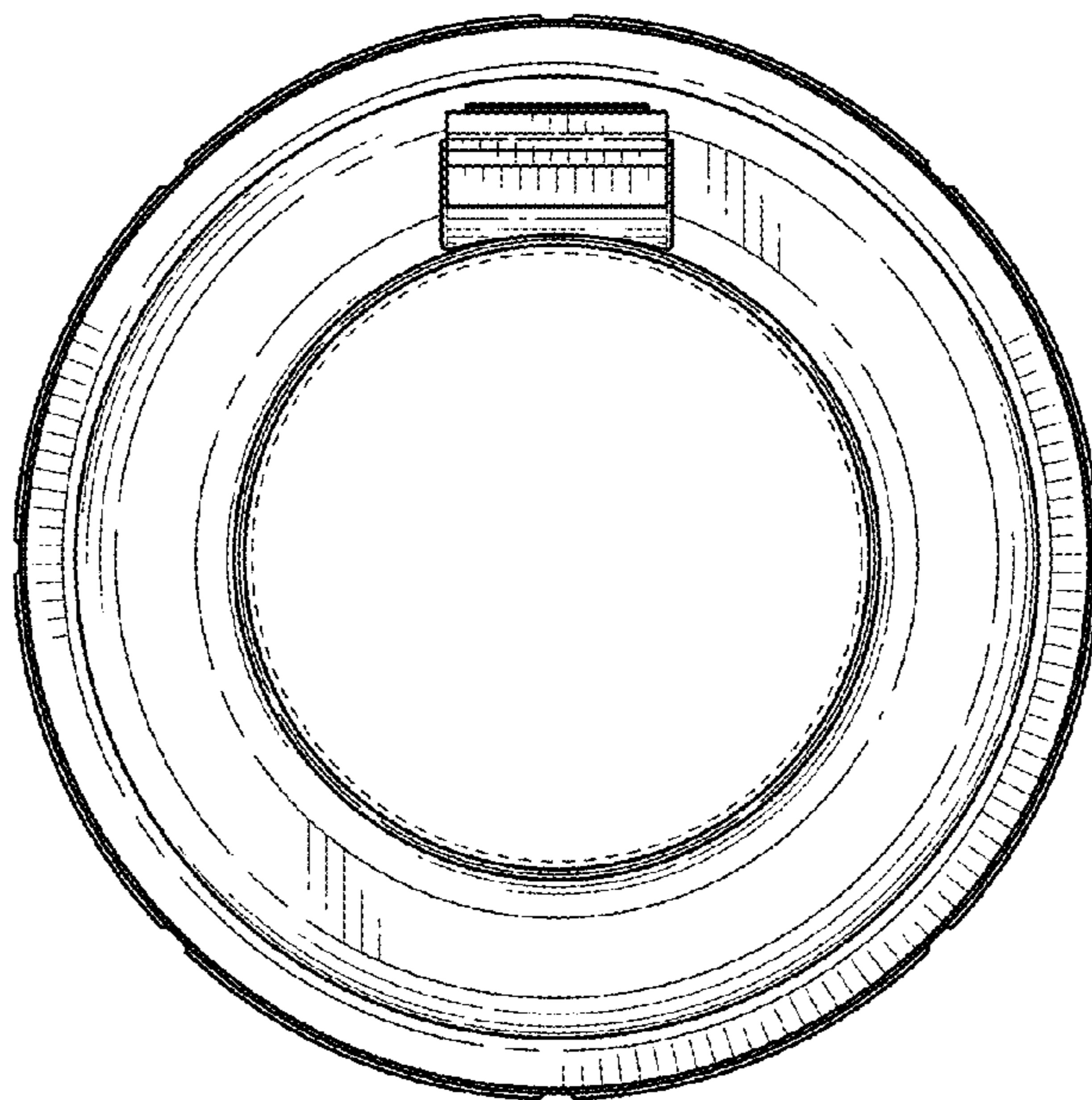


FIG. 3

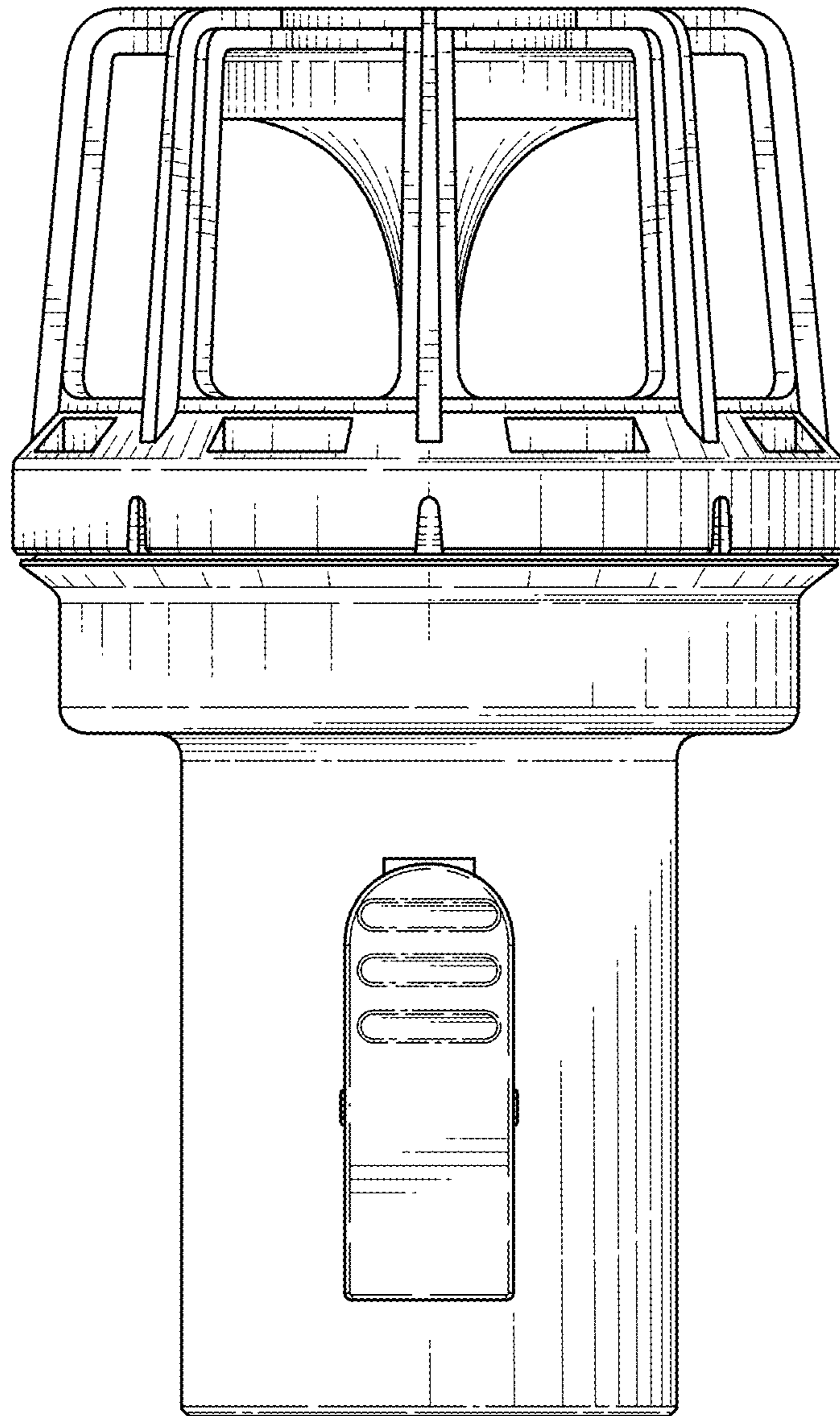


FIG. 4

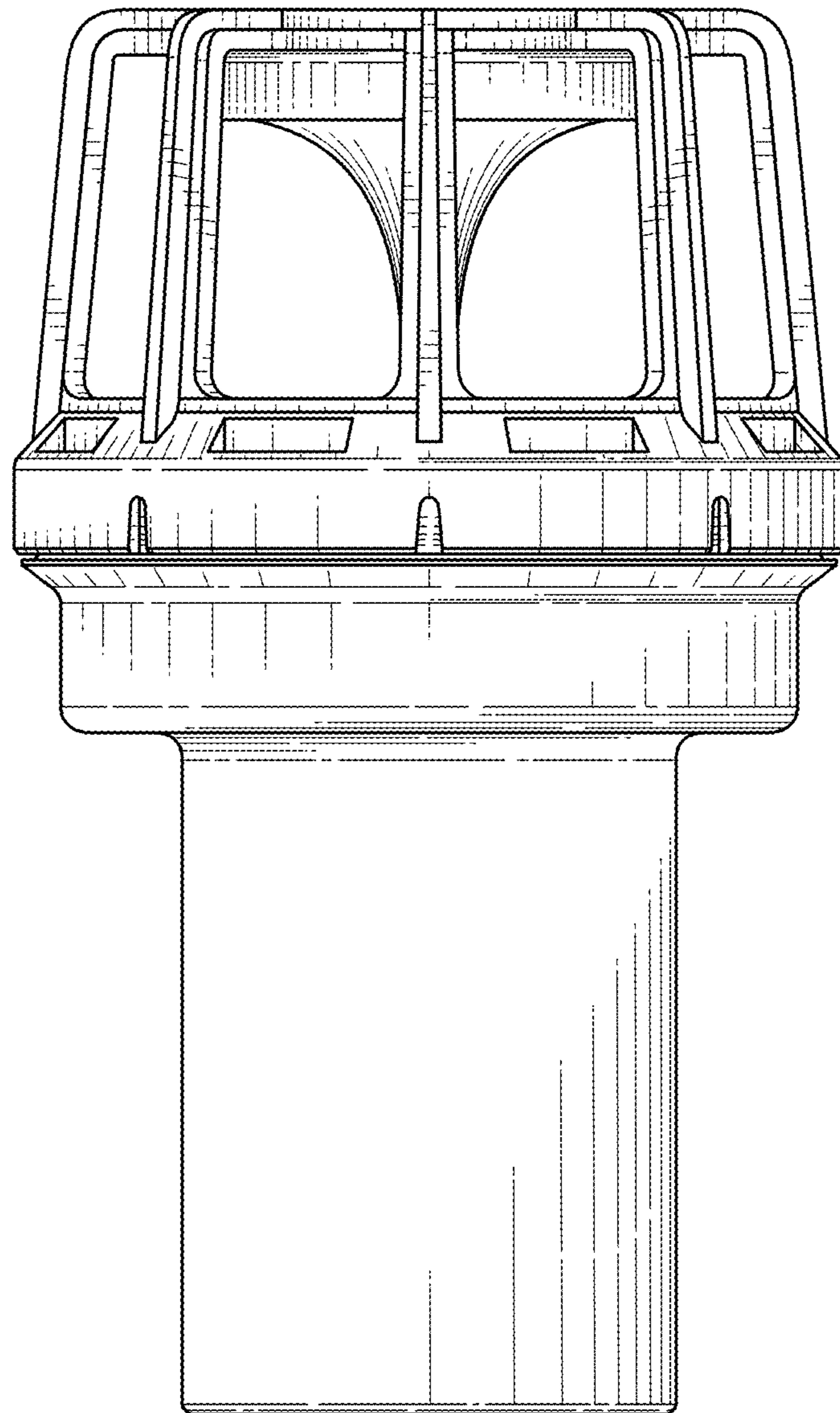


FIG. 5

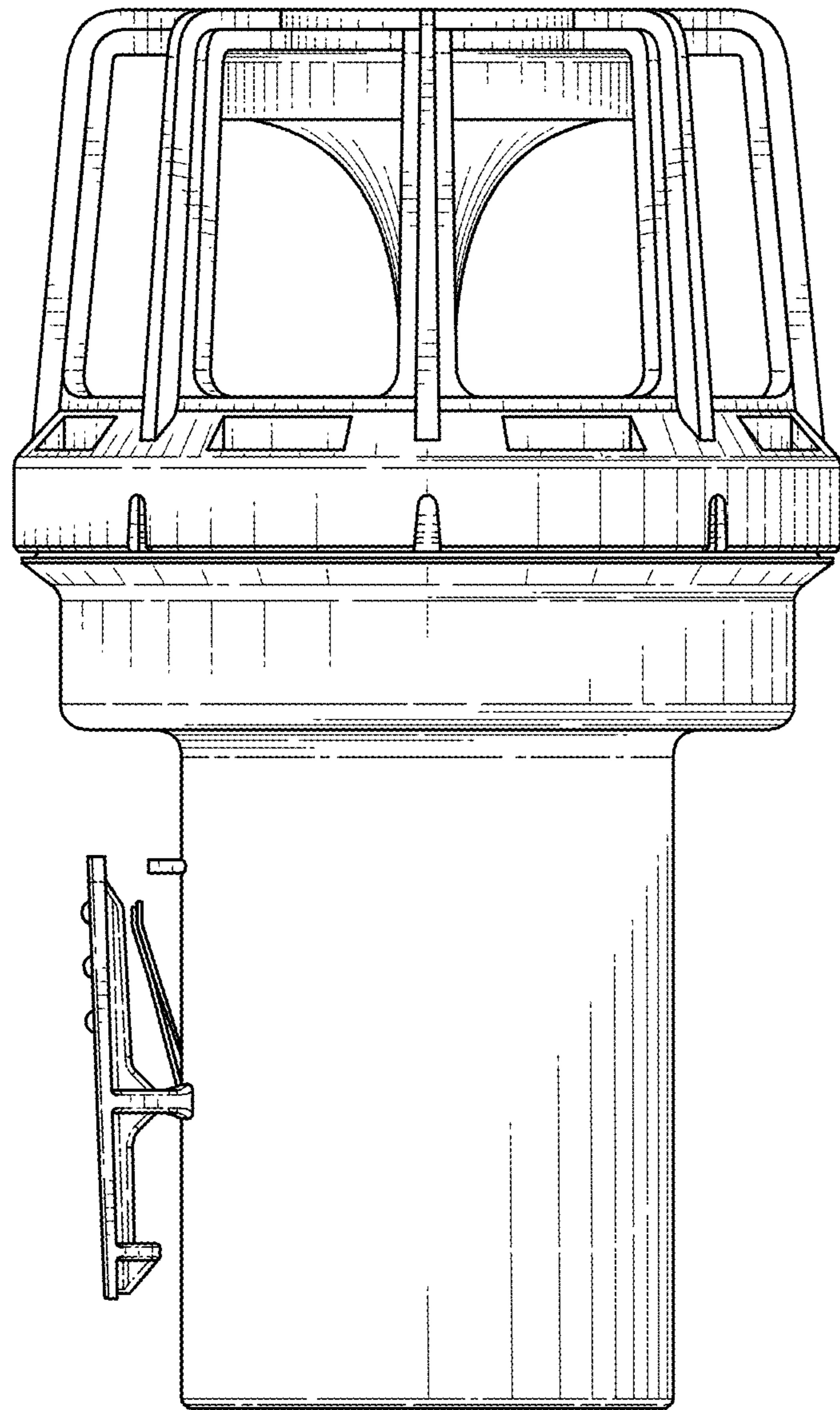


FIG. 6