



US00D729924S

(12) **United States Design Patent**
Hsiao

(10) **Patent No.:** **US D729,924 S**

(45) **Date of Patent:** **** May 19, 2015**

(54) **PLUG-IN SCENT WARMER**

(71) Applicant: **Ming Jen Hsiao**, Miaoli County (TW)

(72) Inventor: **Ming Jen Hsiao**, Miaoli County (TW)

(**) Term: **14 Years**

(21) Appl. No.: **29/509,668**

(22) Filed: **Nov. 20, 2014**

(51) **LOC (10) Cl.** **28-99**

(52) **U.S. Cl.**
USPC **D23/366**

(58) **Field of Classification Search**
USPC D23/355-369; D28/5, 6; 261/DIG. 17,
261/DIG. 42, DIG. 65, DIG. 88, DIG. 89;
392/386, 390, 394, 395, 397; 239/34,
239/44, 53, 55, 56, 326

See application file for complete search history.

(56) **References Cited**

U.S. PATENT DOCUMENTS

5,940,577	A *	8/1999	Steinel	392/395
D462,755	S *	9/2002	Basaganas Millan	D23/366
6,501,906	B2 *	12/2002	Vieira	392/395
D501,921	S *	2/2005	Caserta et al.	D23/366

6,850,697	B2 *	2/2005	Basaganas Millan	392/390
D507,636	S *	7/2005	Baraky et al.	D23/366
D516,691	S *	3/2006	Caserta et al.	D23/366
D544,592	S *	6/2007	Caserta et al.	D23/366
D672,861	S *	12/2012	Adair et al.	D23/366
D672,862	S *	12/2012	Adair et al.	D23/366
D686,718	S *	7/2013	Gordon et al.	D23/366
D686,721	S *	7/2013	Wirz	D23/366
D712,532	S *	9/2014	Adair et al.	D23/366

* cited by examiner

Primary Examiner — Sandra Snapp

(74) *Attorney, Agent, or Firm* — Ming Chow; Sinorica, LLC

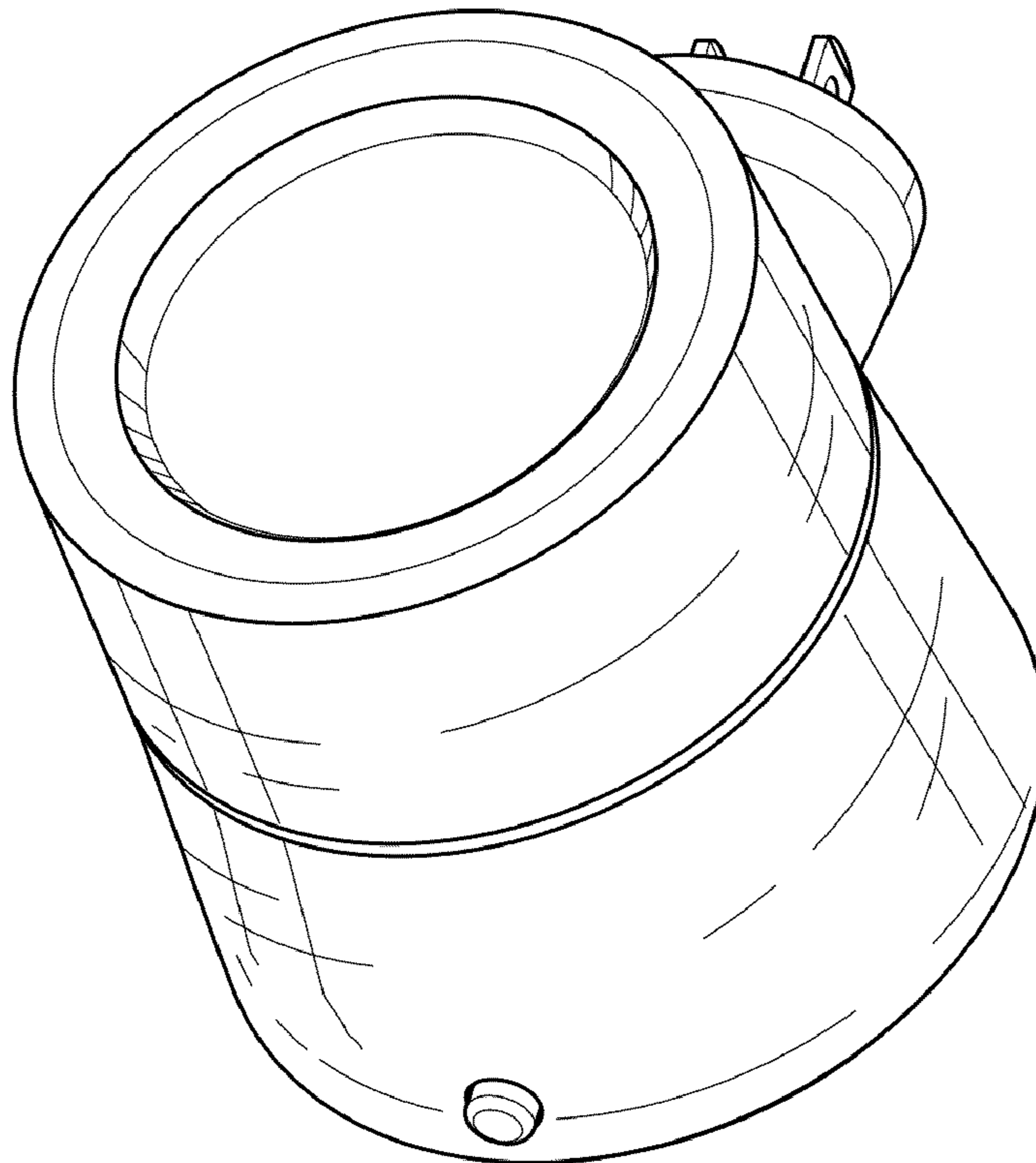
(57) **CLAIM**

The ornamental design for a plug-in scent warmer, as shown and described.

DESCRIPTION

FIG. 1 is a perspective view of a plug-in scent warmer showing my new design;
FIG. 2 is a front view thereof;
FIG. 3 is a rear view thereof;
FIG. 4 is a left side view thereof;
FIG. 5 is a right side view thereof;
FIG. 6 is a top view thereof; and,
FIG. 7 is a bottom view thereof.

1 Claim, 7 Drawing Sheets



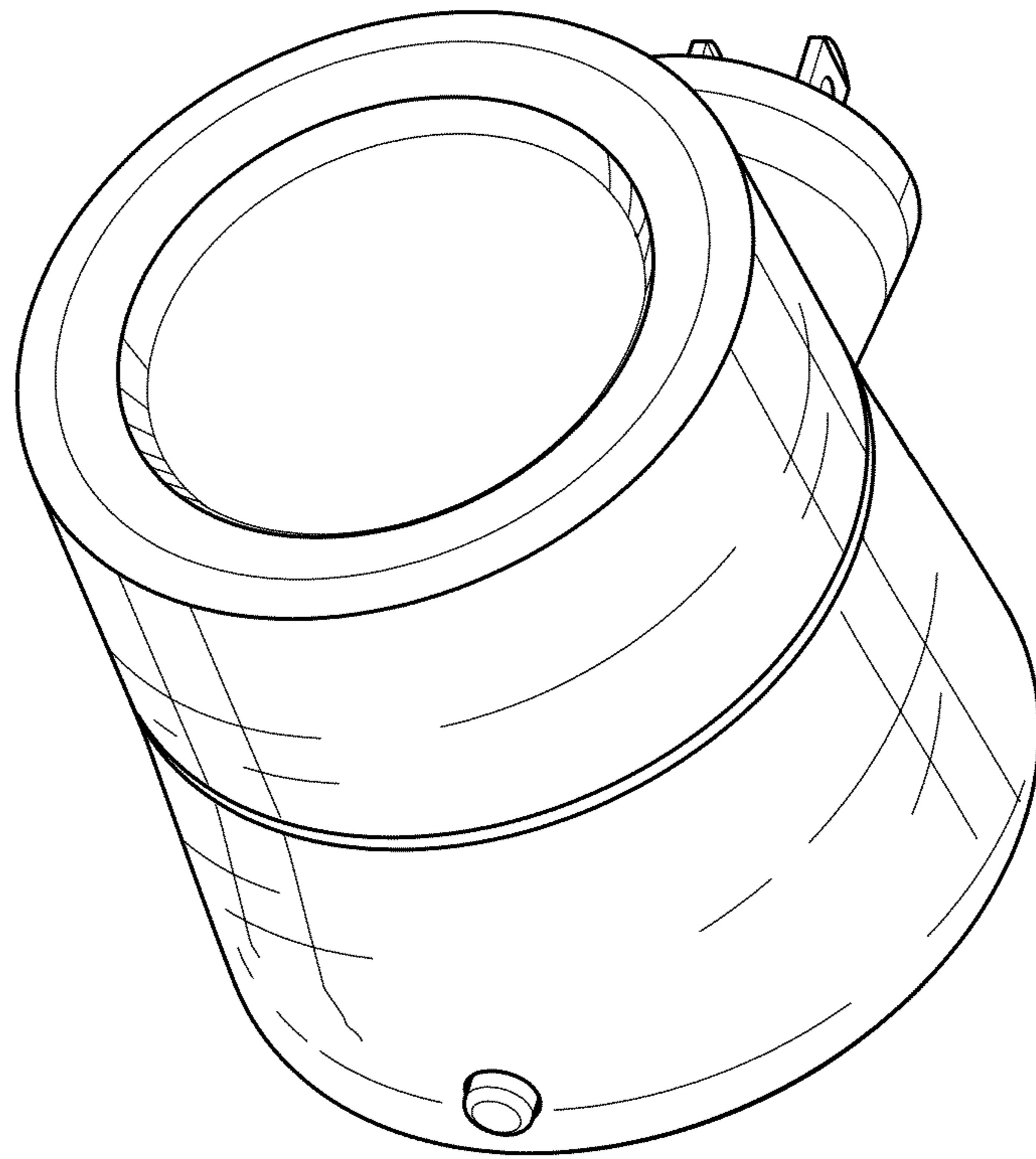


FIG. 1

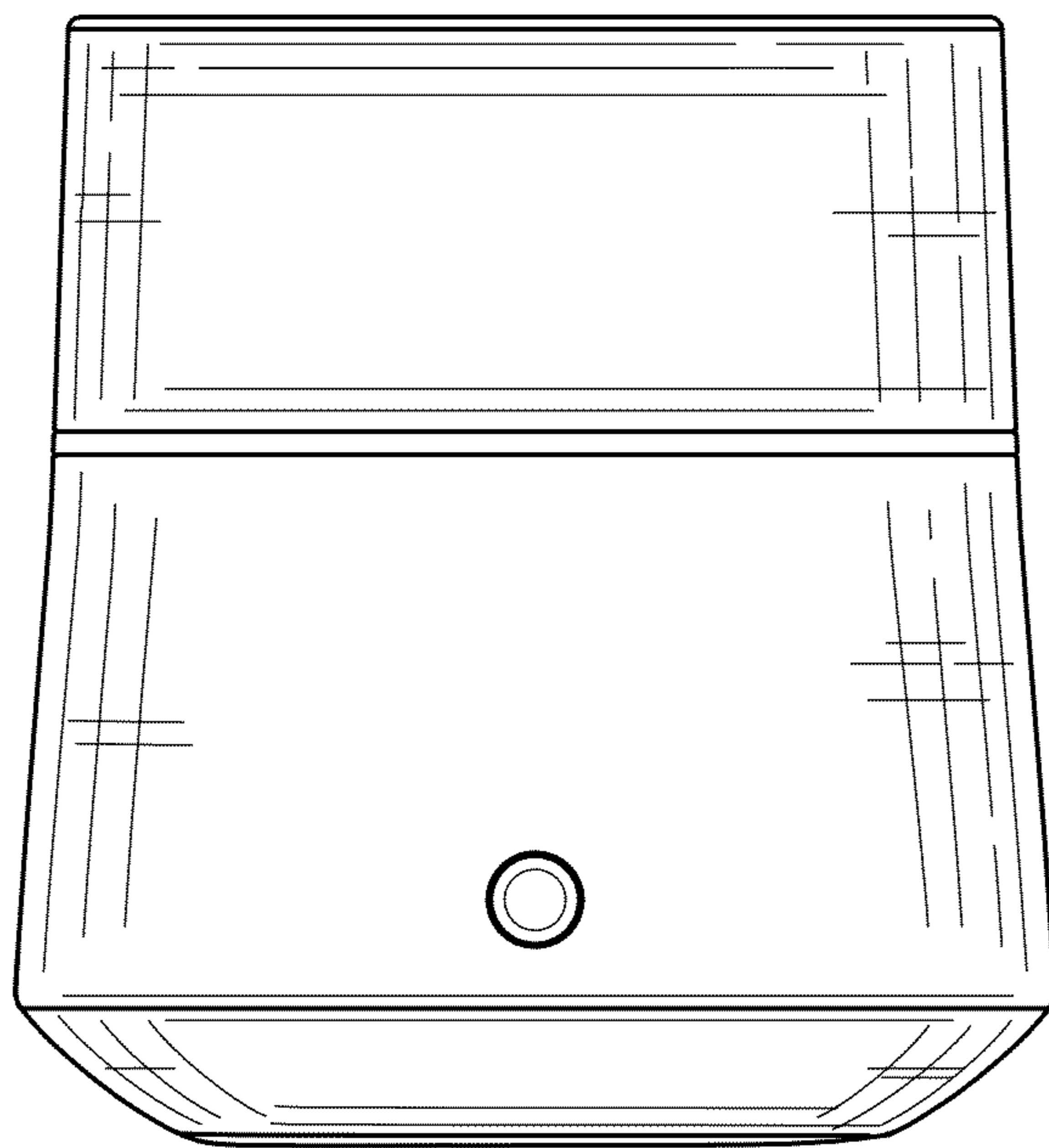


FIG. 2

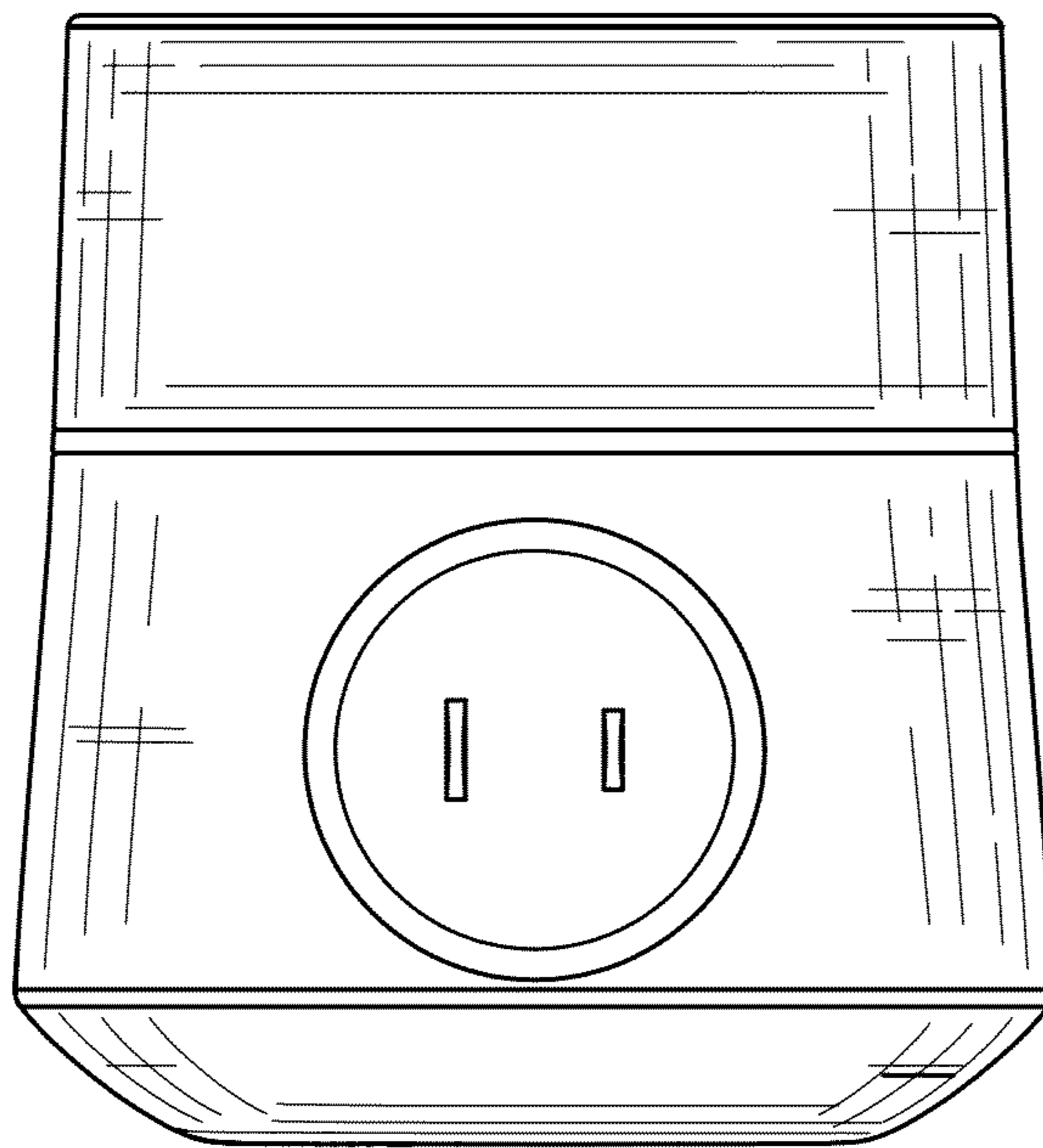


FIG. 3

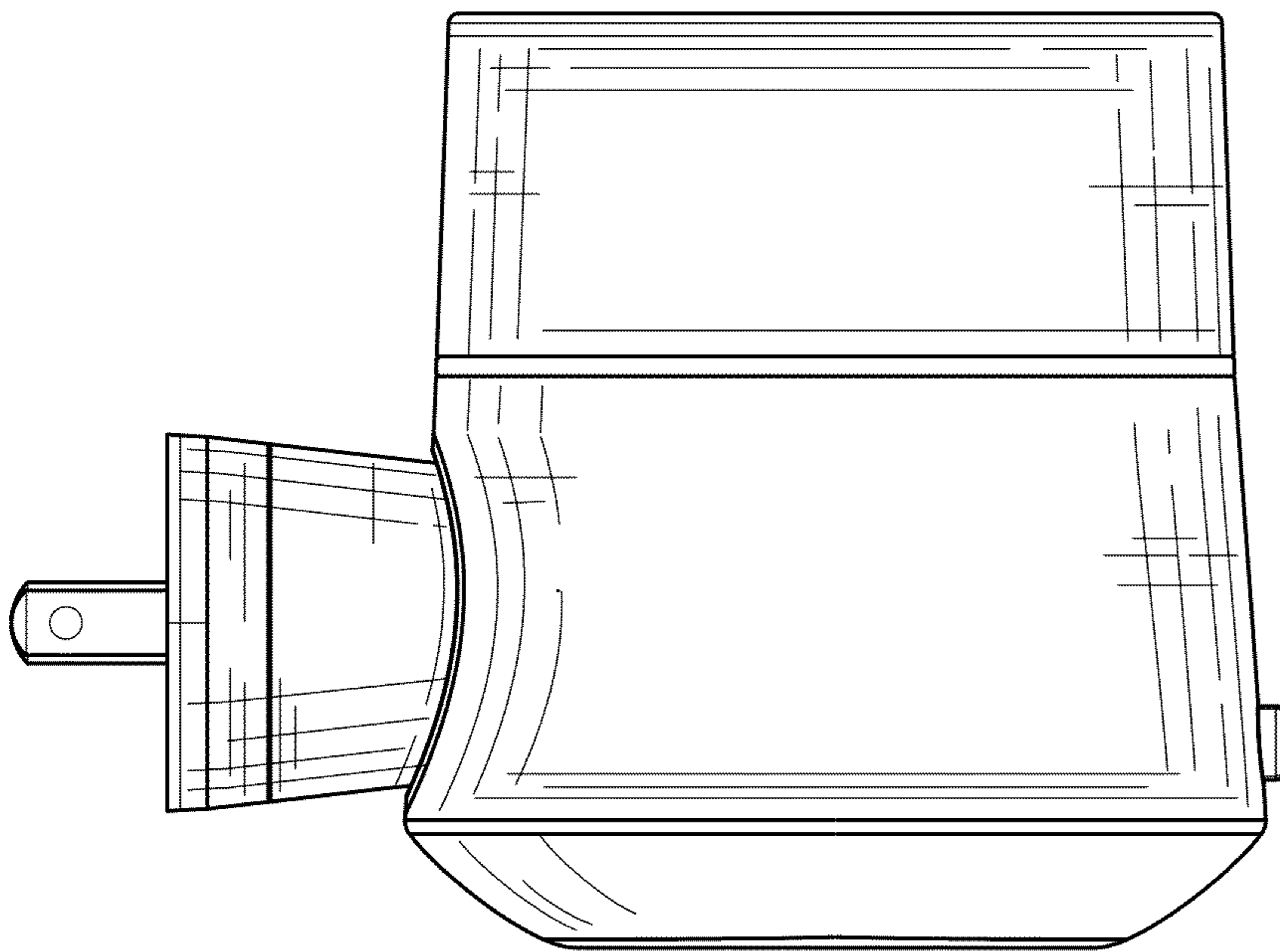


FIG. 4

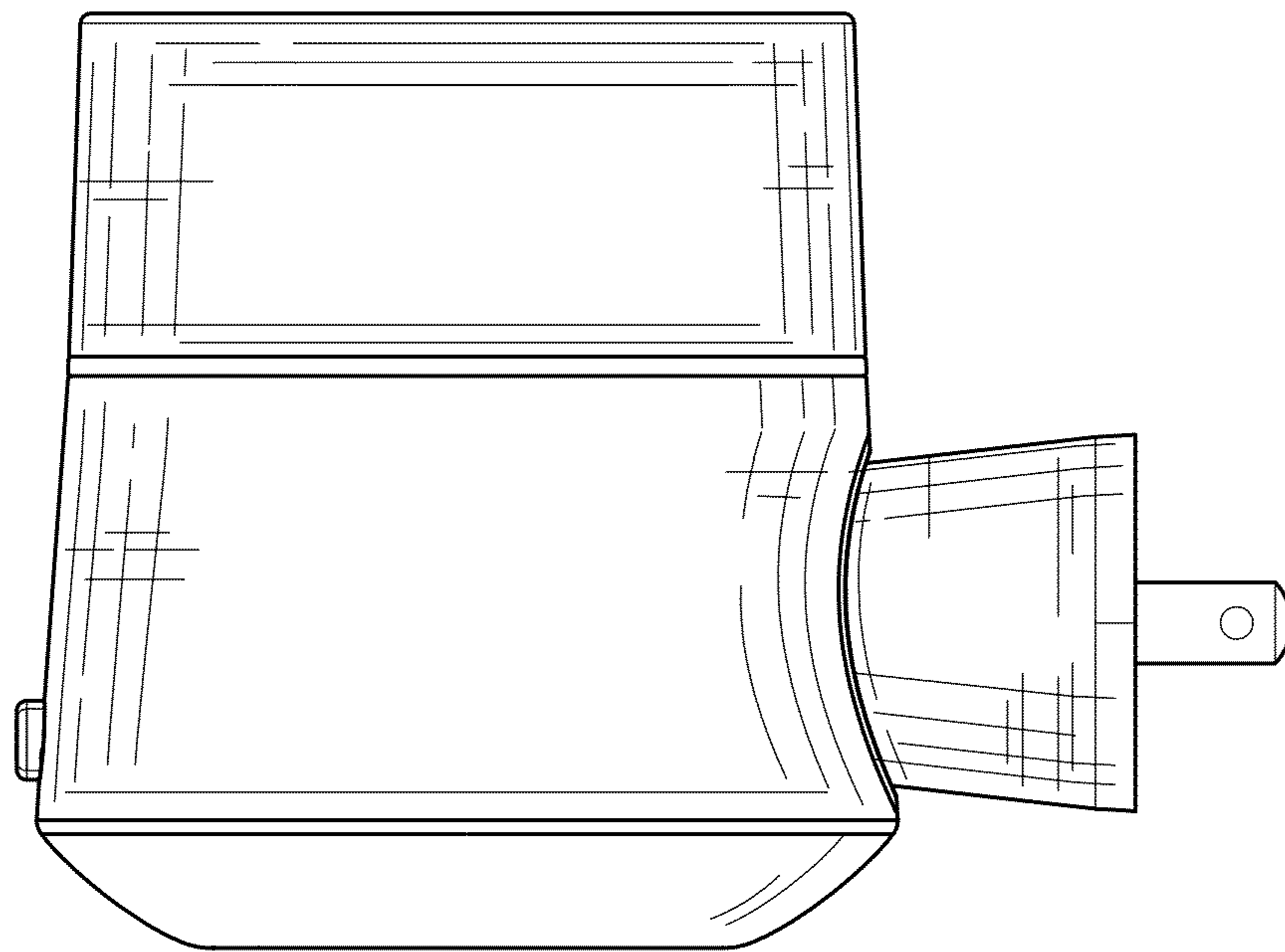


FIG. 5

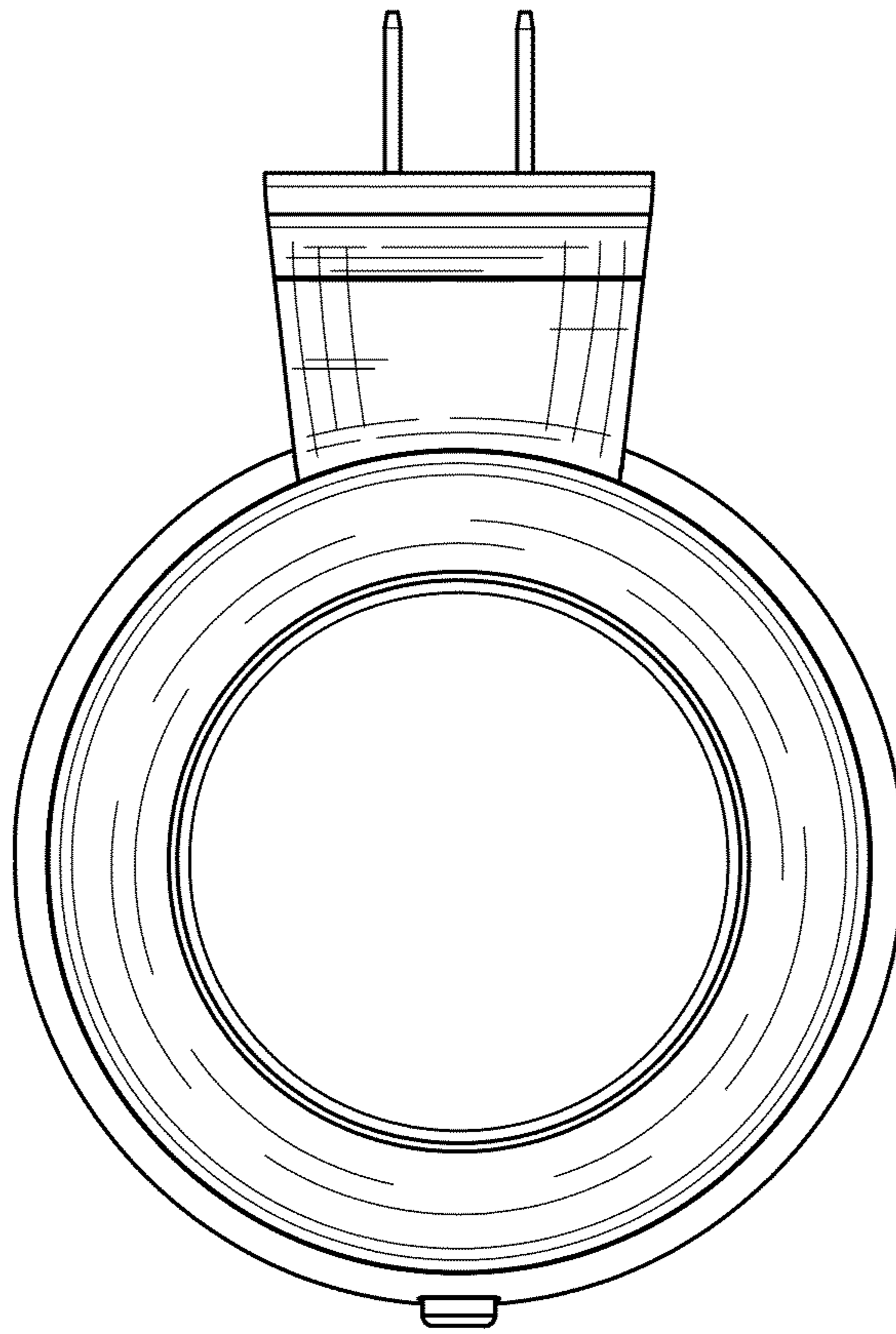


FIG. 6

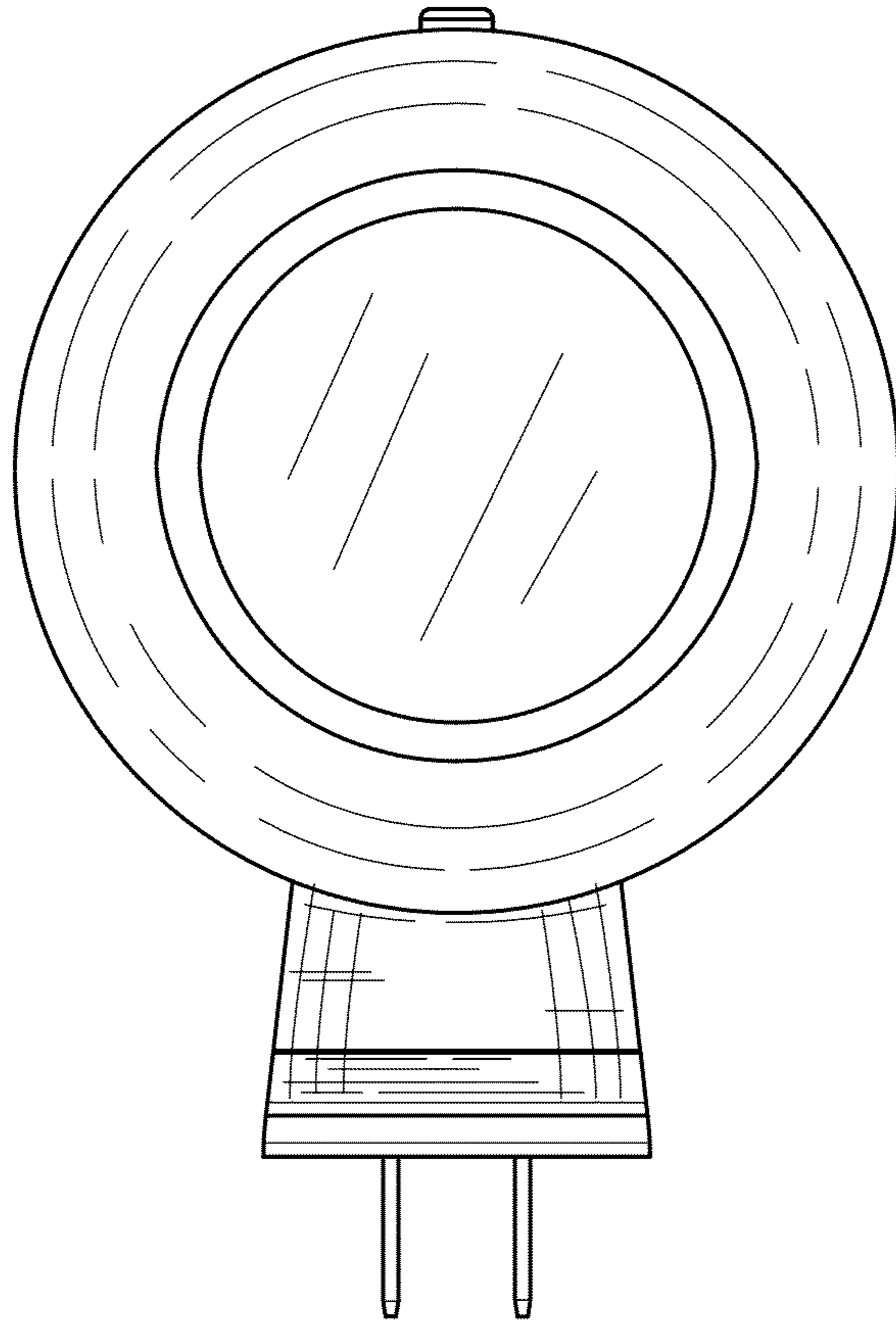


FIG. 7