



US00D729923S

(12) **United States Design Patent**
Chou

(10) **Patent No.:** **US D729,923 S**

(45) **Date of Patent:** **** May 19, 2015**

(54) **SCENT WARMER**

(71) Applicant: **Ming Jen Hsiao**, Miaoli County (TW)

(72) Inventor: **Cheng Yen Chou**, Taipei (TW)

(73) Assignee: **Ming Jen Hsiao**, Miaoli County (TW)

(**) Term: **14 Years**

(21) Appl. No.: **29/509,651**

(22) Filed: **Nov. 19, 2014**

(51) **LOC (10) Cl.** **28-99**

(52) **U.S. Cl.**
USPC **D23/366**

(58) **Field of Classification Search**
USPC D23/355-369; D28/5, 6; 261/DIG. 17,
261/DIG. 42, DIG. 65, DIG. 88, DIG. 89;
392/386, 390, 394, 395, 397; 239/34,
239/44, 53, 55, 56, 326; D7/509, 510, 535
See application file for complete search history.

(56) **References Cited**

U.S. PATENT DOCUMENTS

D289,722 S *	5/1987	Neiser	D7/624.1
D462,997 S *	9/2002	Slater et al.	D19/85
D471,406 S *	3/2003	Wellner	D7/584
D540,620 S *	4/2007	Bushkovsky	D7/509
D540,623 S *	4/2007	Schreiber-Pethan et al. ..	D7/584
D544,593 S *	6/2007	Yamamoto	D23/366
D548,014 S *	8/2007	Kell	D7/584
D548,317 S *	8/2007	Newton et al.	D23/366

D564,844 S *	3/2008	Schreiber-Pethan et al. ..	D7/586
D582,063 S *	12/2008	Spangler et al.	D26/9
D582,580 S *	12/2008	Spangler et al.	D26/9
D583,451 S *	12/2008	Aloe et al.	D23/366
D597,192 S *	7/2009	Drucker et al.	D23/366
D609,318 S *	2/2010	Lam	D23/356
D613,844 S *	4/2010	Jorgensen	D23/366
D620,576 S *	7/2010	Jorgensen	D23/366
D620,577 S *	7/2010	Hsiao	D23/366
D658,444 S *	5/2012	Krasovec Pogorelcnik ...	D7/509
D661,948 S *	6/2012	Bangert	D7/535
D675,304 S *	1/2013	Valentino et al.	D23/366
D685,608 S *	7/2013	Bangert	D7/509
D696,761 S *	12/2013	Jorgensen	D23/366
D696,892 S *	1/2014	Bretillot	D7/316

* cited by examiner

Primary Examiner — Sandra Snapp

(74) *Attorney, Agent, or Firm* — Ming Chow; Sinorica, LLC

(57) **CLAIM**

The ornamental design for a scent warmer, as shown and described.

DESCRIPTION

FIG. 1 is a perspective view of a scent warmer showing my new design;

FIG. 2 is a front view thereof;

FIG. 3 is a rear view thereof;

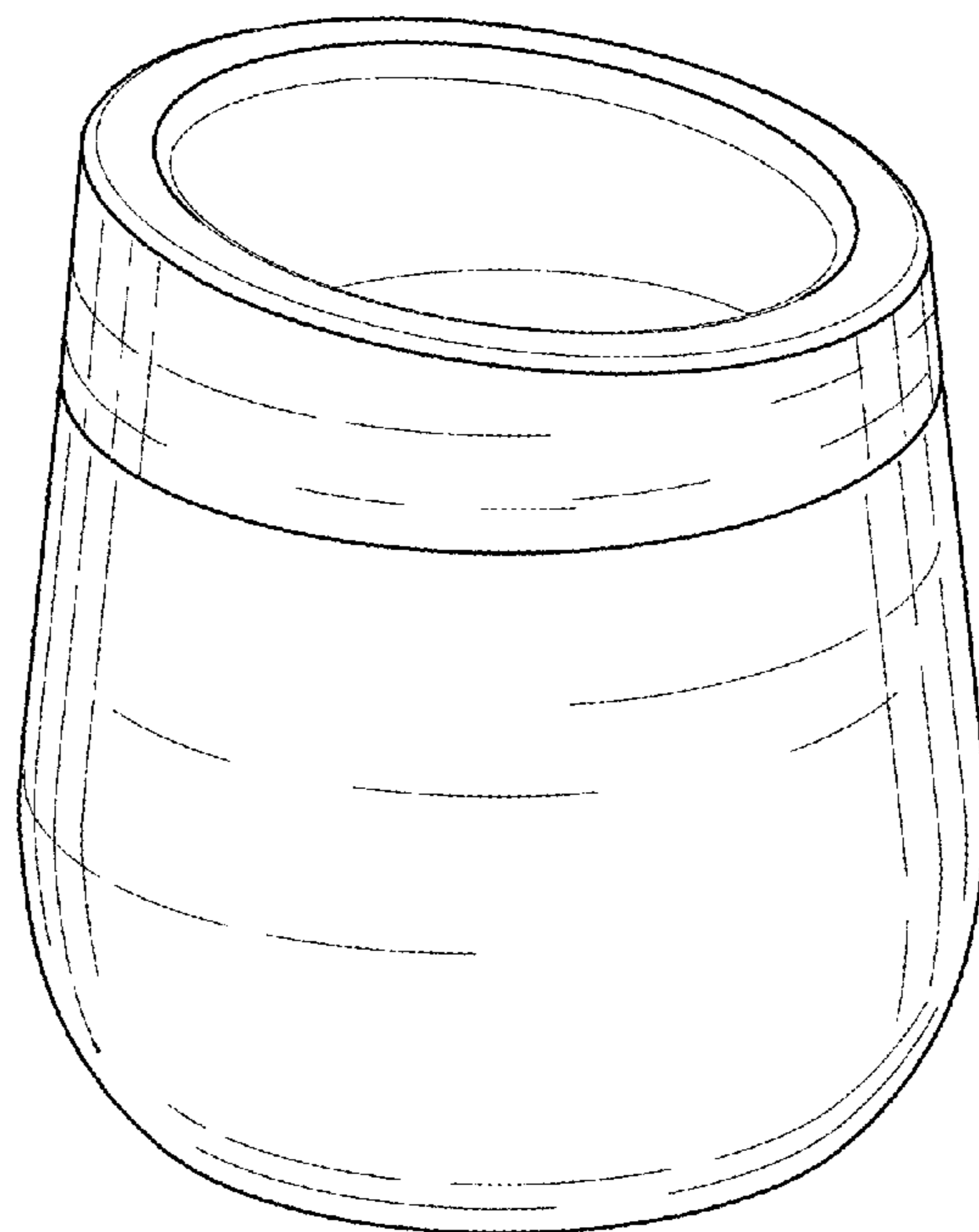
FIG. 4 is a left side view thereof;

FIG. 5 is a right side view thereof;

FIG. 6 is a top view thereof; and,

FIG. 7 is a bottom view thereof.

1 Claim, 7 Drawing Sheets



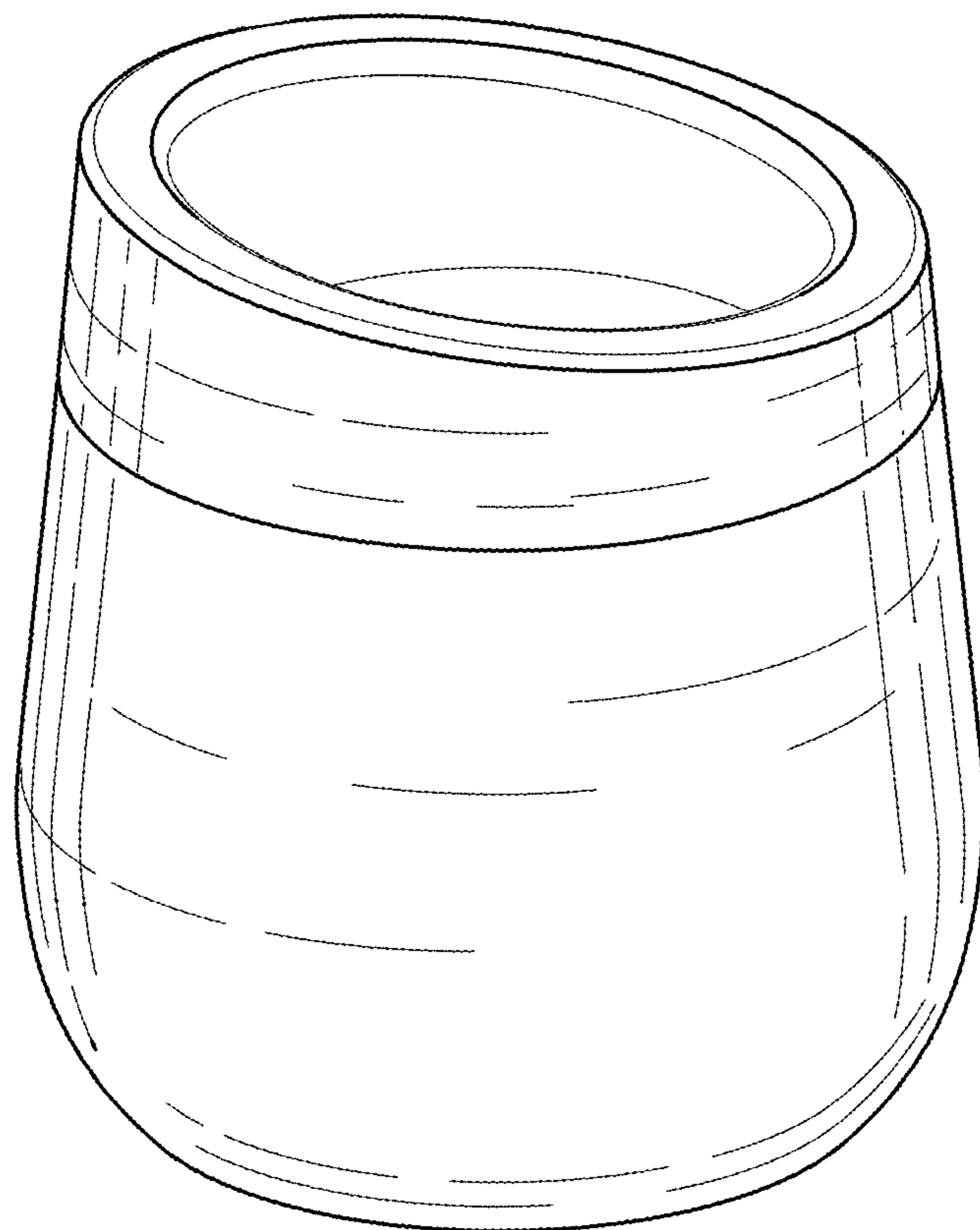


FIG. 1

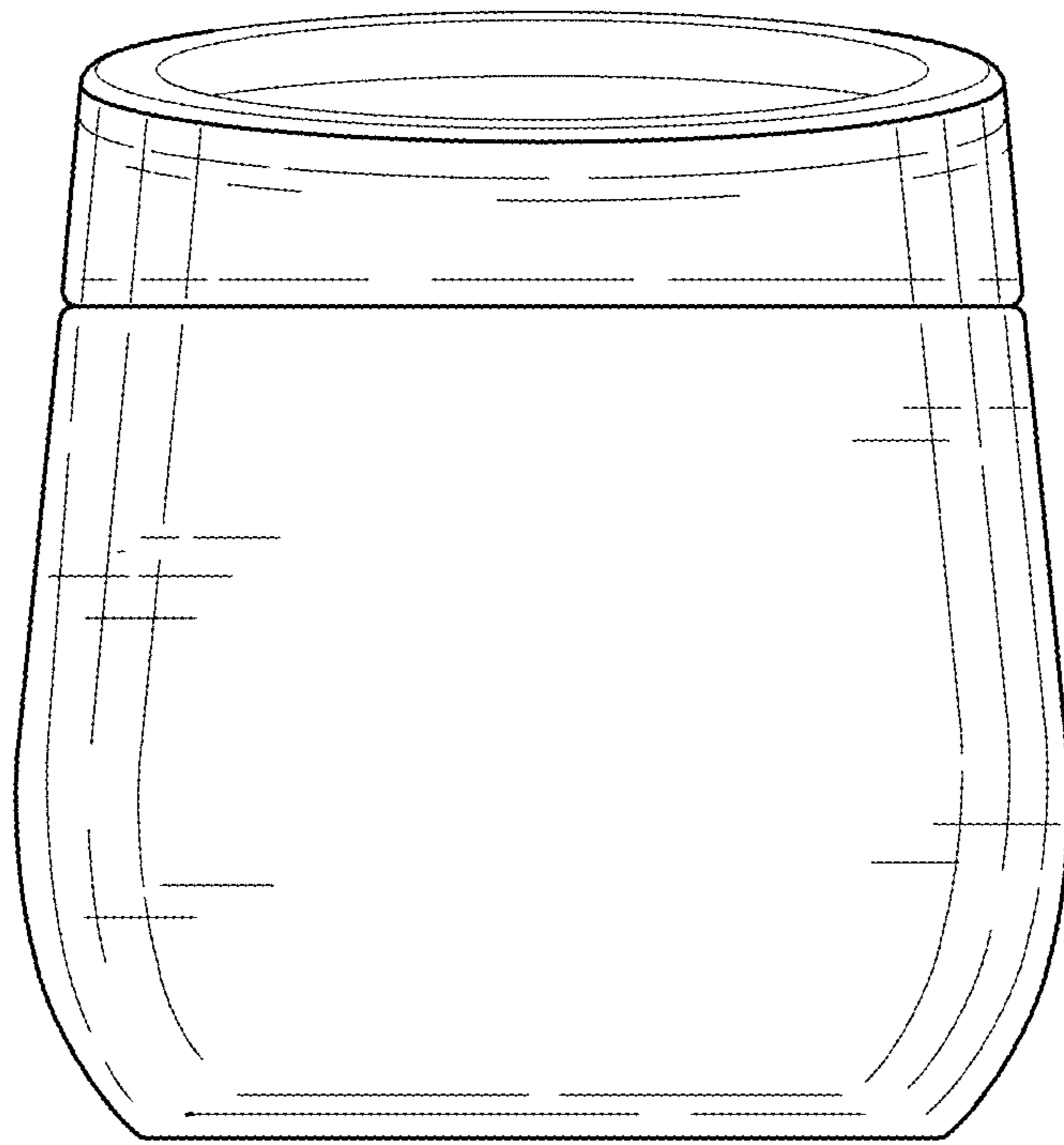


FIG. 2

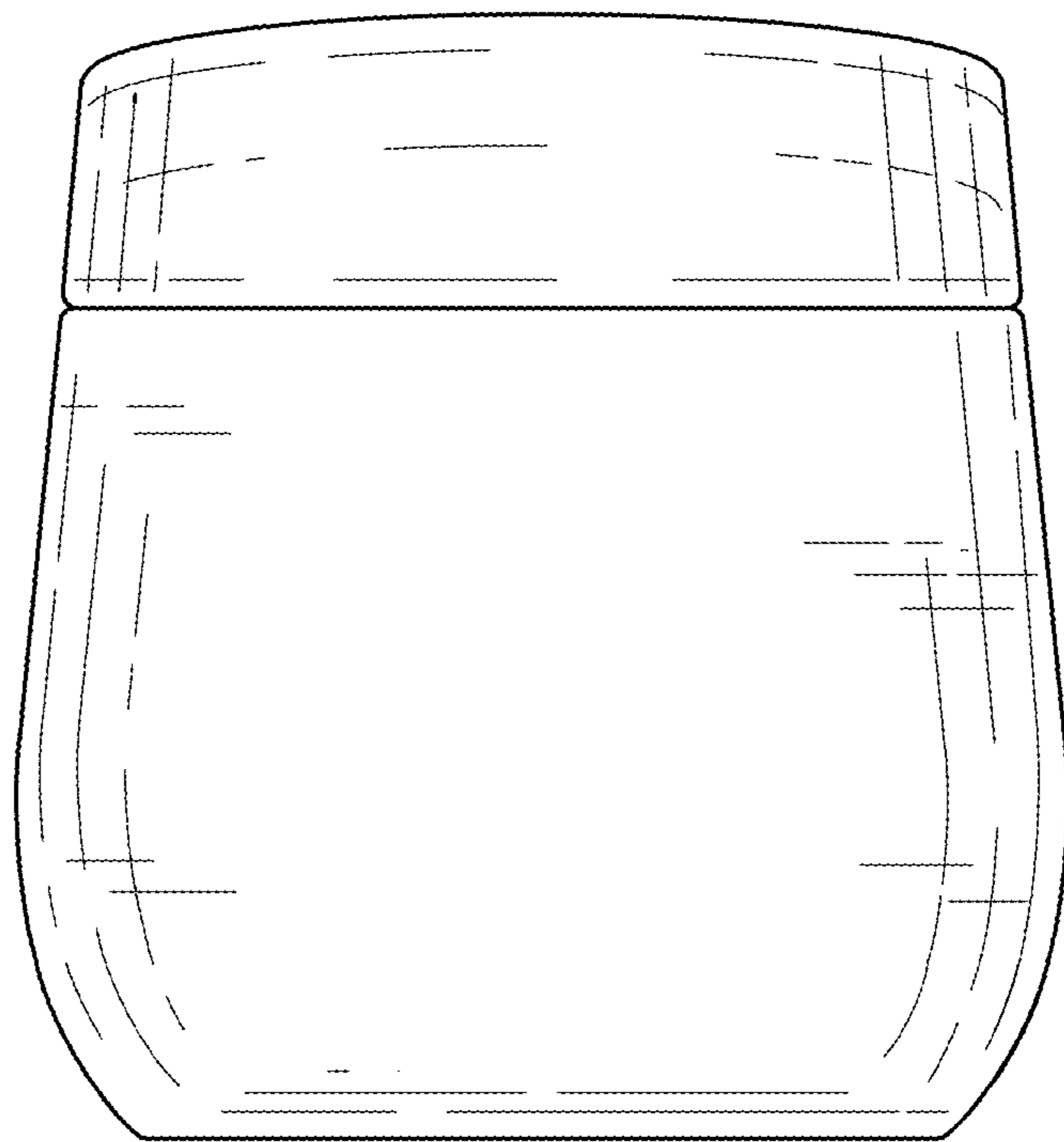


FIG. 3

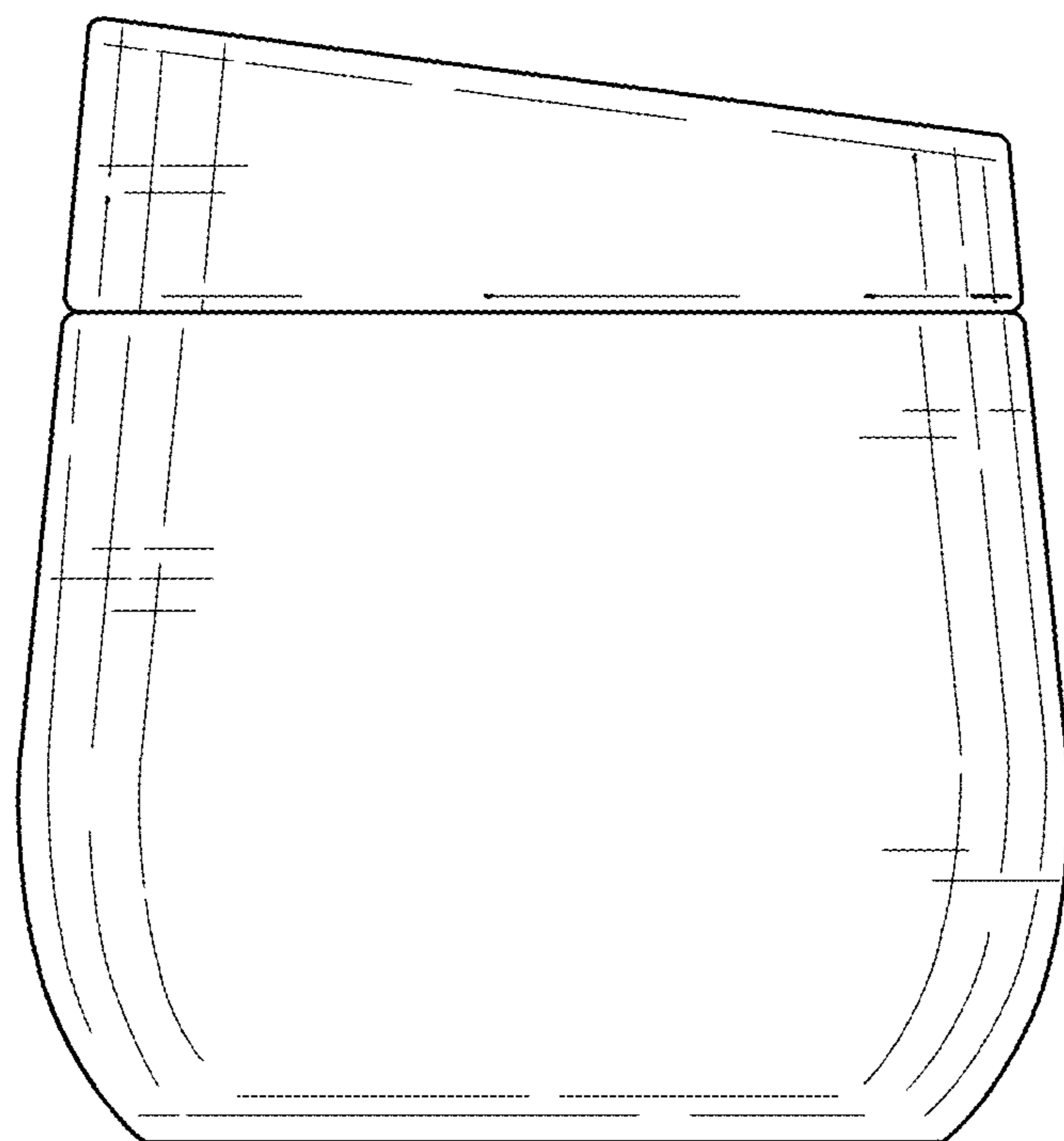


FIG. 4

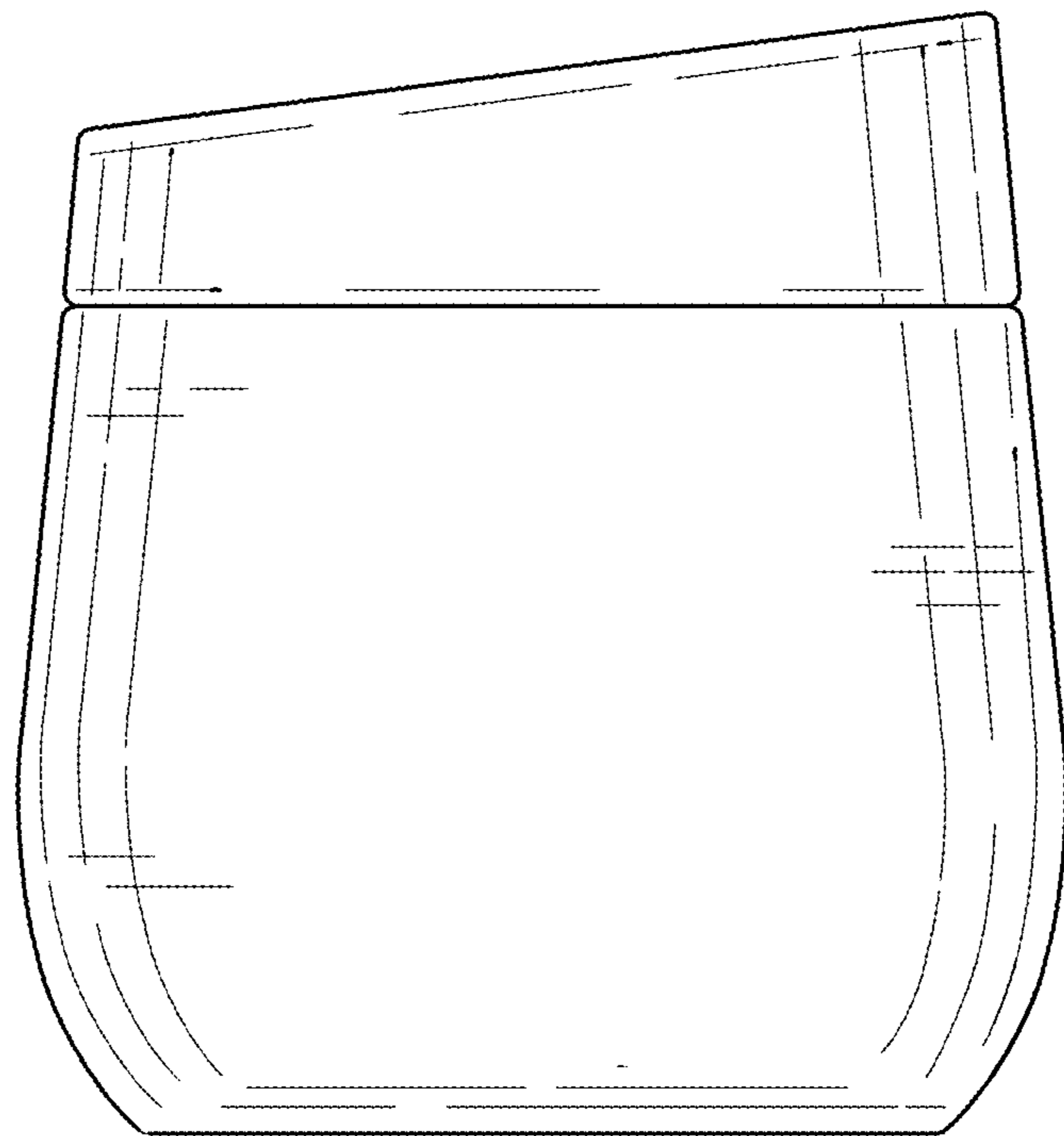


FIG. 5

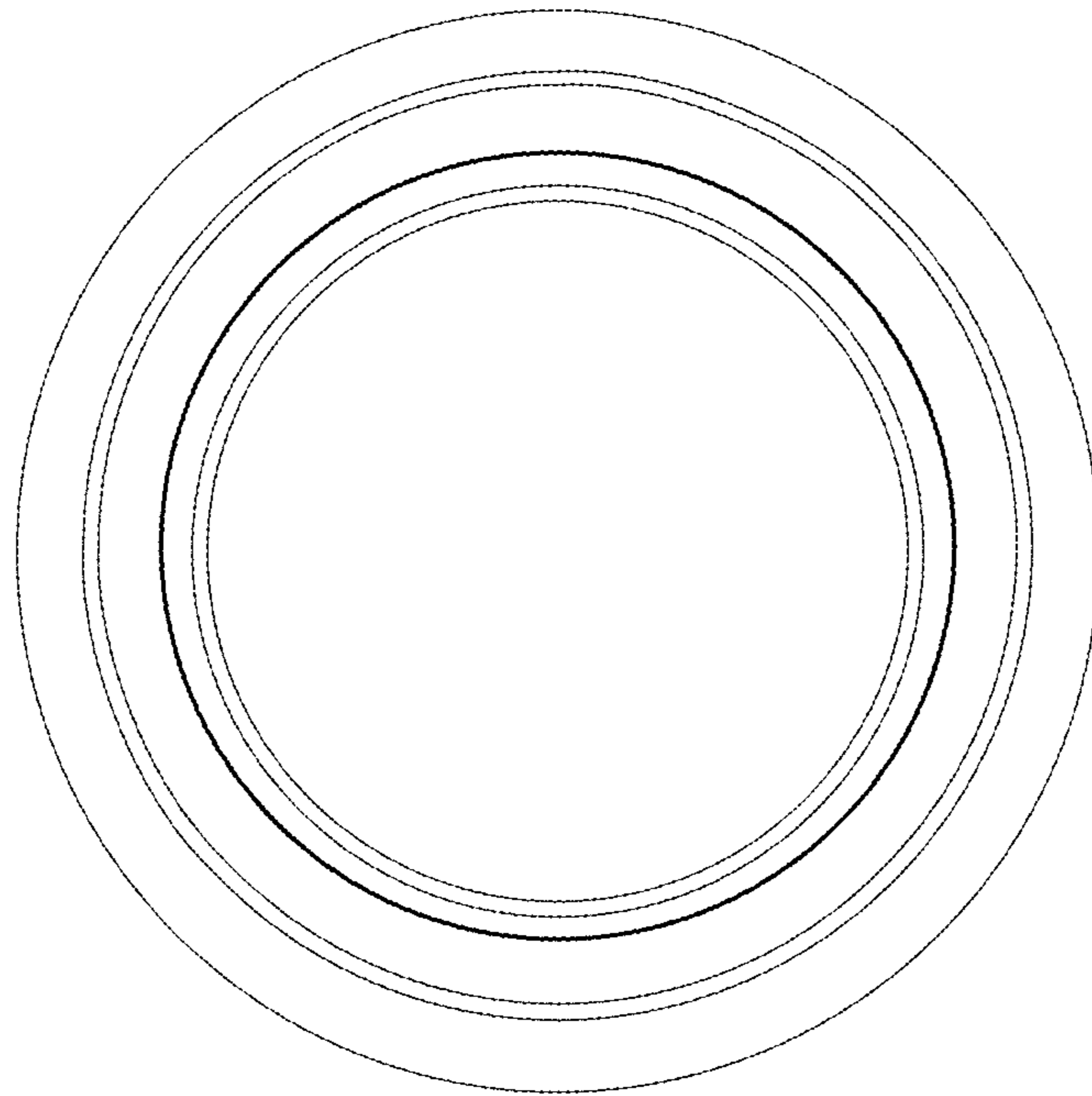


FIG. 6

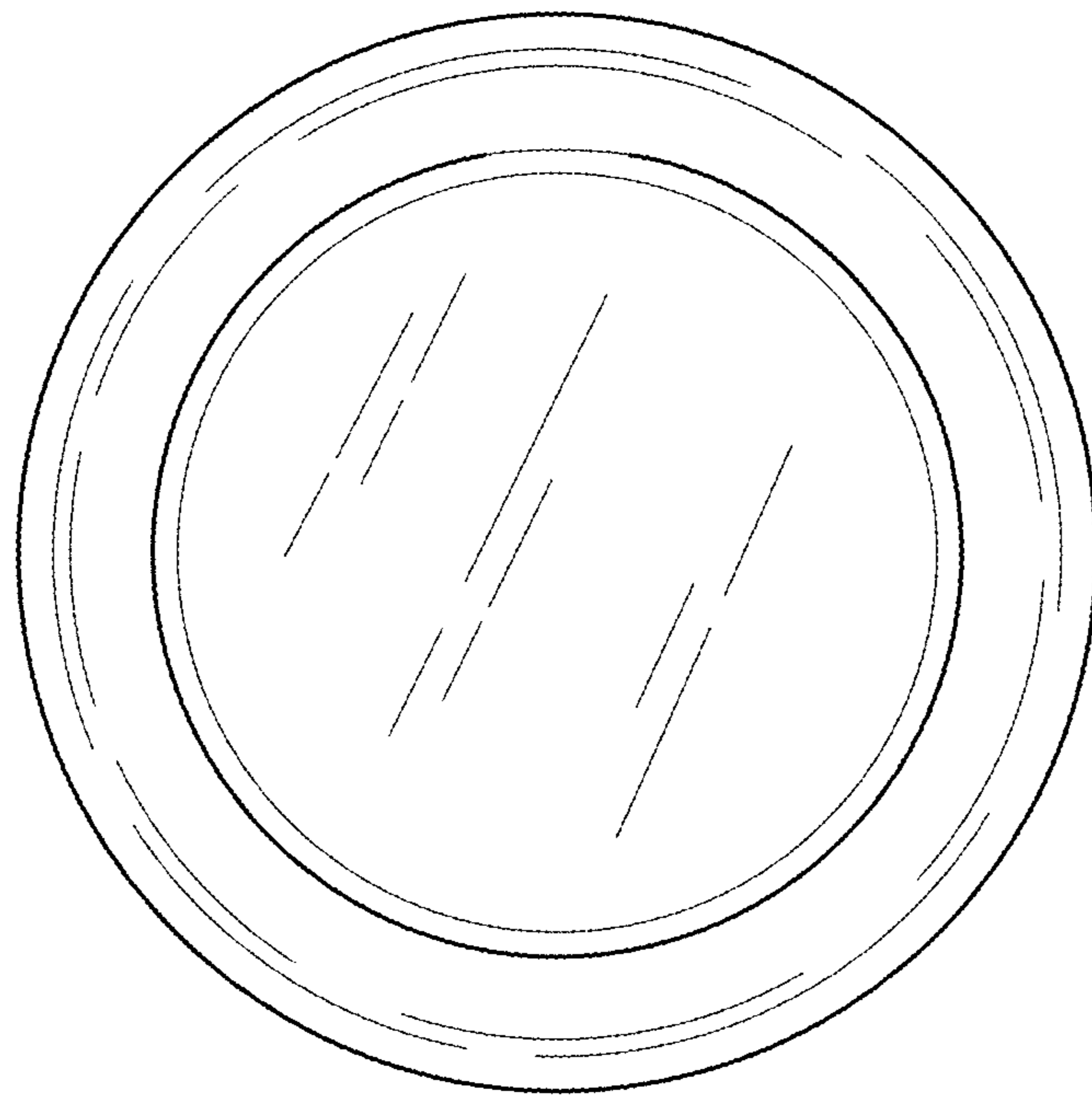


FIG. 7