



US00D729922S

(12) **United States Design Patent**
Lin

(10) **Patent No.:** **US D729,922 S**
(45) **Date of Patent:** **** May 19, 2015**

(54) **CONTAINER FOR STICK FRAGRANCE
DIFFUSERS**

(71) Applicant: **Ming Jen Hsiao**, Miaoli County (TW)

(72) Inventor: **Fen Ju Lin**, Taipei (TW)

(73) Assignee: **Ming Jen Hsiao**, Miaoli County (TW)

(**) Term: **14 Years**

(21) Appl. No.: **29/504,233**

(22) Filed: **Oct. 3, 2014**

(51) **LOC (10) CI.** **28-99**

(52) **U.S. CI.**
USPC **D23/366**

(58) **Field of Classification Search**
USPC D23/355-369; D28/5, 6; 261/DIG. 17,
261/DIG. 42, DIG. 65, DIG. 88, DIG. 89;
392/386, 390, 394, 395, 397; 239/34,
239/44, 53, 55, 56, 326
See application file for complete search history.

(56) **References Cited**

U.S. PATENT DOCUMENTS

2,755,954	A	*	7/1956	Anritter	220/4.21
D434,481	S	*	11/2000	Bornstein et al.	D23/366
D505,479	S	*	5/2005	Burgeson	D22/125
D545,956	S	*	7/2007	Mattan et al.	D23/366
D596,732	S	*	7/2009	Butler et al.	D23/366
D605,746	S	*	12/2009	Butler et al.	D23/366
D620,574	S	*	7/2010	Jorgensen	D23/366
D649,629	S	*	11/2011	Ritzenhoff	D23/366
D651,703	S	*	1/2012	Ritzenhoff	D23/366

D651,704	S	*	1/2012	Ritzenhoff	D23/366
D652,131	S	*	1/2012	Ritzenhoff	D23/366
D661,789	S	*	6/2012	Brown	D23/366
8,235,308	B2	*	8/2012	Gaines et al.	239/44
D693,449	S	*	11/2013	Wolf	D23/366
D711,525	S	*	8/2014	Sanders et al.	D23/366
2008/0217425	A1	*	9/2008	Butler et al.	239/45
2008/0308648	A1	*	12/2008	Pesu	239/44
2009/0101729	A1	*	4/2009	Newman	239/44

* cited by examiner

Primary Examiner — Sandra Snapp

(74) *Attorney, Agent, or Firm* — Ming Chow; Sinorica, LLC

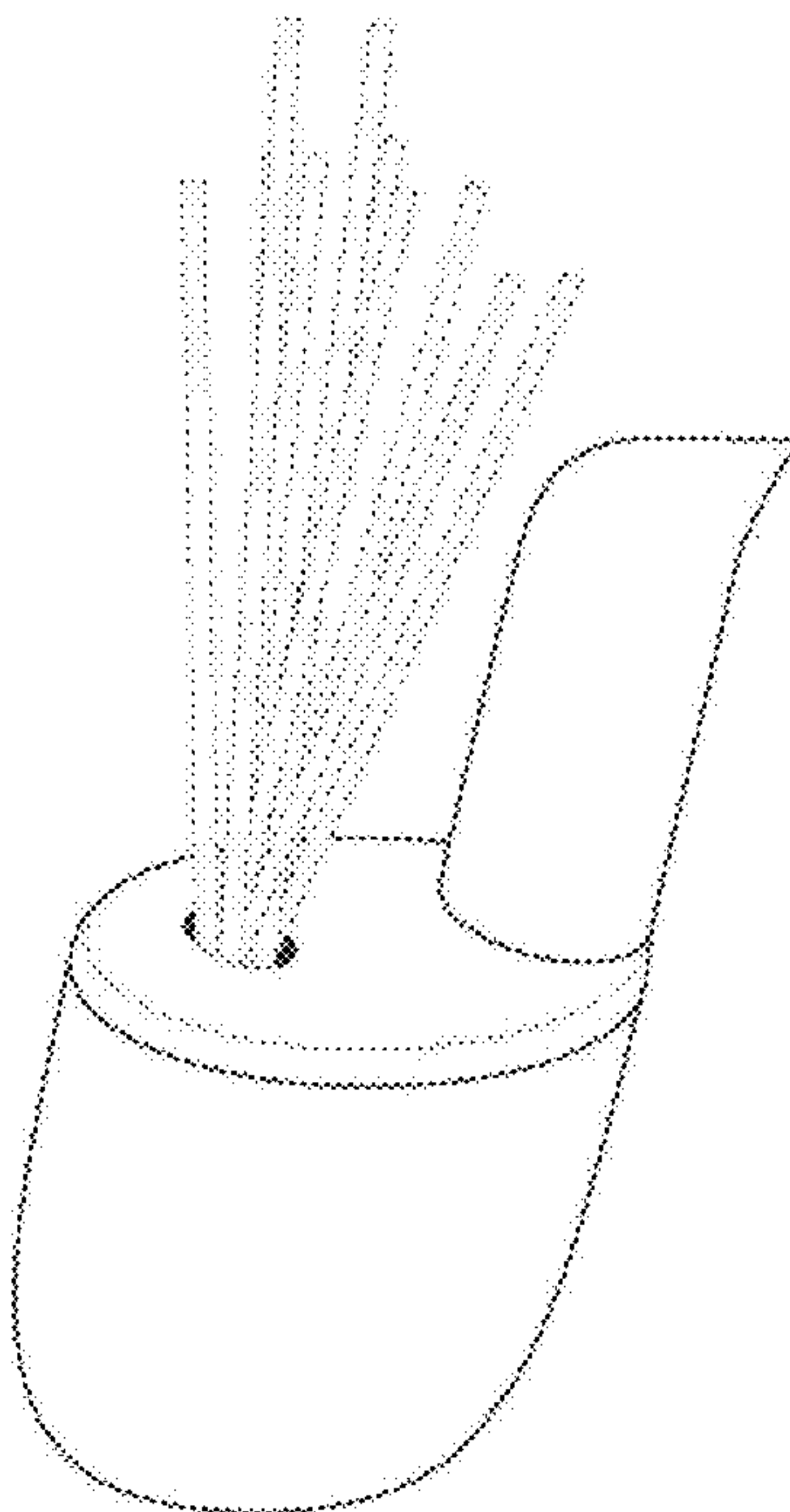
(57) **CLAIM**

The ornamental design for a container for stick fragrance diffusers, as shown and described.

DESCRIPTION

FIG. 1 is a perspective view of a container for stick fragrance diffusers showing my new design;
FIG. 2 is a front view thereof;
FIG. 3 is a rear view thereof;
FIG. 4 is a left side view thereof;
FIG. 5 is a right side view thereof;
FIG. 6 is a top view thereof;
FIG. 7 is a bottom view thereof; and,
FIG. 8 is a perspective view; the sticks are shown in dashed lines for illustrative purposes only and form no part of the present invention.
The broken lines in the drawings are for illustrative purposes only and form no part of the claimed design.

1 Claim, 7 Drawing Sheets



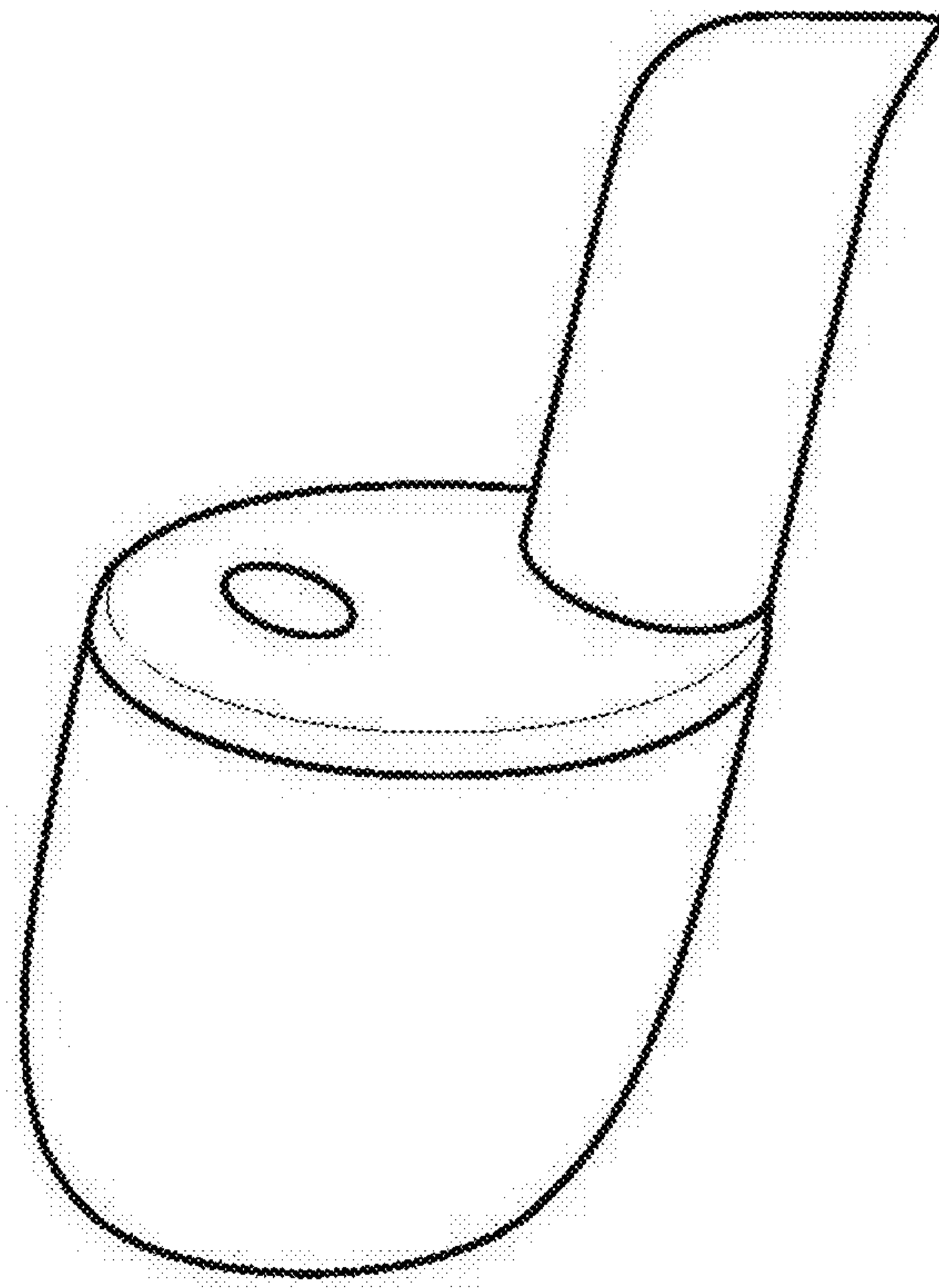


FIG. 1

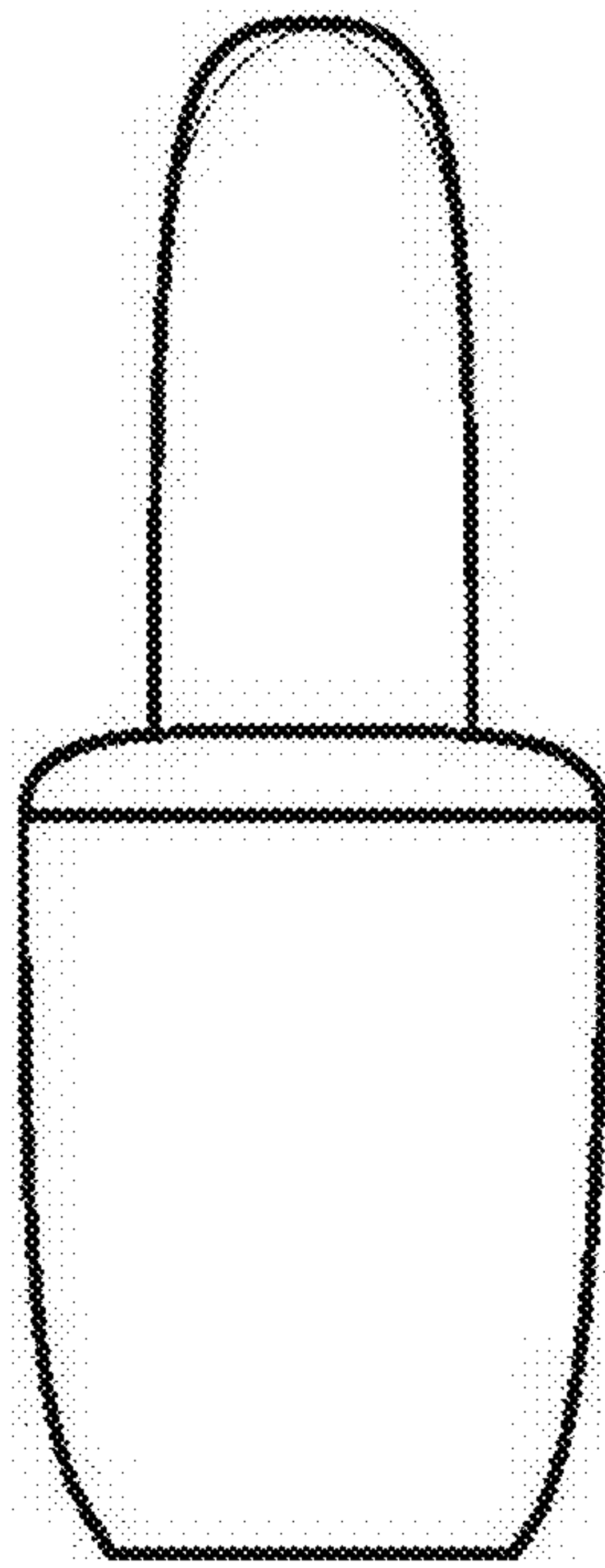


FIG. 2

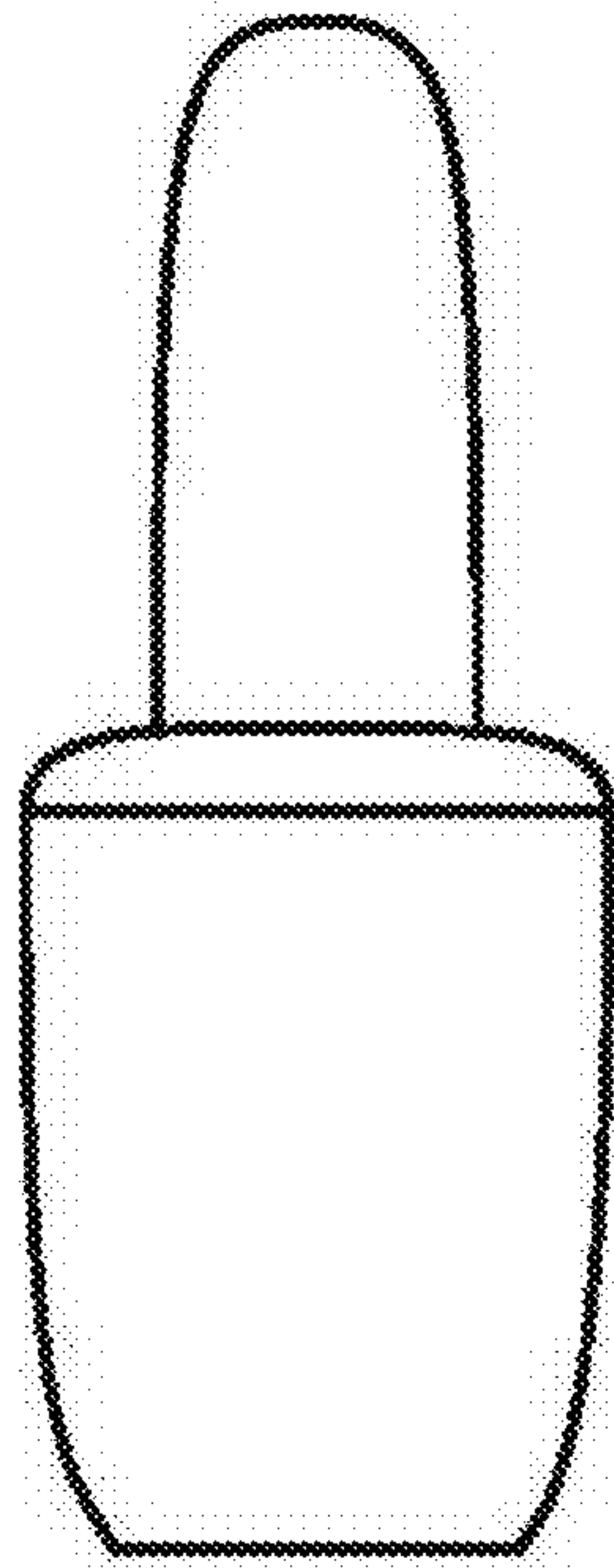


FIG. 3

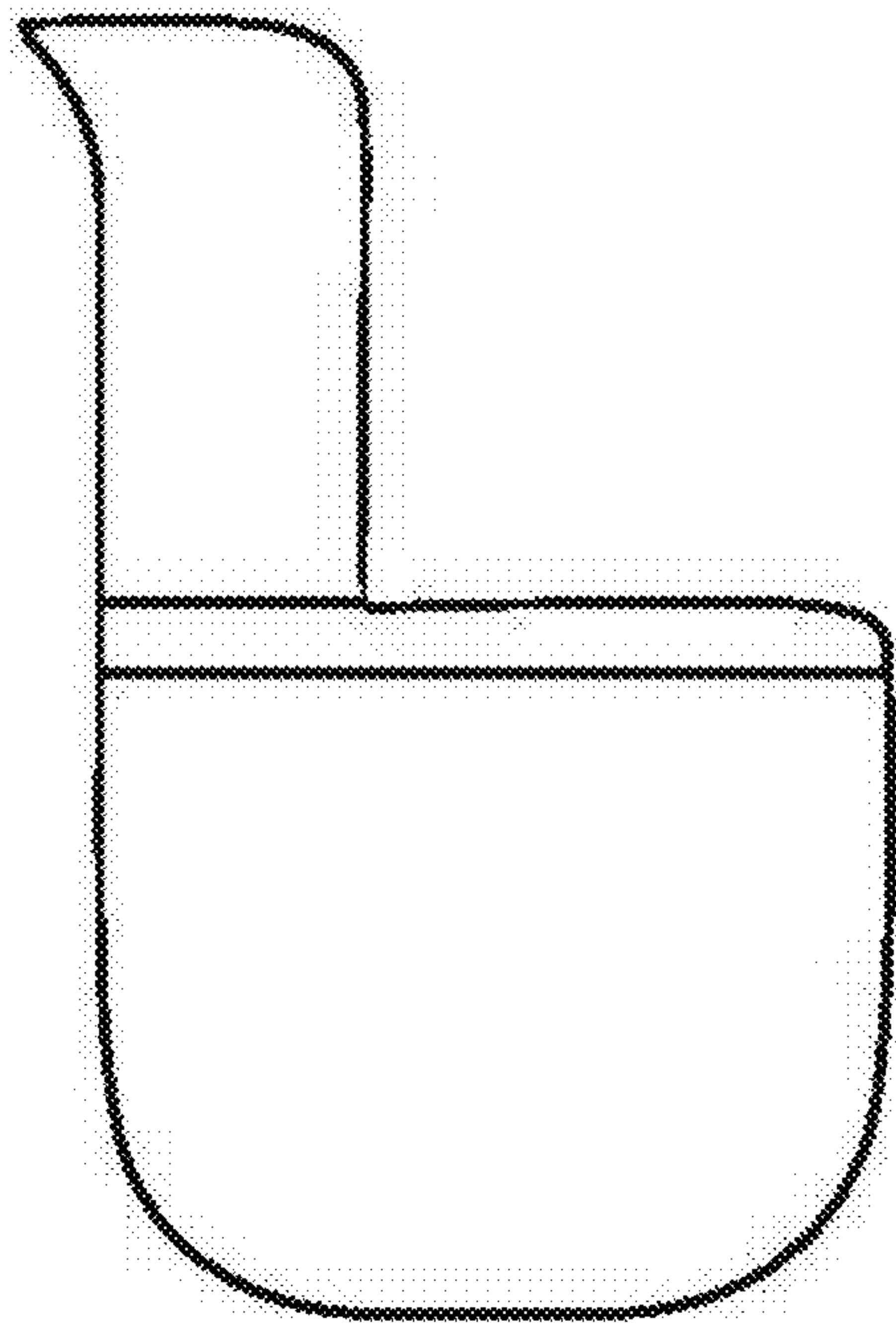


FIG. 4

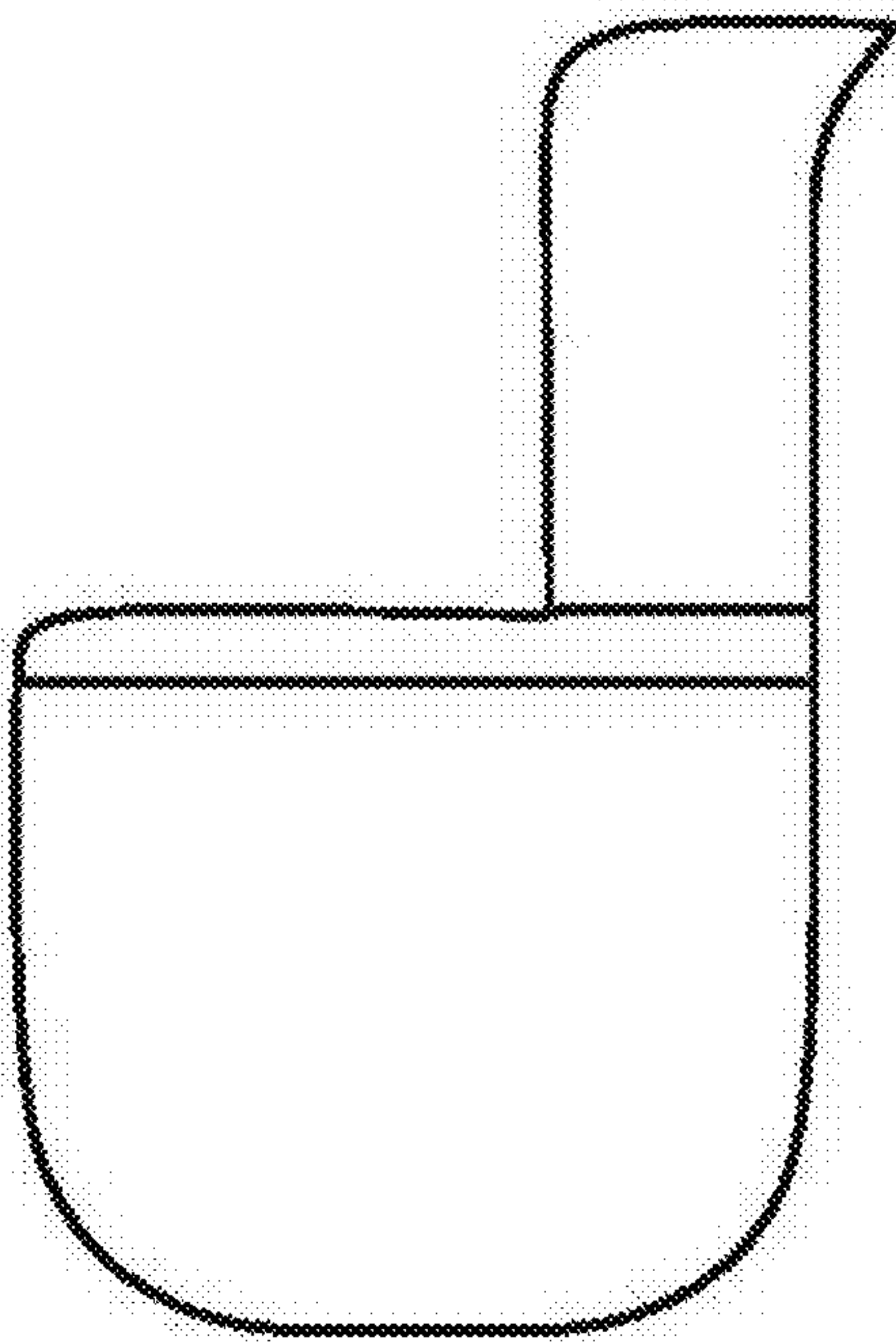


FIG. 5

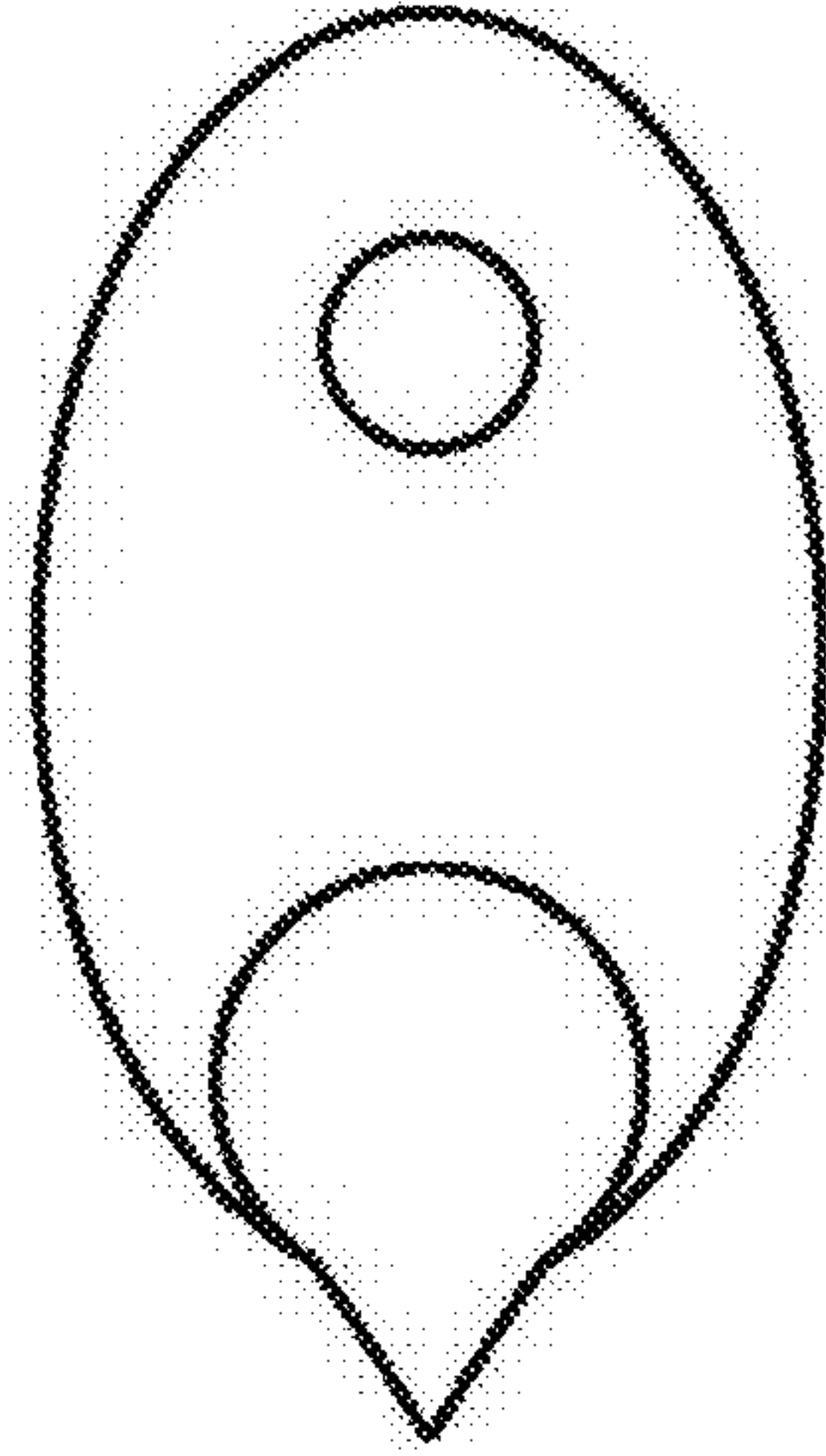


FIG. 6

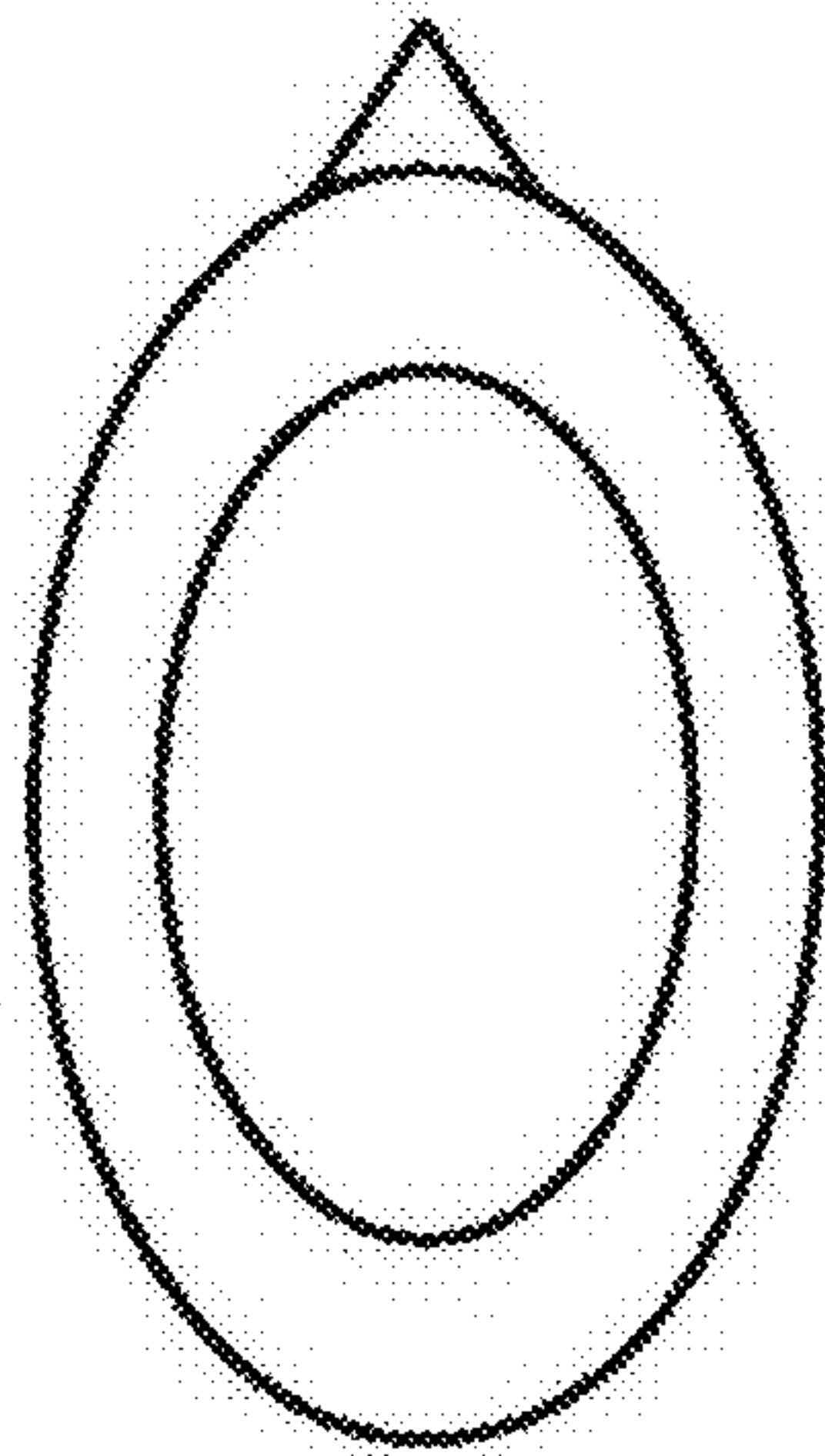


FIG. 7

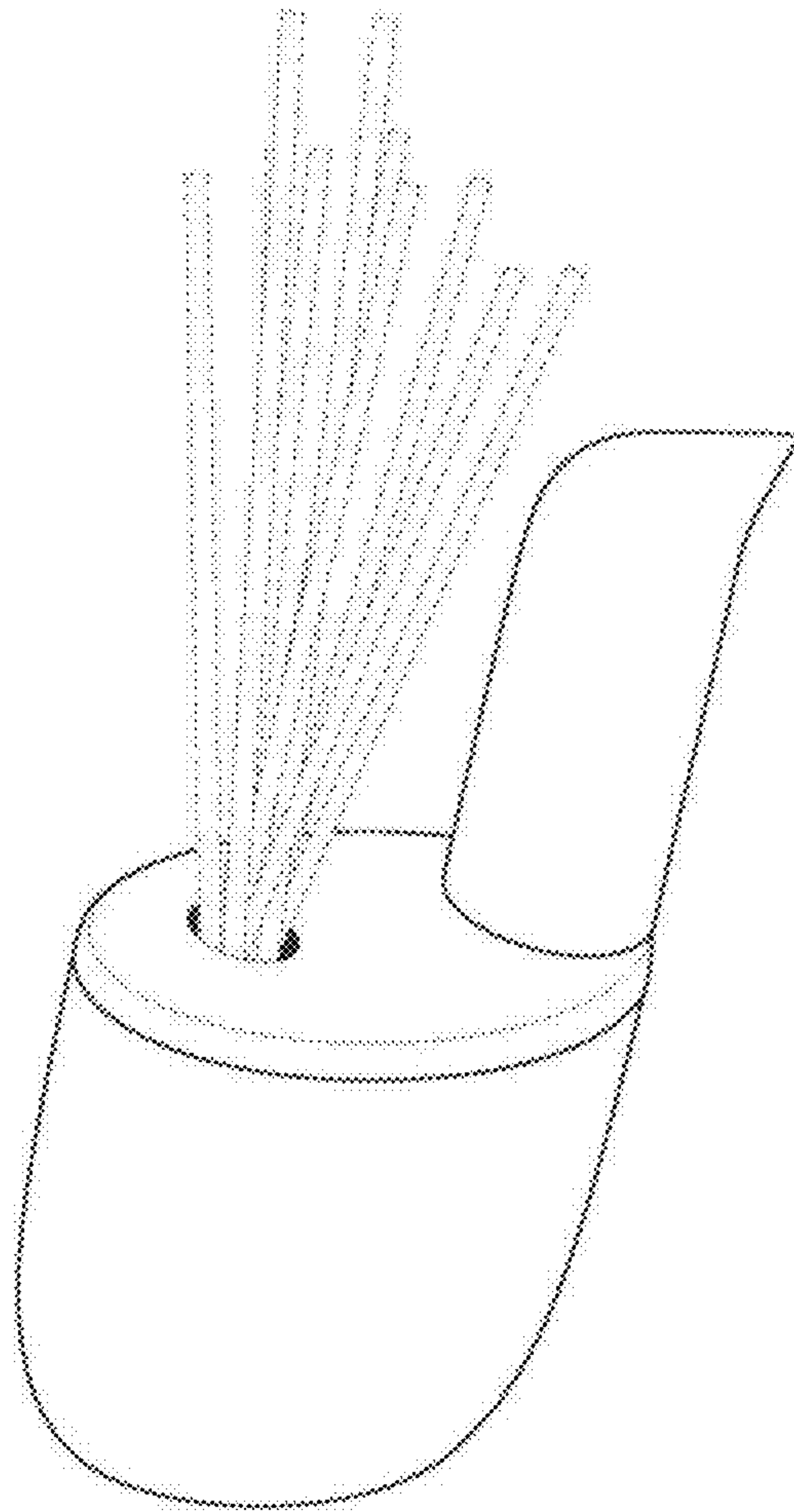


FIG. 8