



US00D729914S

(12) **United States Design Patent**  
**Kinchen et al.**

(10) **Patent No.:** **US D729,914 S**

(45) **Date of Patent:** **\*\* May 19, 2015**

(54) **FIRE BOX**

(71) Applicants: **Austin Kinchen**, Campbell, MO (US);  
**Andy Kinchen**, Campbell, MO (US)

(72) Inventors: **Austin Kinchen**, Campbell, MO (US);  
**Andy Kinchen**, Campbell, MO (US)

(\*\*) Term: **14 Years**

(21) Appl. No.: **29/455,311**

(22) Filed: **May 20, 2013**

(51) **LOC (10) Cl.** ..... **23-03**

(52) **U.S. Cl.**  
USPC ..... **D23/332**

(58) **Field of Classification Search**  
USPC ..... D23/317, 314, 332, 333, 334, 335, 337,  
D23/342, 351, 355, 378, 370, 381, 364, 336,  
D23/341, 343, 348, 401; 416/244 R, 247 R,  
416/53.1-53.3; 392/365, 367; D7/332-337,  
D7/402-405, 352; 126/519, 547-551, 190,  
126/193, 200, 224, 222, 223, 25 R

See application file for complete search history.

(56) **References Cited**

U.S. PATENT DOCUMENTS

2,928,385	A *	3/1960	Peplin	126/25 R
3,599,624	A *	8/1971	Gehring	126/15 R
4,569,327	A *	2/1986	Velten	126/25 A
D397,428	S *	8/1998	Reitsma et al.	D23/348
8,752,539	B2 *	6/2014	Paap et al.	126/25 R
8,770,184	B2 *	7/2014	Schneider	126/241
2012/0196232	A1 *	8/2012	Miller	431/2

\* cited by examiner

*Primary Examiner* — T. Chase Nelson

*Assistant Examiner* — Ania Aman

(74) *Attorney, Agent, or Firm* — Dale J. Ream

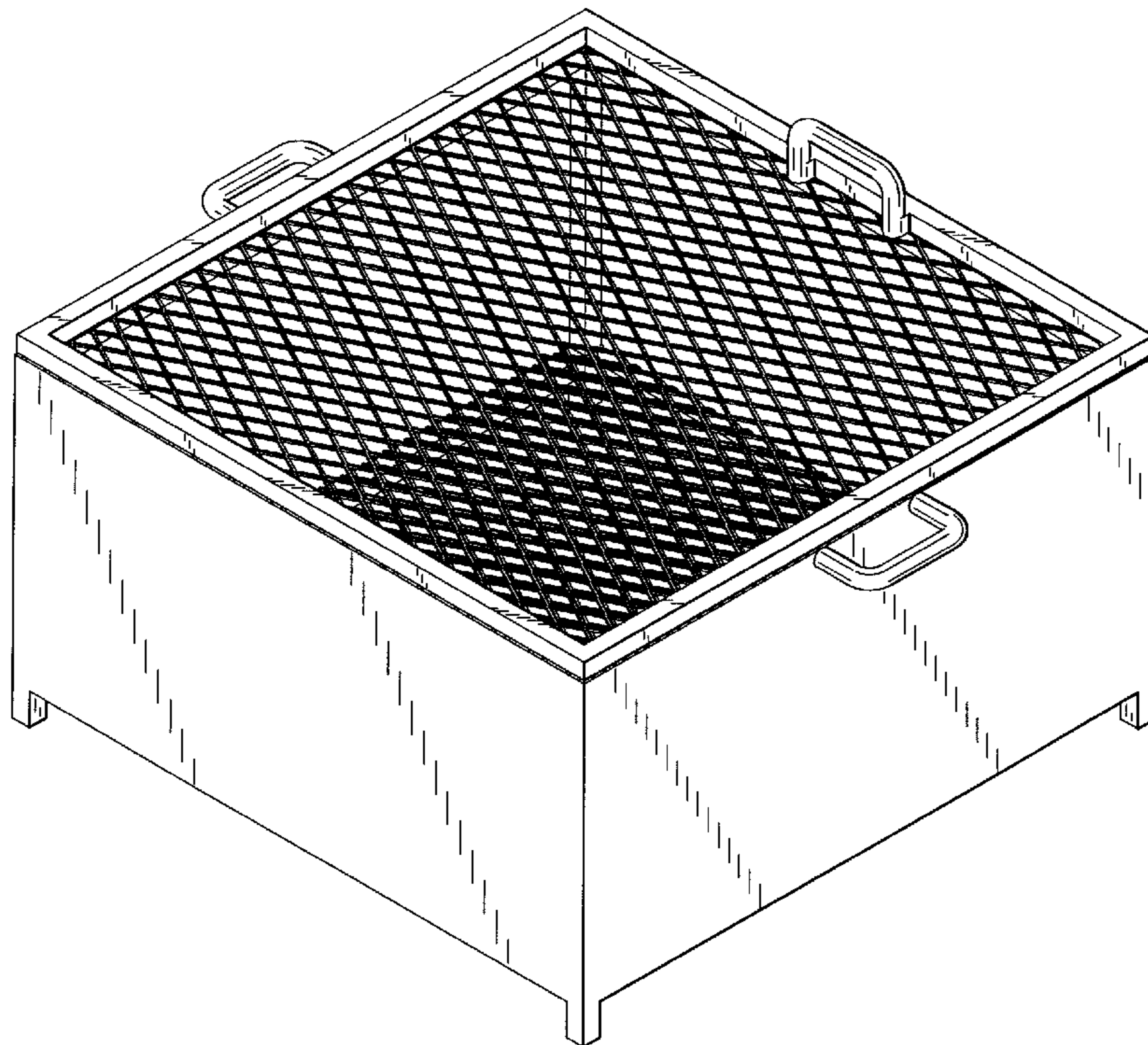
(57) **CLAIM**

The ornamental design for a fire box, as shown and described.

**DESCRIPTION**

FIG. 1 is a perspective view of a fire box showing our new design;  
FIG. 2 is a front view thereof;  
FIG. 3 is a back view thereof;  
FIG. 4 is a right side view thereof;  
FIG. 5 is a left side view thereof;  
FIG. 6 is a top view thereof;  
FIG. 7 is a bottom view thereof; and,  
FIG. 8 is perspective view of a fire box as in FIG. 1 showing the grill member in a rotated configuration.

**1 Claim, 6 Drawing Sheets**



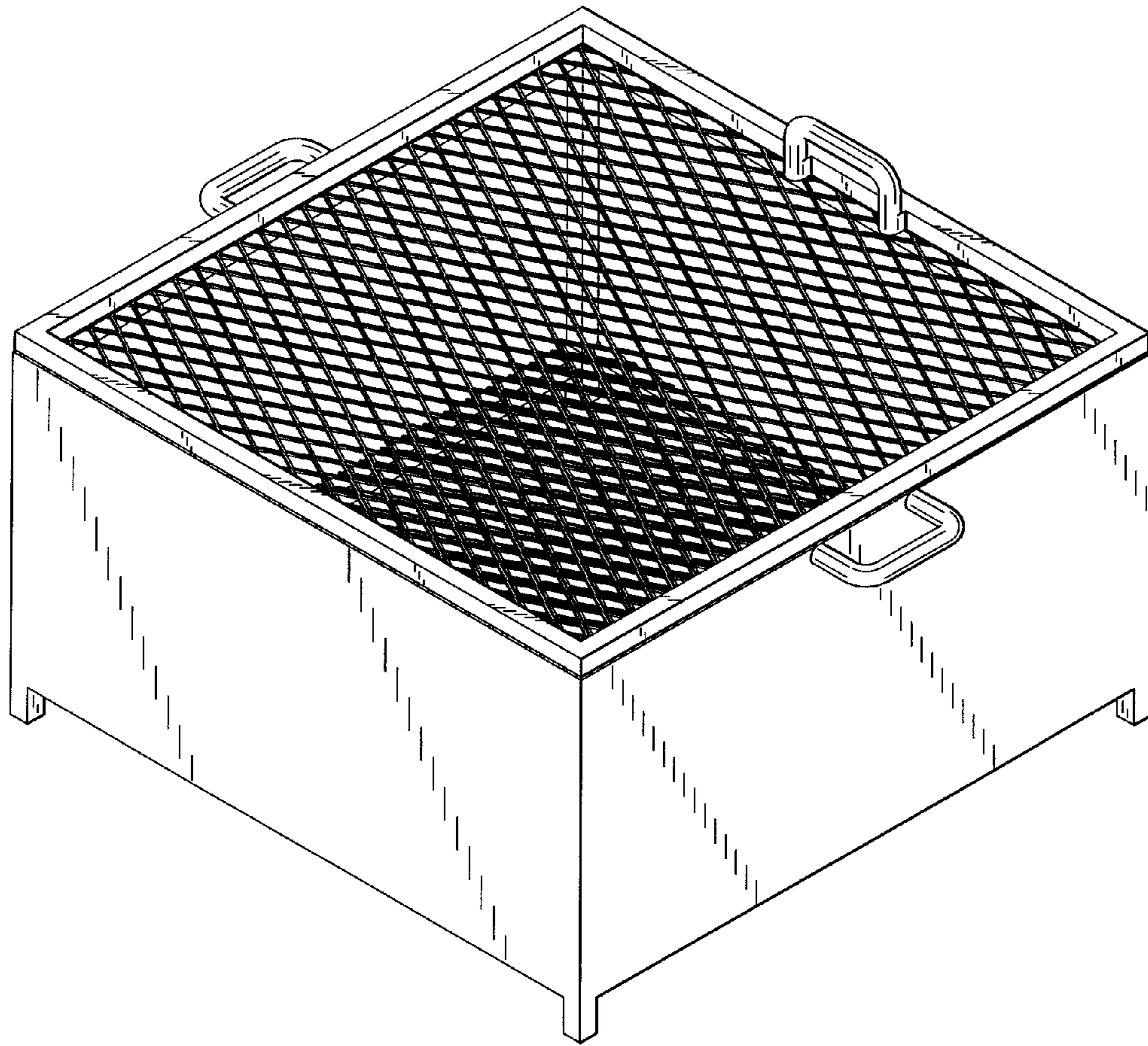


FIG. 1

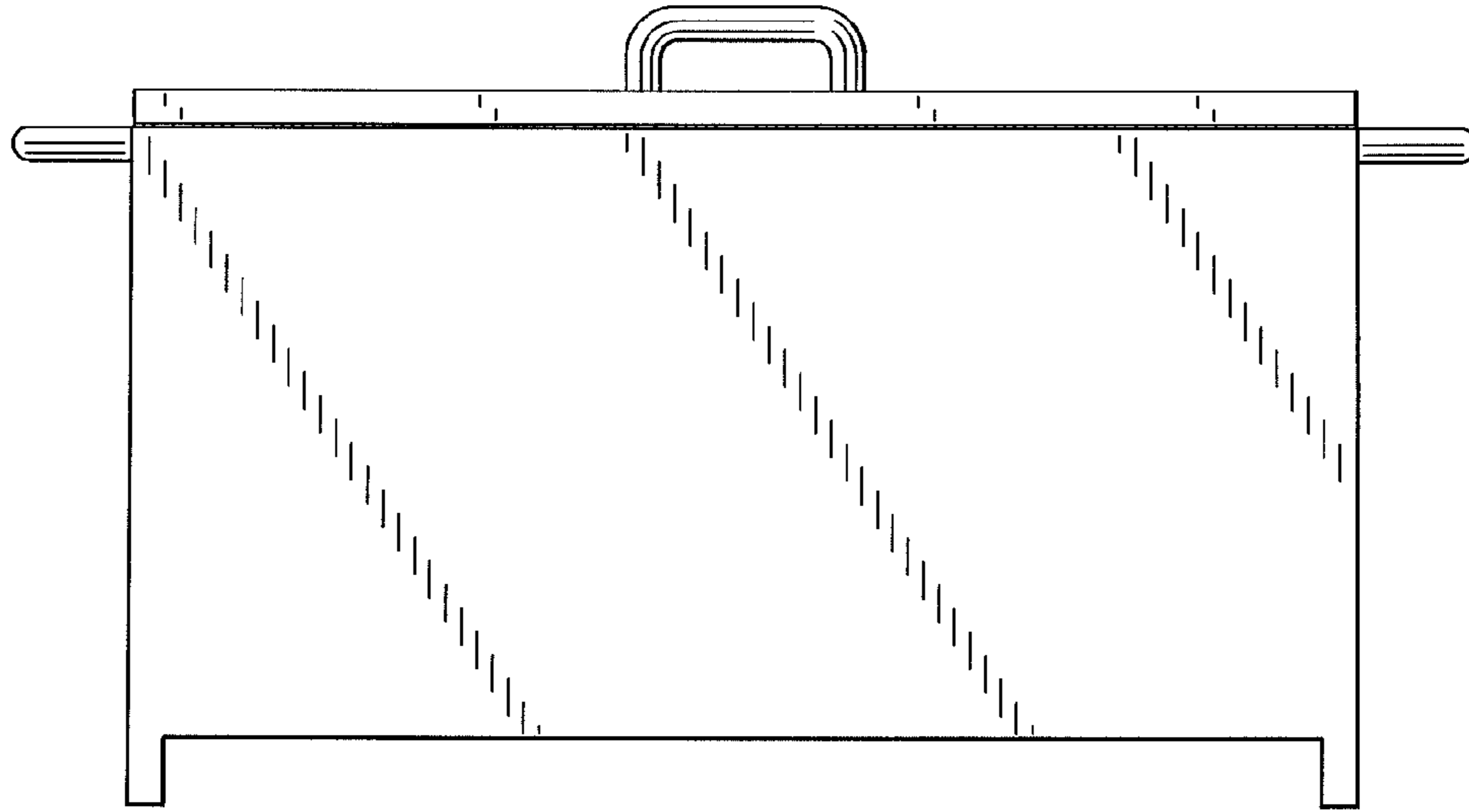


FIG. 2

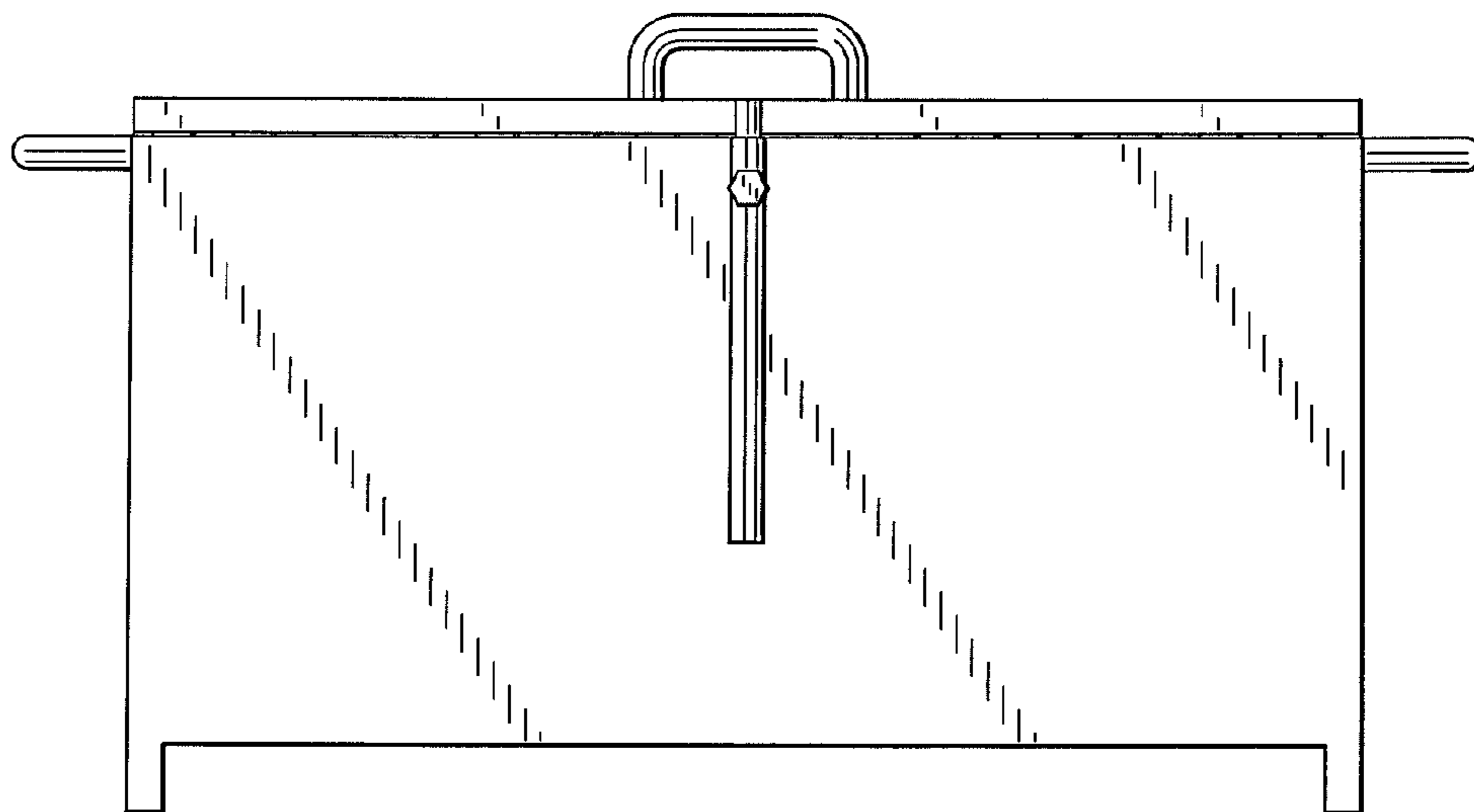


FIG. 3

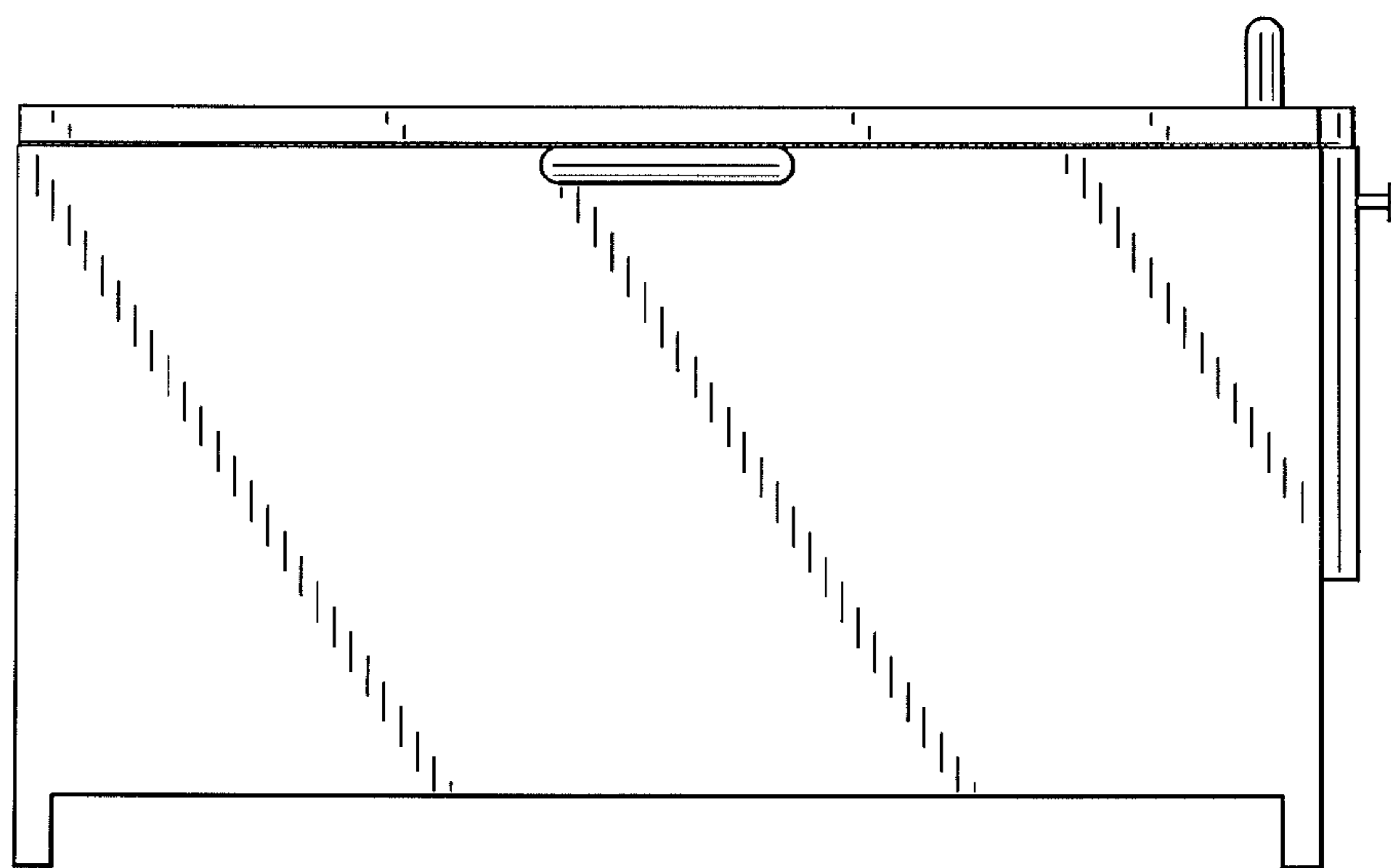


FIG. 4

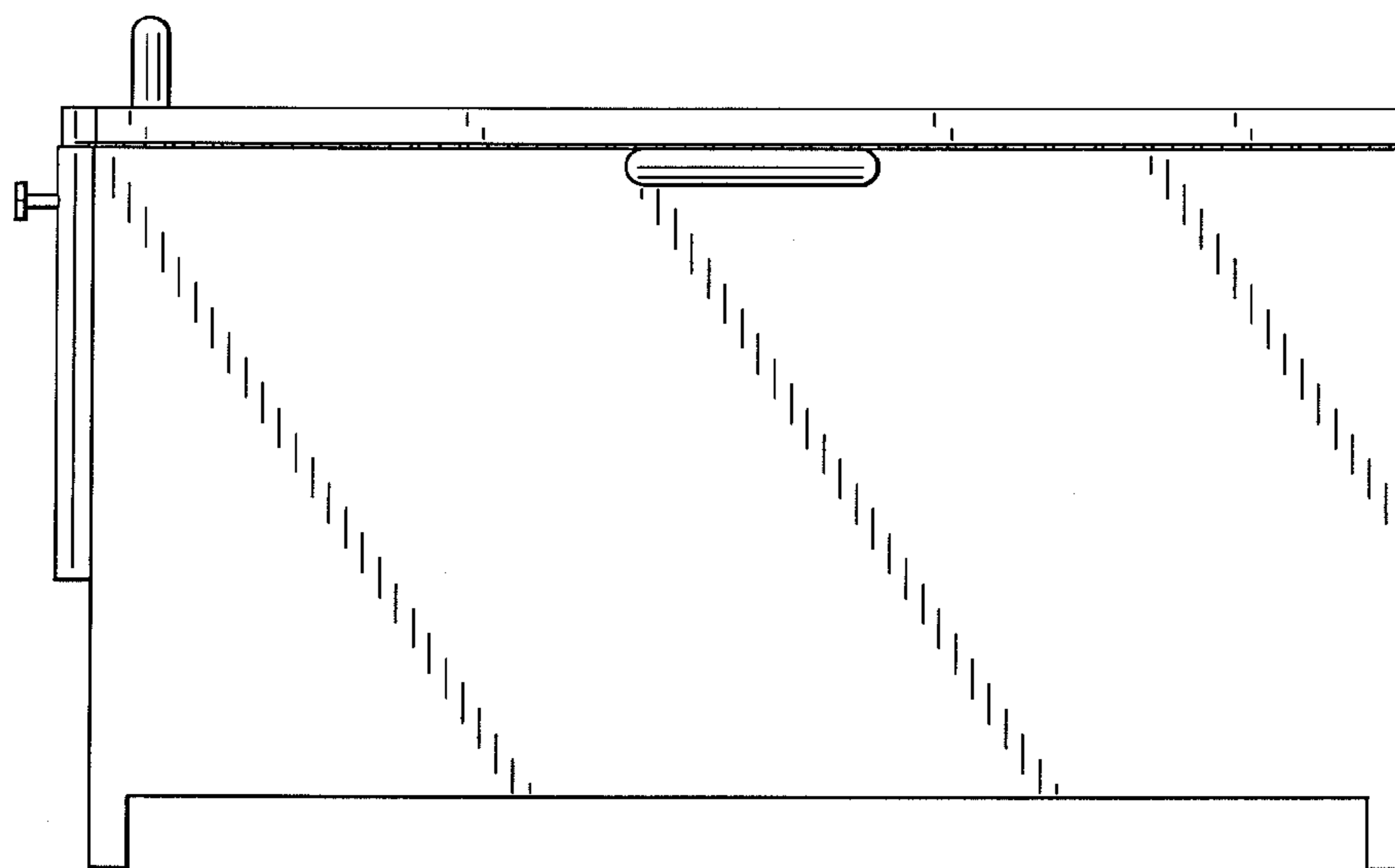


FIG. 5



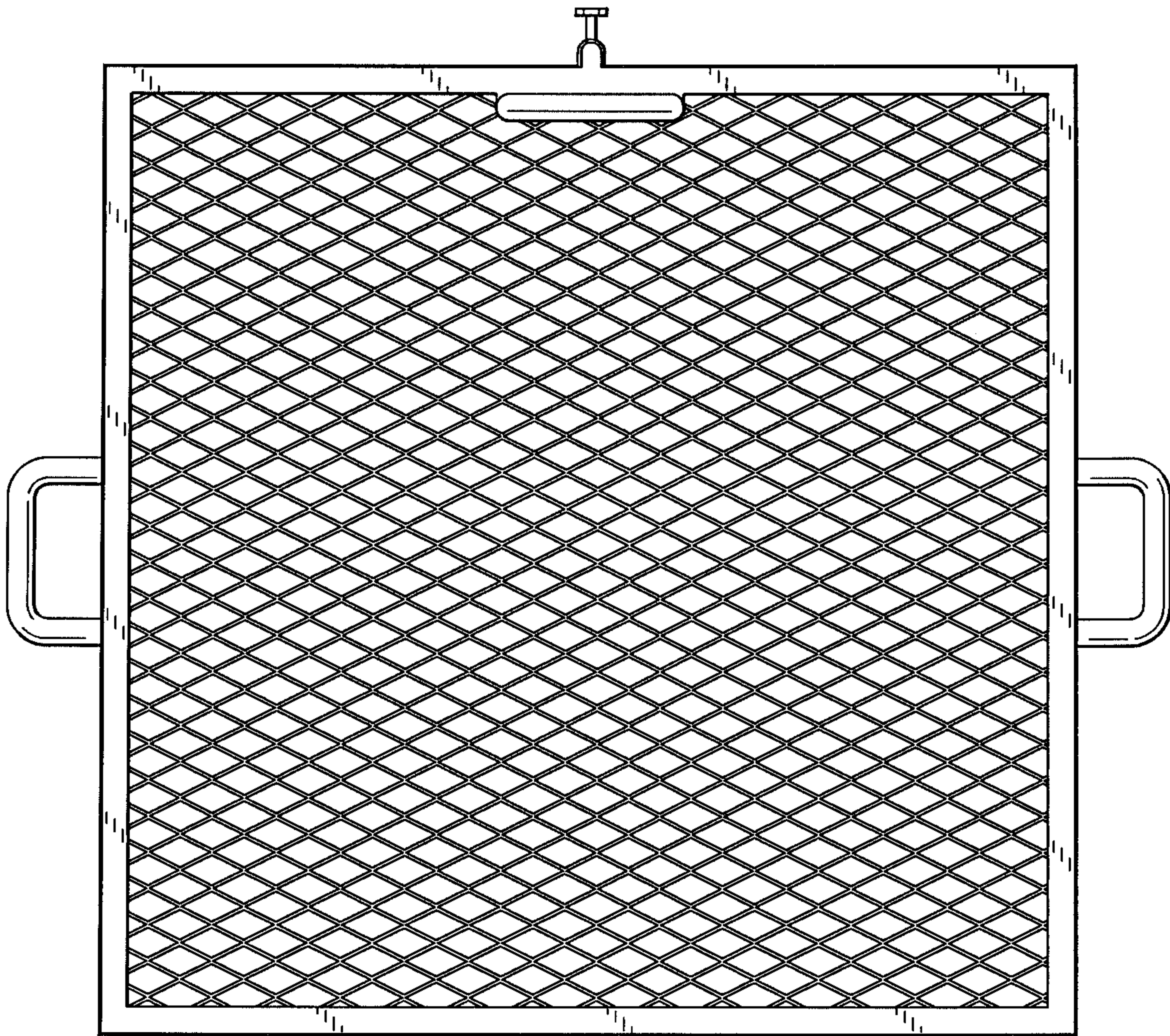


FIG. 6



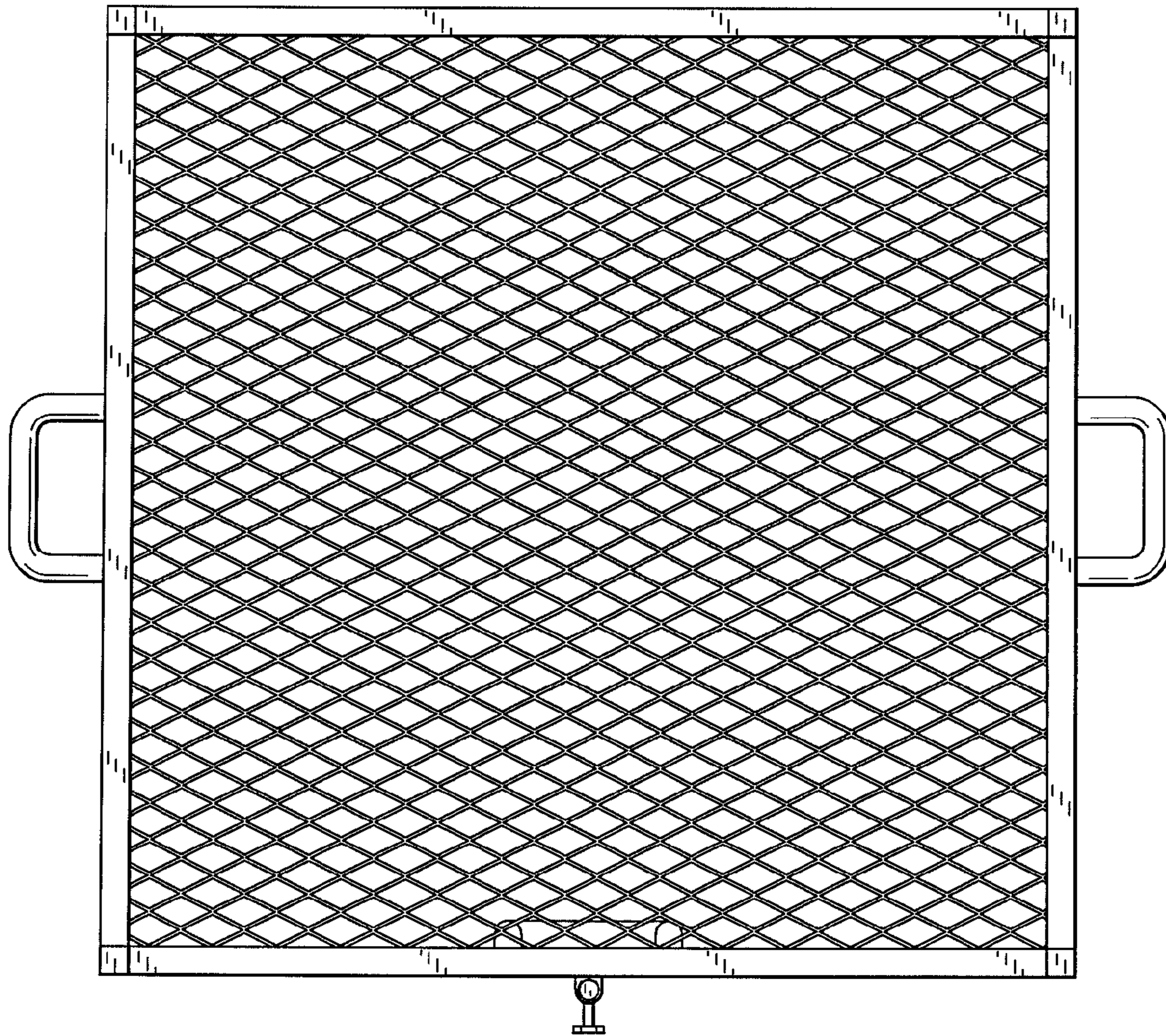


FIG. 7

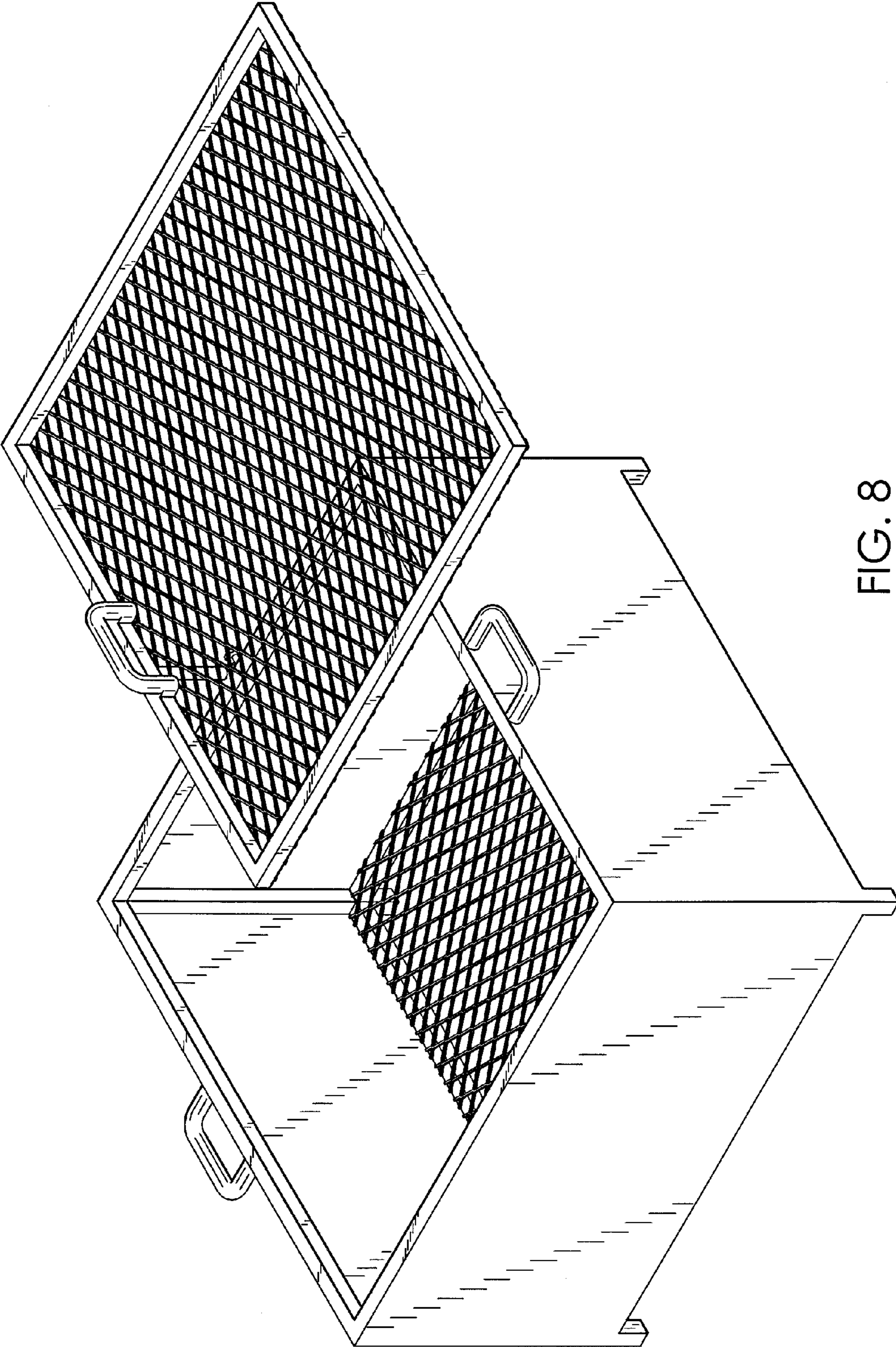


FIG. 8