



US00D729913S

(12) **United States Design Patent**
Eilmus et al.

(10) **Patent No.:** **US D729,913 S**

(45) **Date of Patent:** **** May 19, 2015**

(54) **SINK**

Primary Examiner — Robert Delehanty

(71) Applicant: **Kohler Co.**, Kohler, WI (US)

(74) *Attorney, Agent, or Firm* — Foley & Lardner LLP

(72) Inventors: **Niels J. Eilmus**, Sheboygan, WI (US);
Jason R. Miller, Sheboygan Falls, WI (US)

(57) **CLAIM**

We claim the ornamental design for a sink, as shown and described.

(73) Assignee: **KOHLER CO.**, Kohler, WI (US)

DESCRIPTION

(**) Term: **14 Years**

(21) Appl. No.: **29/506,984**

(22) Filed: **Oct. 22, 2014**

Related U.S. Application Data

(62) Division of application No. 29/485,641, filed on Mar. 20, 2014, now Pat. No. Des. 716,422, which is a division of application No. 29/448,204, filed on Mar. 11, 2013, now Pat. No. Des. 703,799.

(51) **LOC (10) Cl.** **23-02**

(52) **U.S. Cl.**
USPC **D23/308**

(58) **Field of Classification Search**
USPC D23/272–274, 284, 286, 292–293.1,
D23/303, 308; 4/619; 126/383.1, 385.1
See application file for complete search history.

(56) **References Cited**

U.S. PATENT DOCUMENTS

1,070,424 A 8/1913 Danver
2,676,477 A 4/1954 Smith

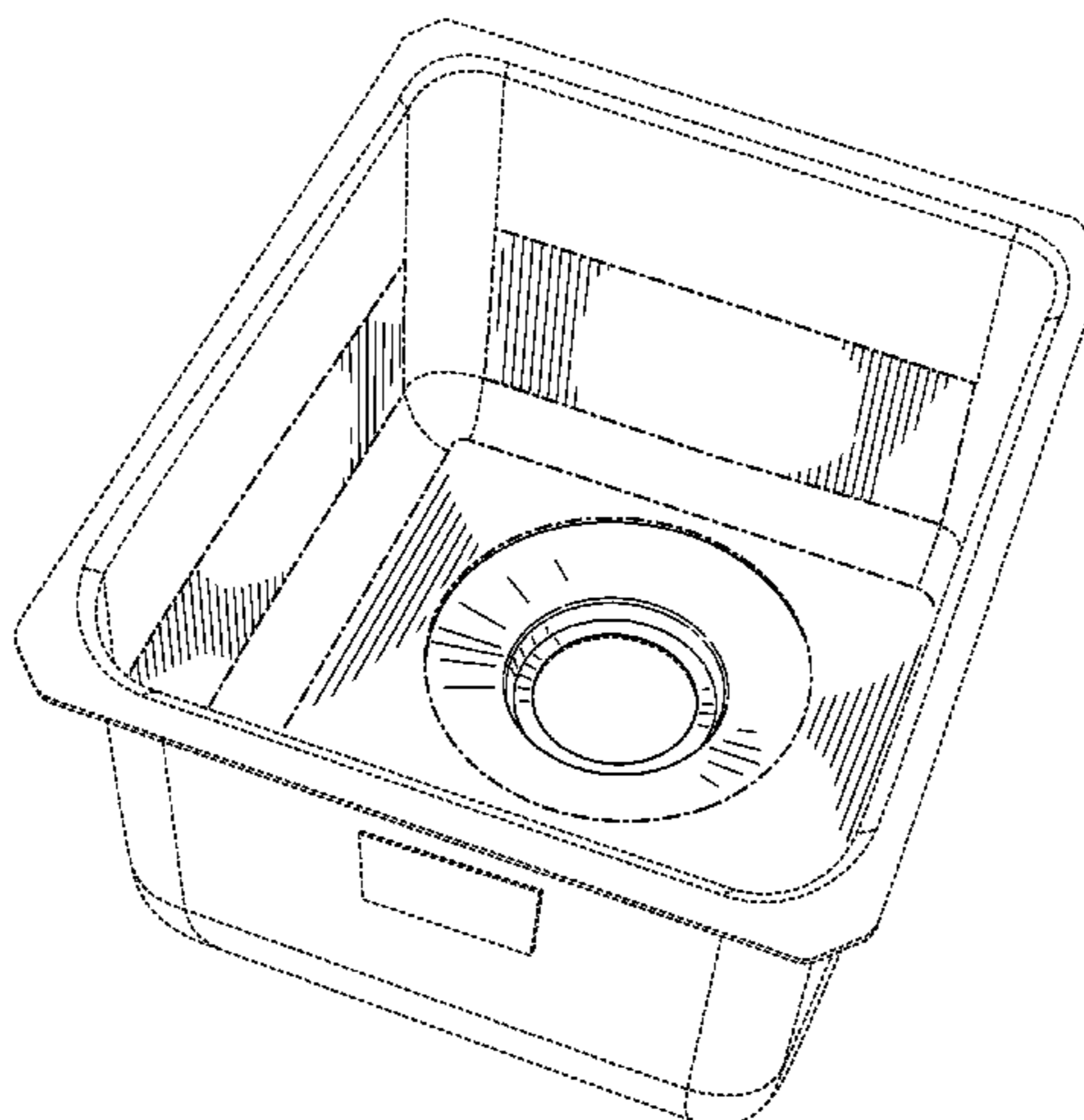
(Continued)

OTHER PUBLICATIONS

Response to Restriction Requirement mailed Oct. 31, 2013 in U.S. Appl. No. 29/448,207.

(Continued)

1 Claim, 8 Drawing Sheets



(56)

References Cited

U.S. PATENT DOCUMENTS

3,196,864 A 7/1965 Johnson
4,242,763 A 1/1981 Walker
4,336,620 A 6/1982 Gresh
4,655,169 A 4/1987 Pullola
5,179,740 A 1/1993 Marsilio et al.
D389,901 S 1/1998 Kohler, Jr. et al.
5,715,547 A 2/1998 Becker et al.
6,085,362 A 7/2000 Huber
D442,679 S 5/2001 Roberts
6,484,330 B2 11/2002 Gray et al.
6,554,944 B1 4/2003 Peters et al.
D494,664 S 8/2004 Arnold
D544,073 S 6/2007 DeGarmo
D544,586 S 6/2007 Gilbert et al.
D545,416 S 6/2007 Maruhashi et al.

D561,879 S 2/2008 Gilbert et al.
D603,025 S 10/2009 Mahon
D632,373 S 2/2011 Kehrer et al.
D635,227 S 3/2011 DuFour
7,954,183 B2 6/2011 Cawthon
7,992,236 B2 8/2011 Degoooyer
D677,772 S 3/2013 Mendoza et al.
8,424,123 B2 4/2013 Svensson
8,499,376 B2 8/2013 Kyung Kim
2006/0096018 A1 5/2006 Ball
2010/0251477 A1 10/2010 Bates
2011/0277694 A1 11/2011 Euse

OTHER PUBLICATIONS

Response to Restriction Requirement mailed Oct. 28, 2013 in U.S.
Appl. No. 29/448,206.
Response to Restriction Requirement mailed Oct. 28, 2013 in U.S.
Appl. No. 29/448,203.

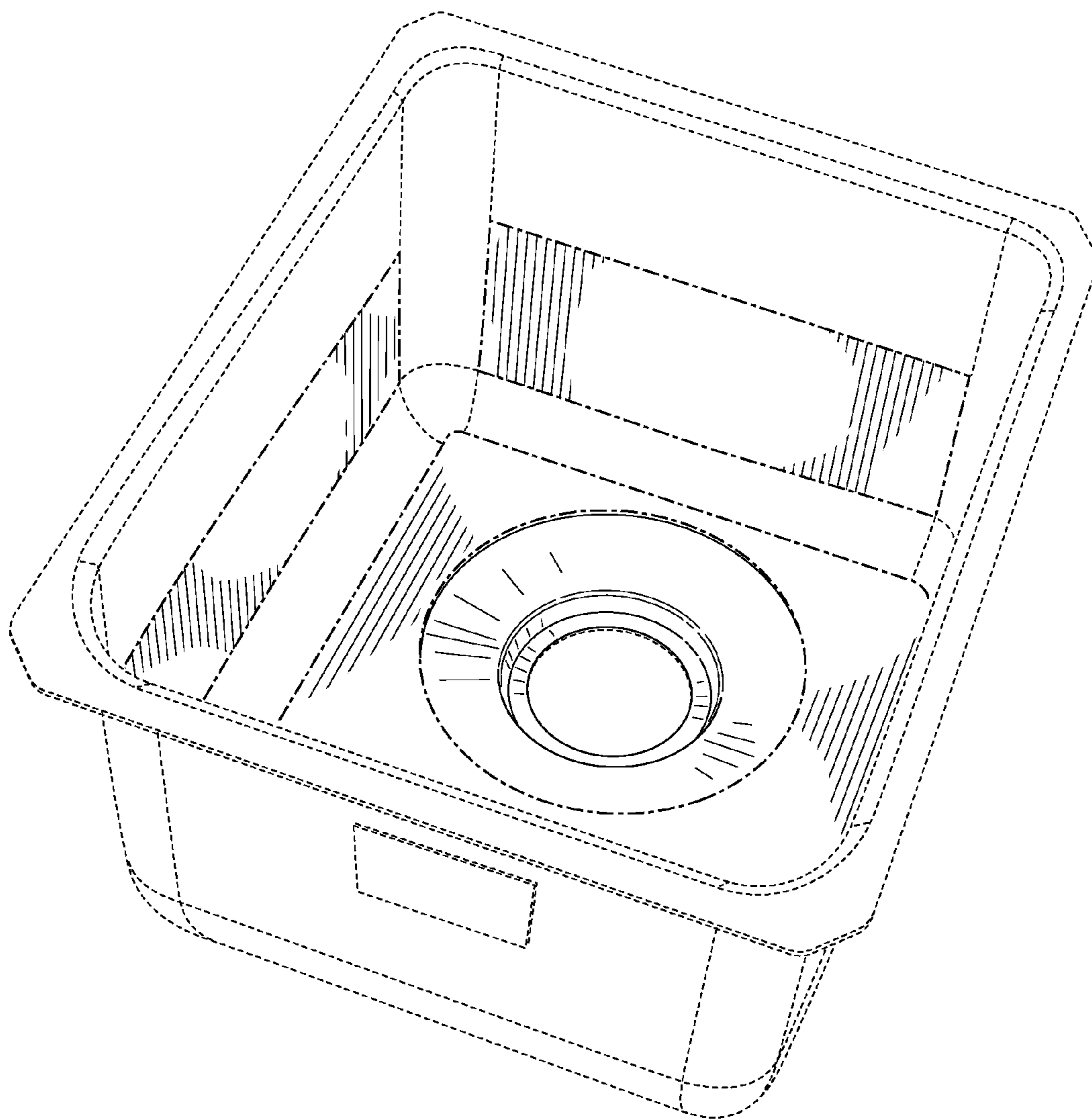


FIG. 1

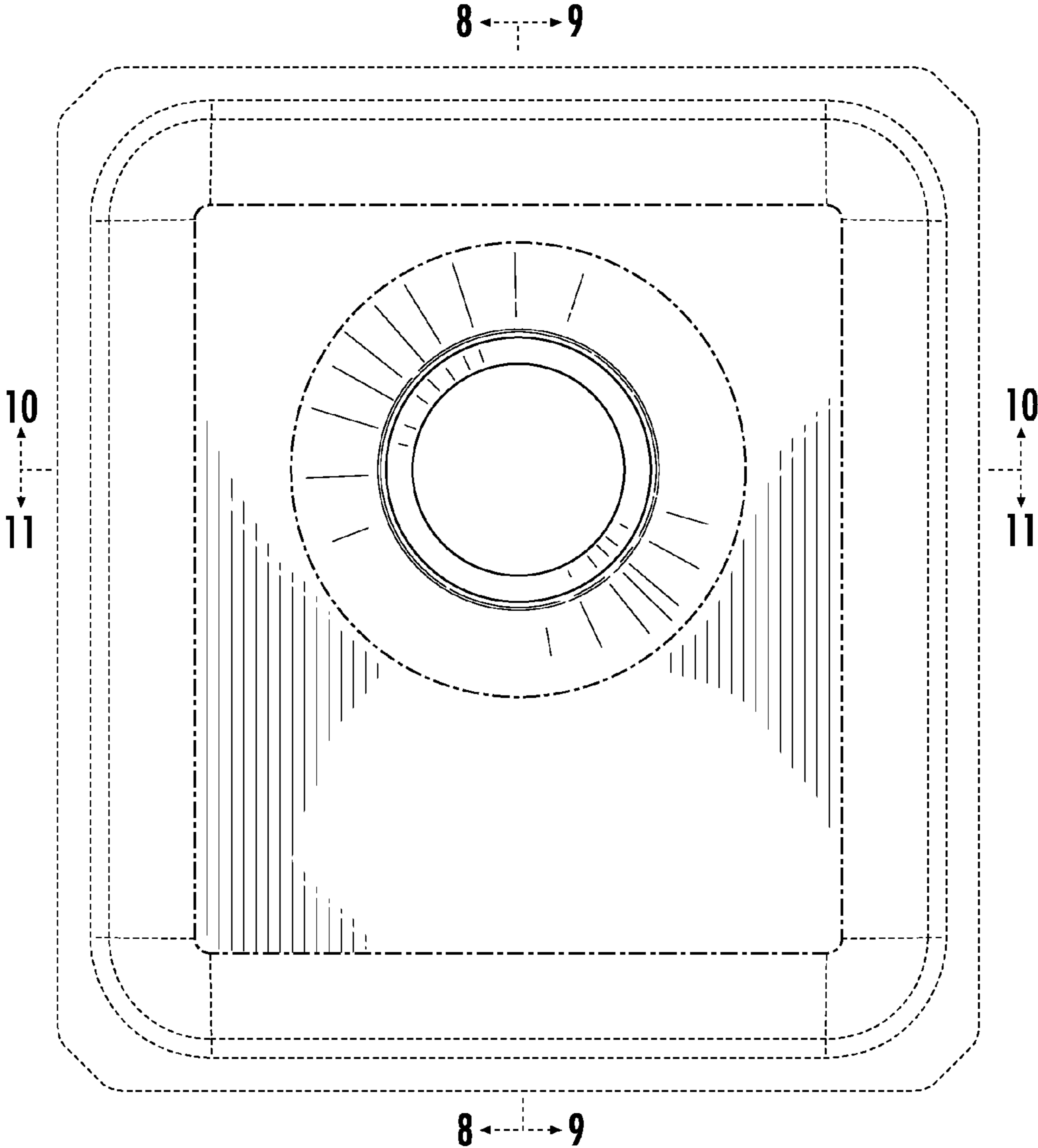


FIG. 2

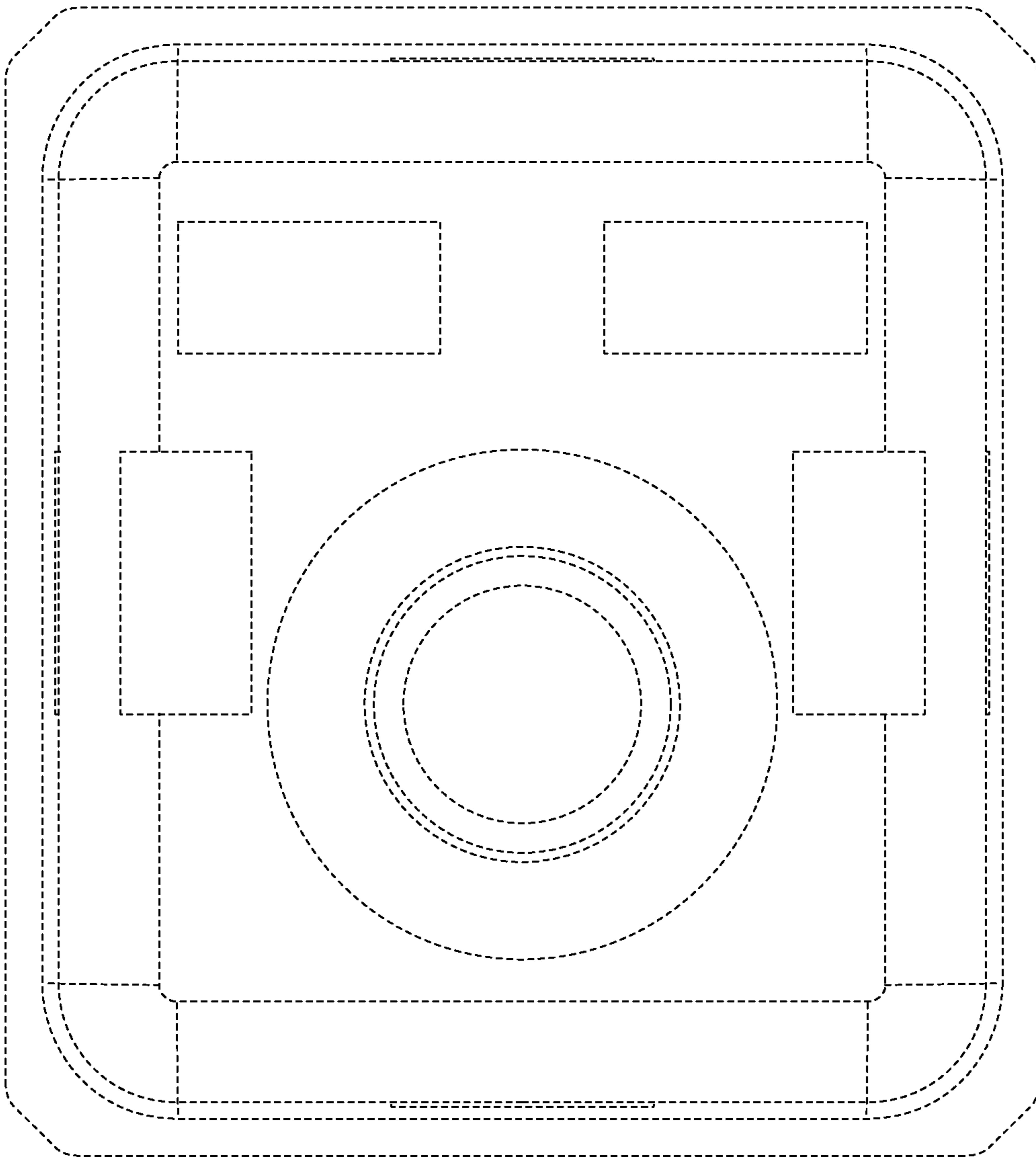


FIG. 3

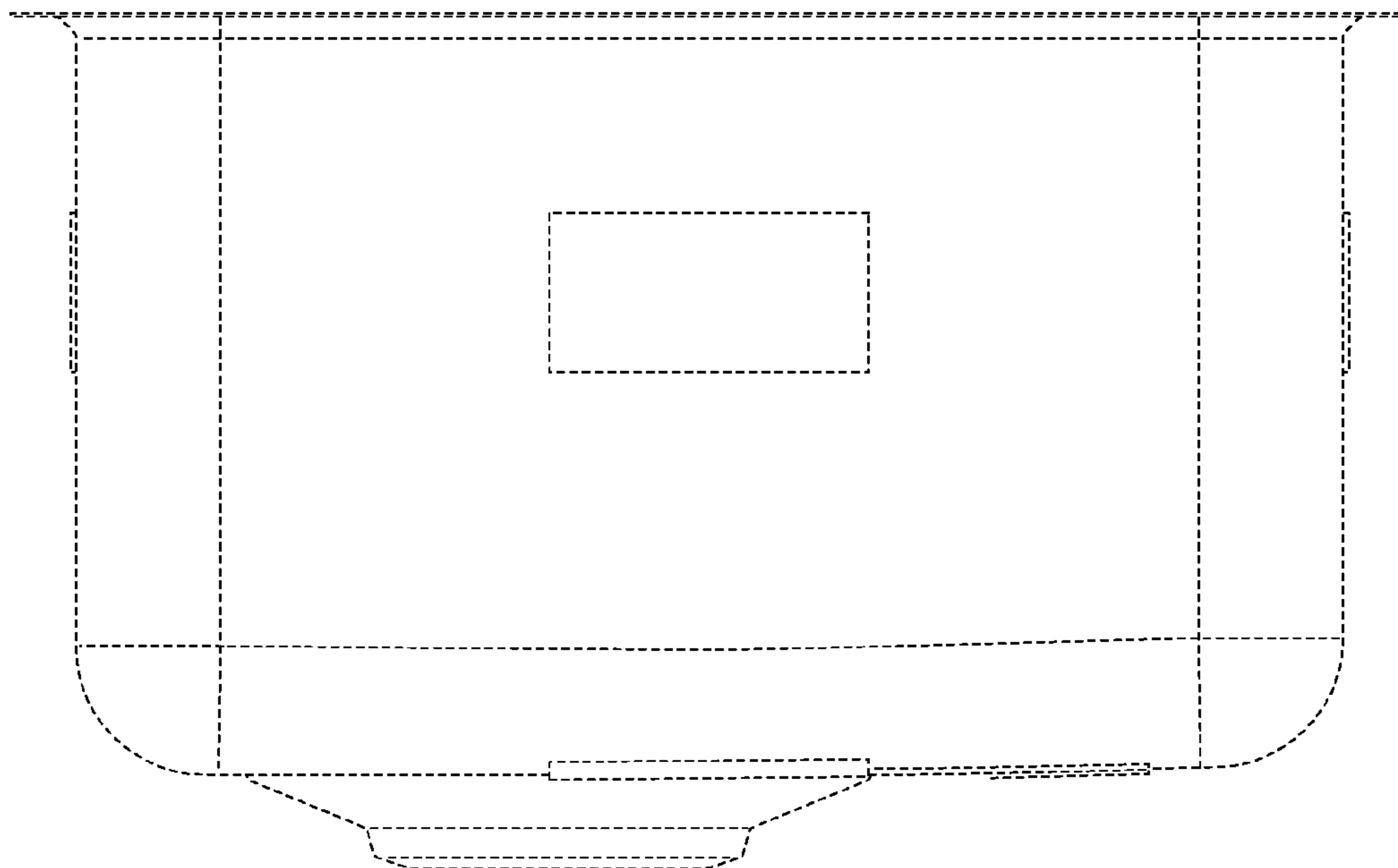


FIG. 4

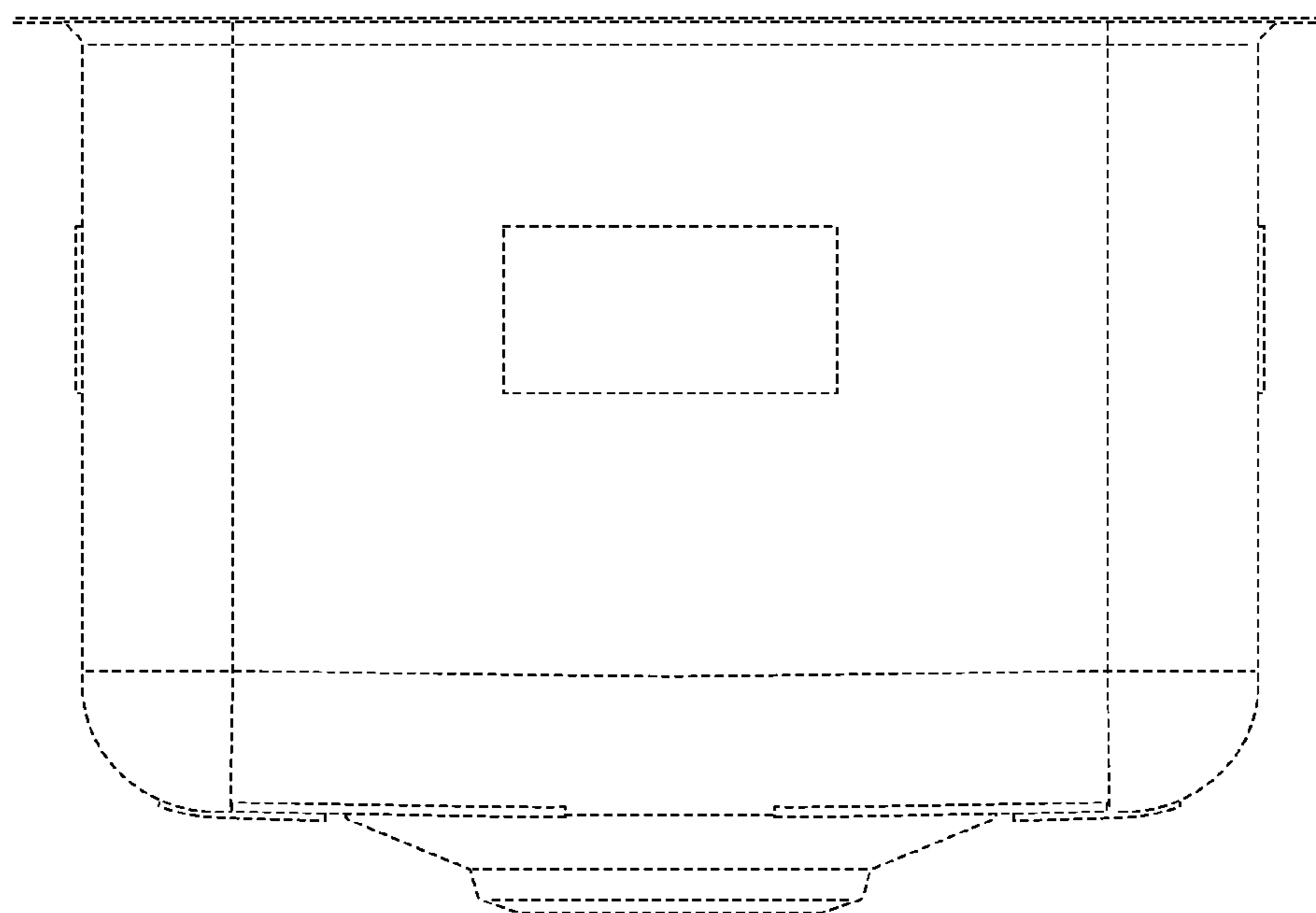


FIG. 5

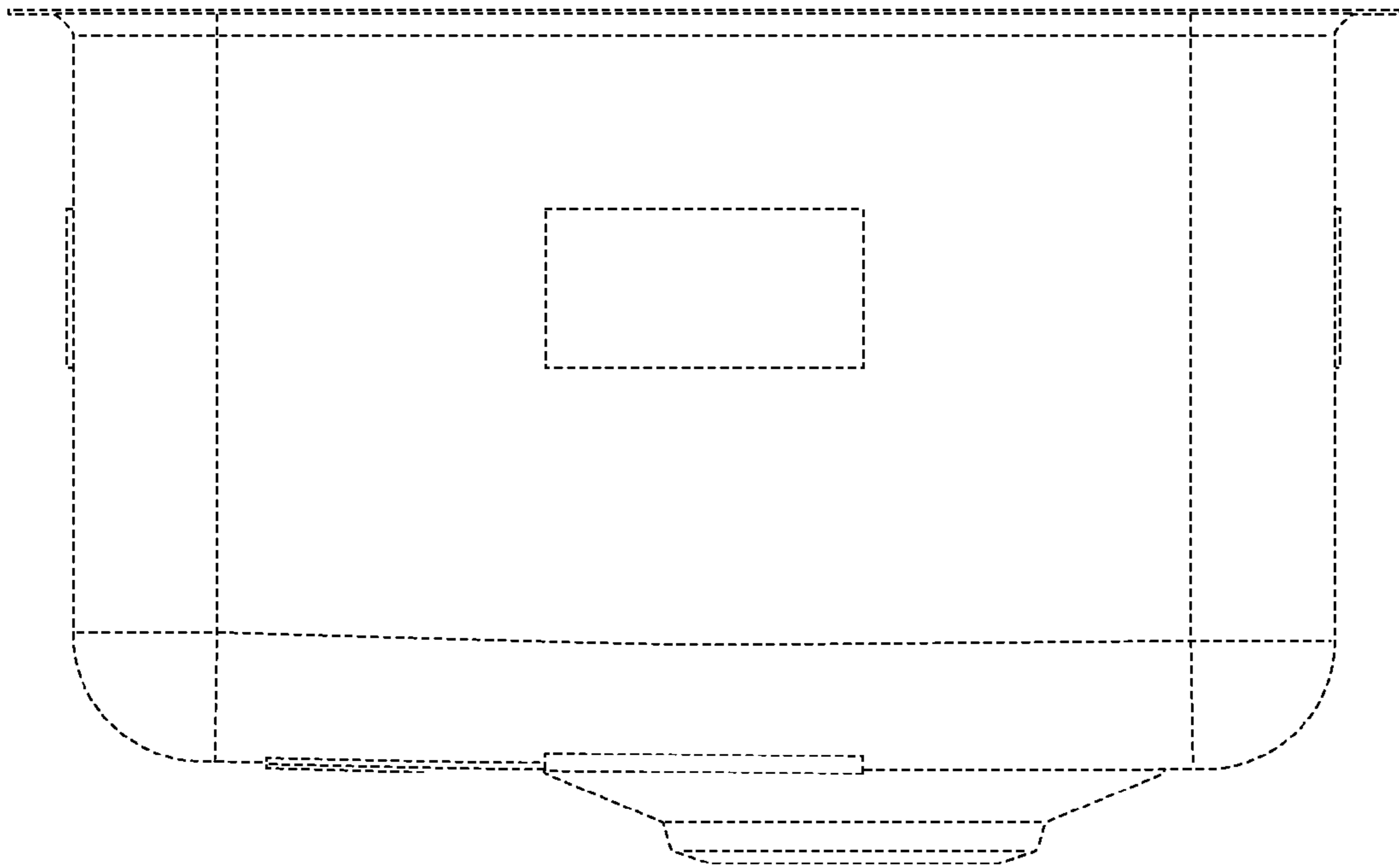


FIG. 6

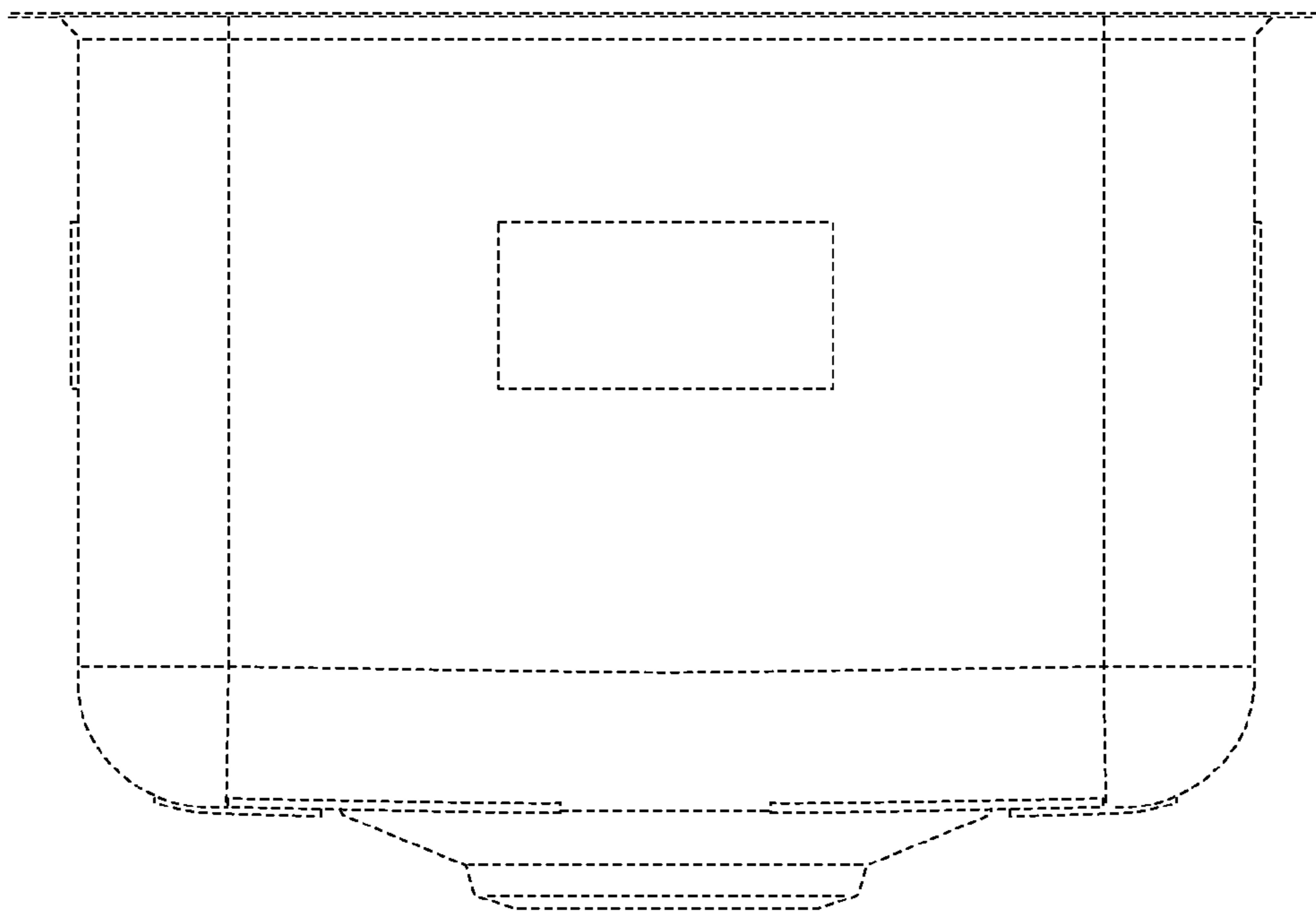


FIG. 7

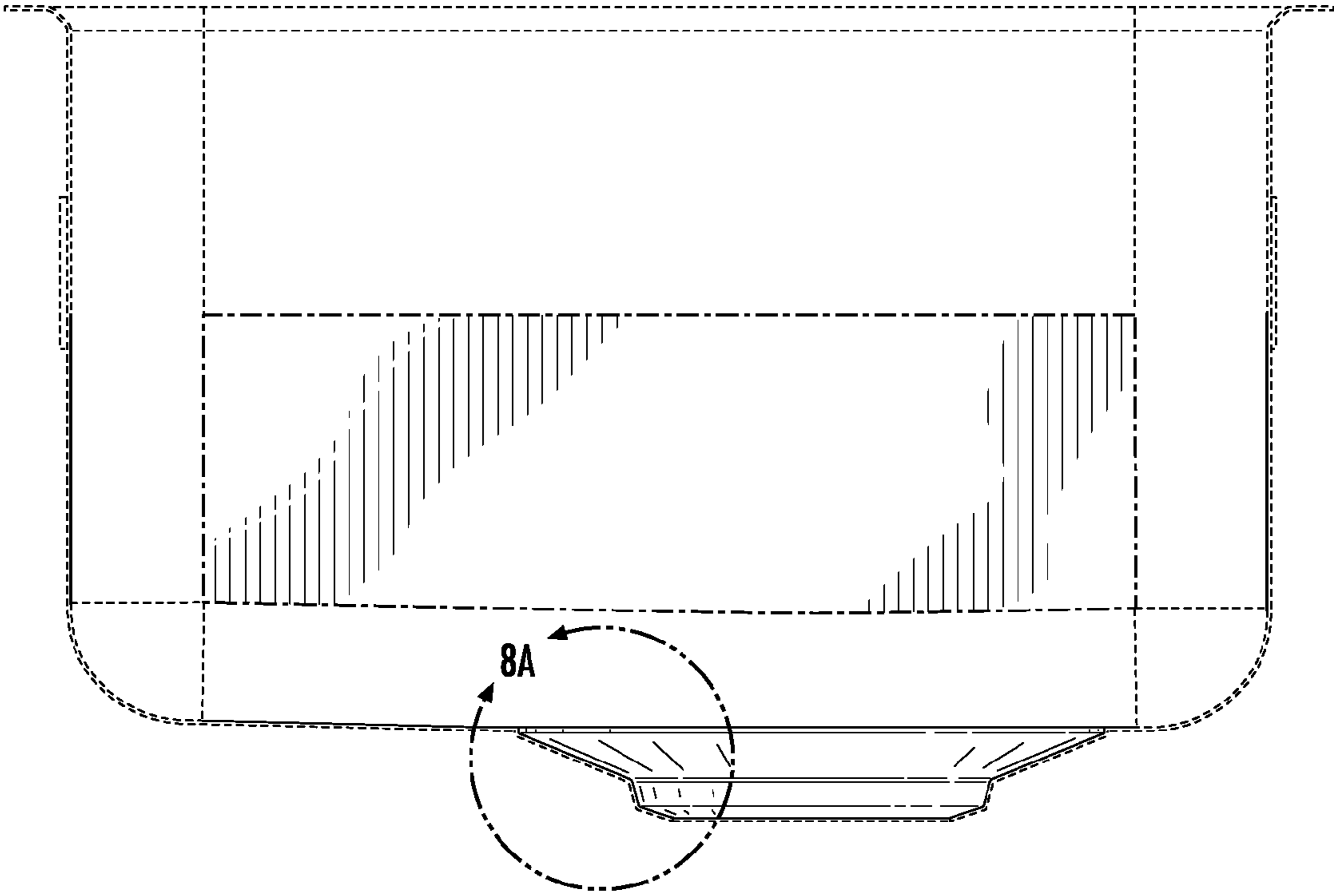


FIG. 8

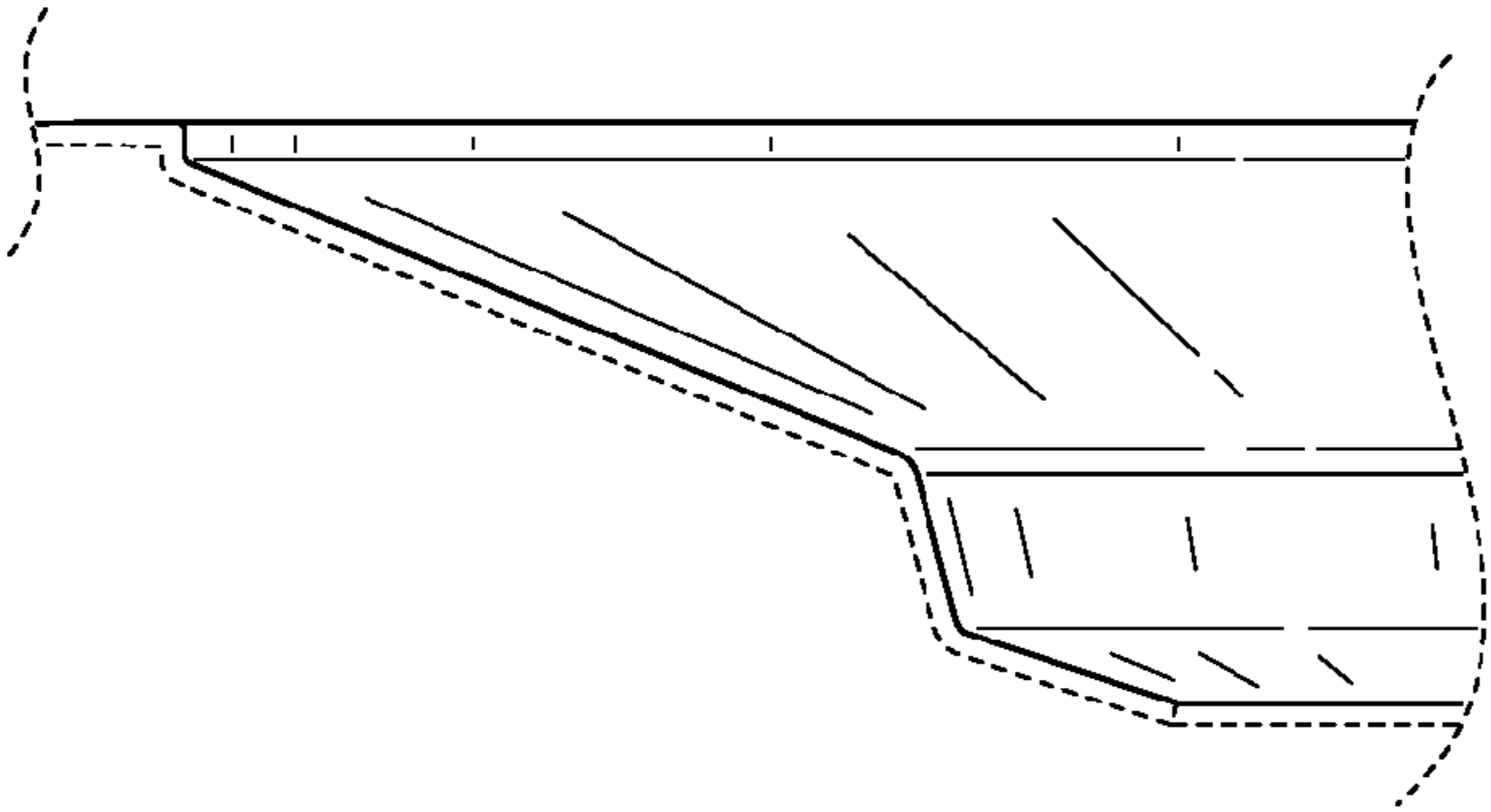


FIG. 8A

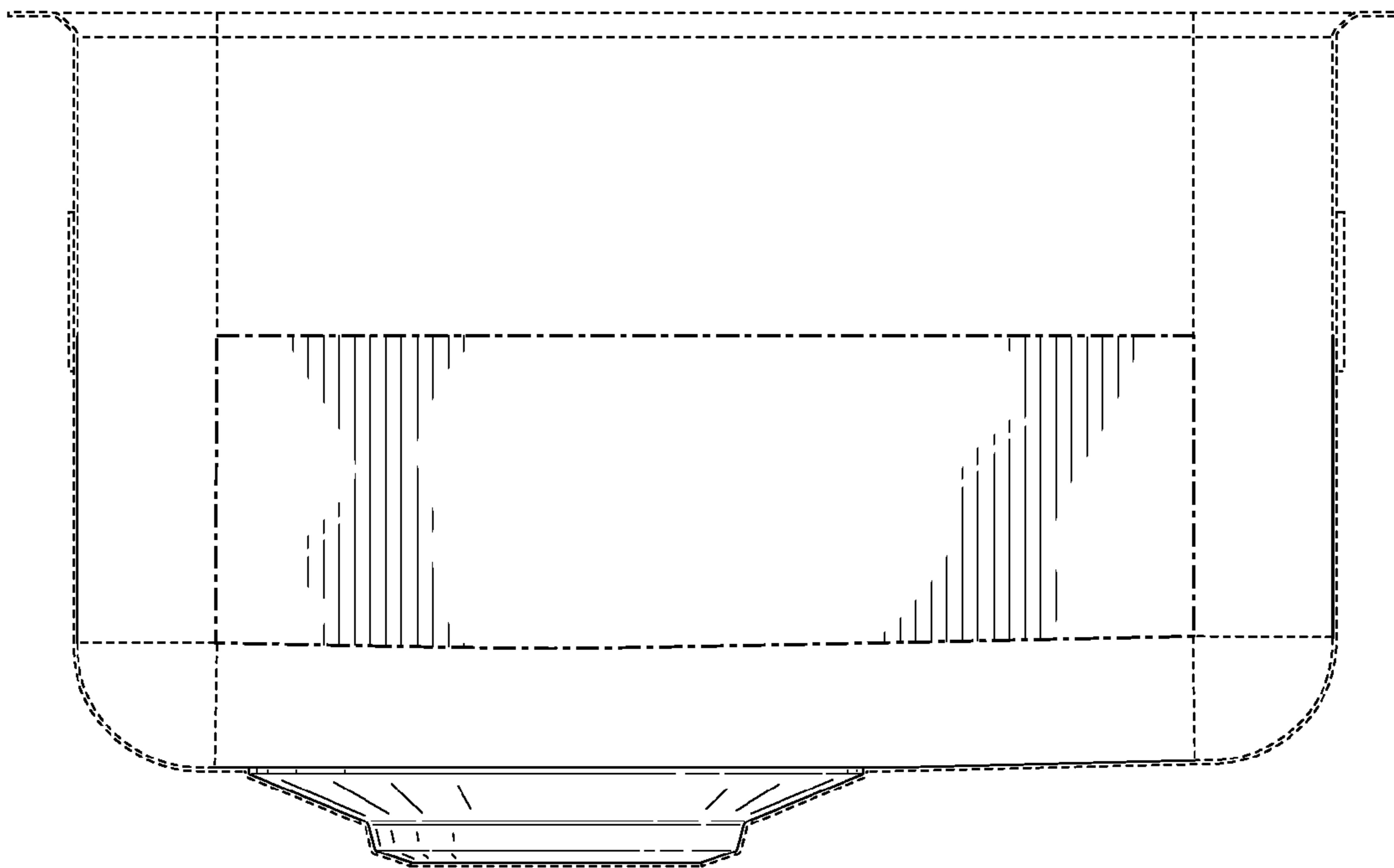


FIG. 9

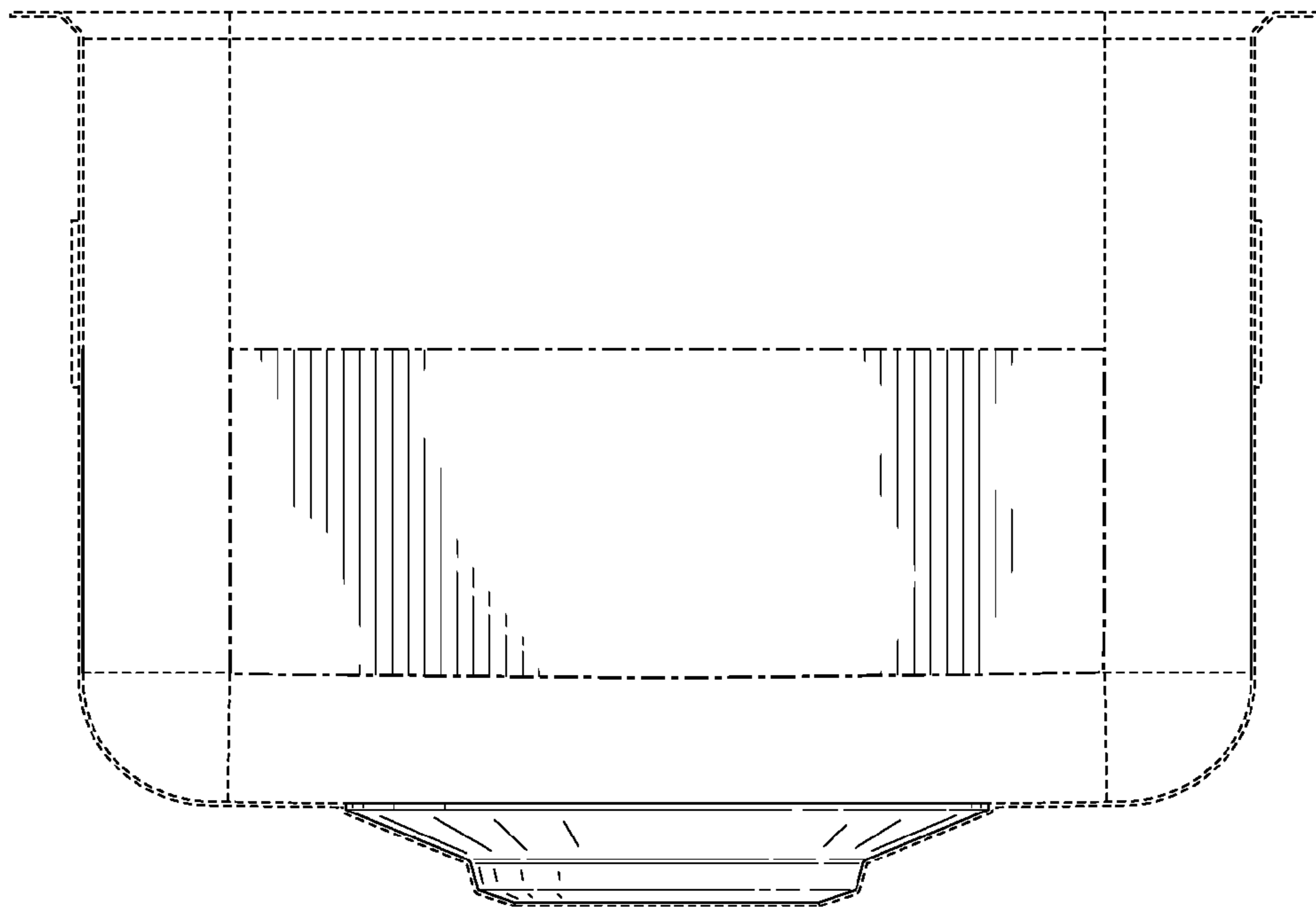


FIG. 10

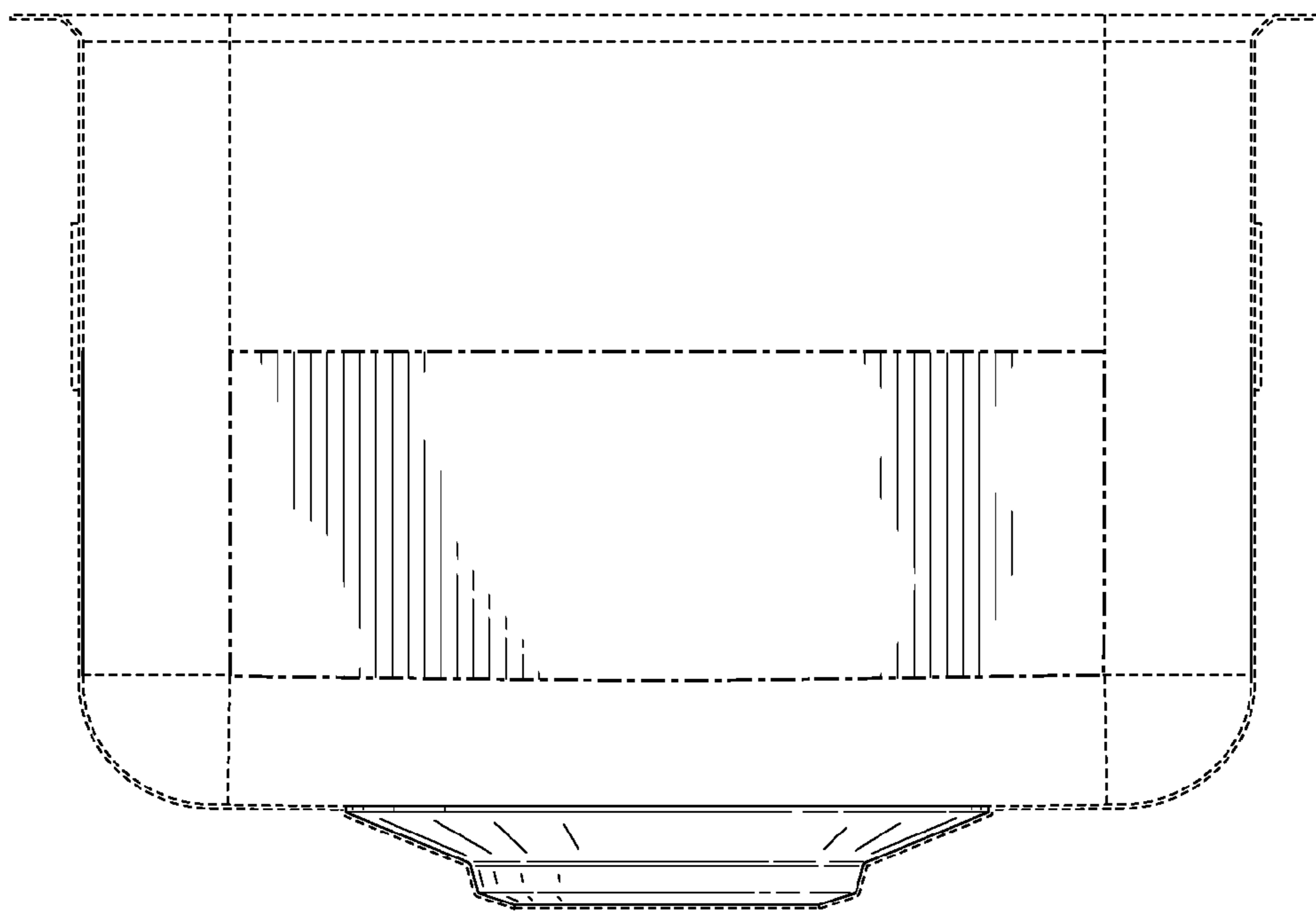


FIG. 11