



US00D729911S

(12) **United States Design Patent**
Froechte et al.

(10) **Patent No.:** **US D729,911 S**
(45) **Date of Patent:** **** May 19, 2015**

- (54) **BATHTUB**
- (71) Applicants: **Daniel Froechte**, Ahlen (DE); **Thomas Dahlhues**, Ascheberg (DE)
- (72) Inventors: **Daniel Froechte**, Ahlen (DE); **Thomas Dahlhues**, Ascheberg (DE)
- (73) Assignee: **FRANZ KALDEWEI GMBH & CO. KG**, Ahlen (DE)

D329,084 S *	9/1992	Dannenberg	D23/280.1
D355,026 S *	1/1995	Levien	D23/304
D440,640 S *	4/2001	Walsh	D23/277
D539,392 S *	3/2007	Hood	D23/277
D595,816 S *	7/2009	Flores	D23/277

* cited by examiner

Primary Examiner — Robert Delehanty

(74) *Attorney, Agent, or Firm* — Andrew Wilford

(**) Term: **14 Years**

(21) Appl. No.: **29/482,744**

(22) Filed: **Feb. 21, 2014**

(51) **LOC (10) Cl.** **23-02**

(52) **U.S. Cl.**
USPC **D23/277**

(58) **Field of Classification Search**
USPC D23/275, 277, 280.1, 303–304, 306;
4/663–665, 538, 581–582
See application file for complete search history.

(56) **References Cited**

U.S. PATENT DOCUMENTS

3,999,224 A * 12/1976 Kollsman 4/583

(57) **CLAIM**

The ornamental design for a bathtub, as shown and described.

DESCRIPTION

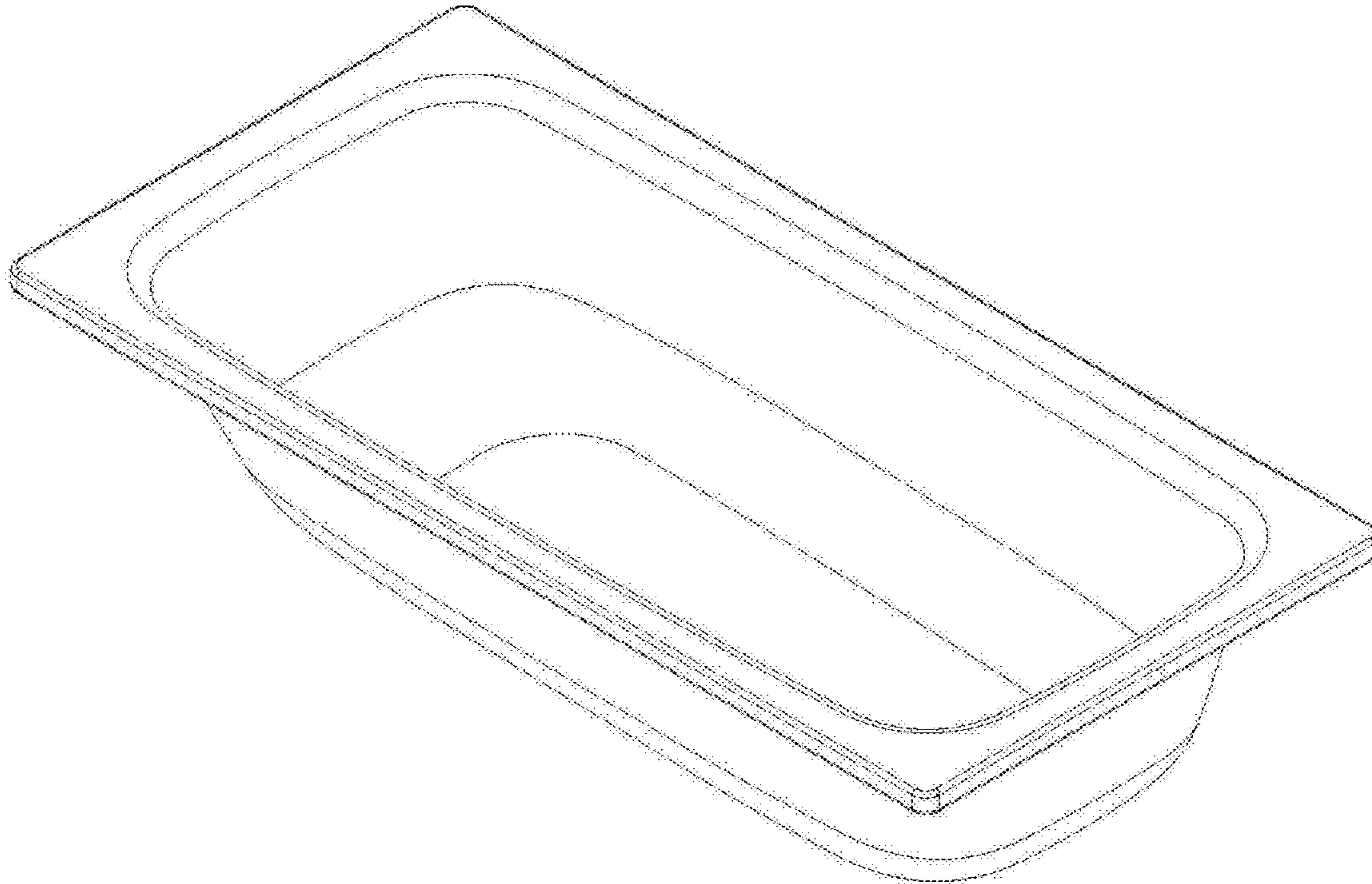
FIG. 1 is a perspective view from above of a drop-in bathtub according to the invention;

FIG. 2 is a top view of the bathtub of FIG. 1;

FIG. 3 is a side view of the bathtub of FIG. 1; and,

FIG. 4 is an end view of the bathtub of FIG. 1.

1 Claim, 4 Drawing Sheets



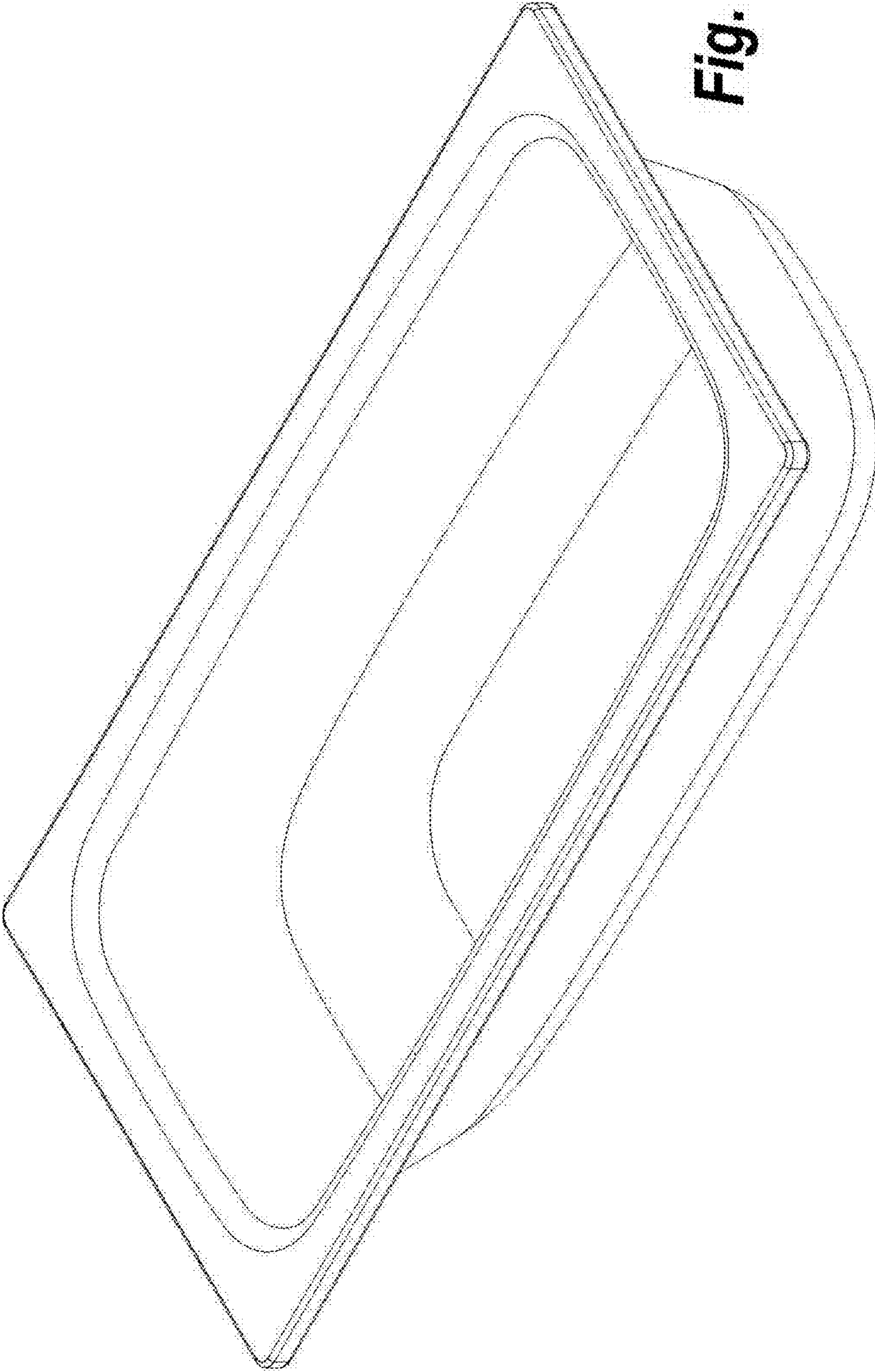


Fig. 1

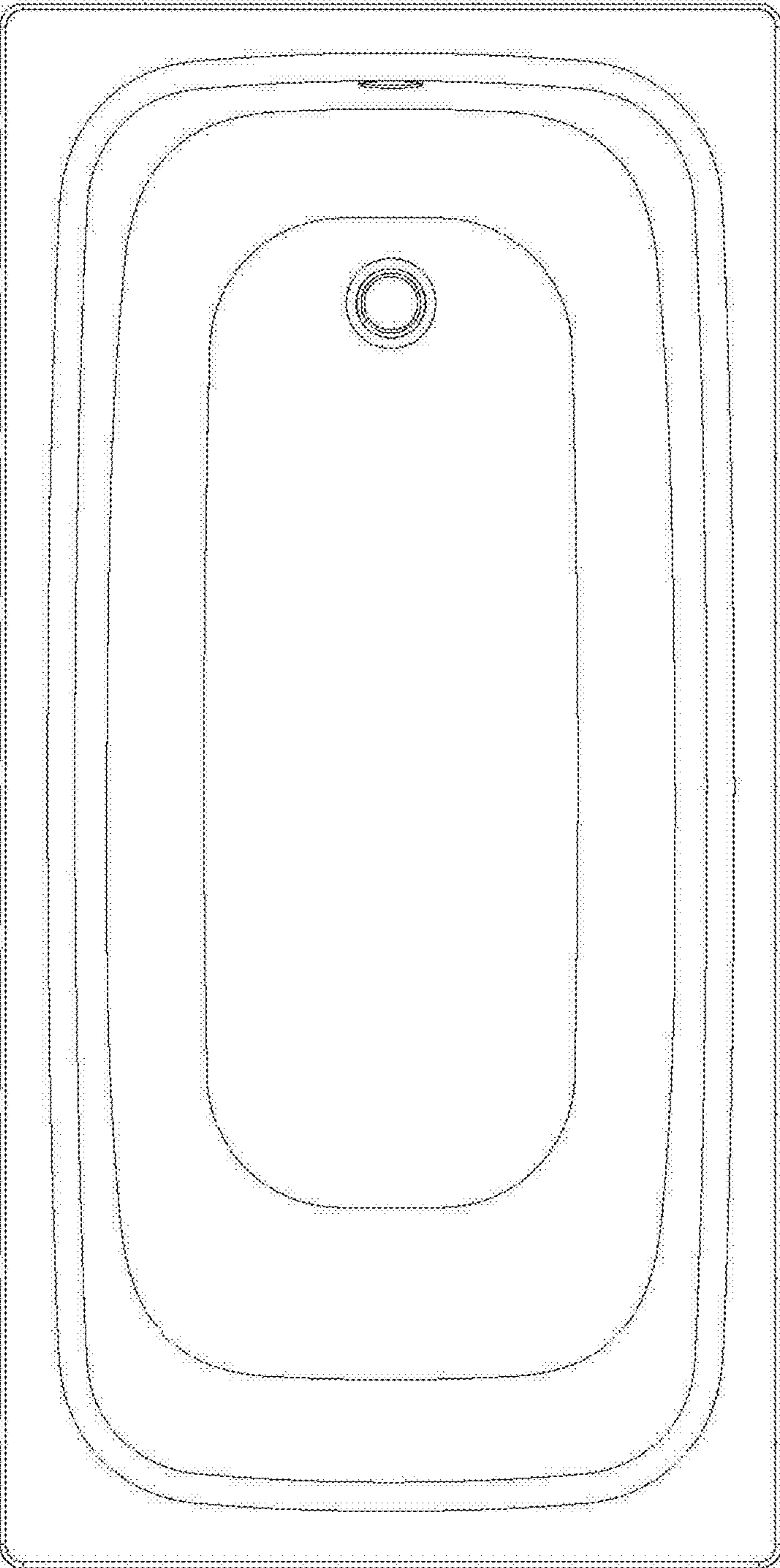


Fig. 2

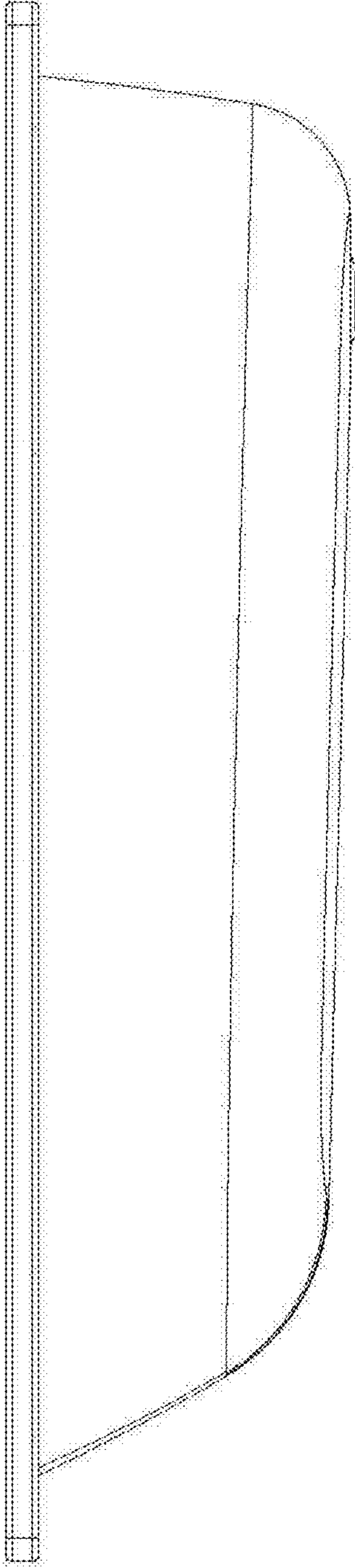


Fig. 3

Fig. 4

