



US00D729910S

(12) **United States Design Patent**
Schulze

(10) **Patent No.:** **US D729,910 S**

(45) **Date of Patent:** **** May 19, 2015**

(54) **PLUMBING PIPE**

(71) Applicant: **Michael Schulze**, Newport Beach, CA (US)

(72) Inventor: **Michael Schulze**, Newport Beach, CA (US)

(73) Assignee: **MPS Technologies, LLC**, Newport Beach, CA (US)

(**) Term: **14 Years**

(21) Appl. No.: **29/454,914**

(22) Filed: **May 15, 2013**

(51) **LOC (10) Cl.** **23-01**

(52) **U.S. Cl.**
USPC **D23/267**

(58) **Field of Classification Search**
USPC D23/205, 213, 223, 224, 229, 230, 237, D23/259, 263, 266; D24/129; D13/155; 138/103, 105, 109, 118, 118.1, 121, 138/122, 126, 128, 140, 154, 155, 157, 158, 138/167, 173, 177; 285/58, 83, 124.1, 285/124.5, 179, 179.1

See application file for complete search history.

(56) **References Cited**

U.S. PATENT DOCUMENTS

| | | | | |
|-----------|-----|---------|-----------|-----------|
| 1,776,385 | A | 9/1930 | Hoelscher | |
| 1,867,725 | A | 7/1932 | Brotz | |
| 1,911,454 | A * | 5/1933 | Luff | 285/129.2 |
| 1,980,493 | A | 11/1934 | Morisseau | |
| 2,039,542 | A * | 5/1936 | Lindquist | 285/133.3 |
| 2,059,120 | A | 10/1936 | Kreuzer | |
| 2,063,632 | A | 12/1936 | Schneider | |
| 4,380,834 | A | 4/1983 | Wentz | |
| 4,504,086 | A * | 3/1985 | Carrow | 285/133.5 |
| 4,831,824 | A * | 5/1989 | Fukazawa | 60/322 |
| 5,381,831 | A | 1/1995 | Versland | |
| 5,509,150 | A | 4/1996 | Bergmann | |
| 5,543,089 | A * | 8/1996 | Pichardo | 261/116 |
| 5,632,220 | A * | 5/1997 | Vento | 114/255 |

| | | | | |
|-----------|------|---------|-------------------|---------|
| 5,996,245 | A * | 12/1999 | Yamato | 34/138 |
| 6,138,297 | A | 10/2000 | Harris et al. | |
| 6,217,261 | B1 * | 4/2001 | Santa Cruz et al. | 406/145 |
| 6,484,330 | B2 | 11/2002 | Gray et al. | |
| 6,554,580 | B1 * | 4/2003 | Mayfield et al. | 417/56 |
| D545,406 | S * | 6/2007 | Surinak | D23/266 |
| 7,513,301 | B2 * | 4/2009 | Victor | 166/105 |
| 7,846,573 | B2 * | 12/2010 | Kelly | 429/120 |

(Continued)

FOREIGN PATENT DOCUMENTS

WO WO2009/126349 10/2009

OTHER PUBLICATIONS

PCT Search Report, Oct. 21, 2014, Michael Schulze.

(Continued)

Primary Examiner — Eric Goodman
Assistant Examiner — Daniel J Domino

(74) *Attorney, Agent, or Firm* — John J. Connors; Connors & Assoc. pc

(57) **CLAIM**

The ornamental design for a plumbing pipe, as shown and described.

DESCRIPTION

FIG. 1 is a perspective view of a plumbing pipe viewed from its left side.

FIG. 2 is a perspective view of a plumbing pipe viewed from its bottom.

FIG. 3 is a top plan view thereof.

FIG. 4 is a left side elevation view thereof.

FIG. 5 is a front view thereof.

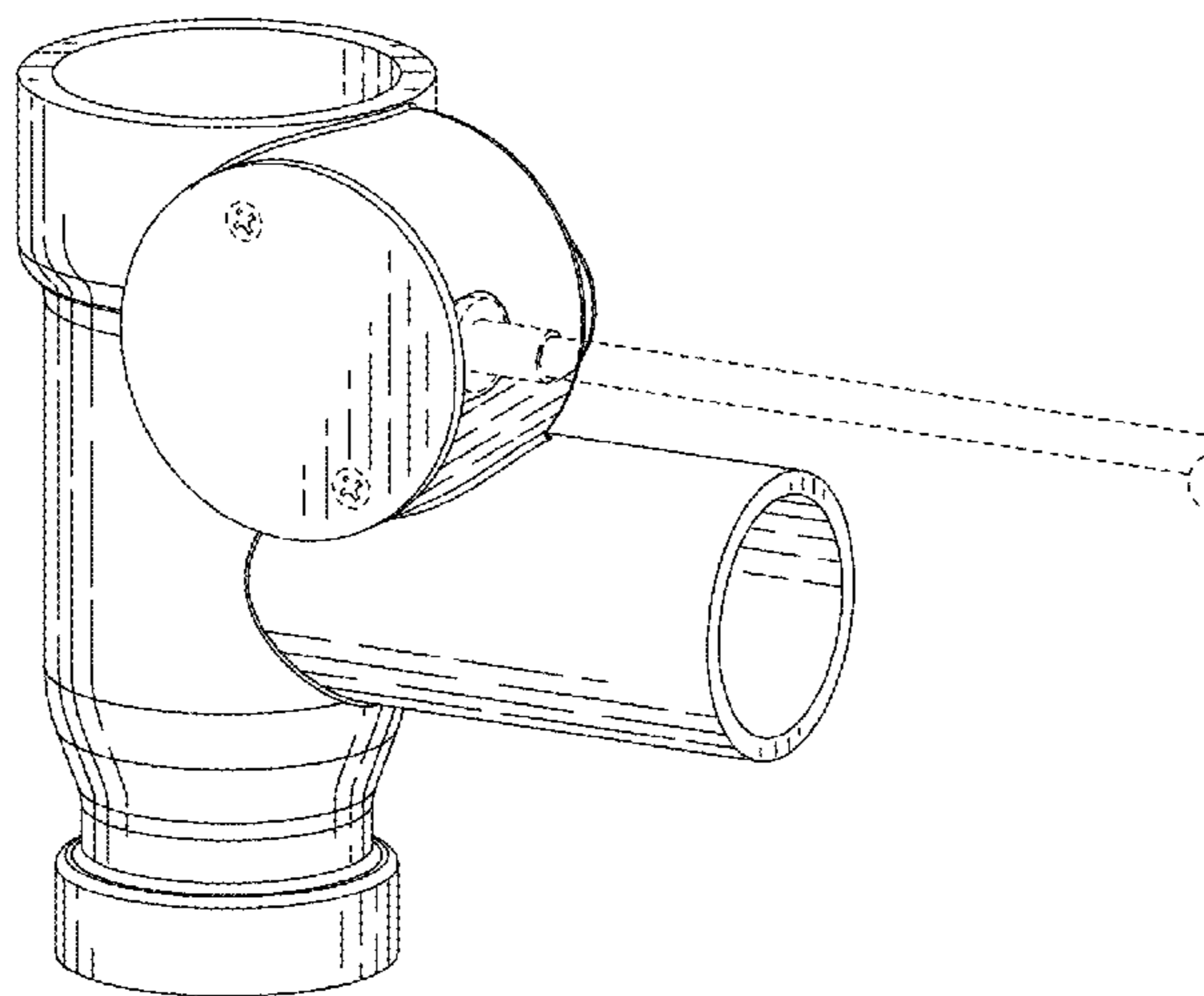
FIG. 6 is a right side elevation view thereof.

FIG. 7 is a rear view thereof; and,

FIG. 8 is a bottom view thereof.

The broken line showing is included for the purpose of illustrating portions of the article and forms no part of the claimed design

1 Claim, 3 Drawing Sheets



(56)

References Cited

U.S. PATENT DOCUMENTS

7,941,878 B1 5/2011 Truong
D644,305 S * 8/2011 White D23/266
D654,990 S * 2/2012 Coley D23/266
2003/0141051 A1 * 7/2003 Abbott et al. 166/53
2004/0034926 A1 2/2004 Ball
2006/0001260 A1 * 1/2006 Thompson 285/125.1
2006/0054329 A1 * 3/2006 Chisholm 166/372

2007/0039098 A1 2/2007 Ball
2007/0236010 A1 * 10/2007 Campau 285/242
2008/0111376 A1 * 5/2008 Ferrero 285/376
2013/0180045 A1 7/2013 Ball
2014/0115777 A1 * 5/2014 Schulze 4/689

OTHER PUBLICATIONS

Written Opinion, MPS Technologies, LLC.

* cited by examiner

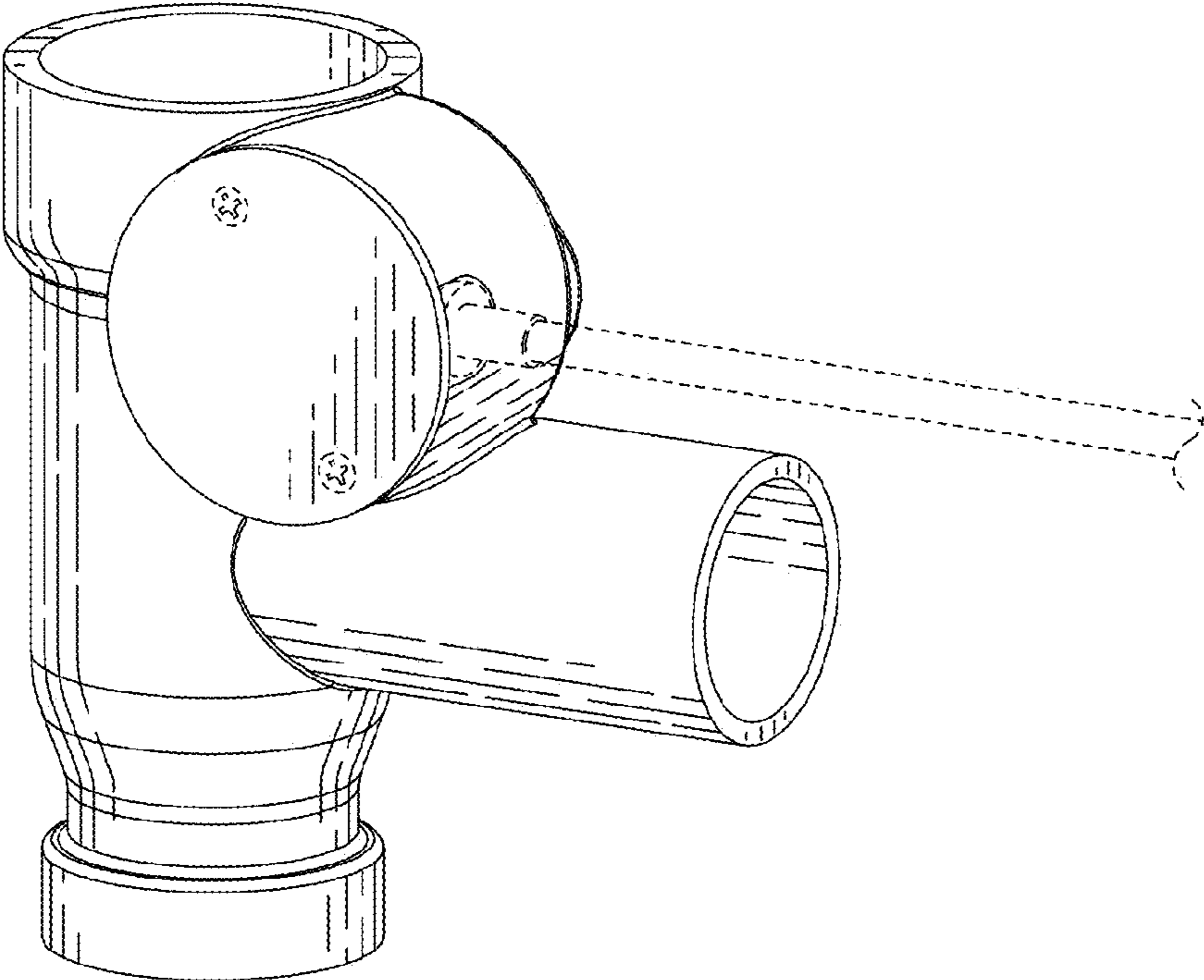


Fig. 1

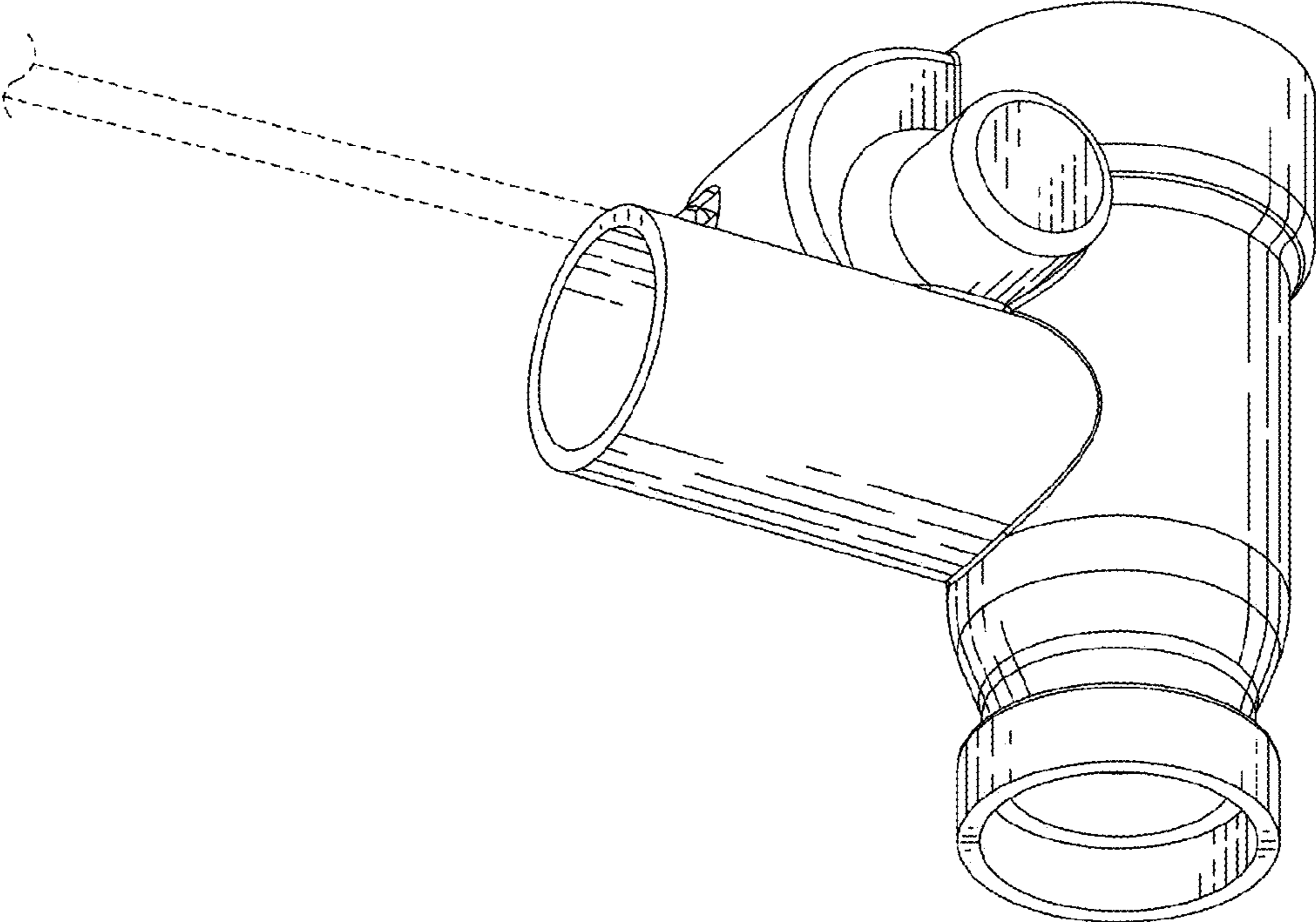


Fig. 2

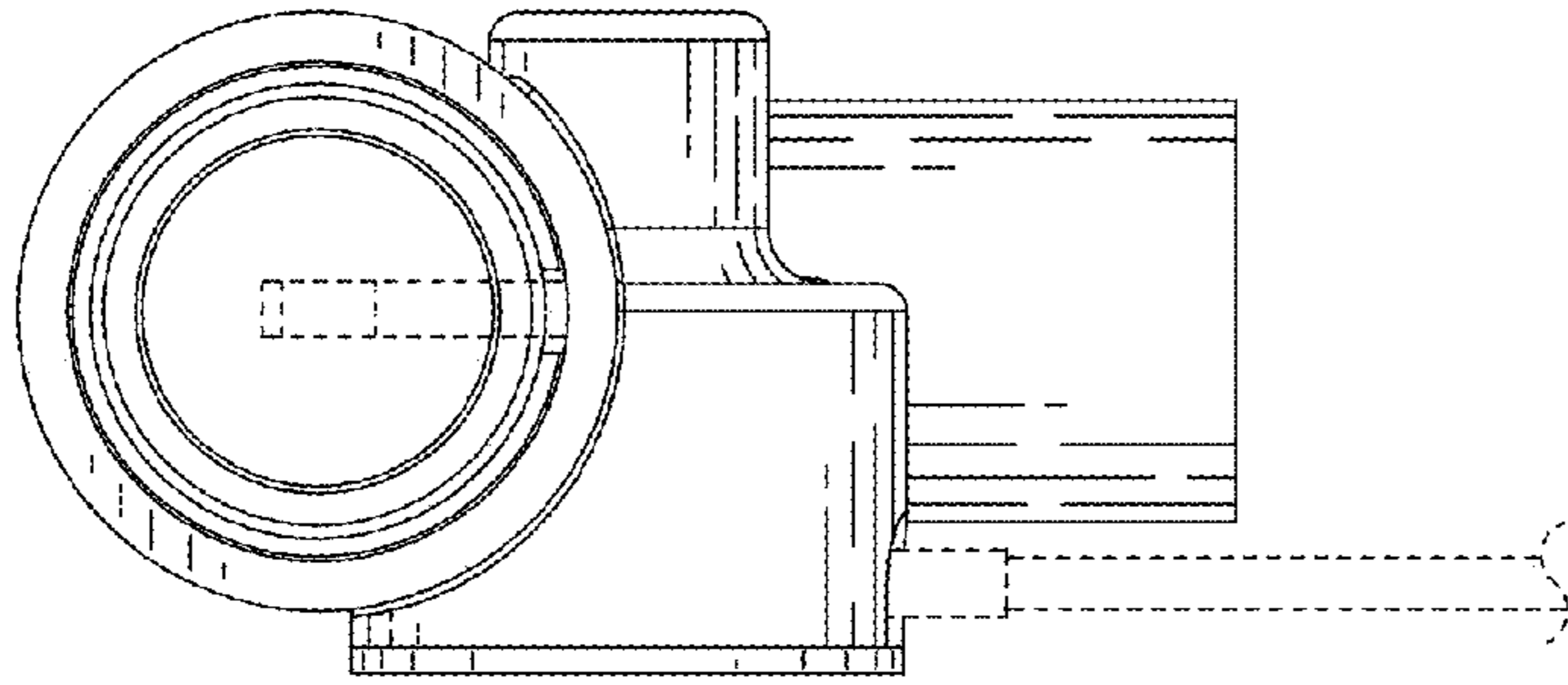


Fig. 3

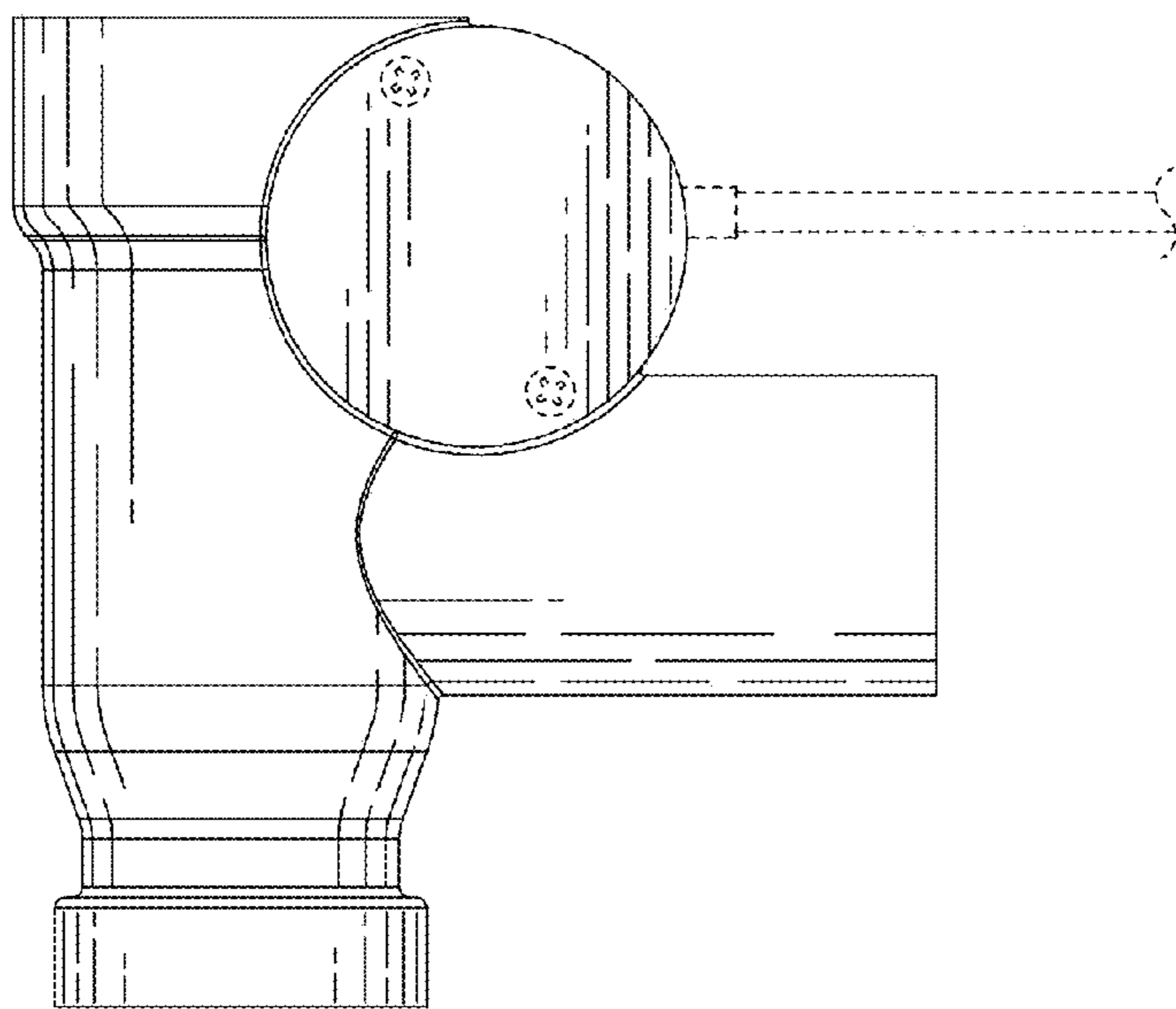


Fig. 4

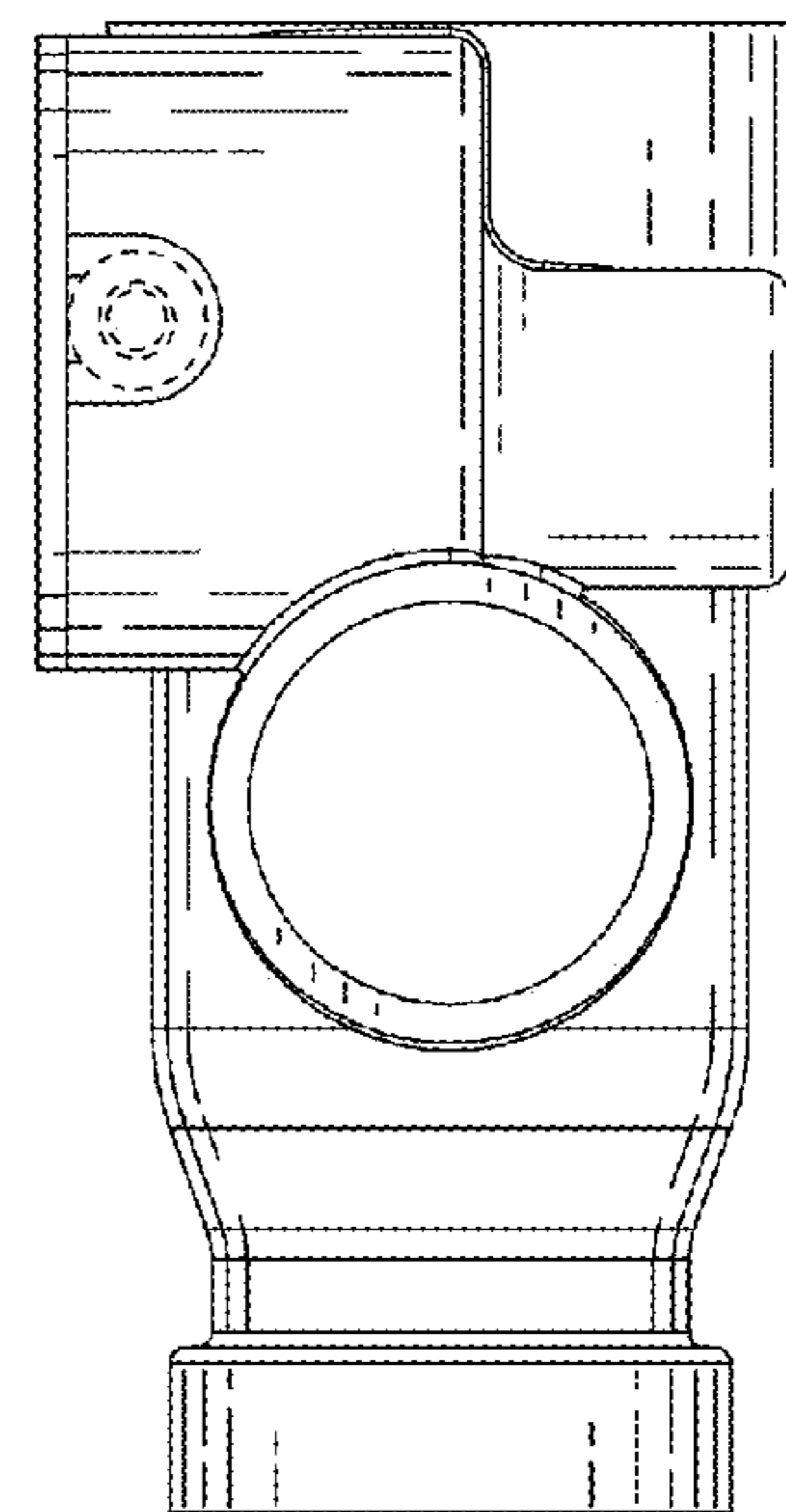


Fig. 5

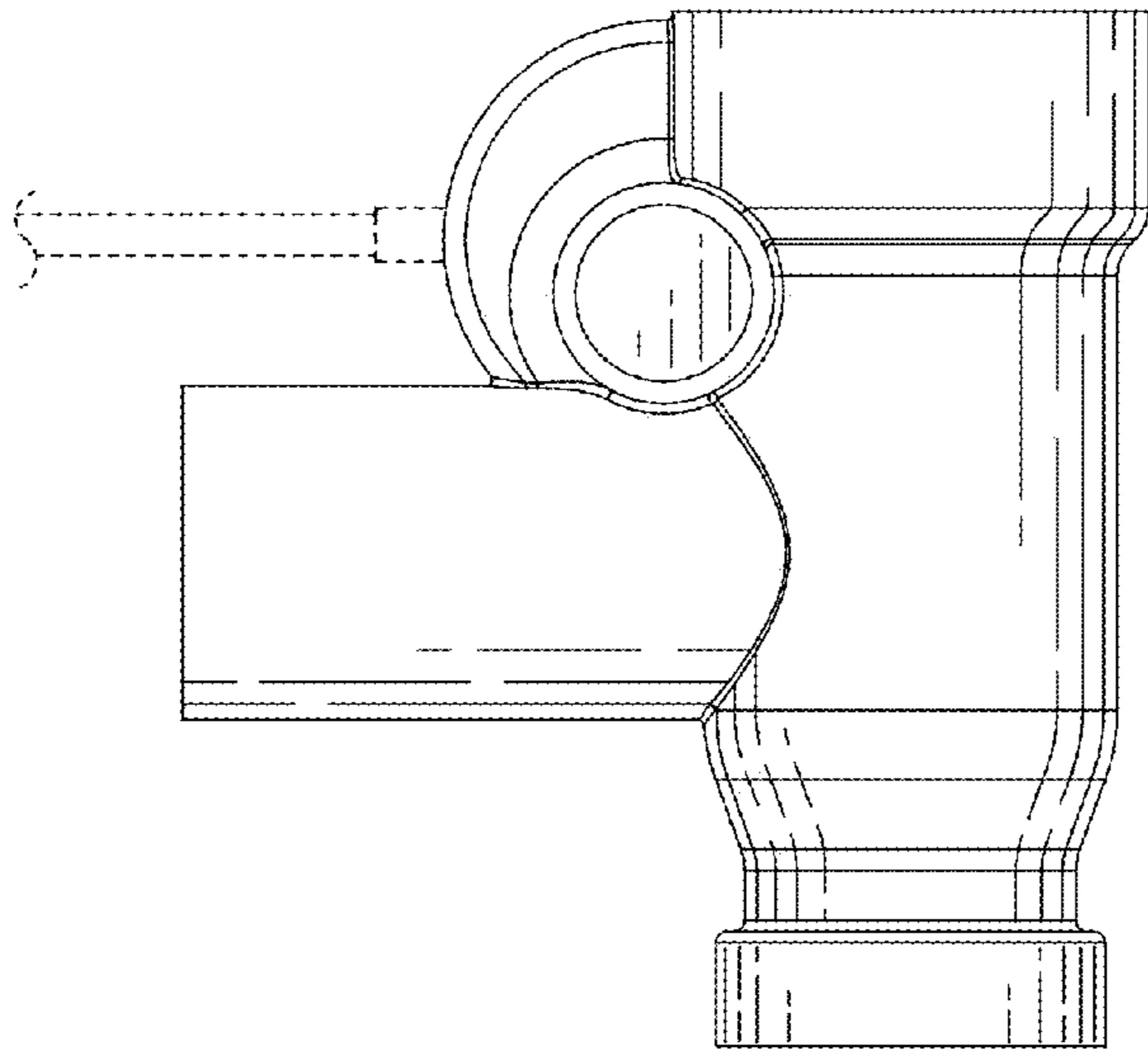


Fig. 6

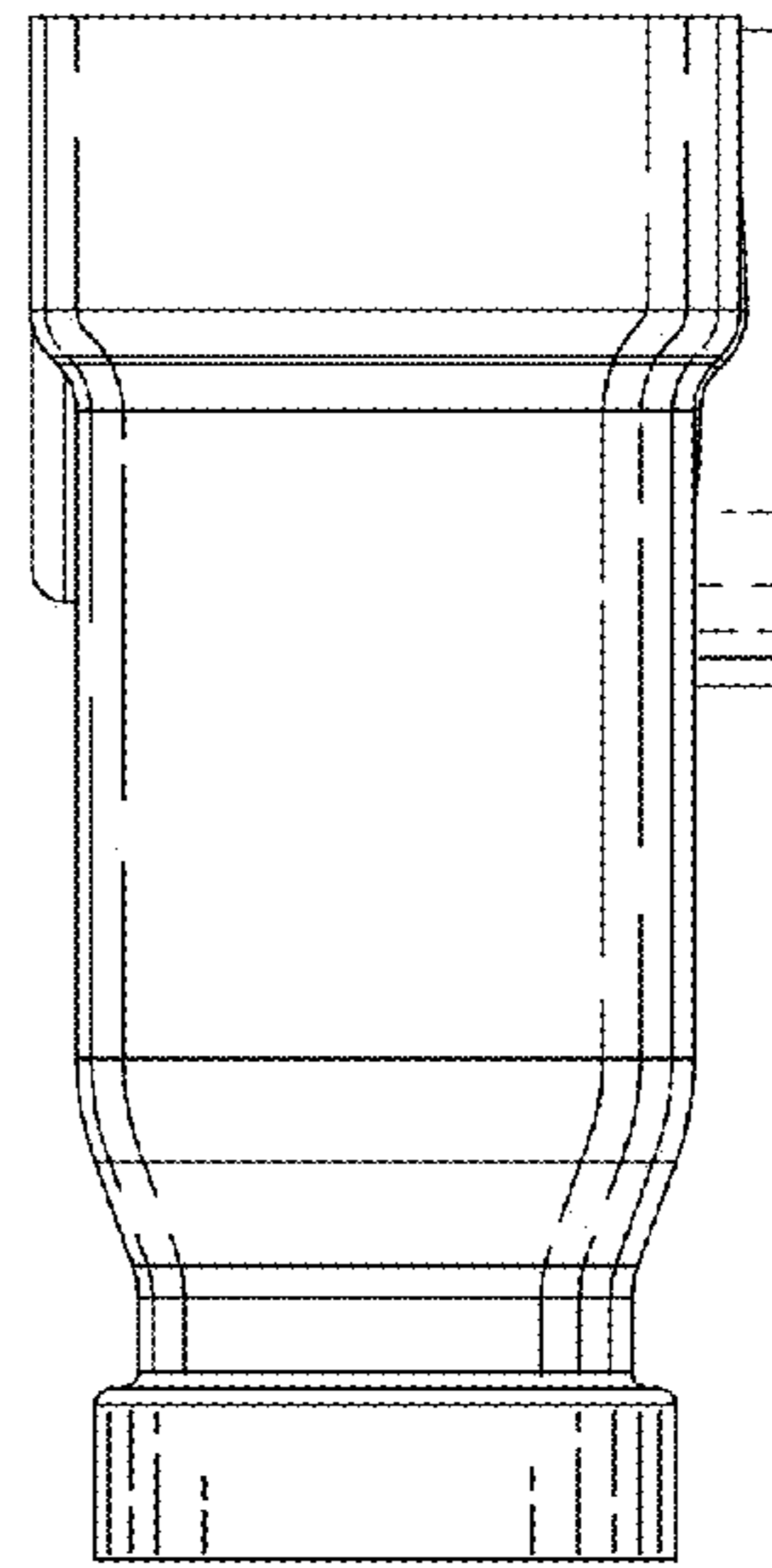


Fig. 7

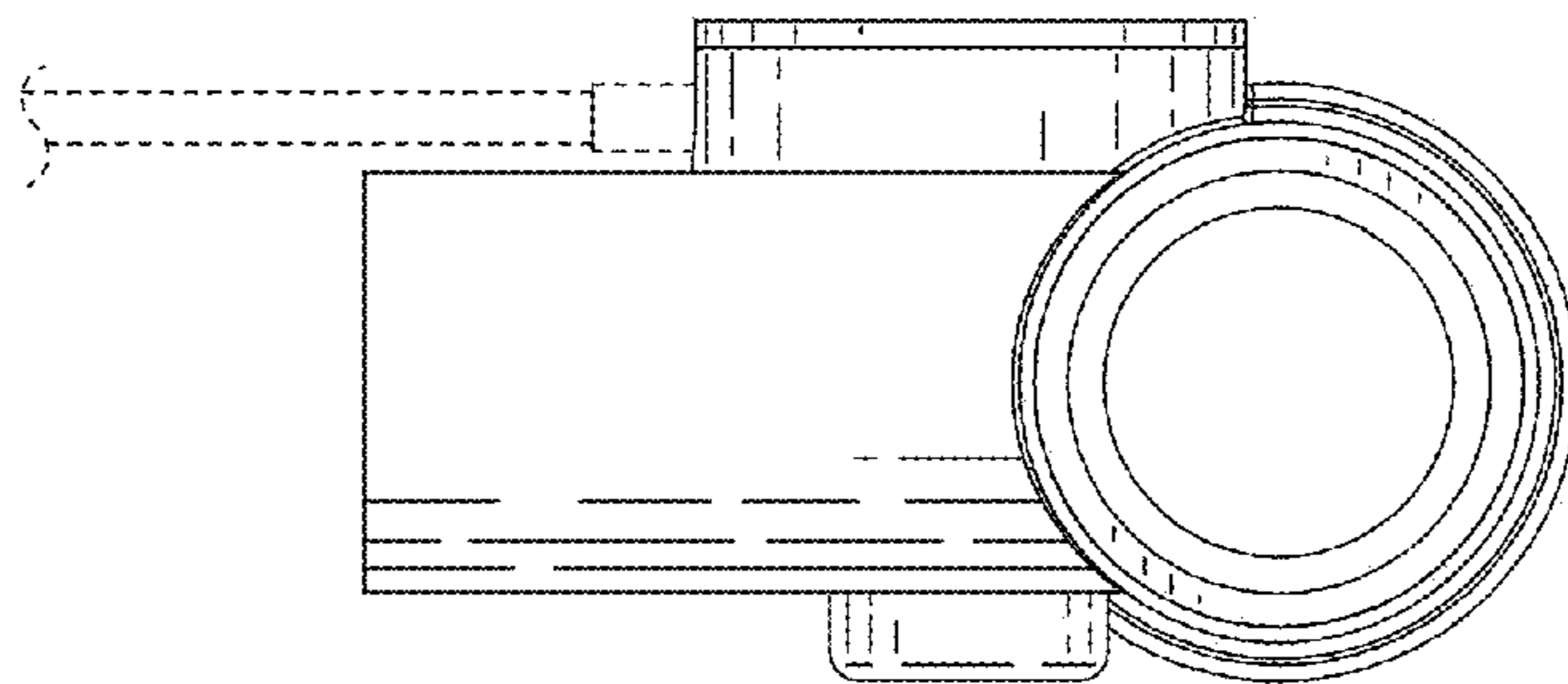


Fig. 8