



US00D729909S

(12) **United States Design Patent**
Castrigno et al.

(10) **Patent No.:** **US D729,909 S**

(45) **Date of Patent:** **** May 19, 2015**

(54) **ELBOW FITTING**

D652,121 S * 1/2012 Bonhag et al. D23/263
D652,122 S * 1/2012 Bonhag et al. D23/263
D676,941 S * 2/2013 Kluss et al. D23/262

(71) Applicant: **Watts Water Technologies, Inc.**, North Andover, MA (US)

(Continued)

(72) Inventors: **Steven Castrigno**, Manchester, NH (US); **Jeffrey A. Scilingo**, Londonderry, NH (US)

FOREIGN PATENT DOCUMENTS

CA 1260663 A1 9/1989

(73) Assignee: **Watts Water Technologies, Inc.**, North Andover, MA (US)

OTHER PUBLICATIONS

D.P. LaMarca et al., "Advancements in Plastic Pipe System Technology", 2010 IAPMO / WPC Emerging Technology Symposium—May 11-12, 2010.

(**) Term: **14 Years**

Primary Examiner — Eric Goodman

Assistant Examiner — Daniel J Domino

(21) Appl. No.: **29/453,624**

(74) *Attorney, Agent, or Firm* — Locke Lord LLP; George N. Chaclas

(22) Filed: **May 1, 2013**

(51) **LOC (10) CL.** **23-01**

(52) **U.S. CL.**
USPC **D23/263**

(57) **CLAIM**

The ornamental design for an elbow fitting, as shown and described.

(58) **Field of Classification Search**
USPC D23/259, 262, 263, 266; D24/129;
D13/154, 155; 138/105, 109, 155, 167,
138/177; 285/58, 179, 179.1, 182
See application file for complete search history.

DESCRIPTION

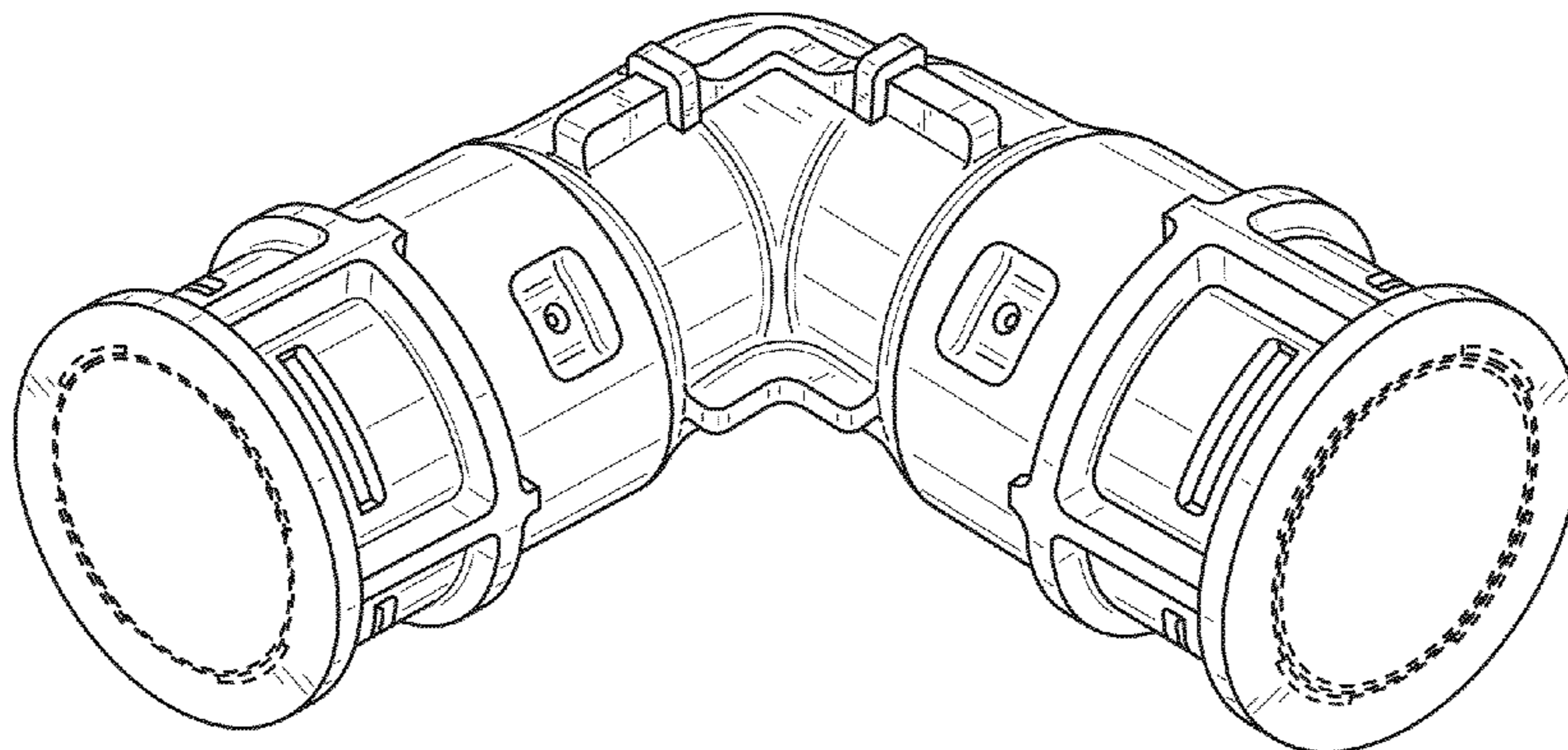
FIG. 1 is a perspective view of an elbow fitting according to the present disclosure.
FIG. 2 is a top view of the elbow fitting according to the present disclosure.
FIG. 3 is a bottom view of the elbow fitting according to the present disclosure.
FIG. 4 is a side view of the elbow fitting according to the present disclosure.
FIG. 5 is another end view, opposite to that of FIG. 4, of the elbow fitting according to the present disclosure.
FIG. 6 is another end view of the elbow fitting according to the present disclosure; and,
FIG. 7 is a side view, opposite to that of FIG. 6, of the elbow fitting according to the present disclosure.
The broken lines are shown for the purposes of illustrating portions of the elbow fitting and form no part of the claimed design.

(56) **References Cited**

U.S. PATENT DOCUMENTS

D52,953 S * 2/1919 Hubbard et al. D13/155
D52,954 S * 2/1919 Hubbard et al. D13/155
D229,410 S * 11/1973 Luckenbill et al. D23/263
D291,481 S * 8/1987 Vassallo et al. D23/263
D296,816 S * 7/1988 Budzinski et al. D23/263
D354,801 S * 1/1995 Grant et al. D23/263
D389,562 S * 1/1998 Picton D23/263
D561,302 S * 2/2008 Brockington et al. D23/262
D564,637 S * 3/2008 Brockington et al. D23/263
D597,636 S * 8/2009 Choi D23/263
D615,631 S * 5/2010 Price et al. D23/263
D634,818 S * 3/2011 Leroyer D23/263
D634,819 S * 3/2011 Leroyer D23/263
D634,820 S * 3/2011 Leroyer D23/263
7,984,738 B2 7/2011 LaMarca et al.

1 Claim, 4 Drawing Sheets



US D729,909 S

Page 2

(56)

References Cited

U.S. PATENT DOCUMENTS

D705,402 S * 5/2014 Yu D23/262
D712,015 S * 8/2014 Yu D23/263
2003/0116963 A1* 6/2003 Teuscher et al. 285/179
2006/0197338 A1 9/2006 Ziu et al.

2007/0007763 A1* 1/2007 Deaton 285/179
2009/0314770 A1 12/2009 LaMarca et al.
2010/0072742 A1 3/2010 LaMarca et al.
2013/0069361 A1* 3/2013 Cai et al. 285/133.21
2013/0200610 A1* 8/2013 Cygler et al. 285/132.1
2014/0077491 A1* 3/2014 Jung et al. 285/197

* cited by examiner

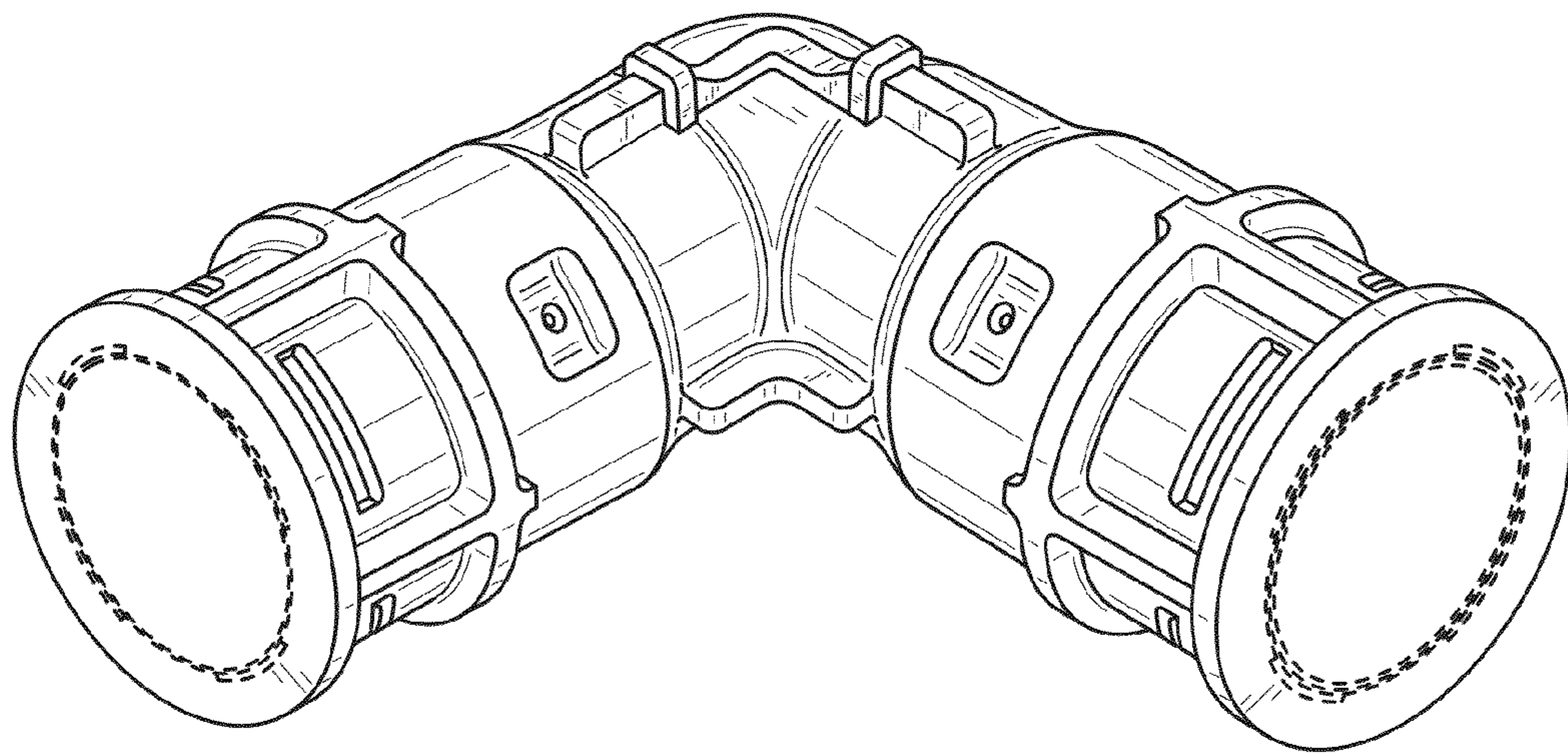


FIG. 1

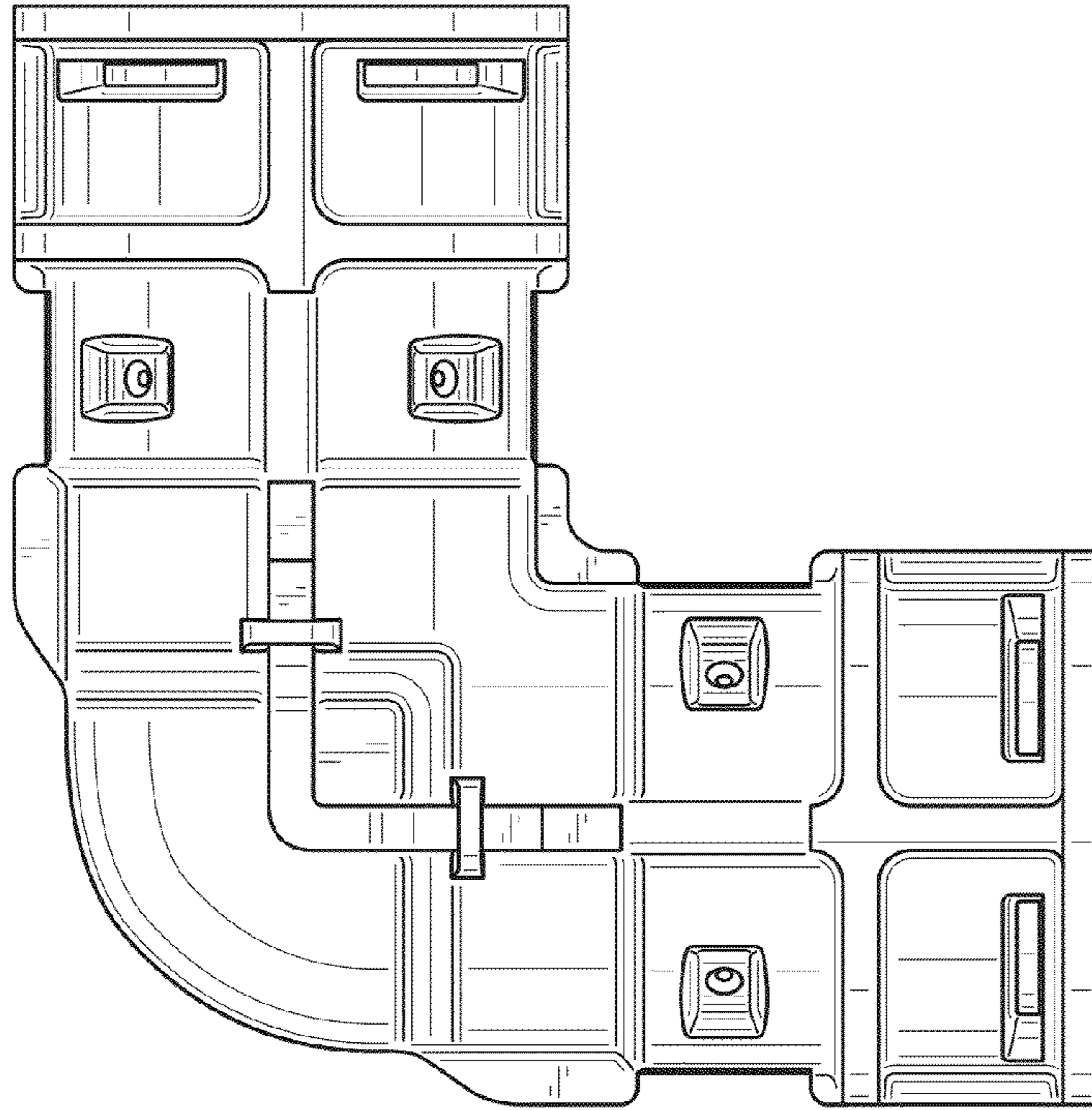


FIG. 2

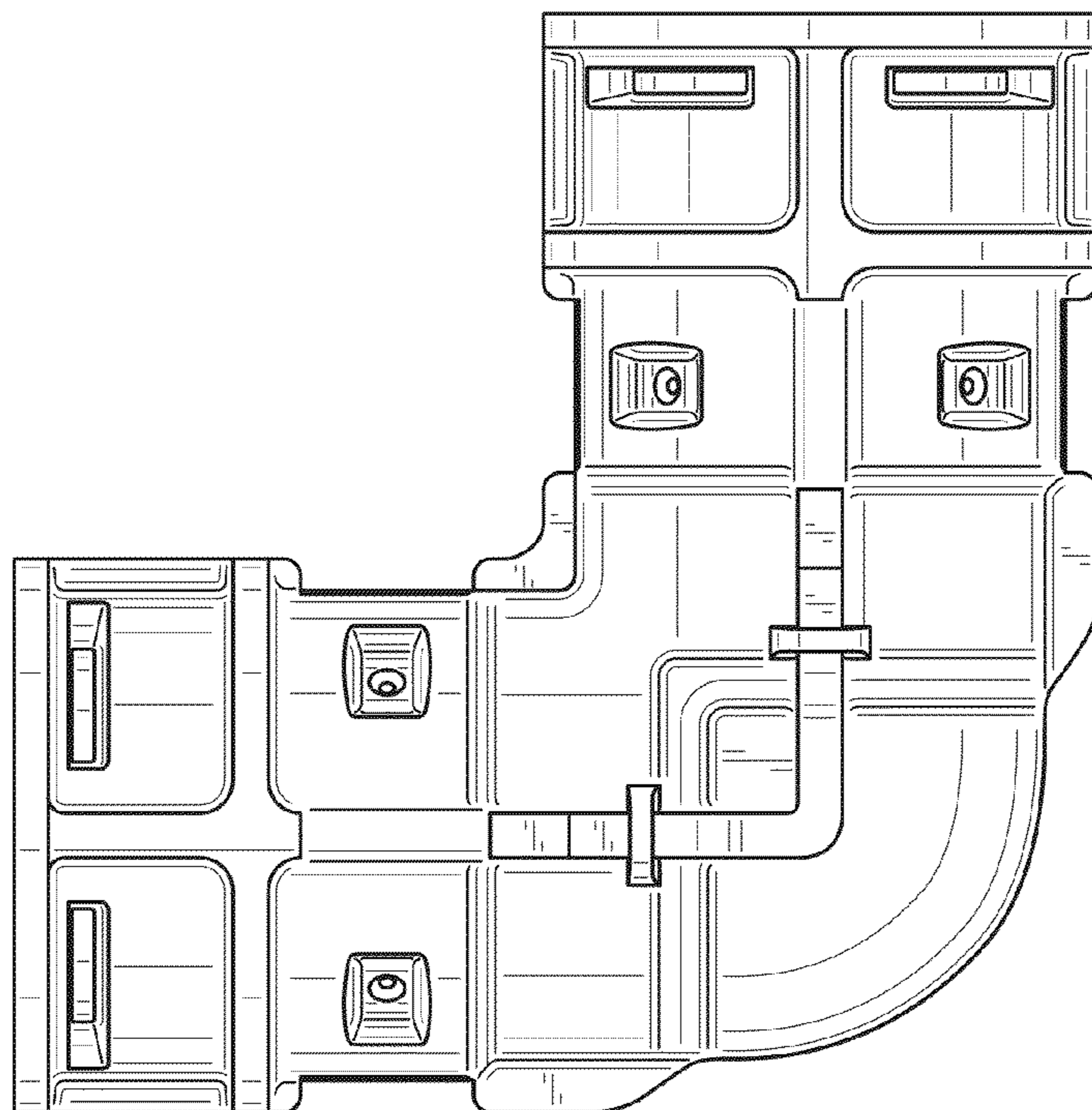


FIG. 3

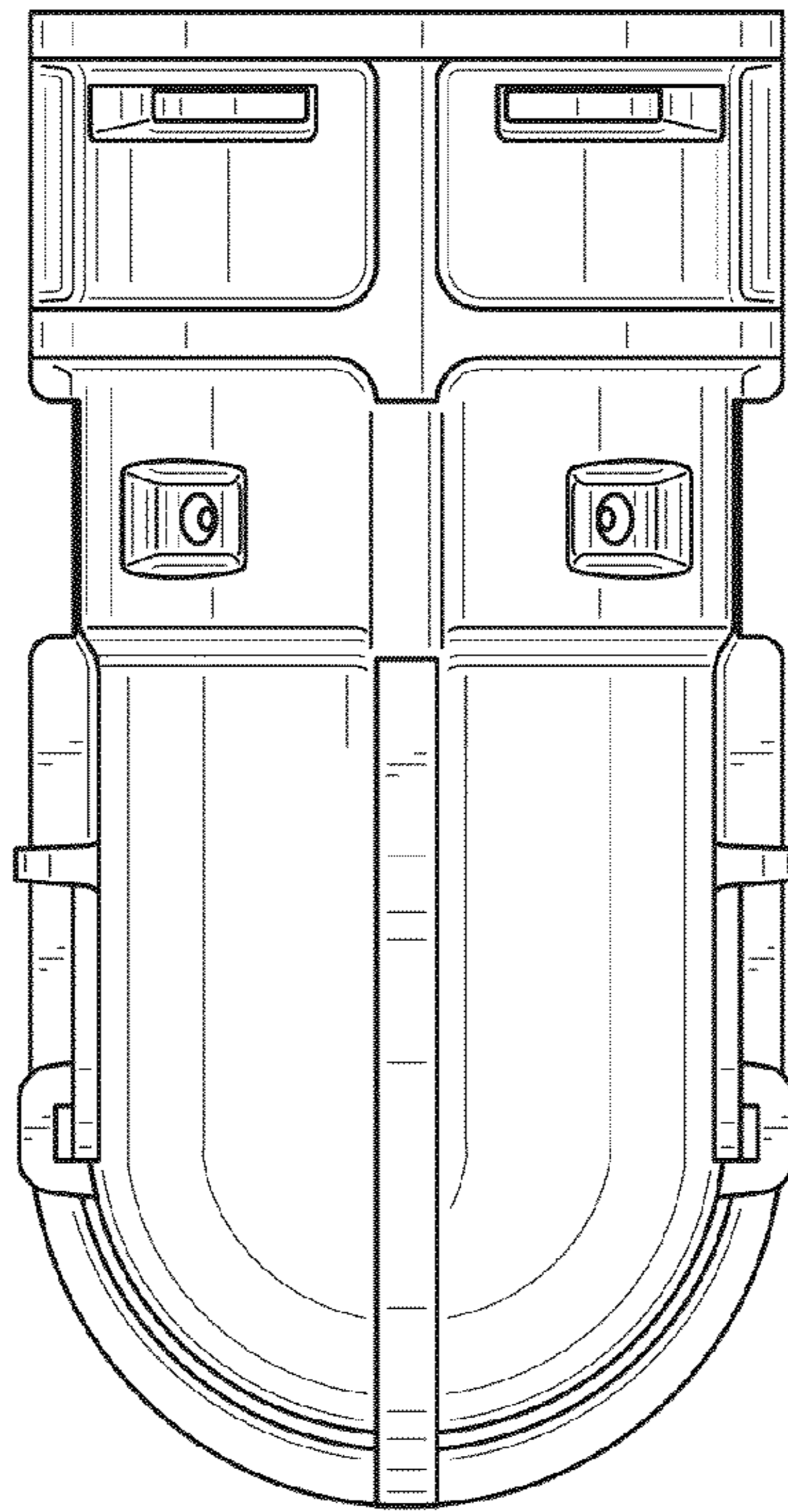


FIG. 4

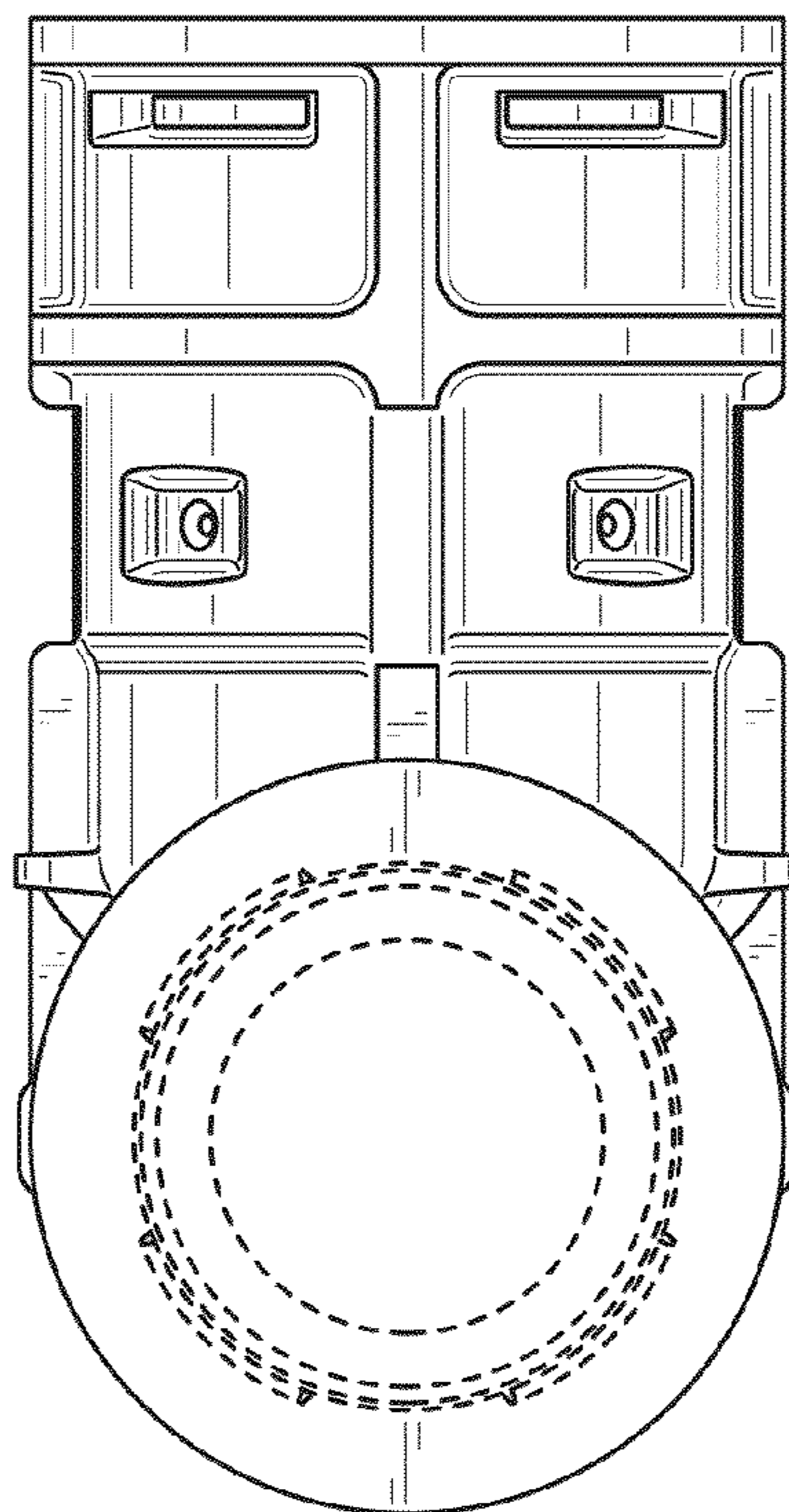


FIG. 5

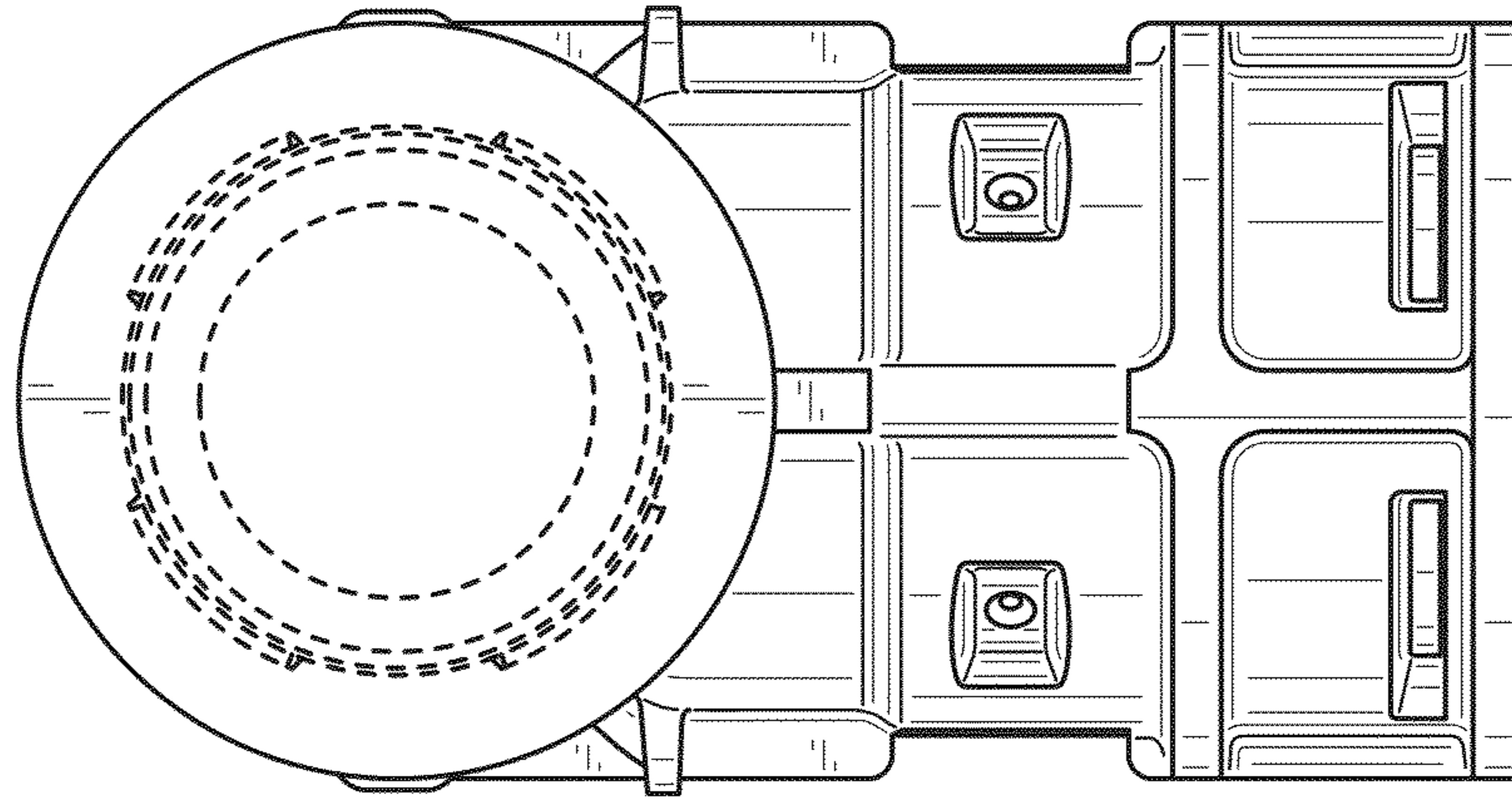


FIG. 6

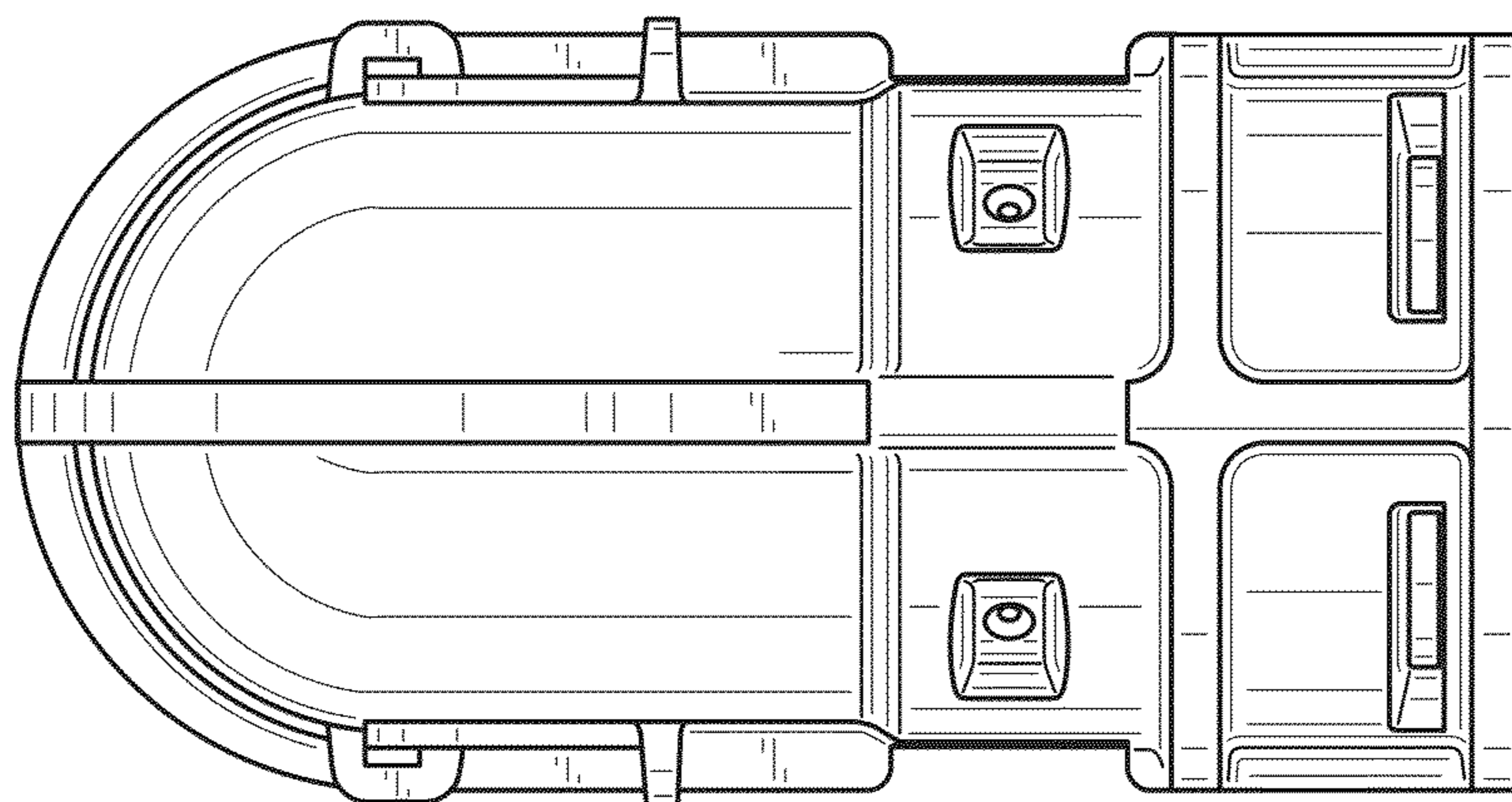


FIG. 7