



US00D729908S

(12) **United States Design Patent**
Lohmann

(10) **Patent No.:** **US D729,908 S**

(45) **Date of Patent:** **** May 19, 2015**

(54) **EMERGENCY DRAIN**

(71) Applicant: **BLUCHER METAL A/S**, Vildbjerg (DK)

(72) Inventor: **Hans Lohmann**, Soro (DK)

(73) Assignee: **Blucher Metal A/S**, Vildbjerg (DK)

(**) Term: **14 Years**

(21) Appl. No.: **29/432,754**

(22) Filed: **Sep. 20, 2012**

(30) **Foreign Application Priority Data**

Mar. 21, 2012 (EM) 002012435-0001
Mar. 21, 2012 (EM) 002012435-0002

(51) **LOC (10) Cl.** **23-01**

(52) **U.S. Cl.**
USPC **D23/261**

(58) **Field of Classification Search**
USPC D23/259, 260, 261, 262, 263, 264, 265;
D15/150, 151, 152; D24/129; 166/386,
166/387; 210/248; D9/439, 447; 242/160.1
See application file for complete search history.

(56) **References Cited**

U.S. PATENT DOCUMENTS

D258,379 S * 2/1981 Joseph D23/259
5,560,163 A * 10/1996 Carlton 52/169.5
D375,786 S * 11/1996 Morris D23/260
D453,815 S * 2/2002 Hoenig D23/259
D455,819 S * 4/2002 Hoenig D23/259
D596,487 S * 7/2009 Batton et al. D9/447
D629,874 S * 12/2010 Hermans D23/260
D682,690 S * 5/2013 Bowes D9/439
D688,283 S * 8/2013 Choi D15/152

D693,923 S * 11/2013 Hernandez et al. D24/129
D700,299 S * 2/2014 Mjelde D23/261
D701,293 S * 3/2014 Mjelde D23/261
2007/0102450 A1 * 5/2007 Stiers 222/181.1
2010/0000930 A1 * 1/2010 Ahuja et al. 210/248
2011/0114778 A1 * 5/2011 Andersson 242/160.1
2013/0048312 A1 * 2/2013 Walls 166/386

OTHER PUBLICATIONS

Emergency Drain Stand Pipe, Products, Blucher.com, Searched Aug. 28, 2014, <http://www.blucher.com/product-view/ean/5705499132991/>.*

Emergency Drain Stand Pipe Type, Roof Drain Systems, Blucher Online Catalogue, Searched Aug. 28, 2014, http://www.blucher.com/fileadmin/user_upload/.com/Product_catalogs/CURoofCatalogue.pdf.*

Emergency Drain Stand Pipe, Pipe Fittings & Flanges, hellotrade.com, Searched Aug. 28, 2014, http://www.blucher.com/fileadmin/user_upload/.com/Product_catalogs/CURoofCatalogue.pdf.*

* cited by examiner

Primary Examiner — Eric Goodman

Assistant Examiner — Steven Czyz

(74) *Attorney, Agent, or Firm* — Sheridan Ross P.C.

(57) **CLAIM**

The ornamental design for an emergency drain, as shown and described.

DESCRIPTION

FIG. 1 is a perspective view of an emergency drain showing my new design in a first embodiment:

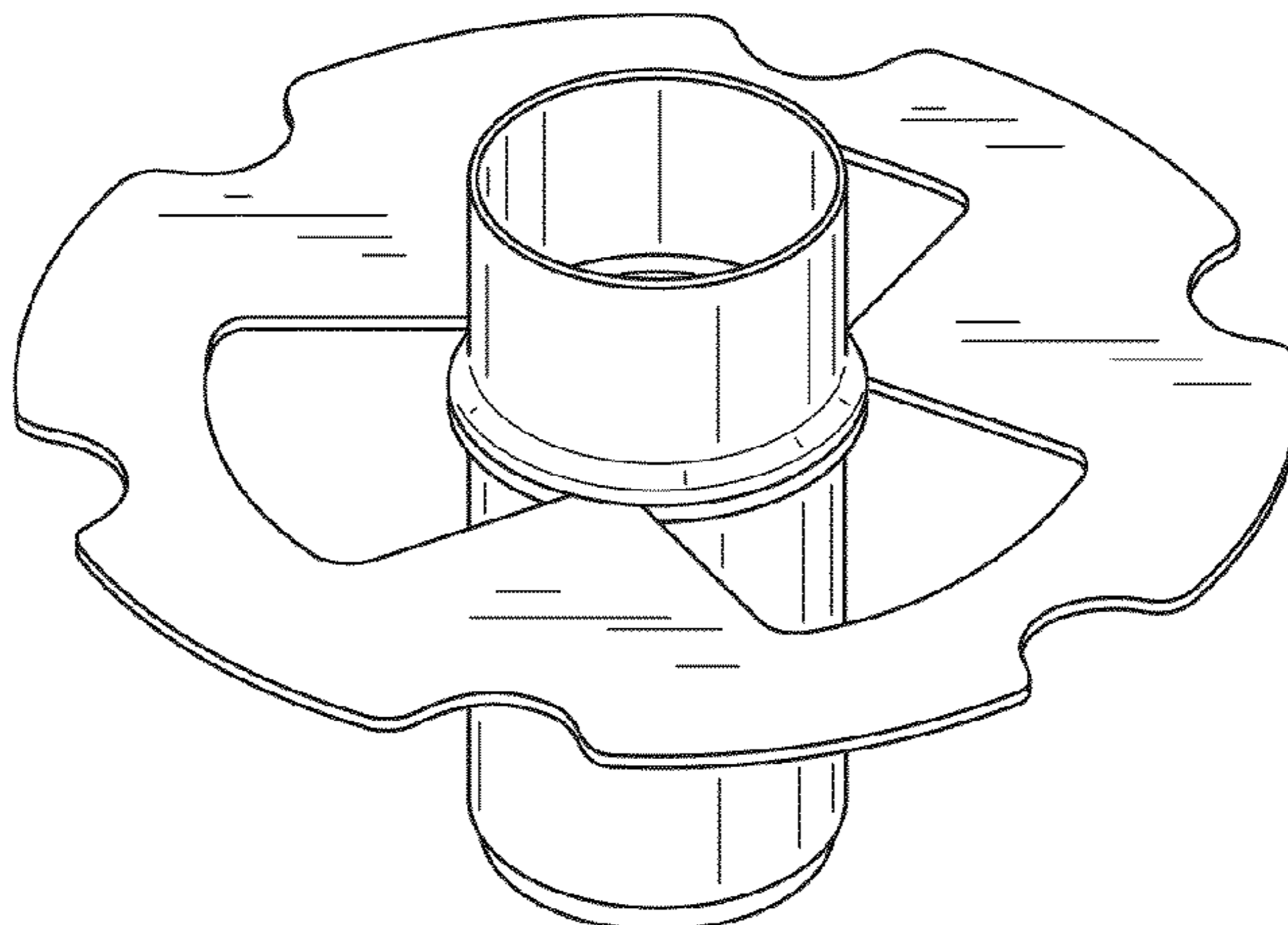
FIG. 2 is a front elevation view of FIG. 1, a rear elevation view being a mirror image;

FIG. 3 is a top plan view of FIG. 1;

FIG. 4 is a left side view of FIG. 1, a right side view being a mirror image; and,

FIG. 5 is a bottom plan view of FIG. 1.

1 Claim, 3 Drawing Sheets



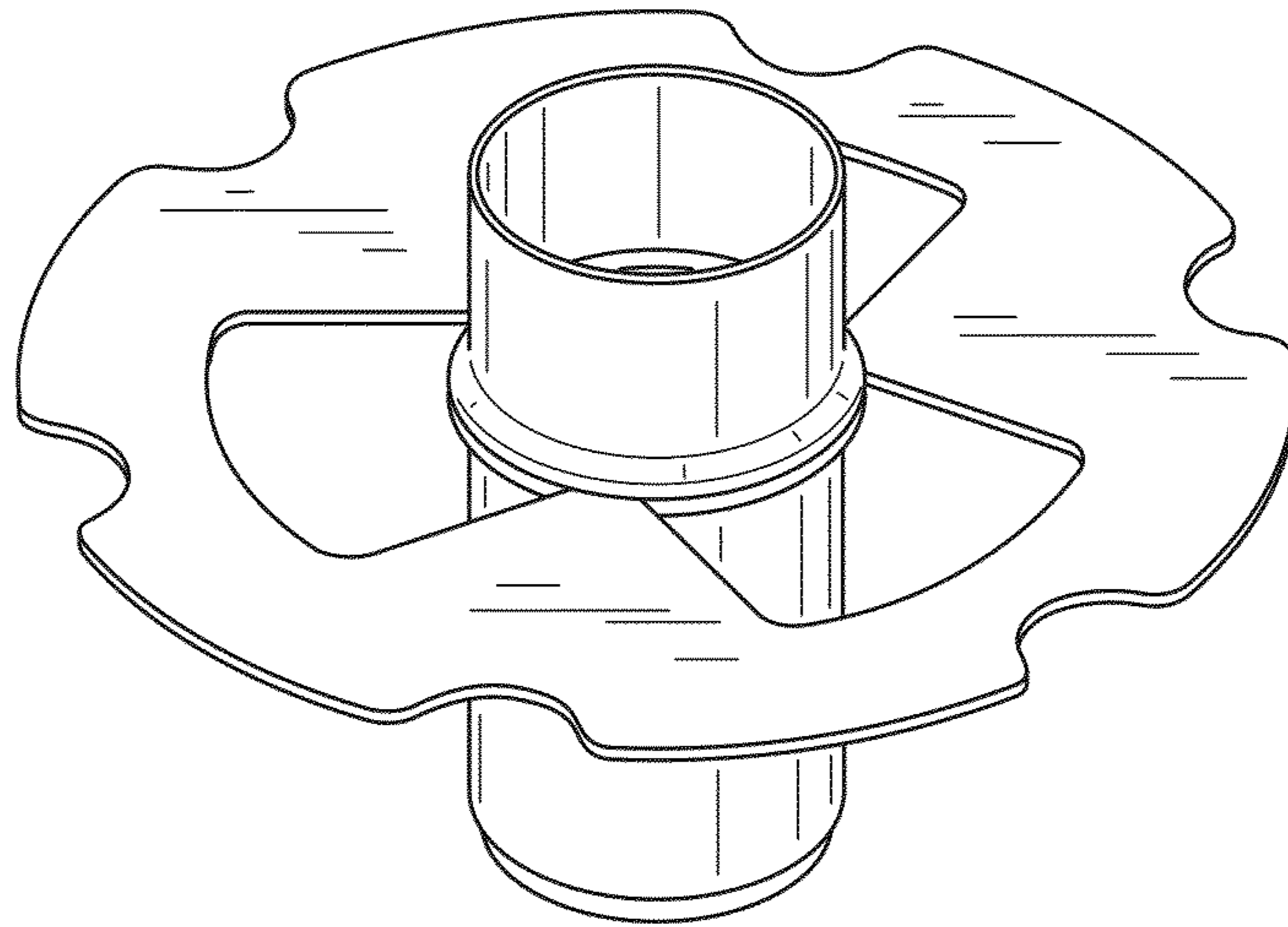


FIG.1

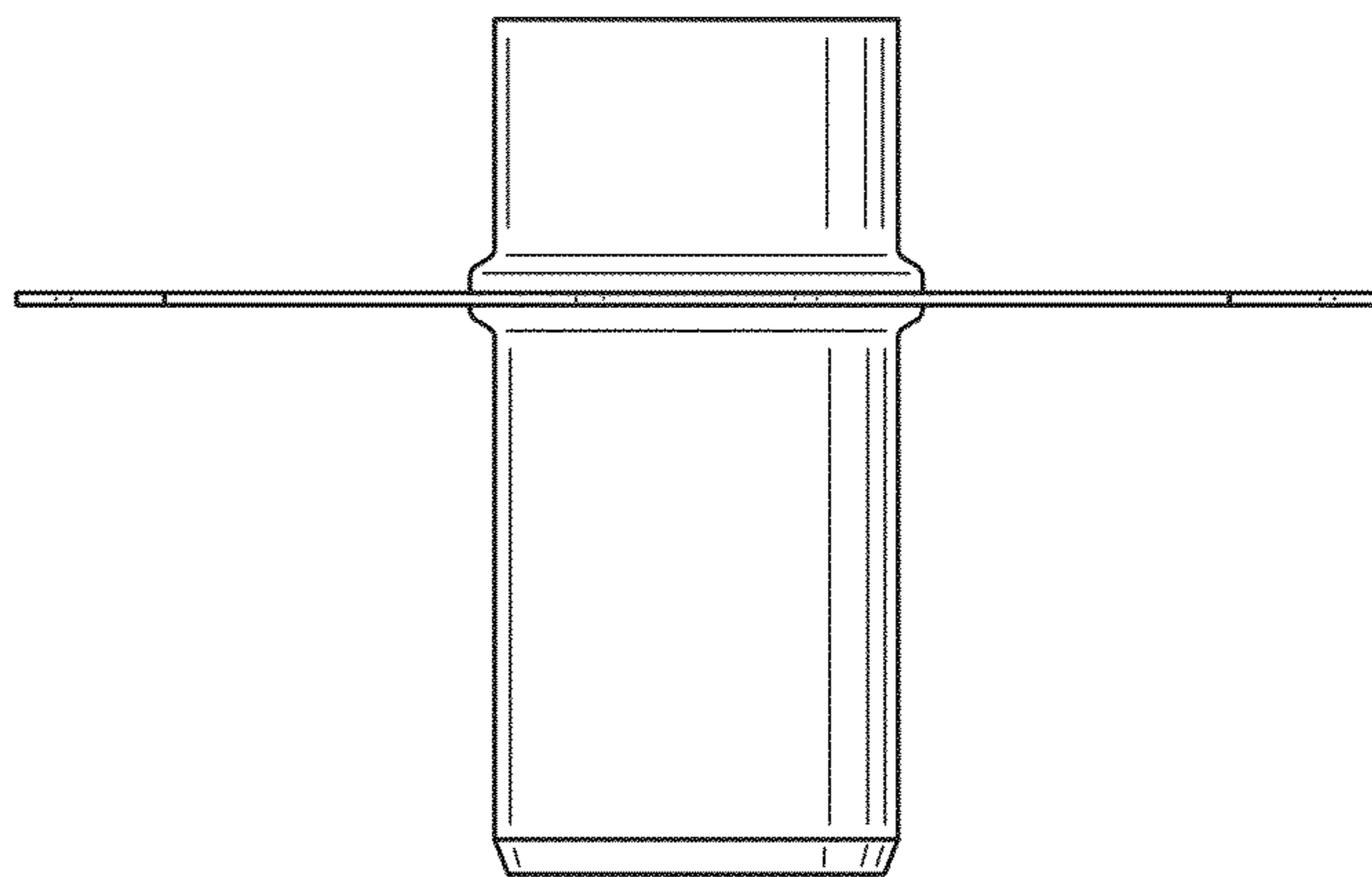


FIG.2

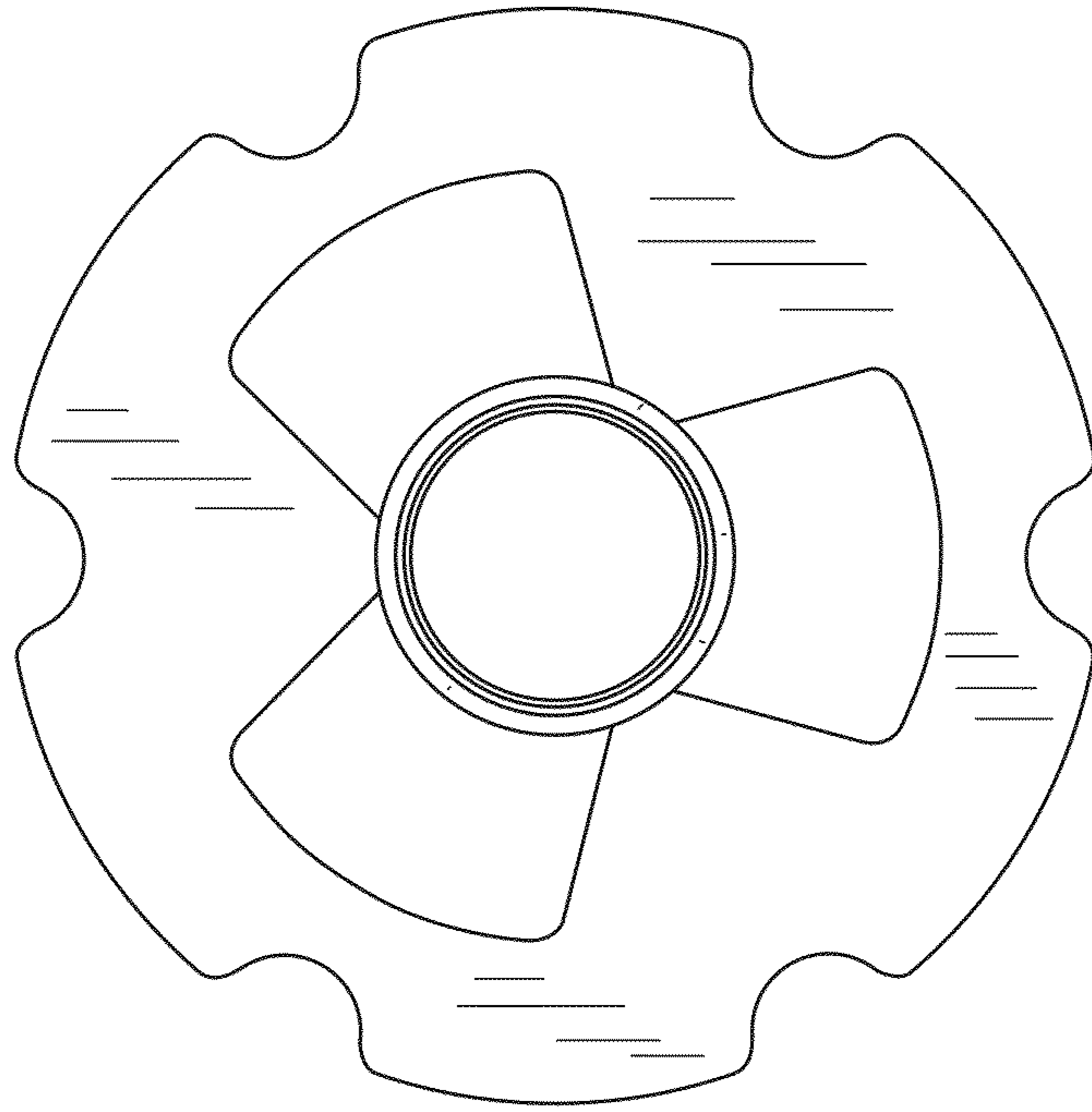


FIG.3

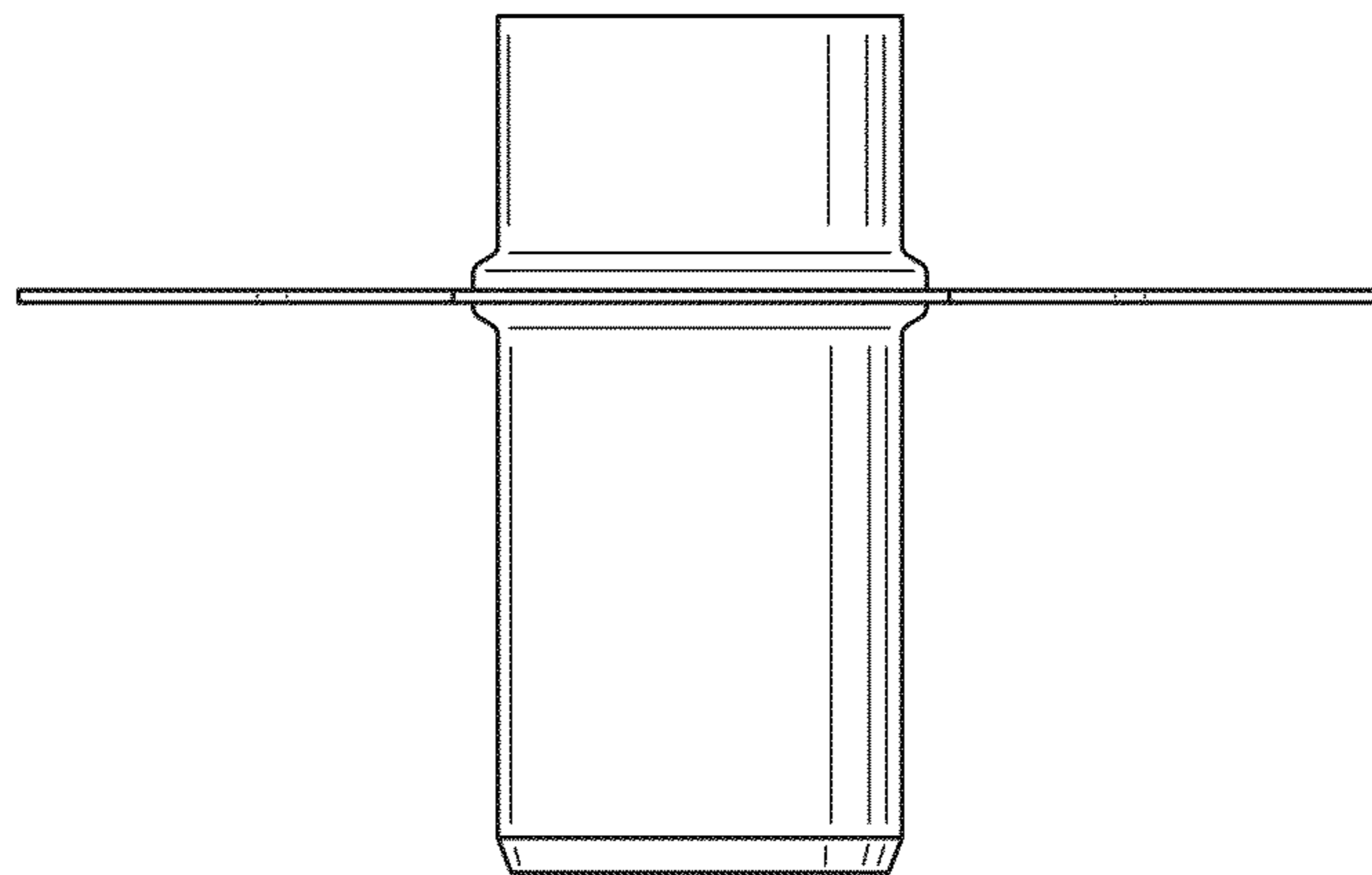


FIG.4

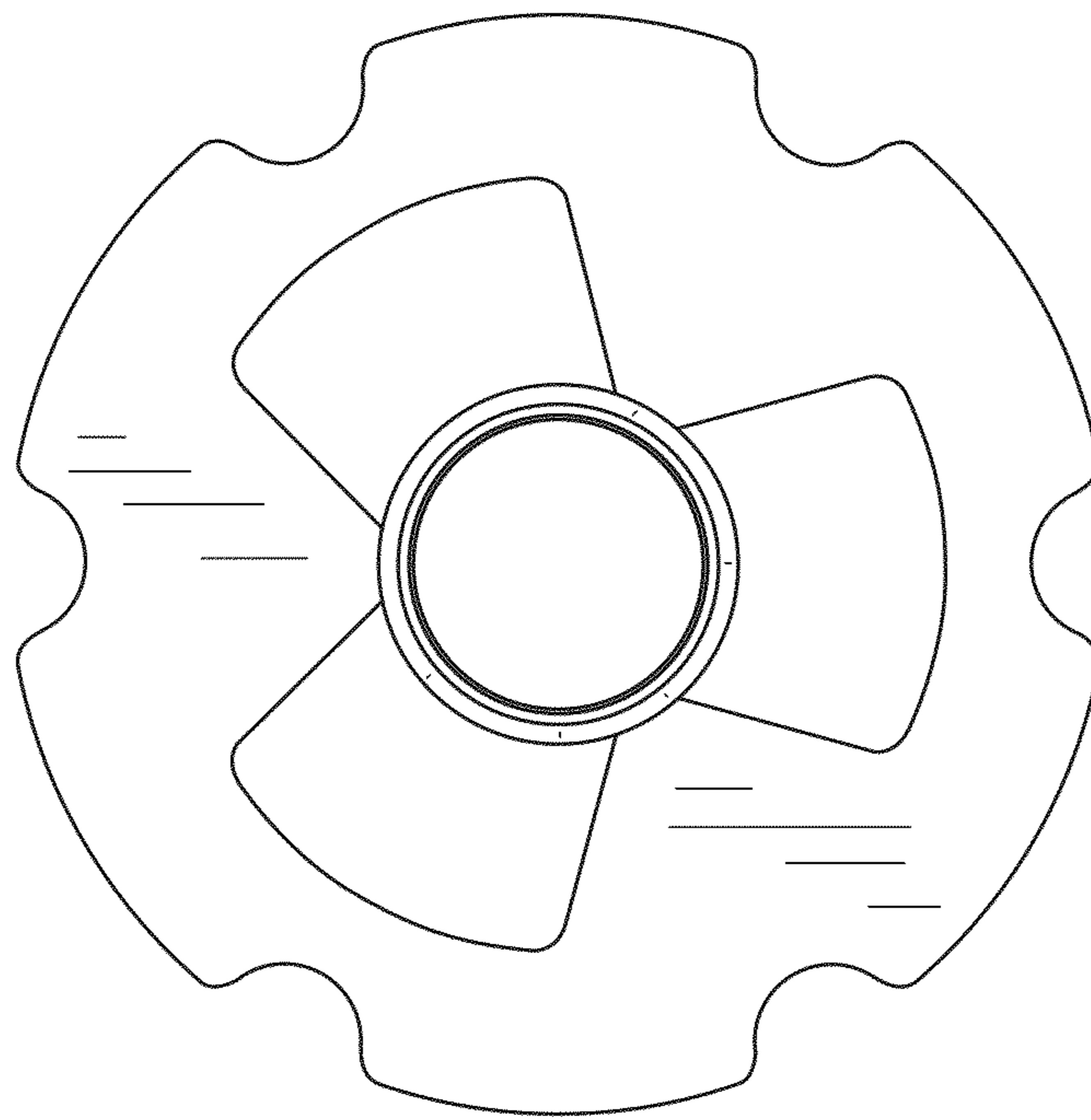


FIG.5