



US00D729907S

(12) **United States Design Patent**  
**Castrigno et al.**

(10) **Patent No.:** **US D729,907 S**  
(45) **Date of Patent:** **\*\* May 19, 2015**

(54) **END CAP PIPE FITTING**

FOREIGN PATENT DOCUMENTS

(71) Applicant: **Watts Water Technologies, Inc.**, North Andover, MA (US)

CA 1260663 A1 9/1989

(72) Inventors: **Steven Castrigno**, Manchester, NH (US); **Jeffrey A. Scilingo**, Londonderry, NH (US)

OTHER PUBLICATIONS

IPS Caps, Fittings, Pipe Fusion, watts.com, Searched Sep. 23, 2014, [http://www.watts.com/pages/\\_products\\_details.asp?pid=7524.\\*](http://www.watts.com/pages/_products_details.asp?pid=7524.*)

(Continued)

(73) Assignee: **Watts Water Technologies, Inc.**, North Andover, MA (US)

*Primary Examiner* — Eric Goodman

*Assistant Examiner* — Steven Czyz

(\*\*) Term: **14 Years**

(74) *Attorney, Agent, or Firm* — Locke Lord LLP; George N. Chaclas

(21) Appl. No.: **29/453,638**

(22) Filed: **May 1, 2013**

(51) **LOC (10) Cl.** ..... **23-01**

(57) **CLAIM**

(52) **U.S. Cl.**

The ornamental design for an end cap pipe fitting, as shown and described.

USPC ..... **D23/260**

(58) **Field of Classification Search**

USPC ..... D23/259, 260, 261, 262, 263, 264, 265; D9/447, 453; 138/89, 89.1, 89.3, 90, 138/96 R, 96 T; D24/129; D12/607; 215/316  
See application file for complete search history.

**DESCRIPTION**

FIG. 1 is a perspective view of the end cap pipe fitting according to the present disclosure.

FIG. 2 is a top view of the end cap pipe fitting according to the present disclosure.

FIG. 3 is a bottom view of the end cap pipe fitting according to the present disclosure.

FIG. 4 is a side view of the end cap pipe fitting according to the present disclosure.

FIG. 5 is a side view of the end cap pipe fitting according to the present disclosure.

FIG. 6 is an end view of the end cap pipe fitting according to the present disclosure; and,

FIG. 7 is an end view of the end cap pipe fitting according to the present disclosure.

The broken lines are shown for the purposes of illustrating portions of the end cap pipe fitting and form no part of the claimed design.

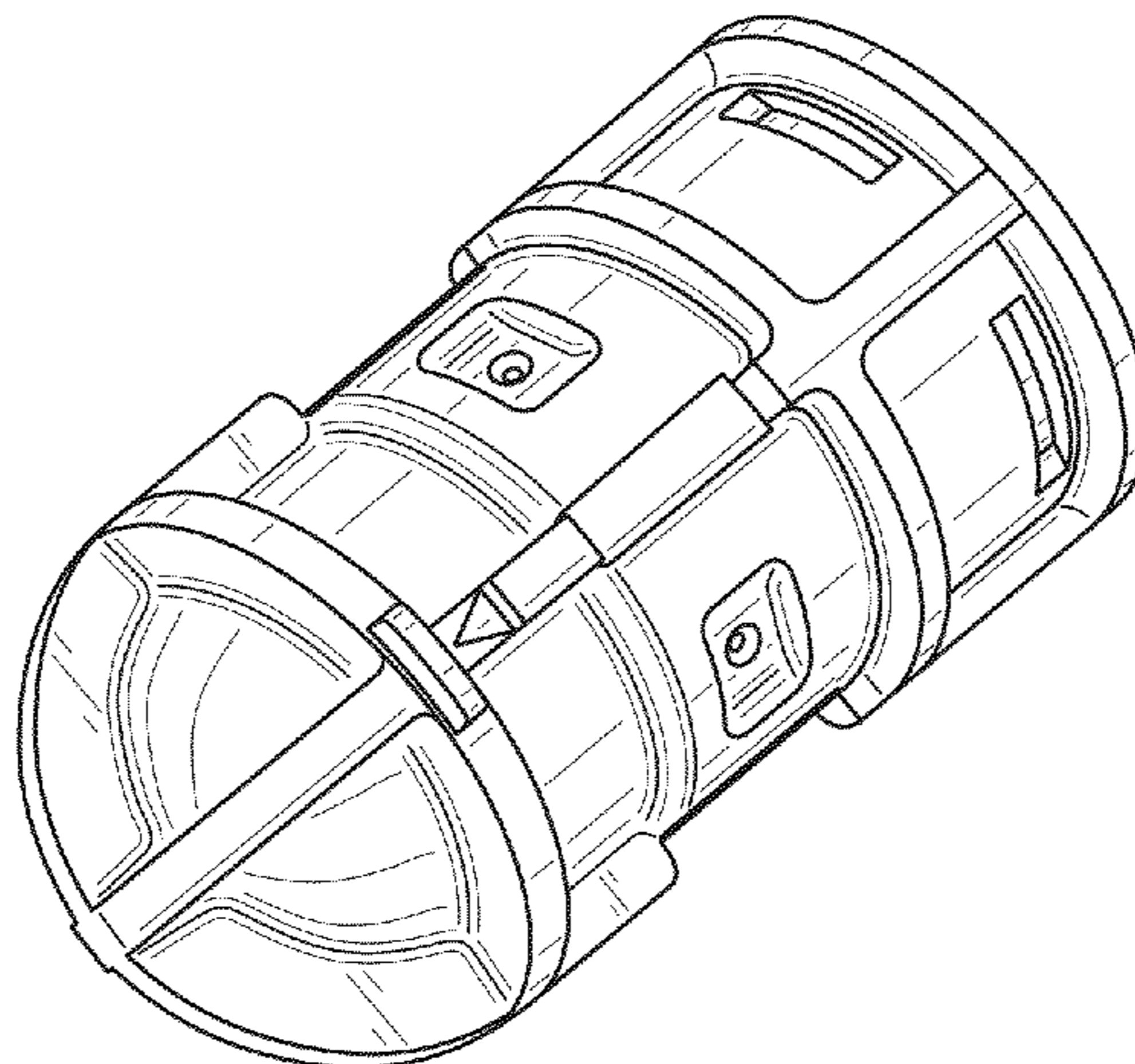
(56) **References Cited**

U.S. PATENT DOCUMENTS

D284,555 S *	7/1986	Schornagel	.....	D9/453
D294,170 S *	2/1988	Kostanecki et al.	.....	D23/260
D298,849 S *	12/1988	Lanoue	.....	D23/260
D338,725 S *	8/1993	Trampush	.....	D23/261
5,368,074 A *	11/1994	Hall	.....	138/96 T
5,850,854 A *	12/1998	Carroll	.....	138/96 R
D450,106 S *	11/2001	Herr	.....	D23/261
6,568,430 B1 *	5/2003	Shafer	.....	138/96 R
D531,031 S *	10/2006	Lussier et al.	.....	D9/447
D612,913 S *	3/2010	Evans et al.	.....	D23/260
D615,161 S *	5/2010	Gerson et al.	.....	D23/249
D623,049 S *	9/2010	Zeyfang	.....	D8/397
7,984,738 B2	7/2011	LaMarca et al.		
D673,244 S *	12/2012	Magargal et al.	.....	D23/260
D693,682 S *	11/2013	Bahri et al.	.....	D9/453

(Continued)

**1 Claim, 4 Drawing Sheets**



(56)

**References Cited**

**OTHER PUBLICATIONS**

U.S. PATENT DOCUMENTS

D712,821 S \* 9/2014 Puppis et al. .... D12/607  
2006/0197338 A1 9/2006 Ziu et al.  
2009/0314770 A1 12/2009 LaMarca et al.  
2010/0072742 A1 3/2010 LaMarca et al.  
2014/0124471 A1\* 5/2014 Vihorev ..... 215/316

D.P. LaMarca et al., "Advancements in Plastic Pipe System Technology", 2010 IAPMO / WPC Emerging Technology Symposium—May 11-12, 2010.

\* cited by examiner

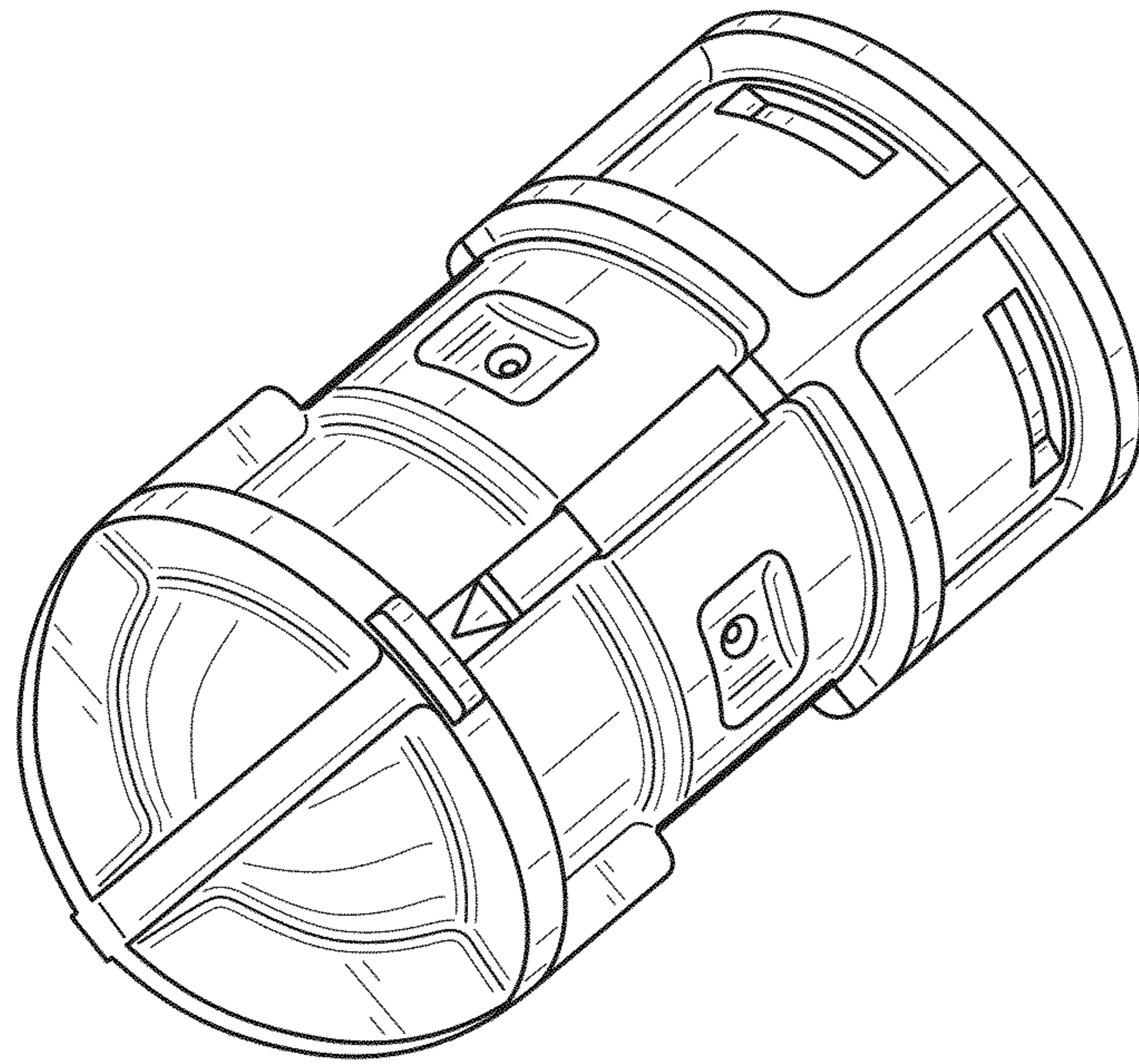


FIG. 1

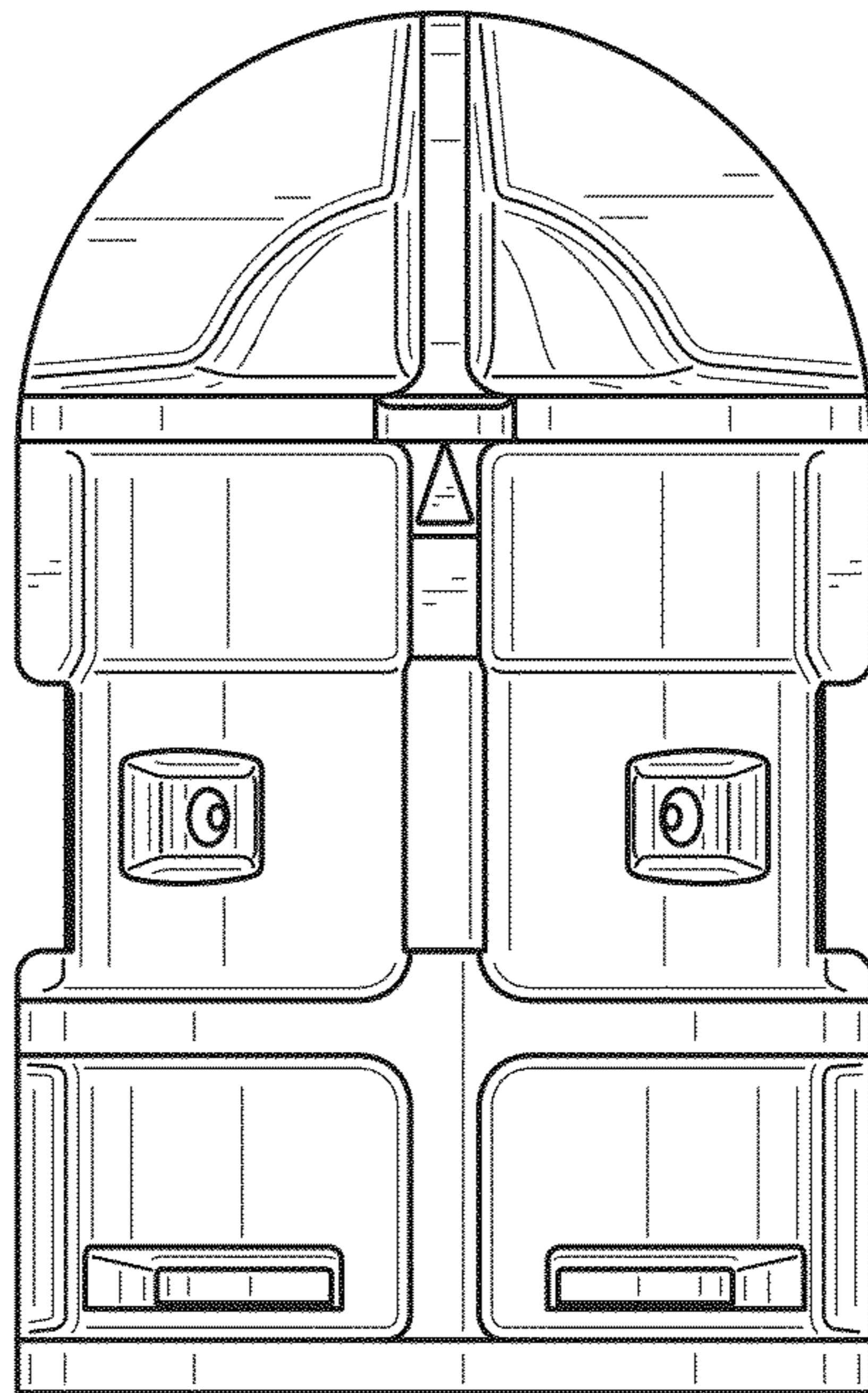


FIG. 2

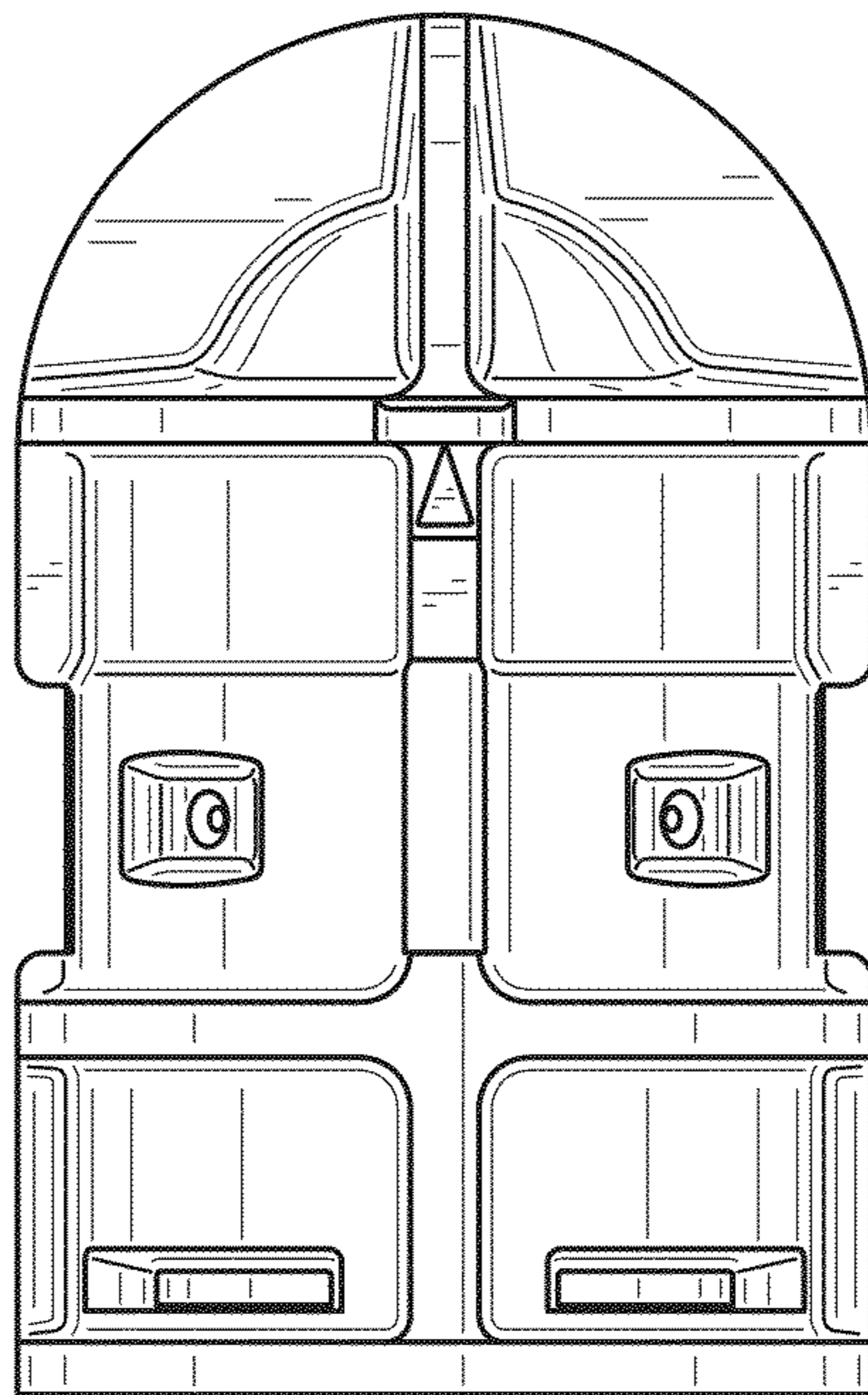


FIG. 3

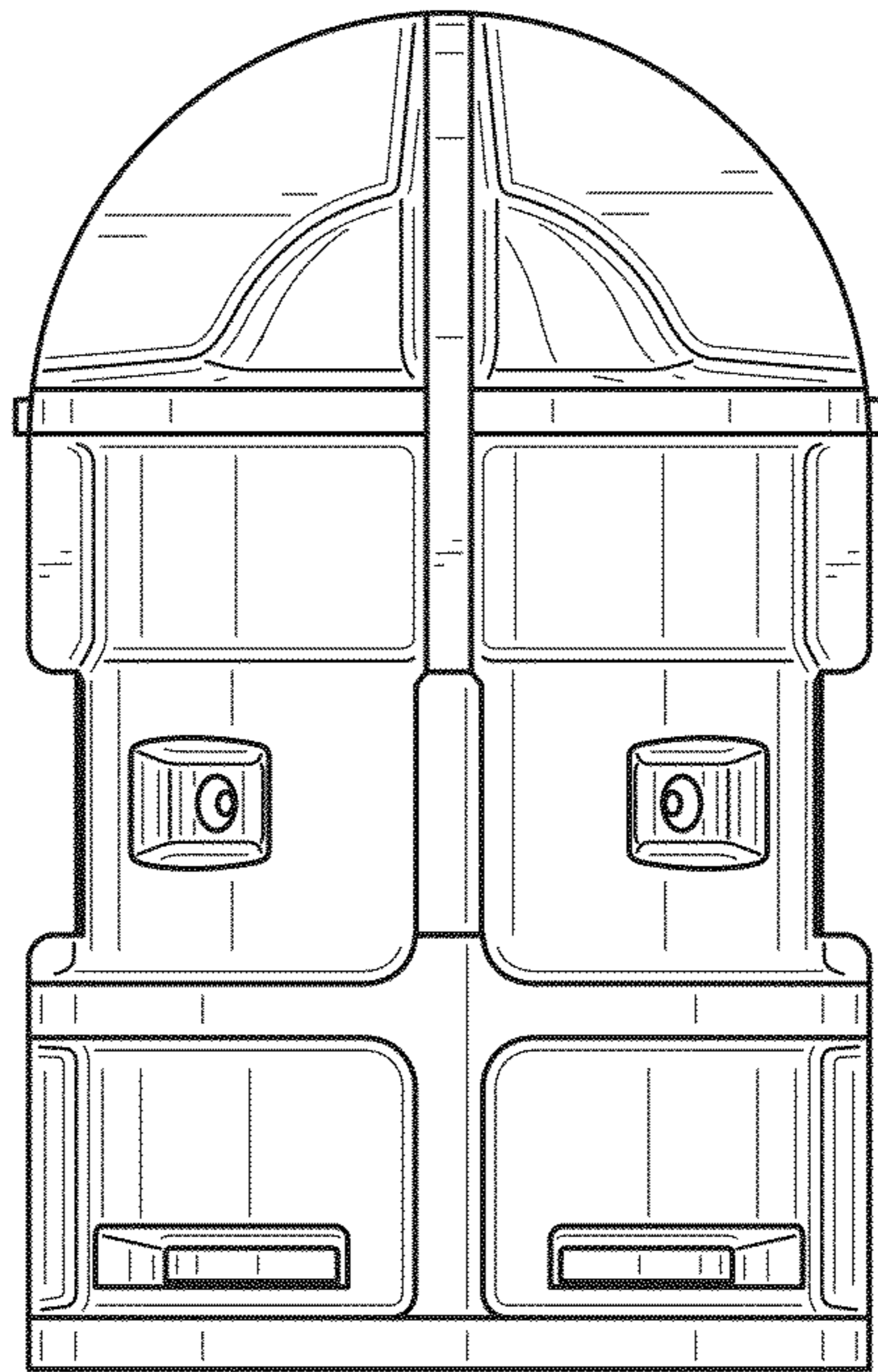


FIG. 4

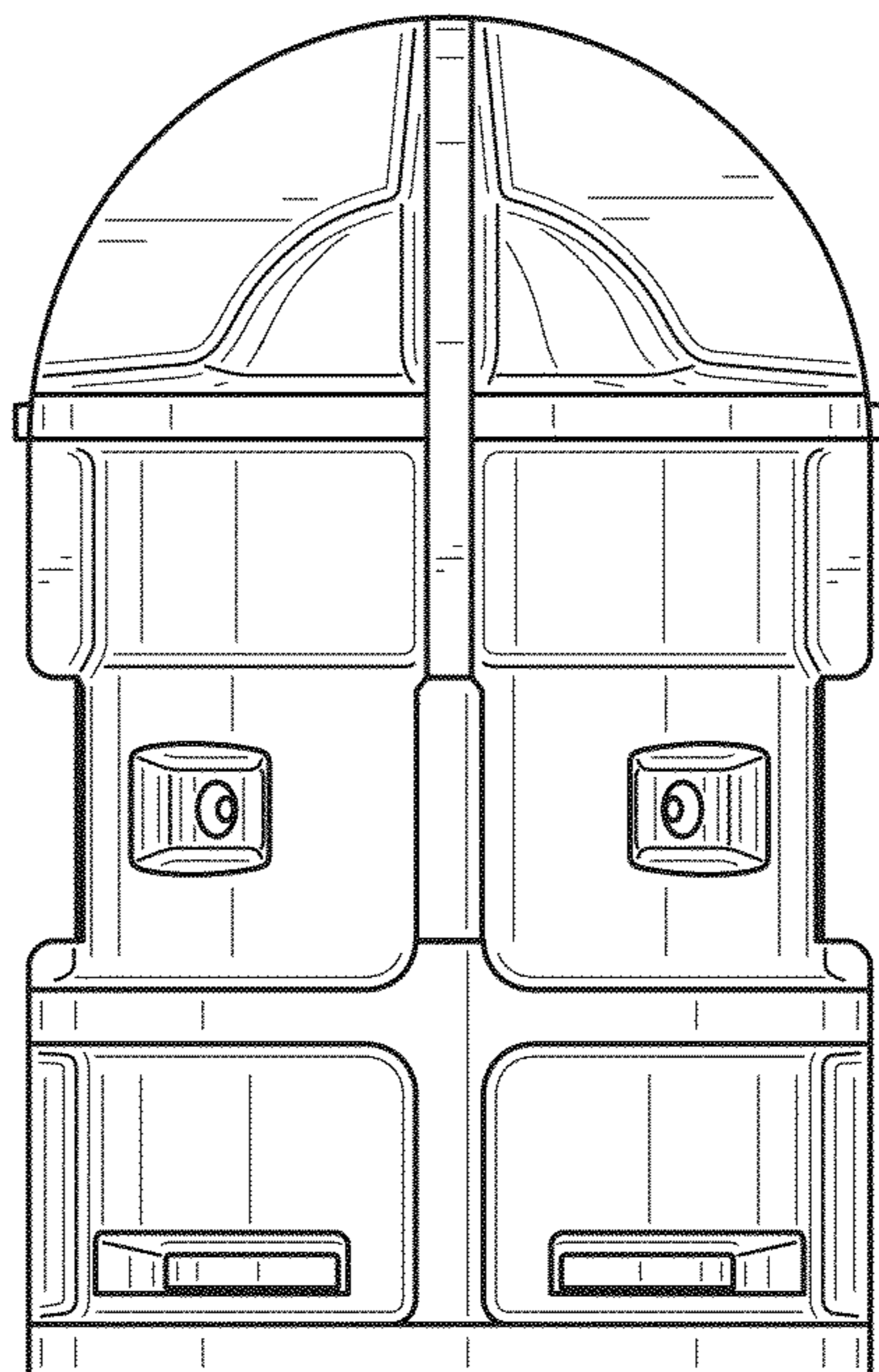


FIG. 5

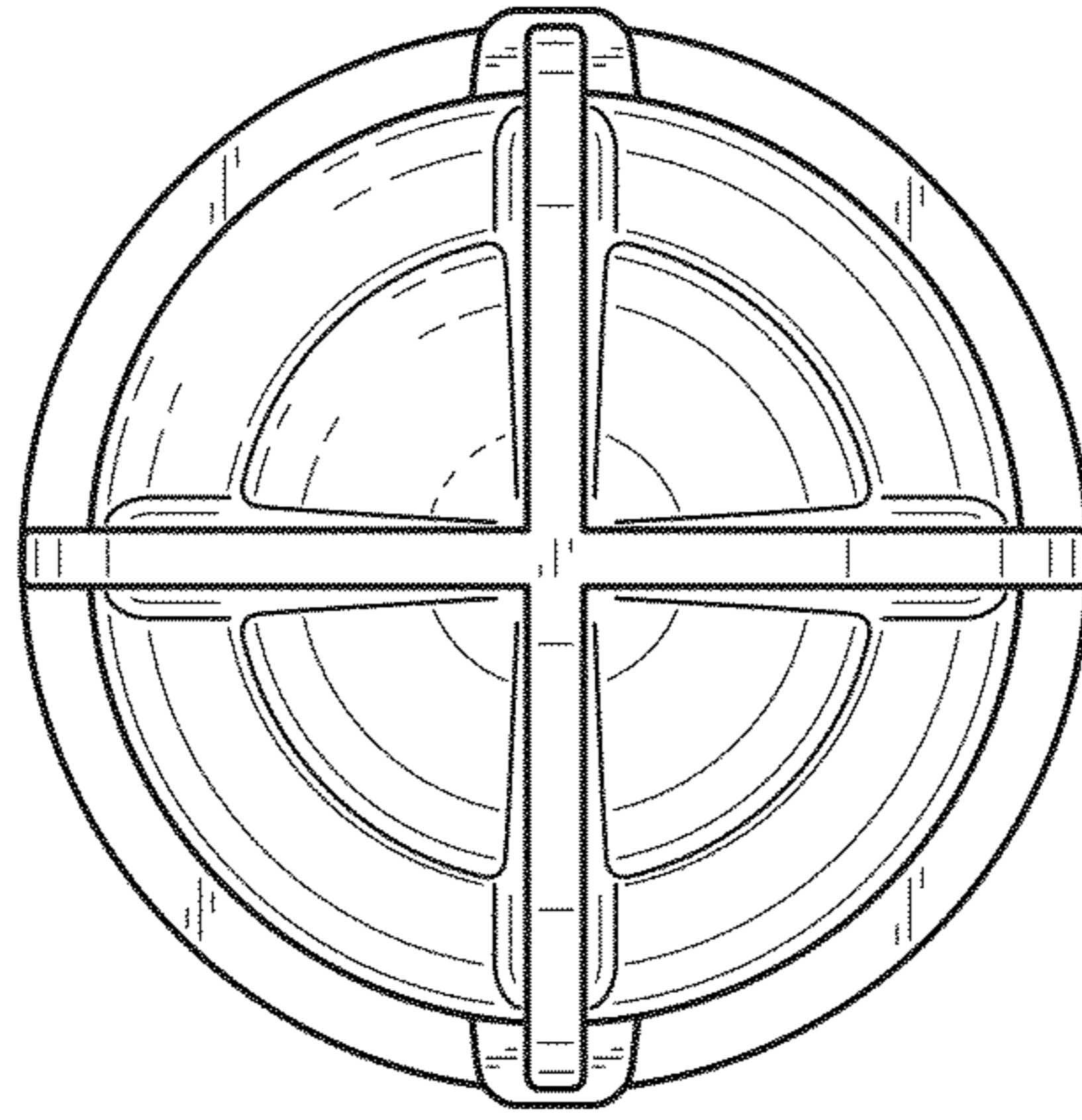


FIG. 6

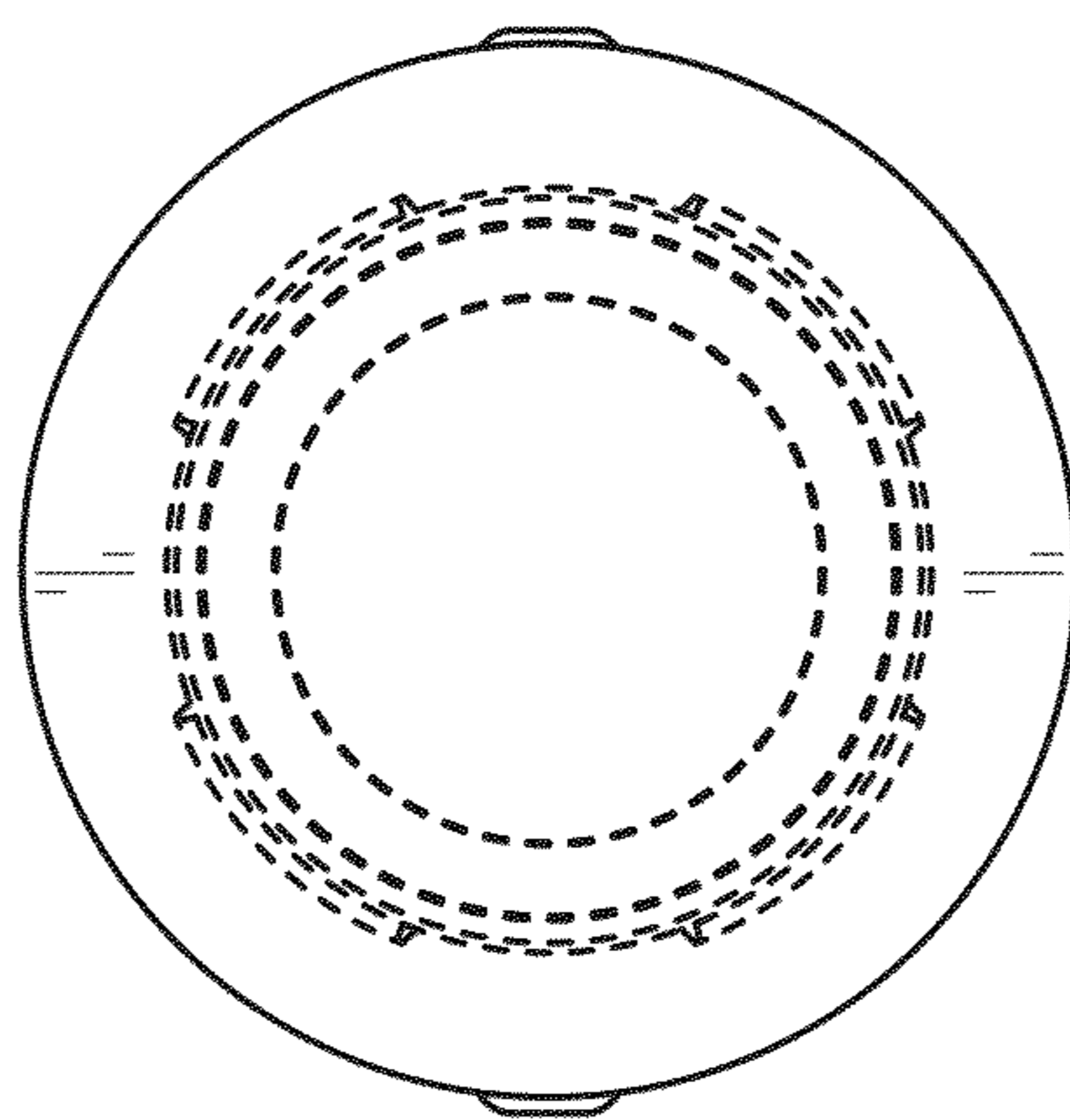


FIG. 7