



US00D729906S

(12) **United States Design Patent**
Fritz

(10) **Patent No.:** **US D729,906 S**

(45) **Date of Patent:** **** May 19, 2015**

(54) **SHOWER HANDLE**

(71) Applicant: **Masco Corporation of Indiana,**
Indianapolis, IN (US)

(72) Inventor: **Seth Fritz,** Carmel, IN (US)

(73) Assignee: **Delta Faucet Company,** Indianapolis,
IN (US)

(**) Term: **14 Years**

(21) Appl. No.: **29/484,925**

(22) Filed: **Mar. 14, 2014**

(51) **LOC (10) Cl.** **23-01**

(52) **U.S. Cl.**
USPC **D23/252**

(58) **Field of Classification Search**
CPC E03C 1/04; E03C 1/0401; E03C 1/0402;
E03C 1/0404
USPC D23/238, 241–243, 249–250
See application file for complete search history.

(56) **References Cited**

U.S. PATENT DOCUMENTS

D371,956 S * 7/1996 Steffes D23/254
D597,634 S * 8/2009 Haug et al. D23/254

D652,488 S * 1/2012 Slothower et al. D23/252
D658,271 S * 4/2012 Schaefer D23/250
D700,957 S * 3/2014 Mendoza et al. D23/254
D705,400 S * 5/2014 Georgeson et al. D23/252
D714,914 S * 10/2014 Georgeson et al. D23/252

* cited by examiner

Primary Examiner — Robert Delehanty

(74) *Attorney, Agent, or Firm* — Edgar A. Zarins; Nirav D. Parikh

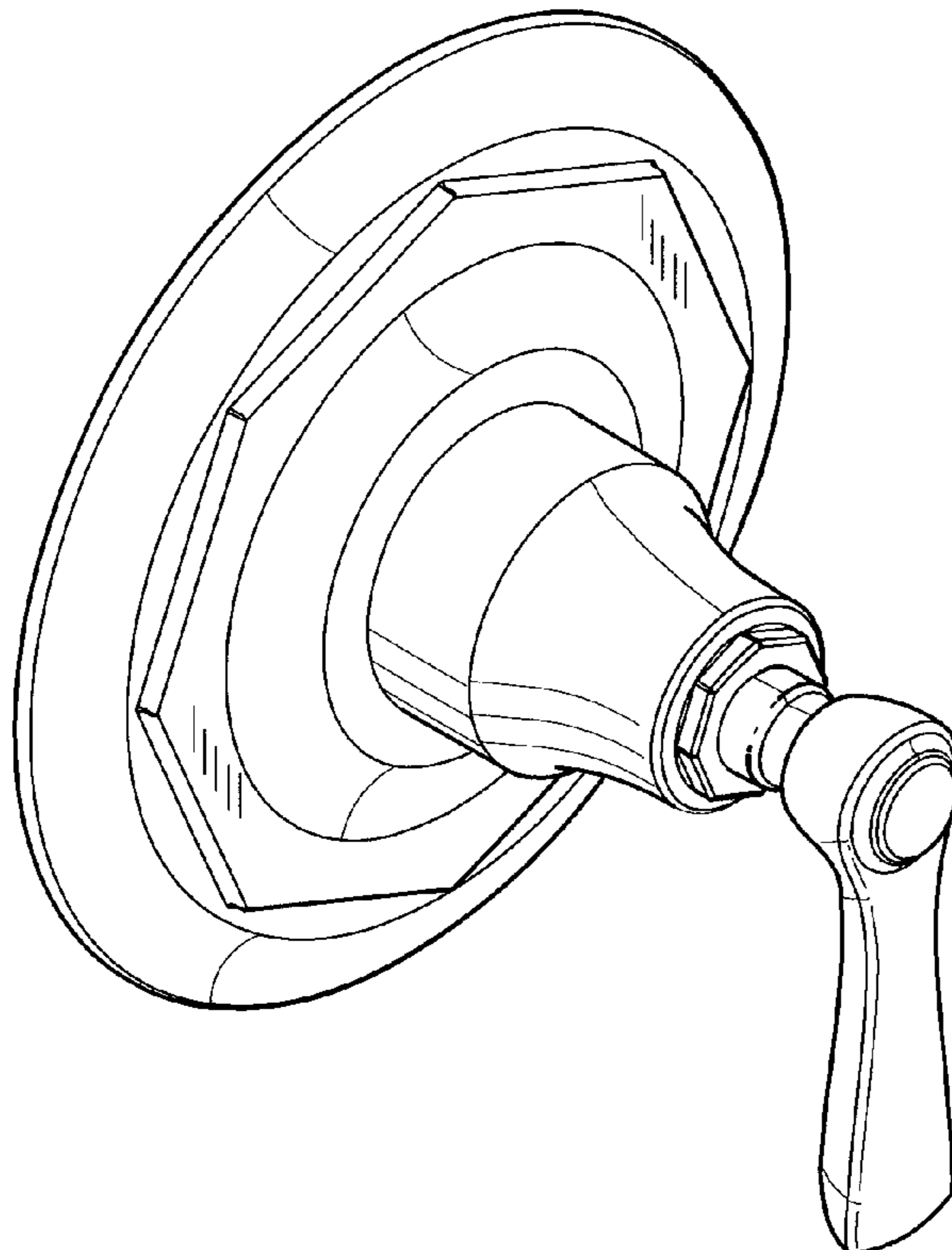
(57) **CLAIM**

The ornamental design for a shower handle, as shown and described.

DESCRIPTION

FIG. 1 is a perspective view of a shower handle showing my new design;
FIG. 2 is a right side view thereof, the opposite side being a mirror image of the side shown;
FIG. 3 is a top plan view thereof;
FIG. 4 is a bottom view thereof;
FIG. 5 is a front elevational view thereof; and,
FIG. 6 is a rear view thereof.
The broken line showing a plumbing opening is included for the purpose of illustrating a portion of the shower handle that forms no part of the claimed design.

1 Claim, 3 Drawing Sheets



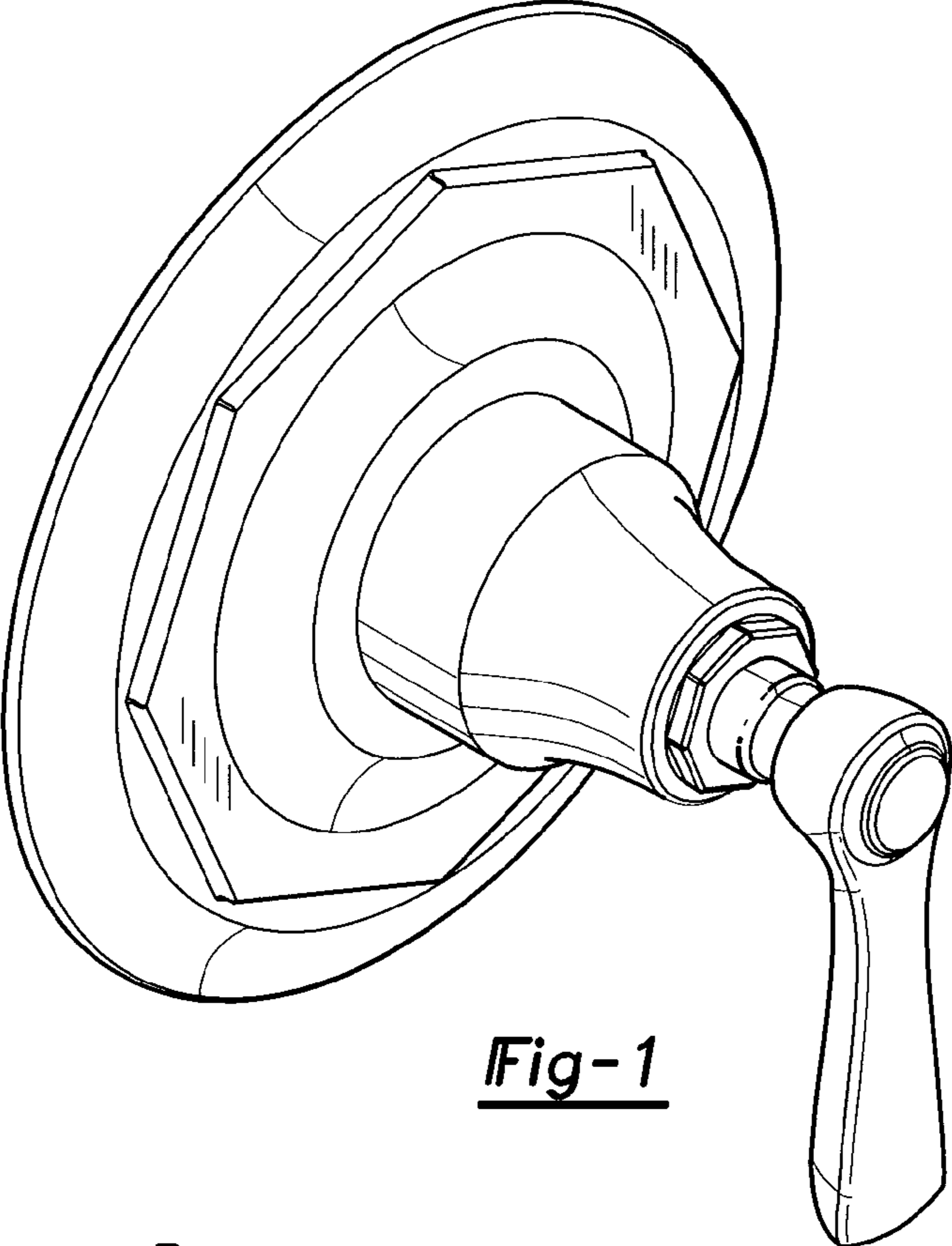
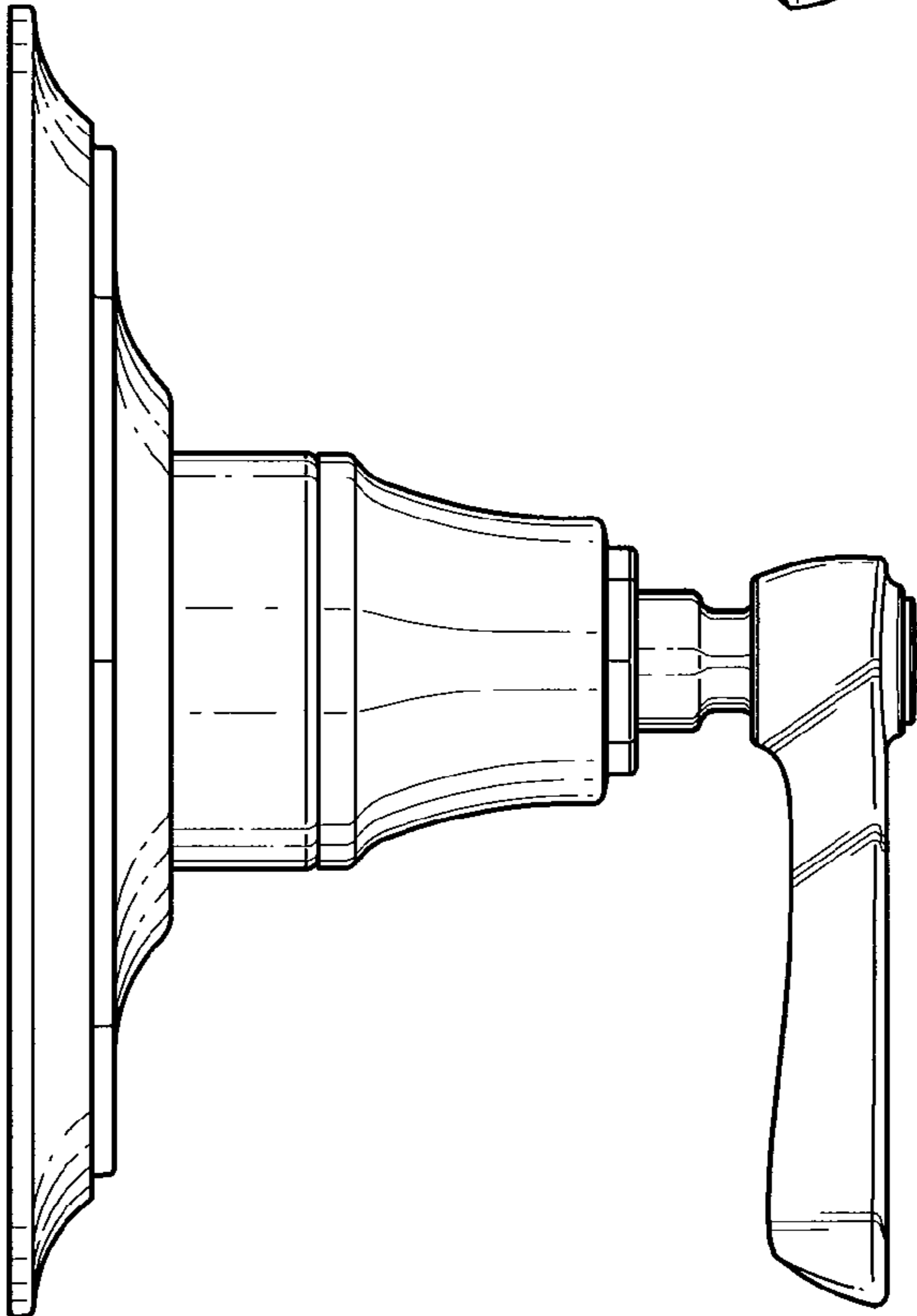


Fig-1

Fig-2



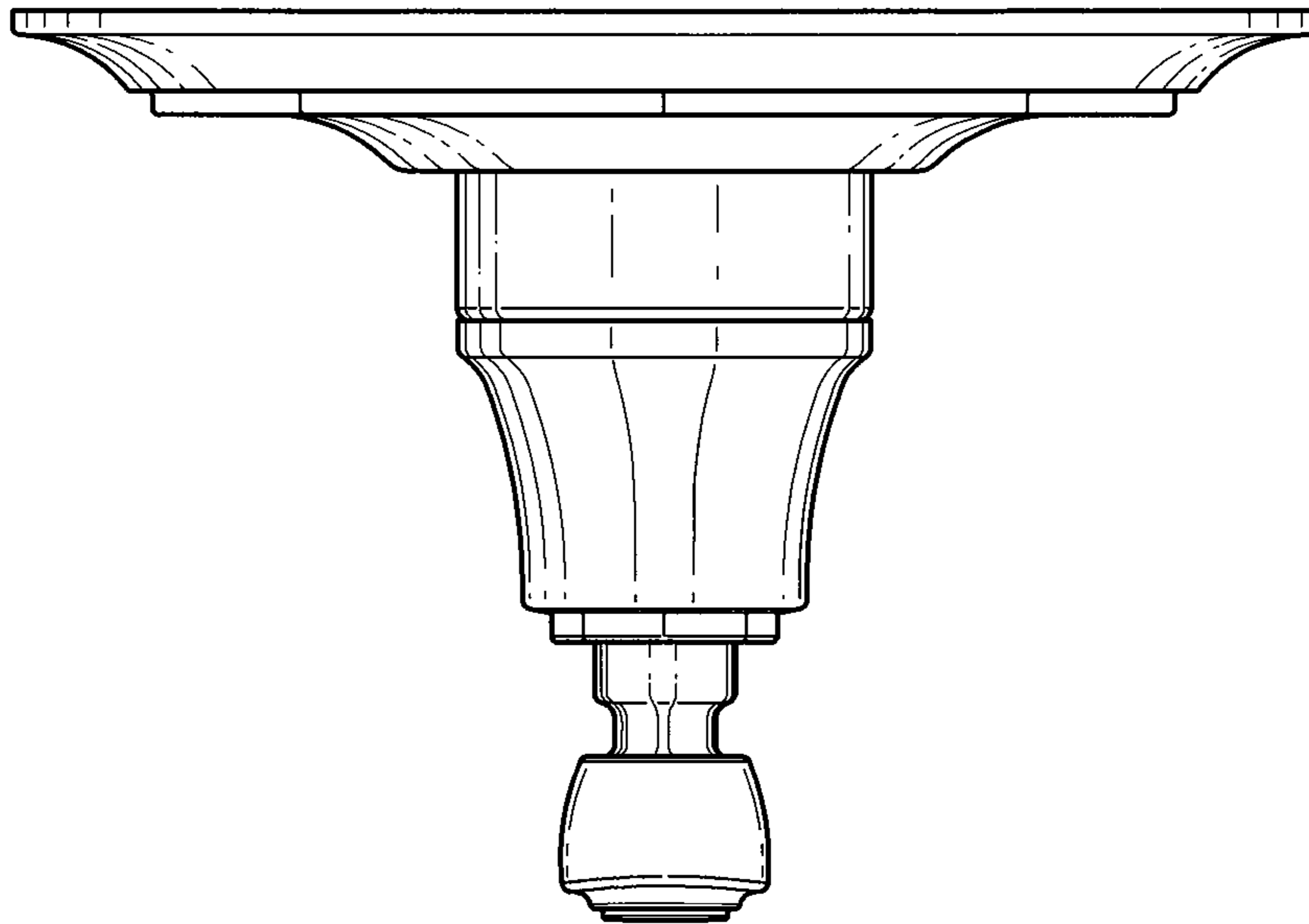


Fig-3

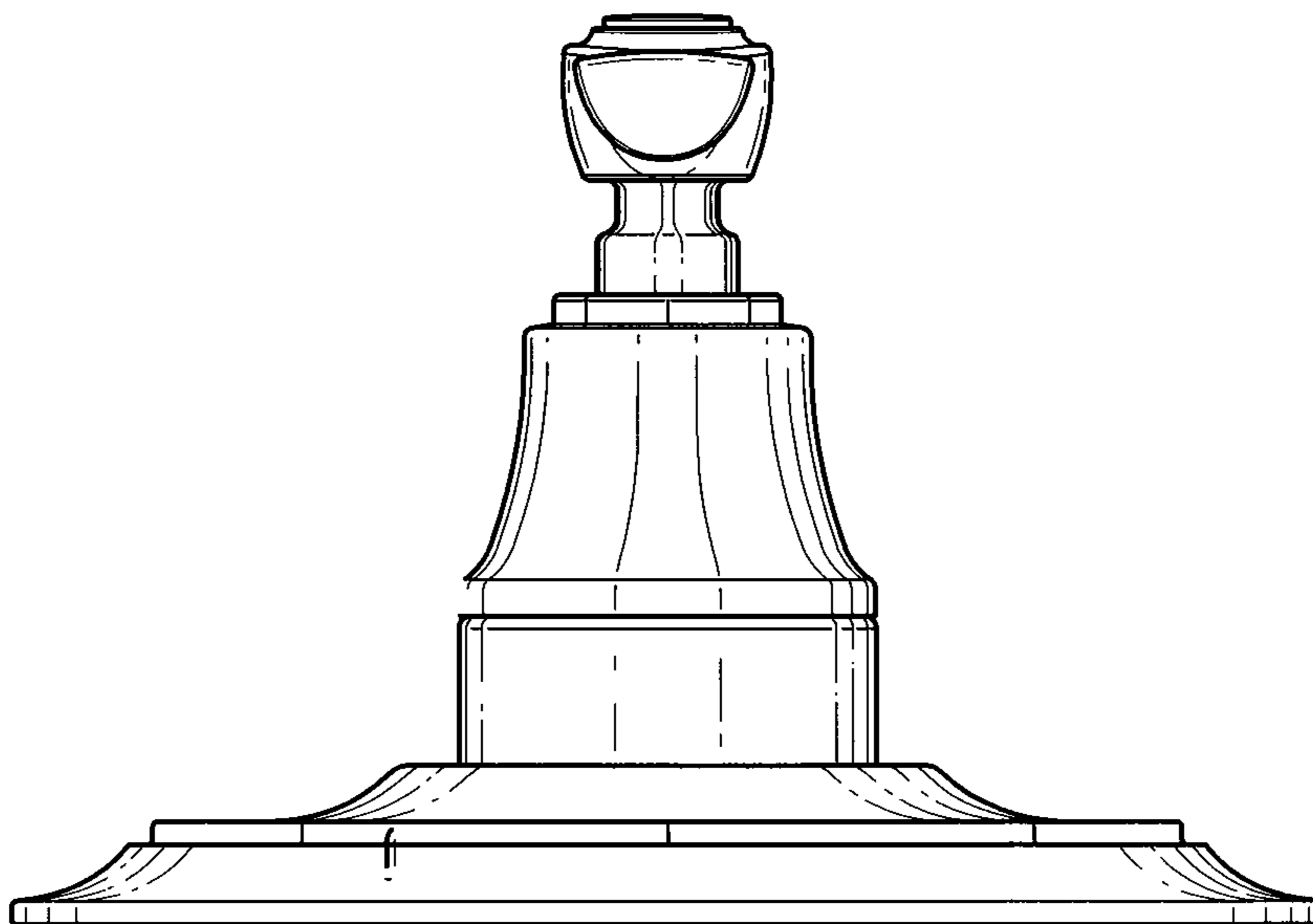


Fig-4

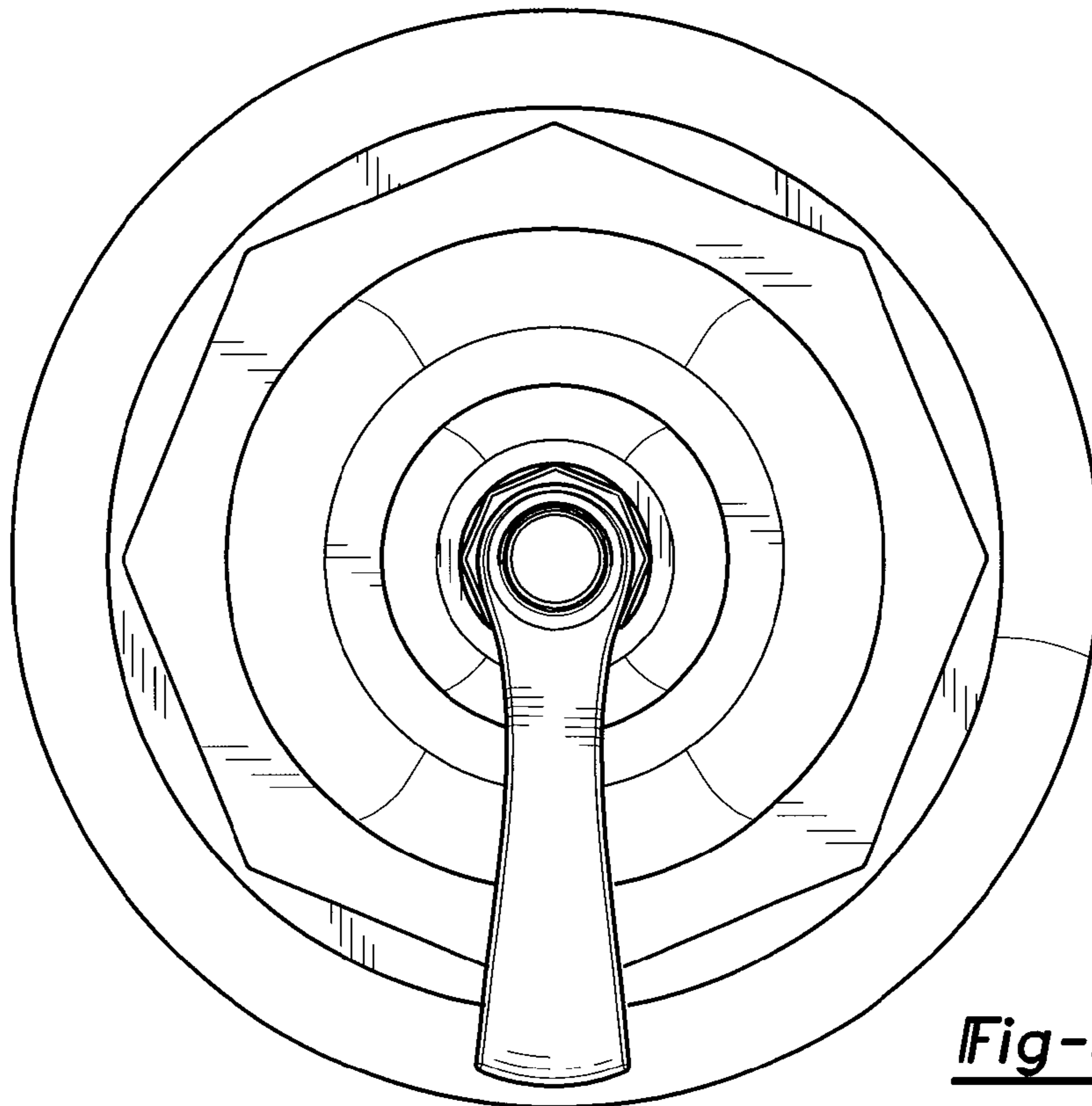


Fig-5

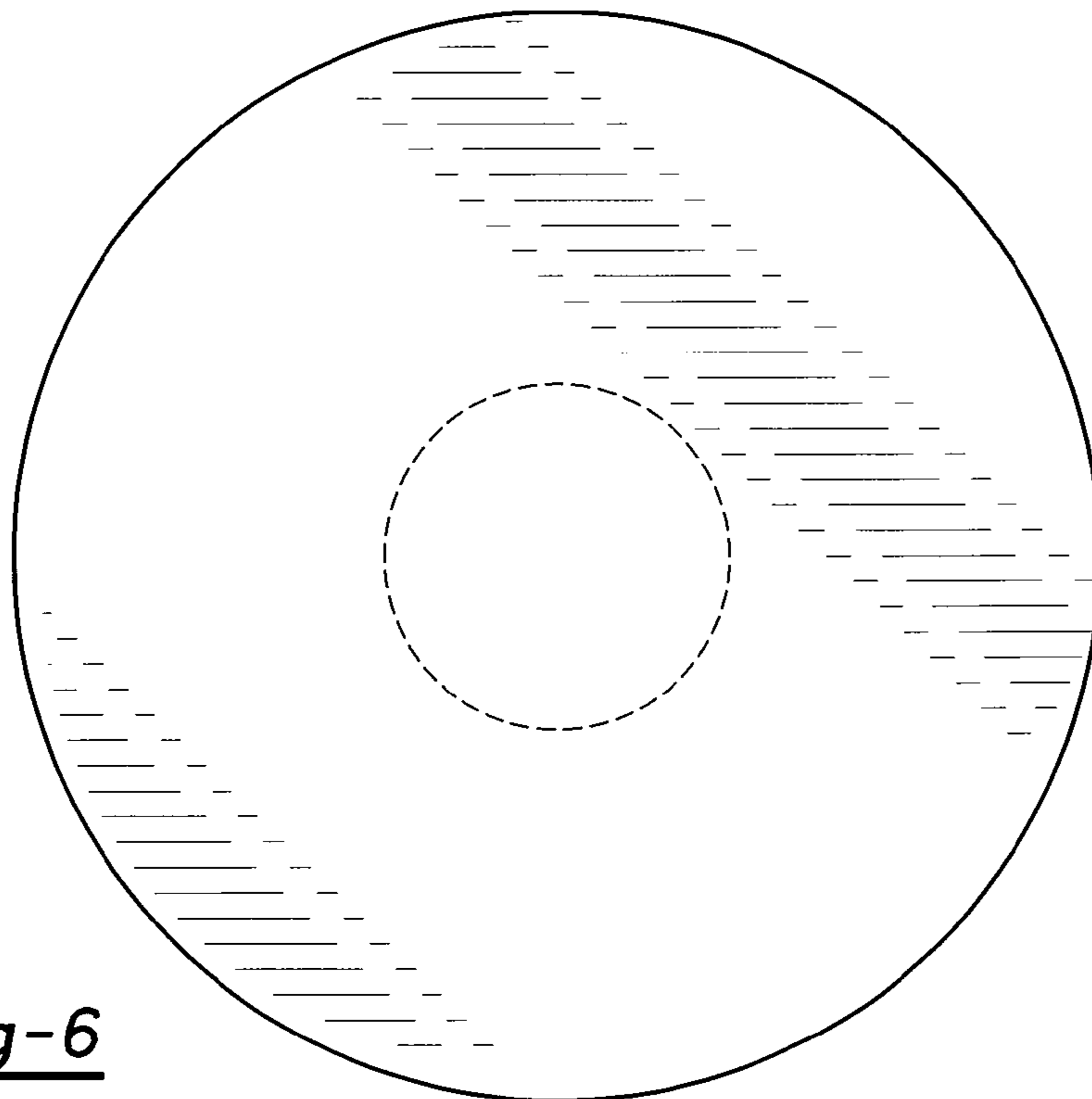


Fig-6