

US00D729905S

(12) **United States Design Patent**
Batiste

(10) **Patent No.:** **US D729,905 S**

(45) **Date of Patent:** **** *May 19, 2015**

(54) **VALVE COVER**

(71) Applicant: **Puronics Inc.**, Livermore, CA (US)

(72) Inventor: **Scott A. Batiste**, Livermore, CA (US)

(73) Assignee: **PURONICS INC.**, Livermore, CA (US)

(*) Notice: This patent is subject to a terminal disclaimer.

(**) Term: **14 Years**

(21) Appl. No.: **29/486,278**

(22) Filed: **Mar. 27, 2014**

(51) **LOC (10) Cl.** **23-01**

(52) **U.S. Cl.**
USPC **D23/249**

(58) **Field of Classification Search**

CPC F16K 27/12; F16K 35/10; F16K 27/048;
F16K 1/2007; F16K 27/0209; F16K 27/041;
F16K 31/0613; F16K 51/02; F16K 15/026;
F16K 31/0637; F16K 35/04; B67D 1/0418;
F04B 53/10

USPC D23/209, 233-250; D10/85, 102, 103,
D10/84, 99, 52, 46, 49; 73/738, 737, 741,
73/708, 866.5, 431, 715, 706; 116/297

See application file for complete search history.

(56) **References Cited**

U.S. PATENT DOCUMENTS

D99,332 S * 4/1936 Rice D23/235
2,216,374 A * 10/1940 Martin 73/706
D153,064 S * 3/1949 Hammon D23/235
D153,244 S * 3/1949 Teague D23/235
D156,391 S * 12/1949 Wertheimer D10/49
2,607,228 A * 8/1952 Coxon 73/715
D179,181 S * 11/1956 Becker D23/209
3,335,610 A * 8/1967 Nelson 73/738

3,520,192 A * 7/1970 Condie 73/738
3,929,020 A * 12/1975 Honkanen 73/738
4,051,730 A * 10/1977 Andrews et al. 73/738
4,124,931 A * 11/1978 Miele, Jr. 29/407.05
4,175,444 A * 11/1979 Harland 73/738
4,196,633 A * 4/1980 Bissell 73/738
D255,225 S * 6/1980 Lewis D10/102
D259,734 S * 6/1981 Cerrato D23/235
D288,469 S * 2/1987 Pryor D23/235
D291,231 S * 8/1987 Datta D23/235
4,838,090 A * 6/1989 Hestich 73/738
D302,394 S * 7/1989 Merrell D10/85

(Continued)

OTHER PUBLICATIONS

Puronics Hydronex The Next Generation of Ionics Solutions, 2008.
Accessed Nov. 3, 2014.

(Continued)

Primary Examiner — Cynthia Ramirez

Assistant Examiner — Gino Colan

(74) *Attorney, Agent, or Firm* — Wilson Sonsini Goodrich &
Rosati

(57)

CLAIM

The ornamental design for a valve cover, as shown and described.

DESCRIPTION

FIG. 1 is a front perspective view of a valve cover;

FIG. 2 is a top view of the valve cover;

FIG. 3 is a front view of the valve cover;

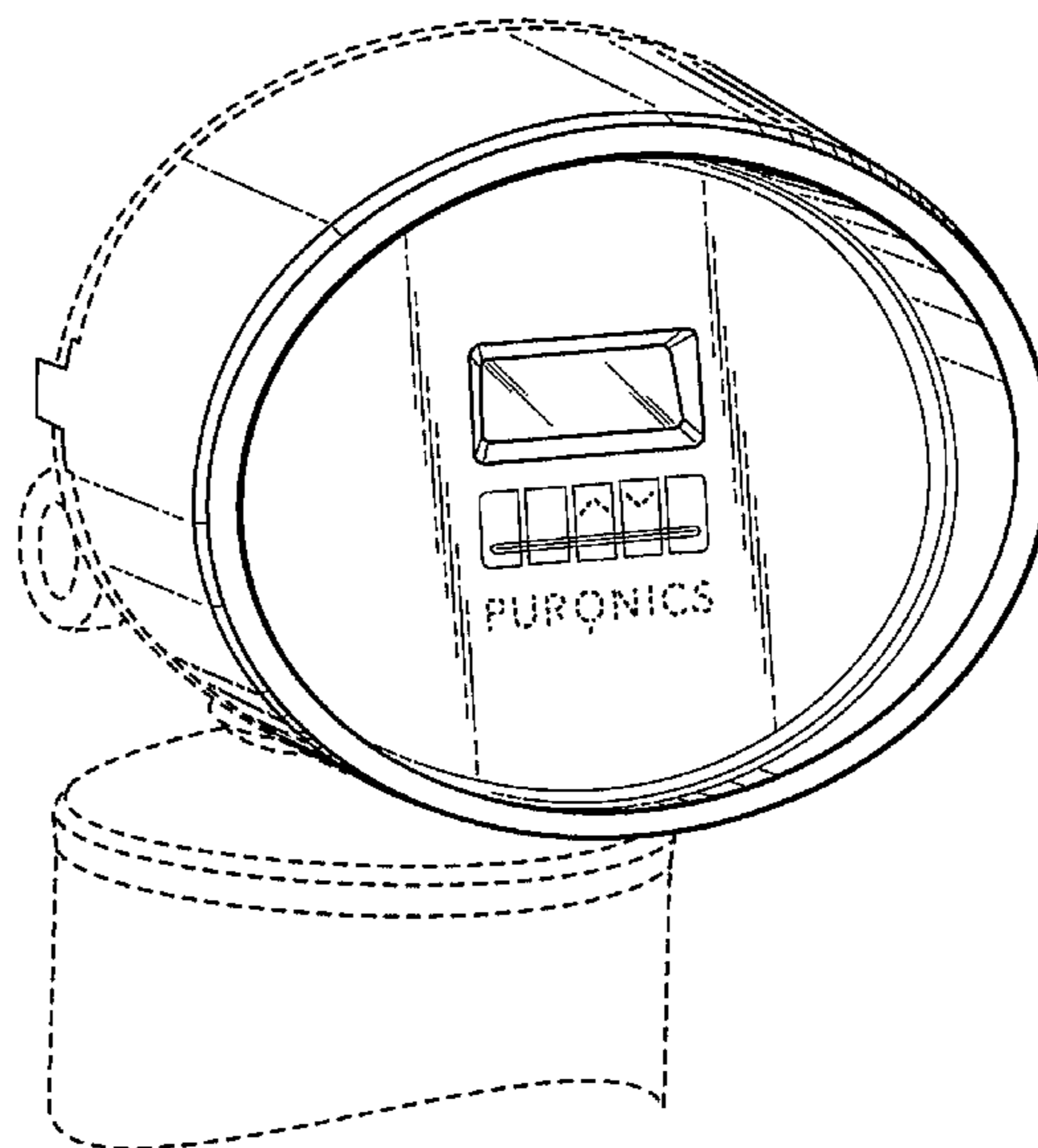
FIG. 4 is a left side view of the valve cover;

FIG. 5 is a right side view of the valve cover; and,

FIG. 6 is a rear view of the valve cover.

The broken lines shown in the figures are included for the purpose of illustrating elements of the valve cover and form no part of the claimed design.

1 Claim, 3 Drawing Sheets



(56)

References Cited

U.S. PATENT DOCUMENTS

D317,269 S * 6/1991 Selg D10/52
 D351,113 S * 10/1994 Hermansen D10/85
 D353,113 S * 12/1994 Cook-Martin D10/85
 D416,822 S * 11/1999 Slate et al. D10/103
 6,672,178 B2 * 1/2004 Durnen 73/866.5
 D486,748 S * 2/2004 Cain D10/102
 D512,334 S * 12/2005 Tang D10/85
 D514,007 S * 1/2006 Buchanan D10/99
 7,036,382 B2 * 5/2006 Sherman et al. 73/715
 7,047,811 B2 * 5/2006 Sherman et al. 73/708
 D543,476 S * 5/2007 Barmettler et al. D10/85
 D545,707 S * 7/2007 Barmettler et al. D10/85
 7,278,317 B2 * 10/2007 Bessette et al. 73/708
 D607,356 S * 1/2010 Moon et al. D10/85
 D612,277 S * 3/2010 Cain et al. D10/85
 D631,944 S * 2/2011 Karmel et al. D23/233
 D678,476 S * 3/2013 Shumway D23/235
 8,495,916 B2 * 7/2013 Popp 73/700

D698,010 S * 1/2014 Boyer D23/235
 D700,075 S * 2/2014 Bould et al. D10/49
 2008/0271540 A1 * 11/2008 Wu 73/741

OTHER PUBLICATIONS

Ecowater Systems website. Accessed Nov. 3, 2014. ecowater.com.
 Kinetico Home Water Systems website. Accessed Nov. 3, 2014. www.kinetico.com.
 AdvantaPure website. Accessed Nov. 3, 2014. www.advantapure.com.
 Proelite website. Accessed Nov. 3, 2014. www.proelitesystems.com.
 Best Water Technology website. Accessed Nov. 3, 2014. <https://www.bwt.de/de/Produkte/Haustechnik/Enthaerter/Seiten/default.aspx>.
 Culligan website. Accessed Nov. 3, 2014. www.culligan.com.
 Rainsoft website. Accessed Nov. 3, 2014. www.rainsoft.com.
 Notice of allowance dated Dec. 10, 2014 for U.S. Appl. No. 29/485,219.

* cited by examiner

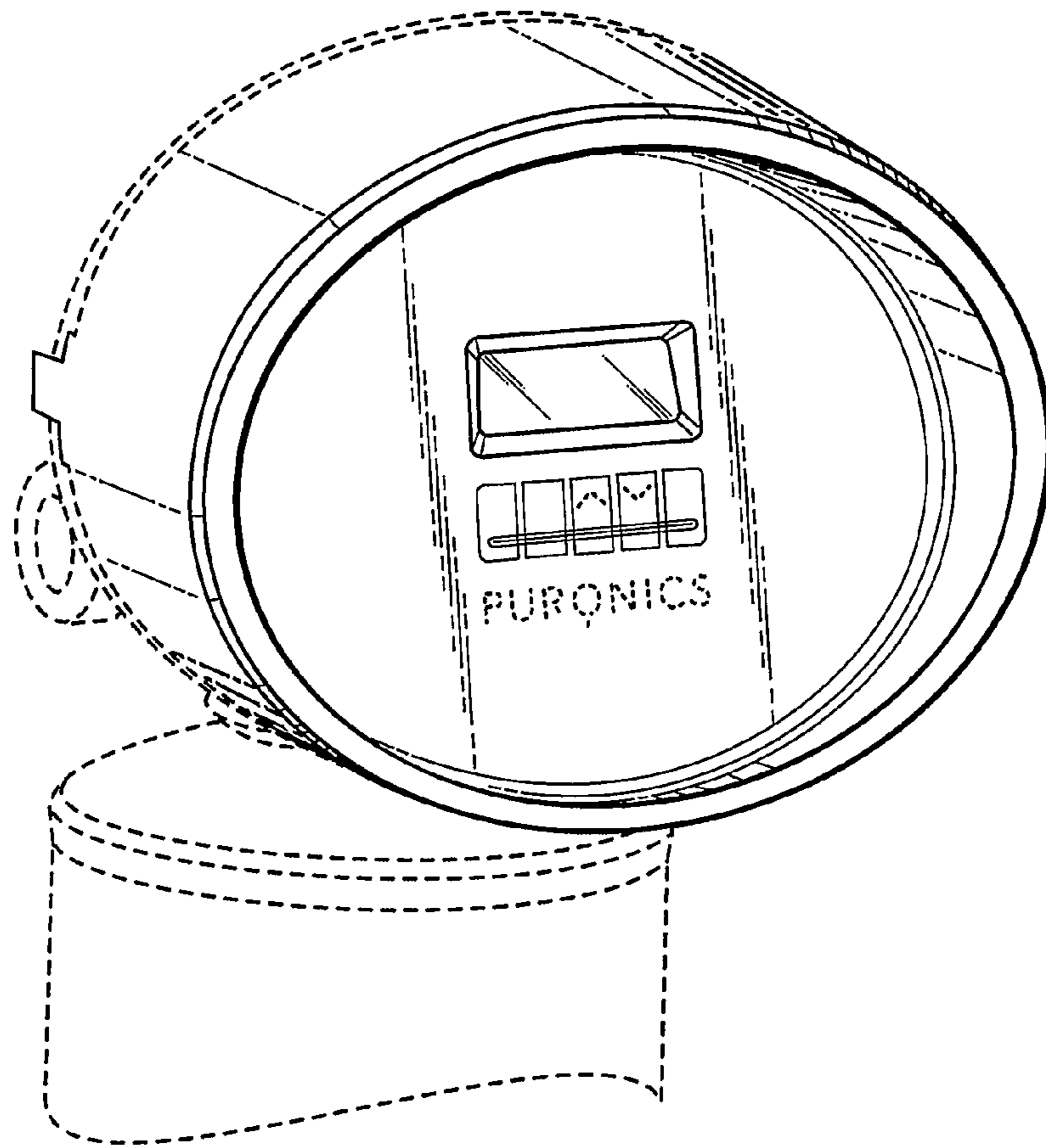
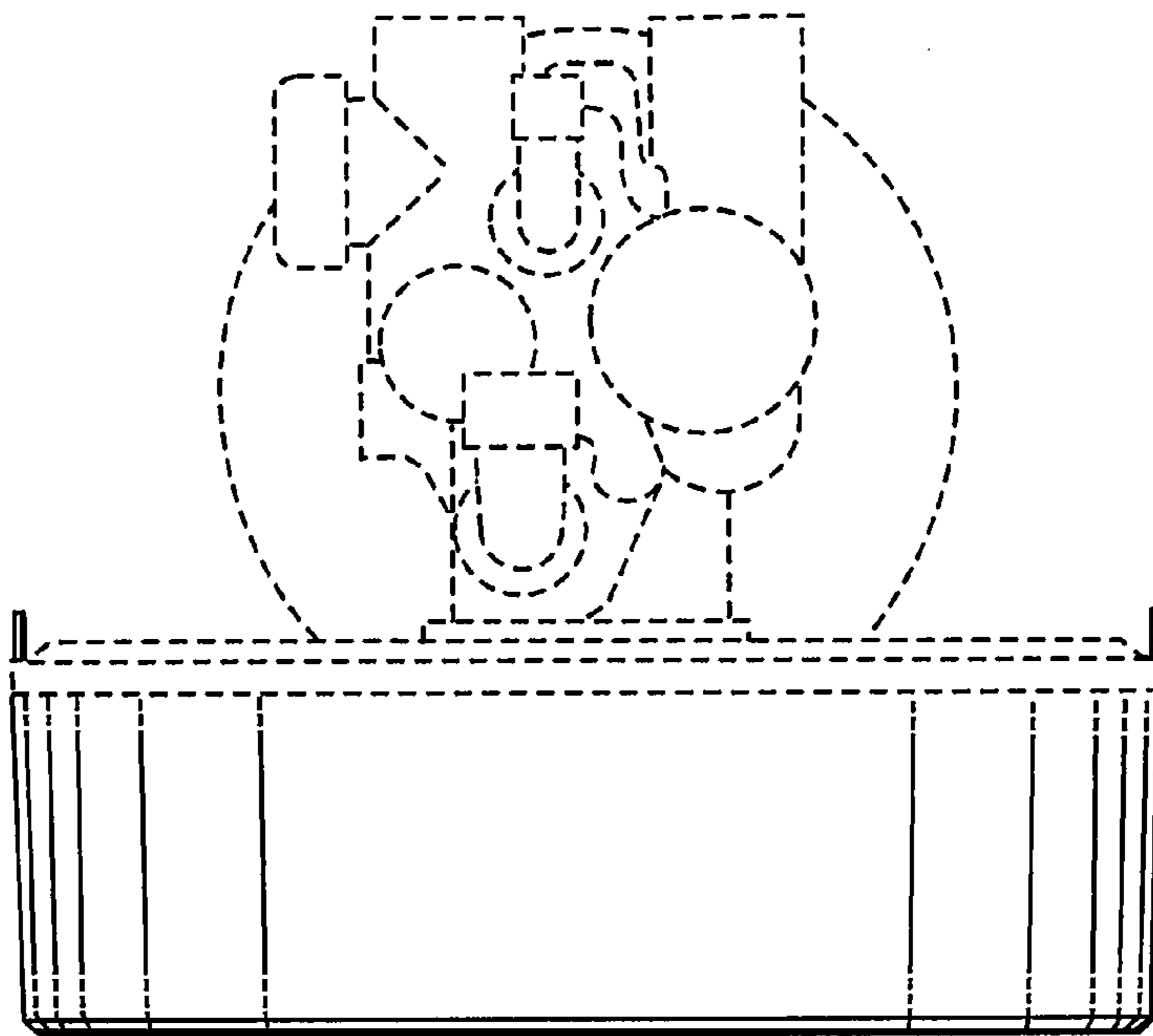


FIG. 2



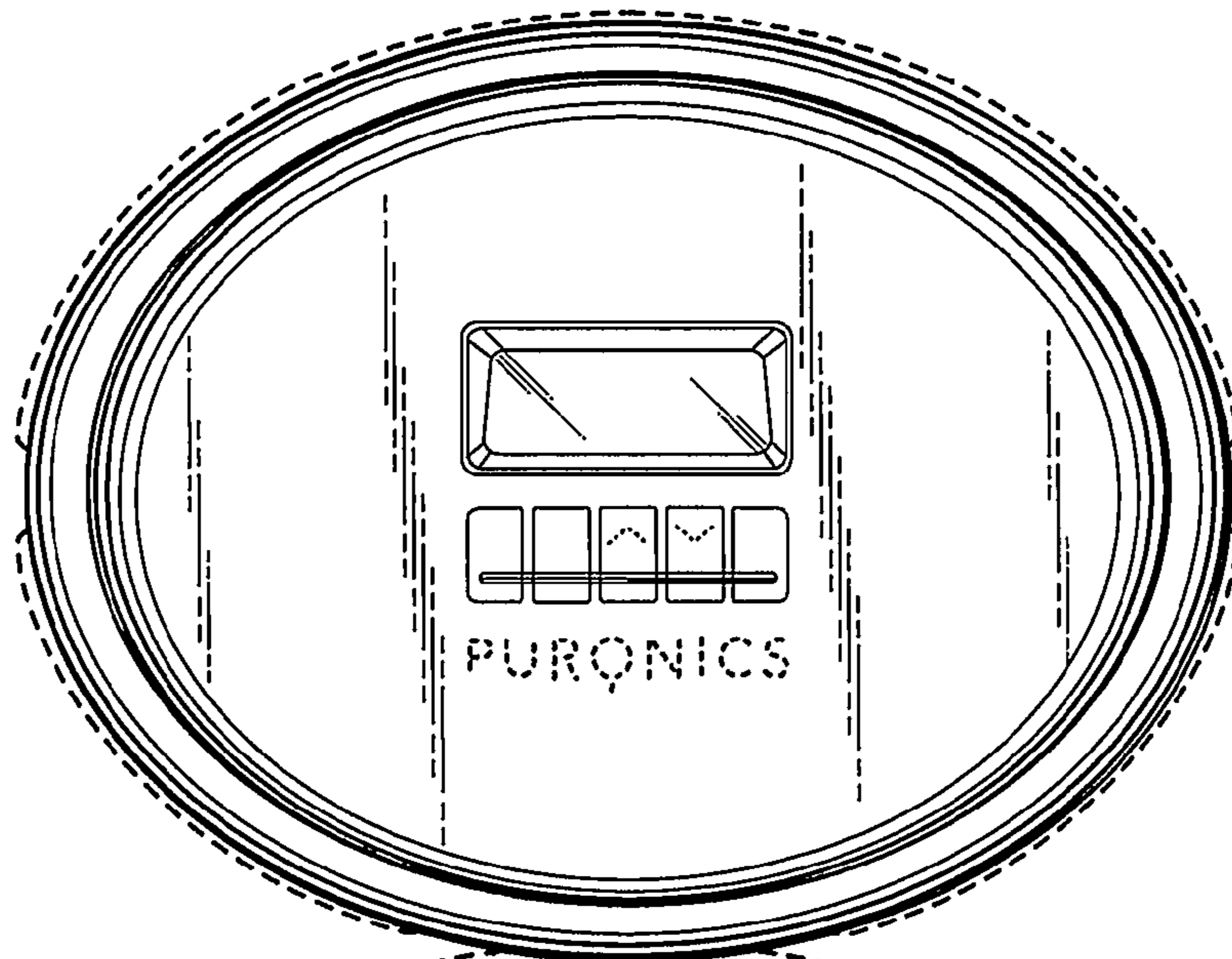


FIG. 3

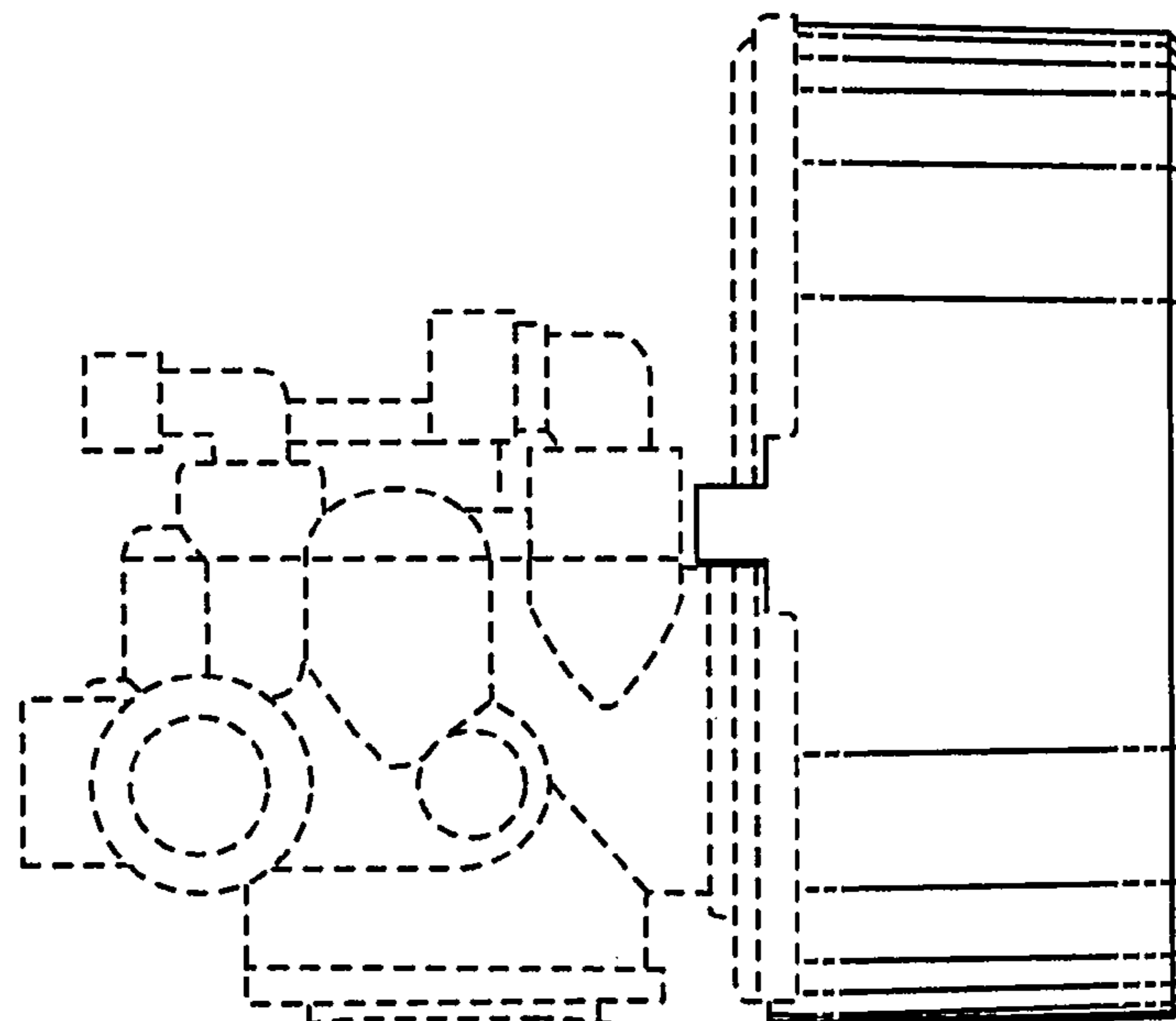
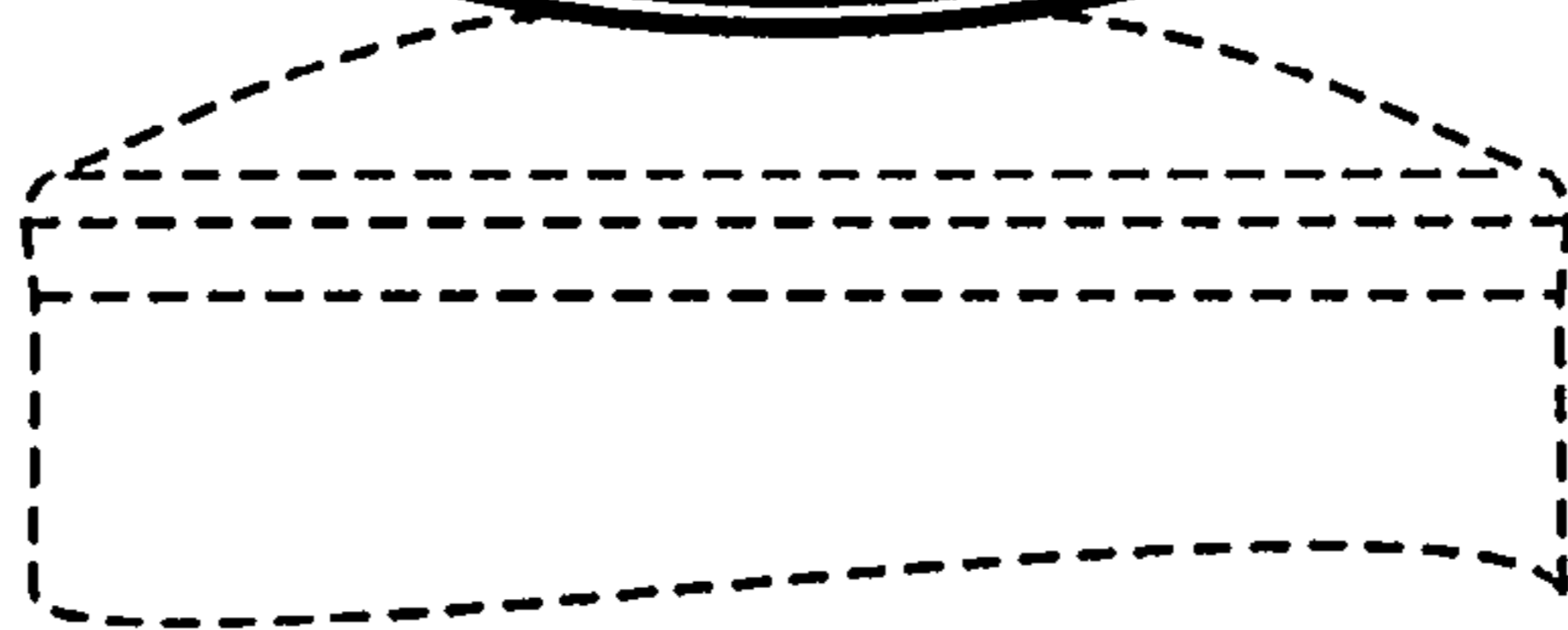


FIG. 4

