



US00D729904S

(12) **United States Design Patent**  
**Lu**

(10) **Patent No.:** **US D729,904 S**  
(45) **Date of Patent:** **\*\* May 19, 2015**

(54) **BONNET**

(71) Applicant: **Watts Water Technologies, Inc.**, North Andover, MA (US)

(72) Inventor: **John D. Lu**, Malden, MA (US)

(73) Assignee: **Watts Water Technologies, Inc.**, North Andover, MA (US)

(\*\*) Term: **14 Years**

(21) Appl. No.: **29/482,532**

(22) Filed: **Feb. 19, 2014**

(51) **LOC (10) Cl.** ..... **23-01**

(52) **U.S. Cl.**  
USPC ..... **D23/233**

(58) **Field of Classification Search**  
CPC ..... F16K 15/00; F16K 15/18; F16K 15/026;  
F16K 15/044; B60T 17/04  
USPC ..... D23/233-250; D15/5, 7; 137/15.04,  
137/15.08, 515, 7, 859, 843, 332, 529,  
137/533.17, 540, 54, 543.17, 512.1, 243.2,  
137/852, 223, 232, 366, 234, 368, 349,  
137/367; 251/322, 333; 92/87; 404/25  
See application file for complete search history.

(56) **References Cited**

U.S. PATENT DOCUMENTS

1,679,898	A *	8/1928	Gilbert	137/243.2
1,761,655	A *	6/1930	Collar	137/243.2
2,261,269	A *	11/1941	Mohr	251/367
3,189,037	A	6/1965	Callejo	
4,177,825	A *	12/1979	Crawford	137/243.2
4,338,961	A *	7/1982	Karpenko	137/243.2
4,540,012	A *	9/1985	Bridges	137/72
5,125,429	A	6/1992	Ackroyd et al.	
D328,488	S *	8/1992	Shaw	D23/249
D413,374	S *	8/1999	Tine, Jr.	D23/233
6,439,259	B1 *	8/2002	Beaver	137/232
D470,508	S *	2/2003	MacPherson	D15/5
6,557,580	B2 *	5/2003	Lohde et al.	137/315.01

D490,819	S *	6/2004	Wahlberg	D15/7
6,986,360	B2 *	1/2006	Chaffee	137/223
D526,701	S *	8/2006	Grether	D23/249
7,302,971	B2 *	12/2007	Myntti	137/852

(Continued)

OTHER PUBLICATIONS

PVB4A Series Installation, Operation, and Maintenance Manual—  
Pressure Vacuum Breaker (PVB) Backflow Preventers ½"-2",  
Conbraco Industries Inc. (May 2009).

(Continued)

*Primary Examiner* — Cynthia Ramirez

*Assistant Examiner* — Gino Colan

(74) *Attorney, Agent, or Firm* — Locke Lord LLP; George N. Chaclas

(57) **CLAIM**

The ornamental design for a bonnet, as shown and described.

**DESCRIPTION**

FIG. 1 is a top perspective view of the bonnet according to the present disclosure.

FIG. 2 is another top perspective view of the bonnet according to the present disclosure.

FIG. 3 is a bottom perspective view of the bonnet according to the present disclosure.

FIG. 4 is a front view of the bonnet according to the present disclosure.

FIG. 5 is a back view of the bonnet according to the present disclosure.

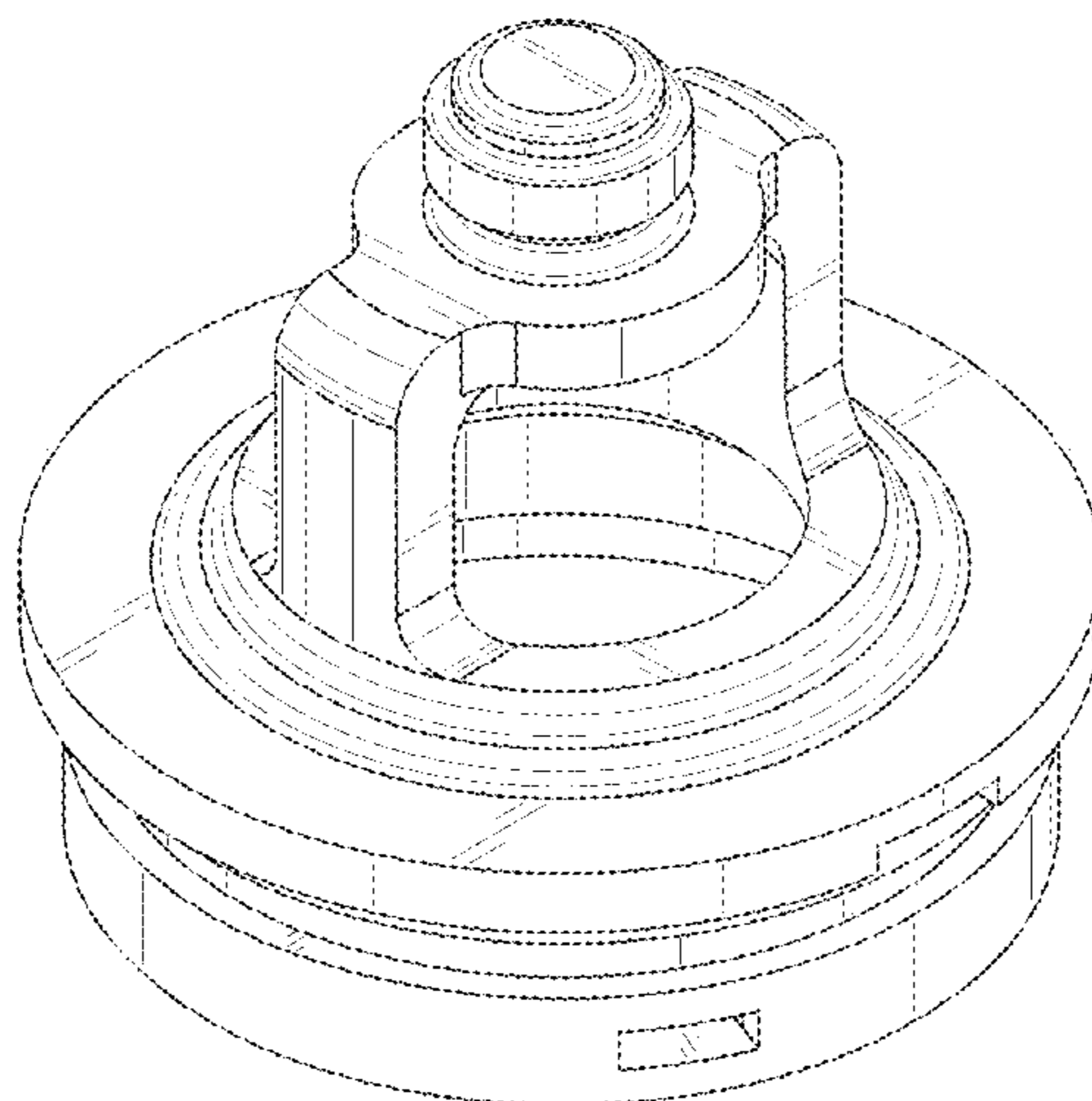
FIG. 6 is a right side view of the bonnet according to the present disclosure.

FIG. 7 is a left side view of the bonnet according to the present disclosure.

FIG. 8 is a top view of the bonnet according to the present disclosure; and,

FIG. 9 is a bottom view of the bonnet according to the present disclosure.

**1 Claim, 9 Drawing Sheets**



(56)

References Cited

U.S. PATENT DOCUMENTS

D570,374 S \* 6/2008 Hideki et al. .... D15/7  
 D570,375 S \* 6/2008 Hideki et al. .... D15/7  
 D577,100 S \* 9/2008 Brown et al. .... D23/213  
 D582,437 S \* 12/2008 Shimomura et al. .... D15/7  
 D582,438 S \* 12/2008 Shimomura et al. .... D15/7  
 D582,439 S \* 12/2008 Shimomura et al. .... D15/7  
 D582,440 S \* 12/2008 Shimomura et al. .... D15/7  
 D582,441 S \* 12/2008 Shimomura et al. .... D15/7  
 D585,522 S \* 1/2009 Geideman et al. .... D23/233  
 7,497,416 B2 \* 3/2009 Wang ..... 251/349  
 D590,840 S \* 4/2009 Shea et al. .... D15/5  
 D591,403 S \* 4/2009 Grether ..... D23/249  
 7,575,018 B2 \* 8/2009 Smith ..... 137/366  
 D620,081 S \* 7/2010 Geideman et al. .... D23/233  
 7,789,012 B2 \* 9/2010 Marcilese et al. .... 92/87  
 7,938,138 B2 \* 5/2011 Chaffee ..... 137/223  
 D645,053 S \* 9/2011 Shea et al. .... D15/5  
 8,307,841 B2 \* 11/2012 Chaffee ..... 137/223  
 8,430,116 B1 \* 4/2013 Smith ..... 137/365  
 2001/0012474 A1 \* 8/2001 Gagas ..... 404/25

2006/0033067 A1 \* 2/2006 Wang ..... 251/322  
 2006/0255309 A1 \* 11/2006 Marcilese et al. .... 251/368  
 2007/0193633 A1 8/2007 Howell et al.  
 2013/0186481 A1 \* 7/2013 Chaffee ..... 137/234

OTHER PUBLICATIONS

PFMM PVB4A Installation, Operation, & Maintenance Manual—  
 ½"-2" Pressure Vacuum Breaker (PVB) Backflow Preventer, Apollo  
 Valves (Jan. 2012).  
 Wilkins Model 420XL Lead-Free Pressure vacuum Breakers (½" &  
 ¾") (2012).  
 Installation, Maintenance, & Repair Series 800M4 and LF800M4—  
 Anti-Siphon Pressure Vacuum Breaker featuring Replaceable Seats  
 (2013).  
 Series 765 Pressure Vacuum Breakers Specification Sheet—FEBCO  
 (2009).  
 Lead Free Series LF800M4QT Anti-Siphon Pressure Vacuum Break-  
 ers—WATTS (2013).  
 BFMMPVB Maintenance Manual—Series 4V-500 (½"-2" Pressure  
 Type Vacuum Breaker)—Conbraco Industries, Inc. (Apr. 2002).

\* cited by examiner

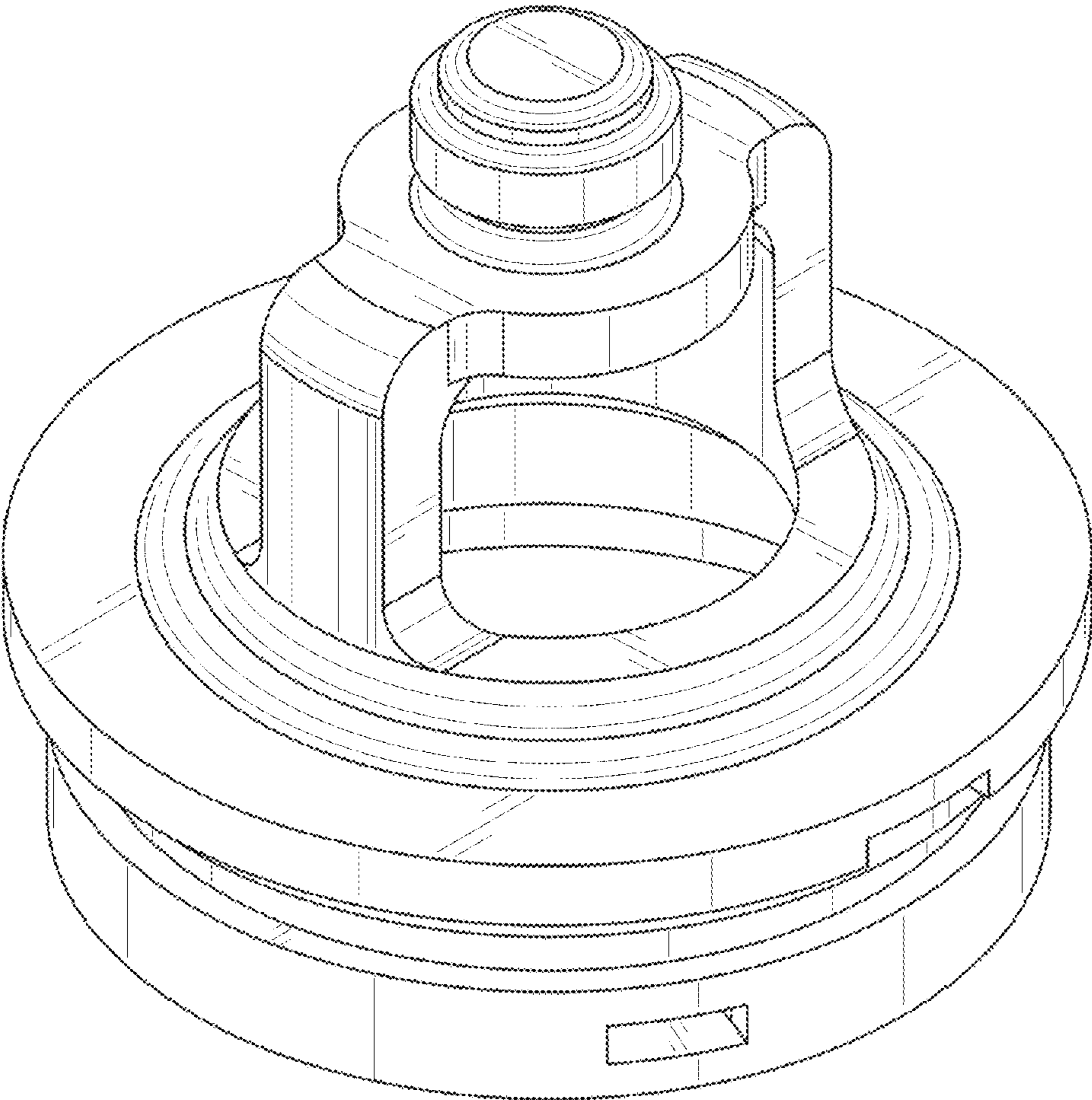


FIG 1

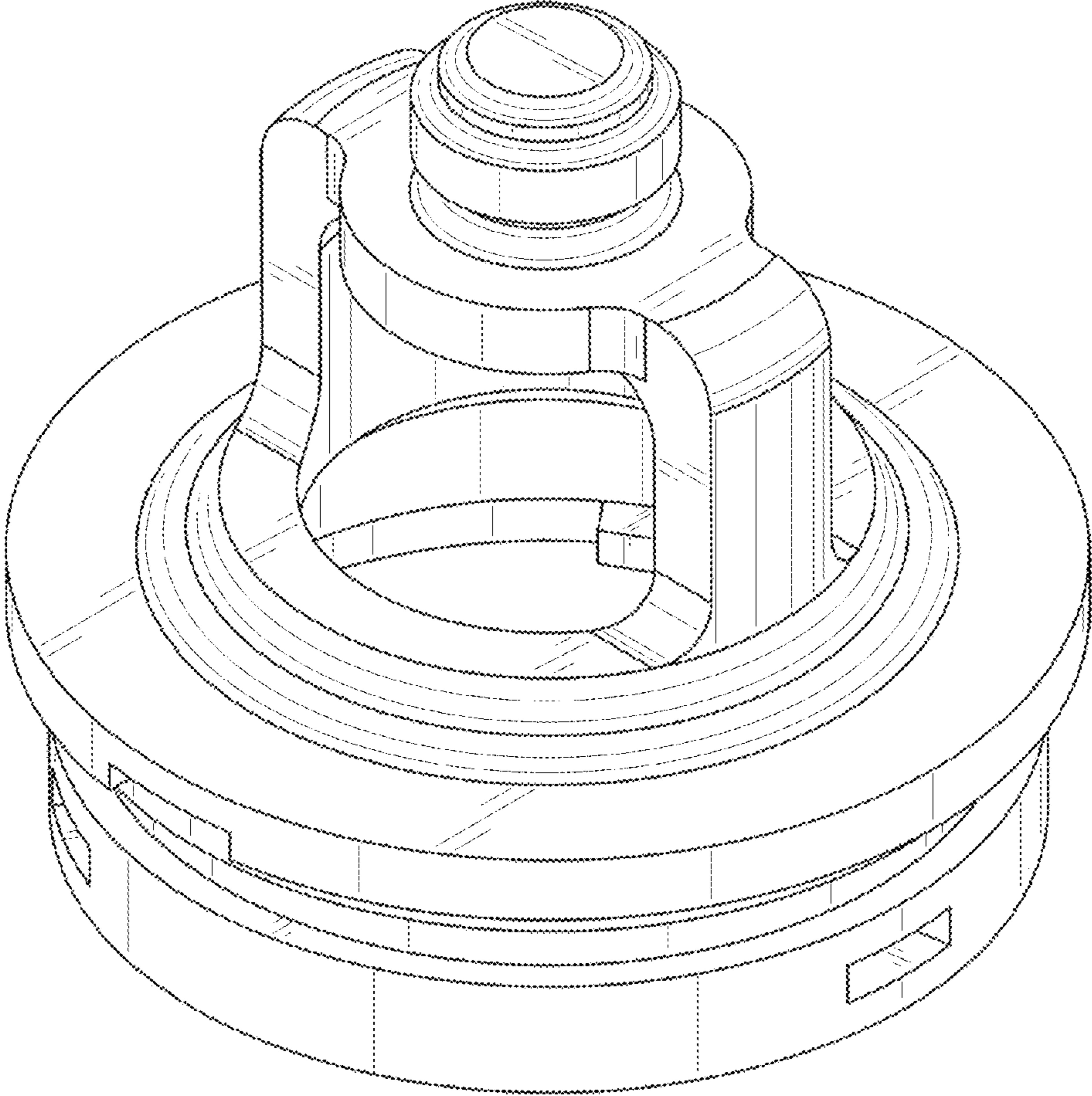


FIG 2

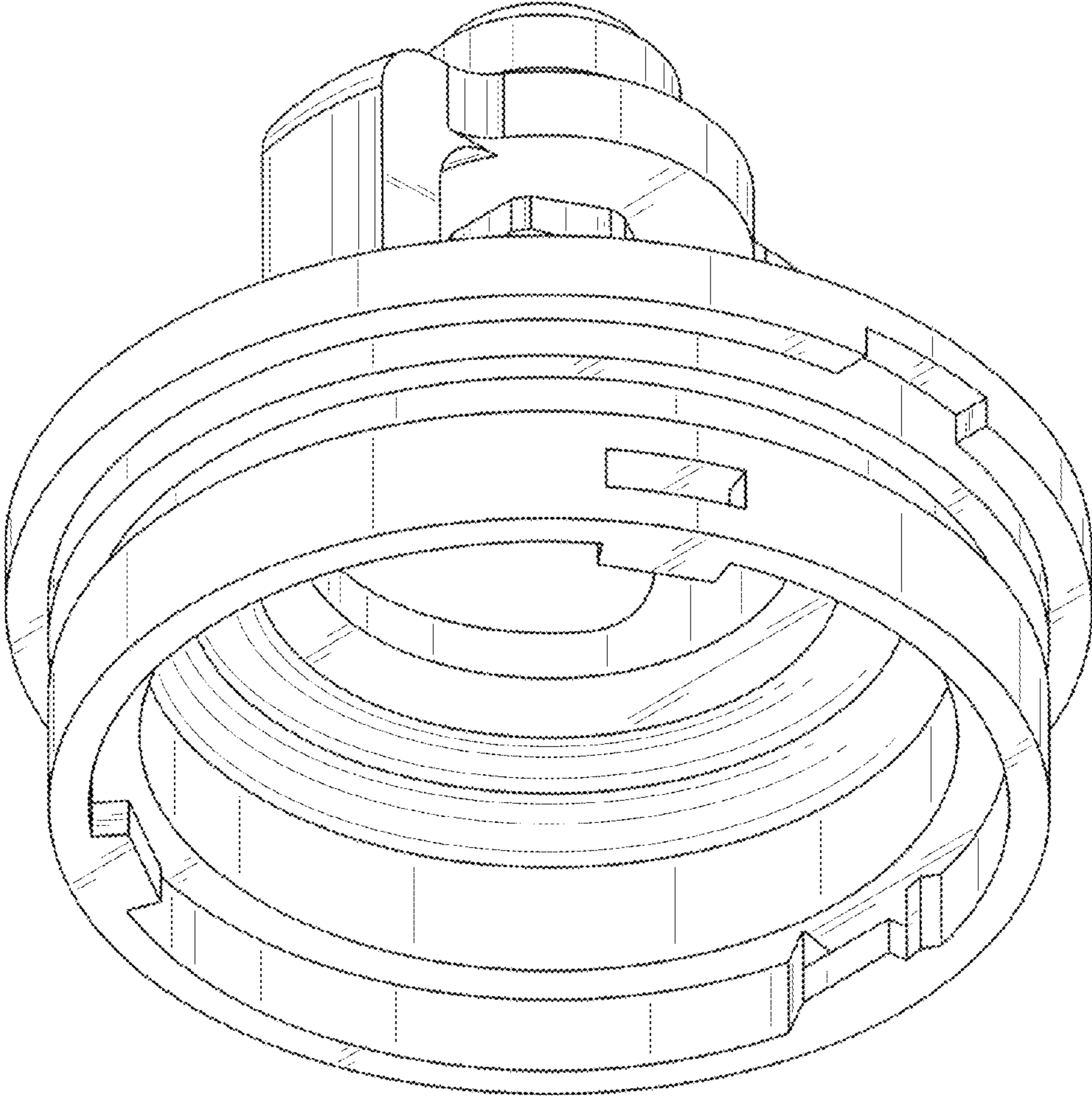


FIG 3

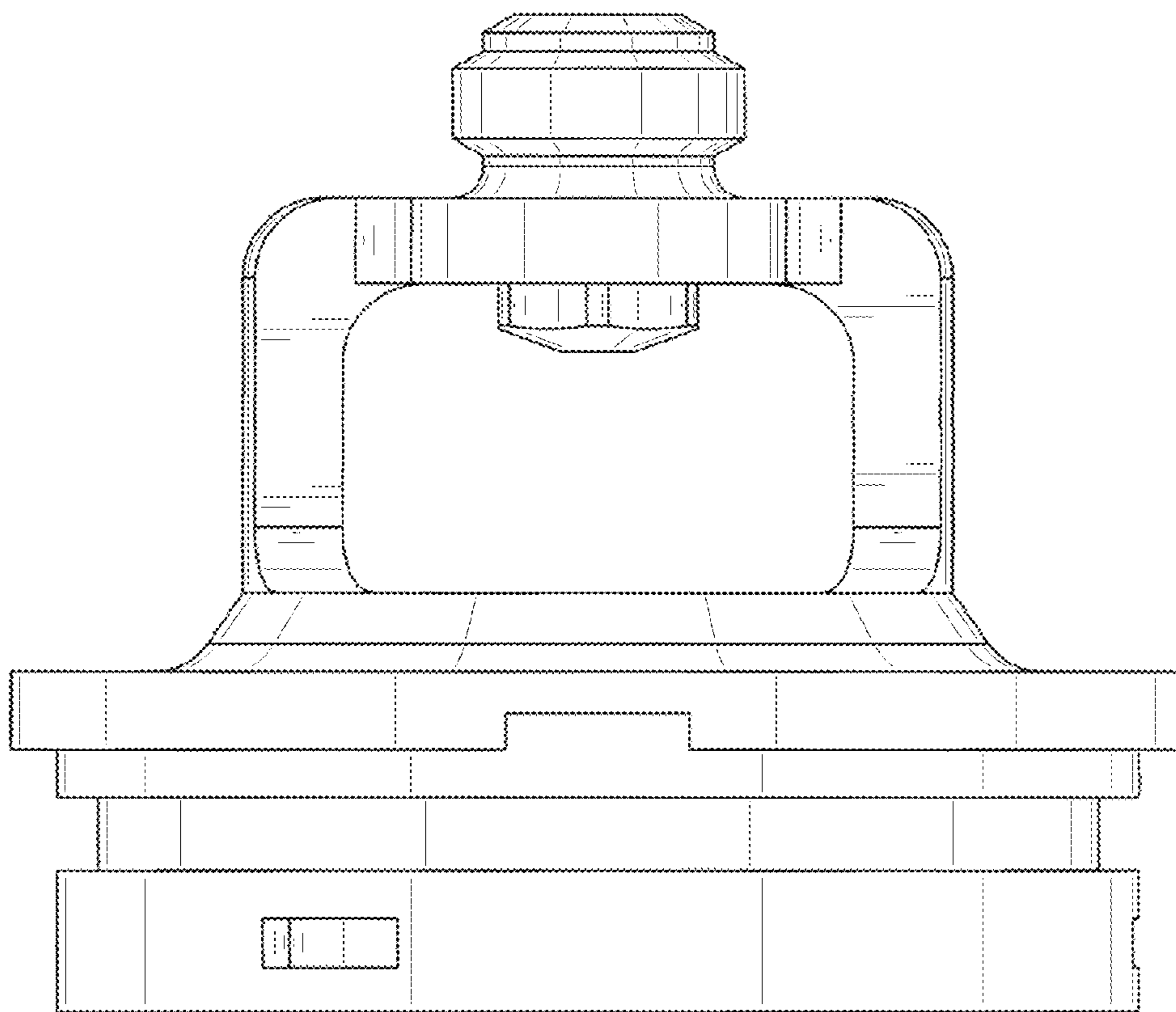


FIG 4

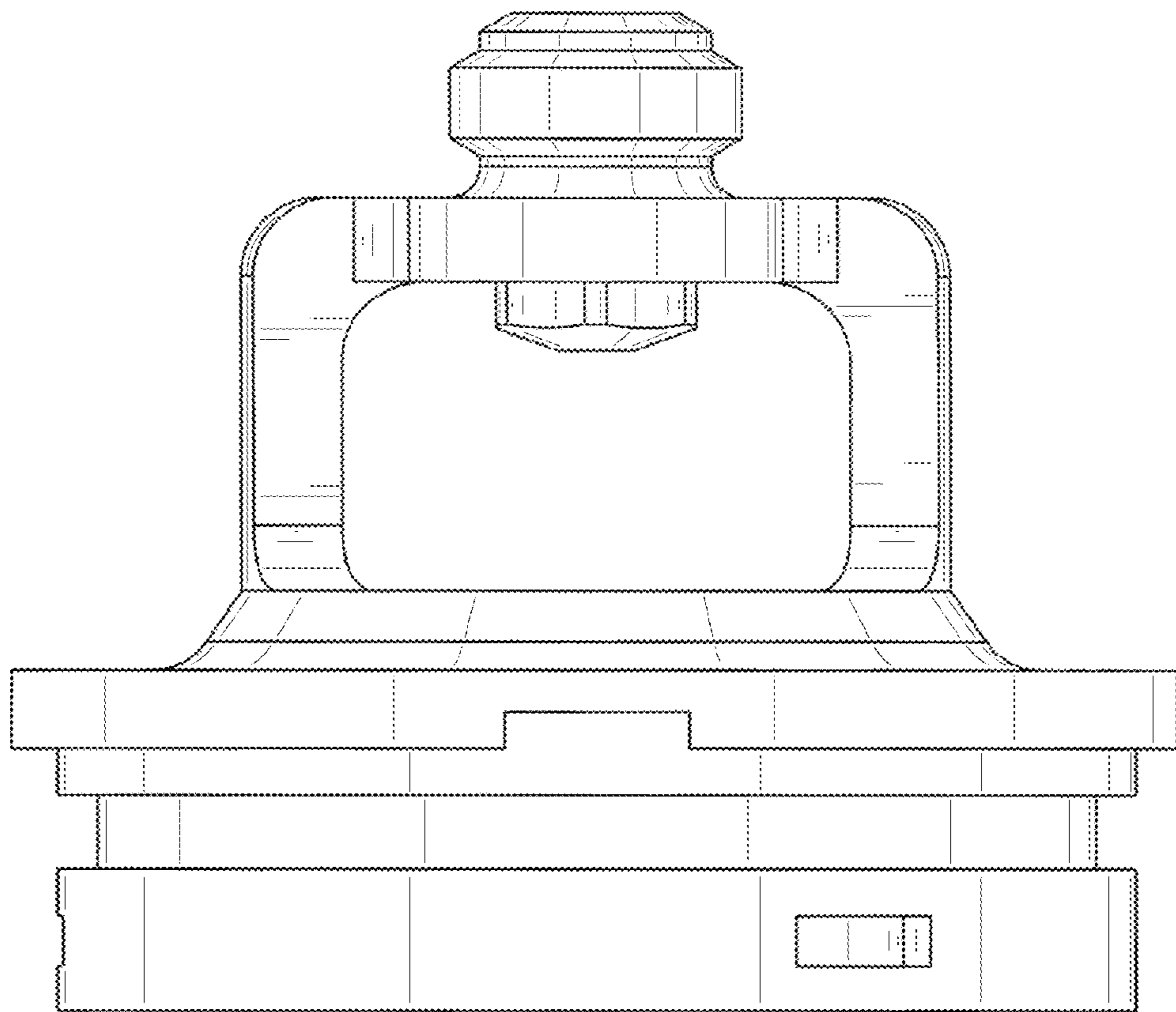


FIG 5

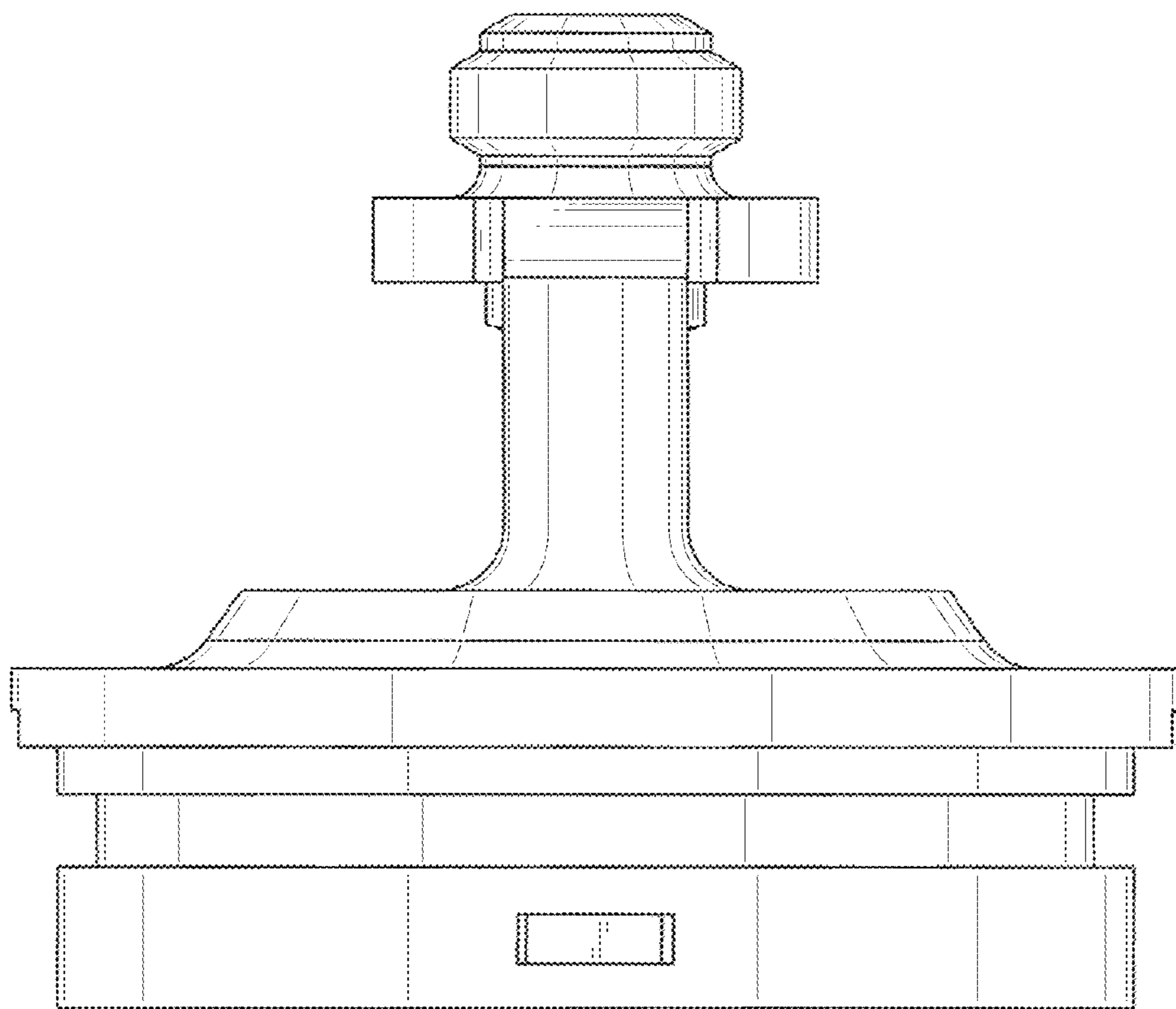


FIG 6



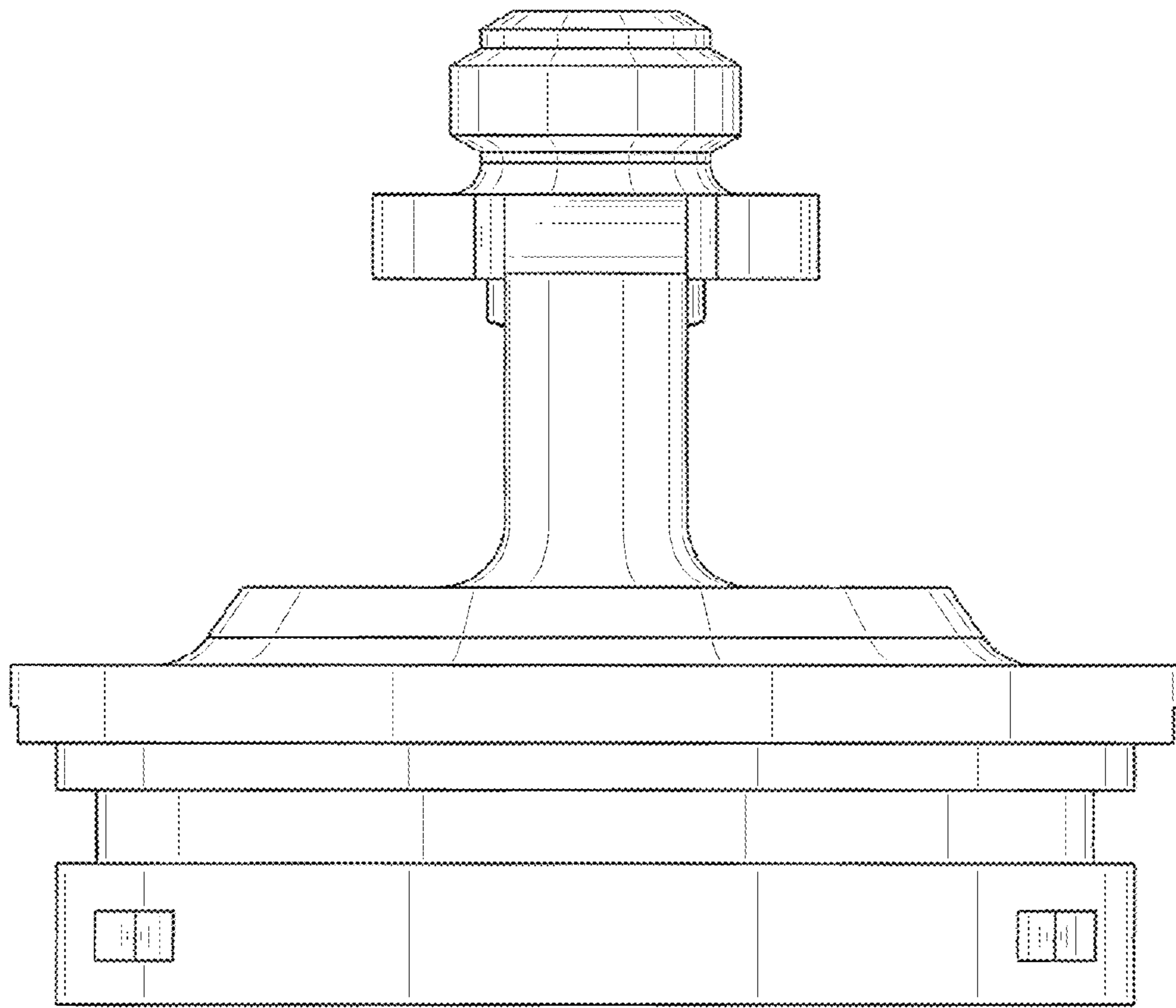


FIG 7

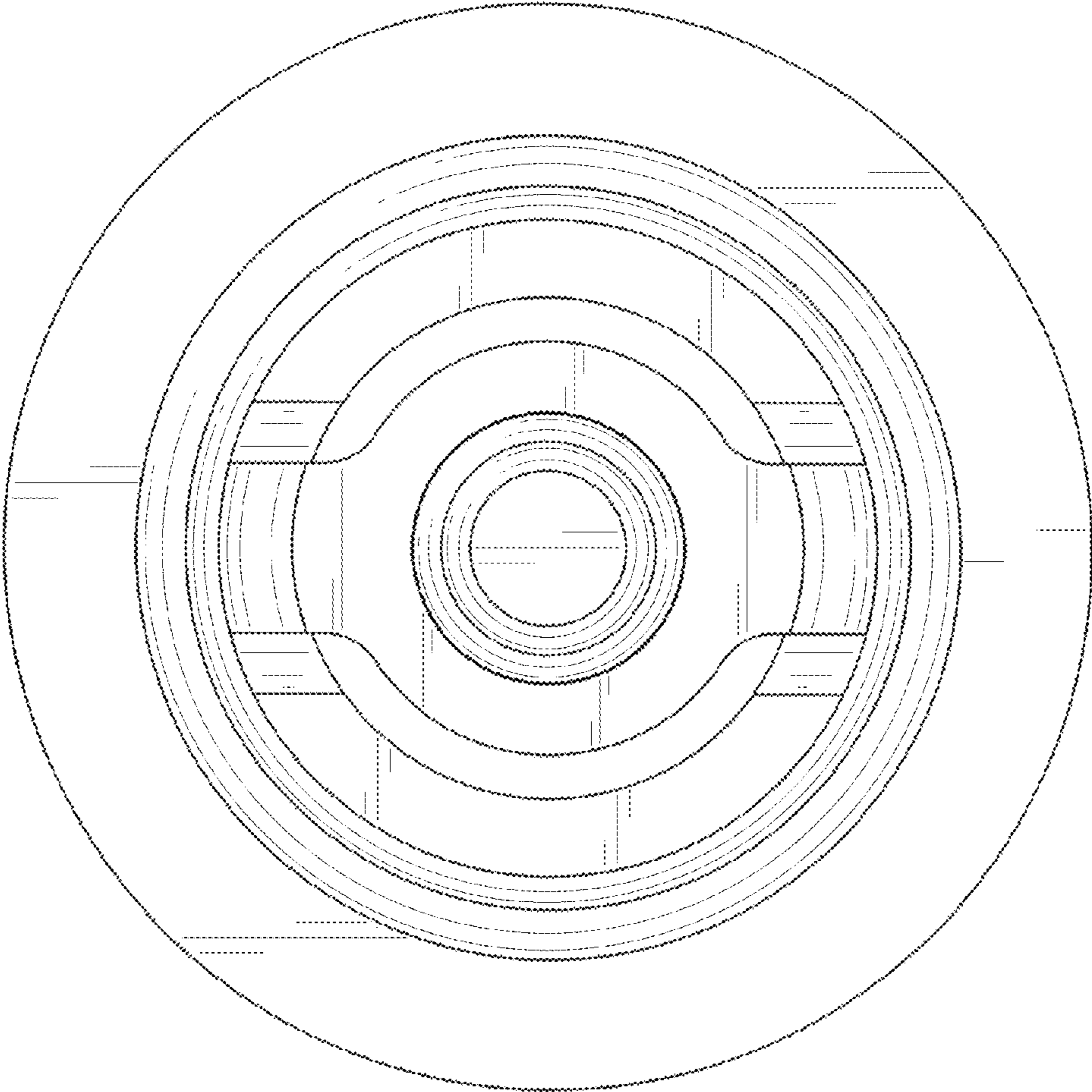


FIG 8

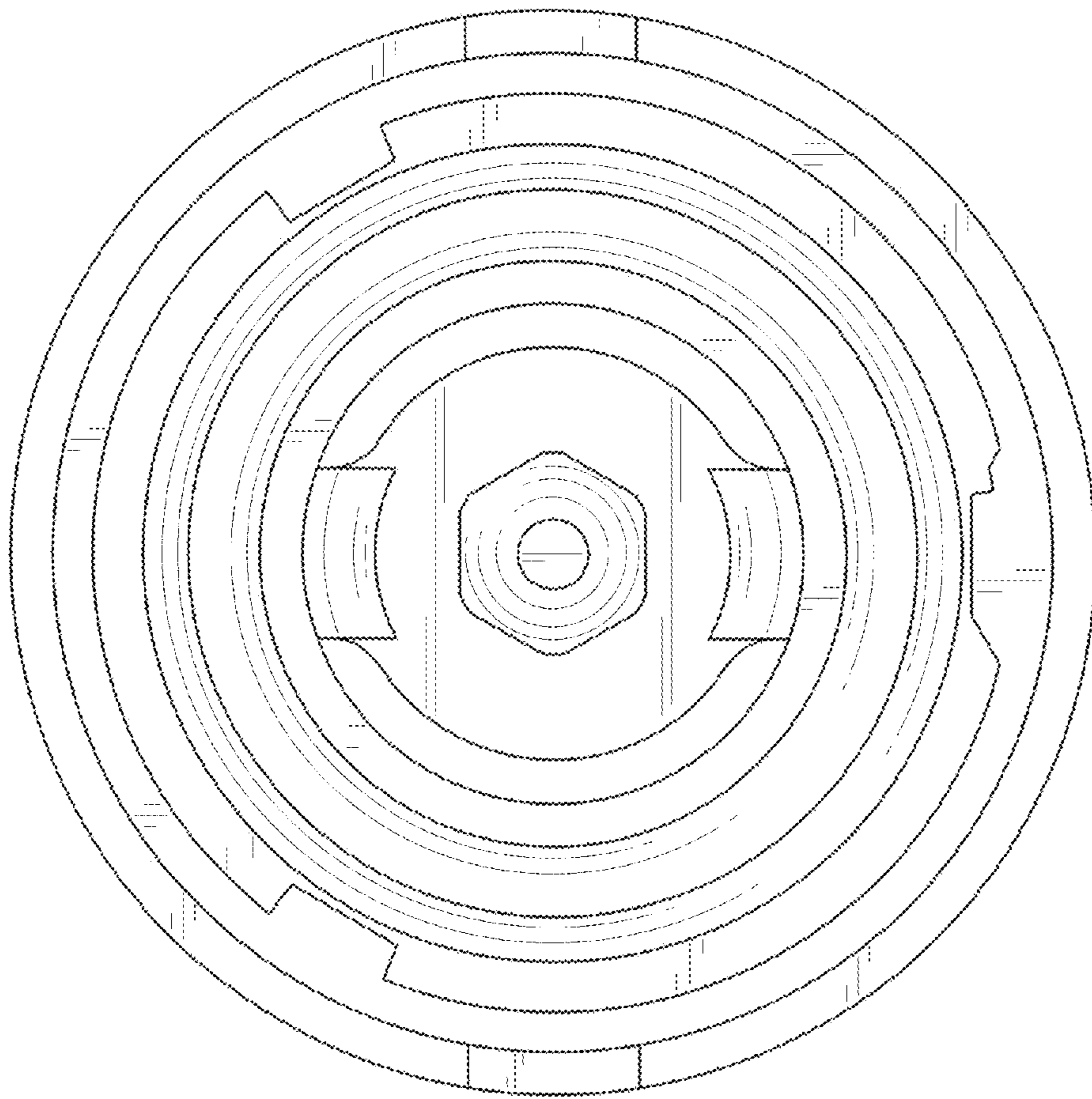


FIG 9