

US00D729903S

(12) **United States Design Patent**
Ramere

(10) **Patent No.:** **US D729,903 S**

(45) **Date of Patent:** **** May 19, 2015**

(54) **LIQUID AND AIR HAND PUMP TANK**

(71) Applicant: **Donna Alexandra Ramere,**
Jacksonville, FL (US)

(72) Inventor: **Donna Alexandra Ramere,**
Jacksonville, FL (US)

(**) Term: **14 Years**

(21) Appl. No.: **29/485,829**

(22) Filed: **Mar. 24, 2014**

(51) **LOC (10) Cl.** **23-01**

(52) **U.S. Cl.**
USPC **D23/225; D9/555**

(58) **Field of Classification Search**
USPC D23/213, 225, 231; D9/519, 555, 682;
141/10, 114, 313-4, 317, 319
See application file for complete search history.

(56) **References Cited**

U.S. PATENT DOCUMENTS

D295,886 S * 5/1988 Dolton et al. D23/205
D432,372 S * 10/2000 Iacofano et al. D8/2

D543,607 S * 5/2007 Meyhoefer D23/225
D555,504 S * 11/2007 Polina et al. D9/668
D582,781 S * 12/2008 Miller D9/538
D621,471 S * 8/2010 Bock D23/202
D673,644 S * 1/2013 DeLorme D23/202
D673,645 S * 1/2013 DeLorme D23/202
D700,948 S * 3/2014 McGiveron D23/202

* cited by examiner

Primary Examiner — Robin V Webster

(57) **CLAIM**

The ornamental design for a liquid and air hand pump tank, as shown and described.

DESCRIPTION

FIG. 1 is a right side view of the invention, the left side view being the mirror image of this view. The handle and nozzle structure shown in phantom lines is not claimed as part of the invention.

FIG. 2 is a front side view of the invention, the rear view being identical.

FIG. 3 is a top view of the invention; and,
FIG. 4 is a bottom view of the invention.

1 Claim, 3 Drawing Sheets

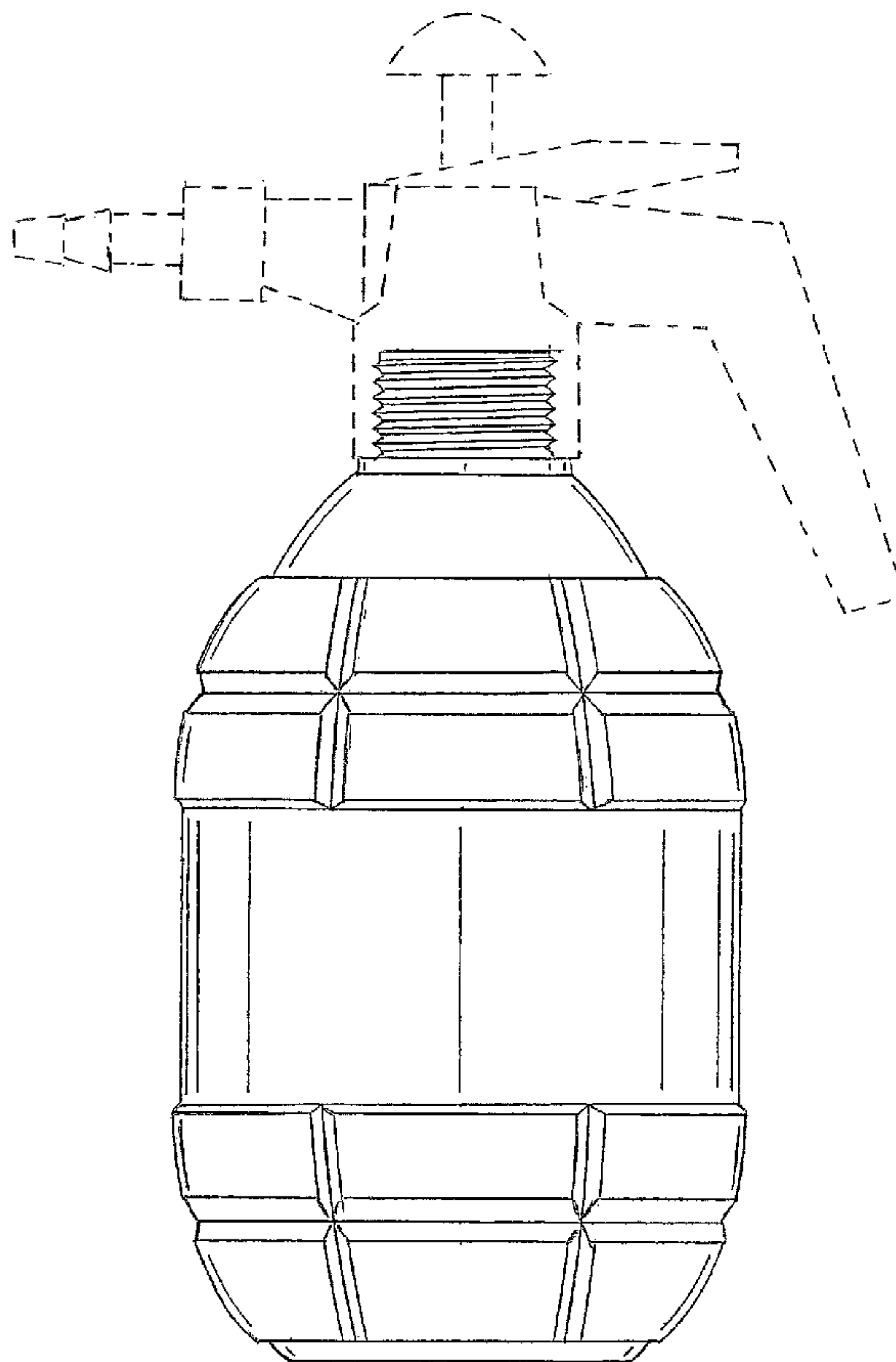


FIG. 1

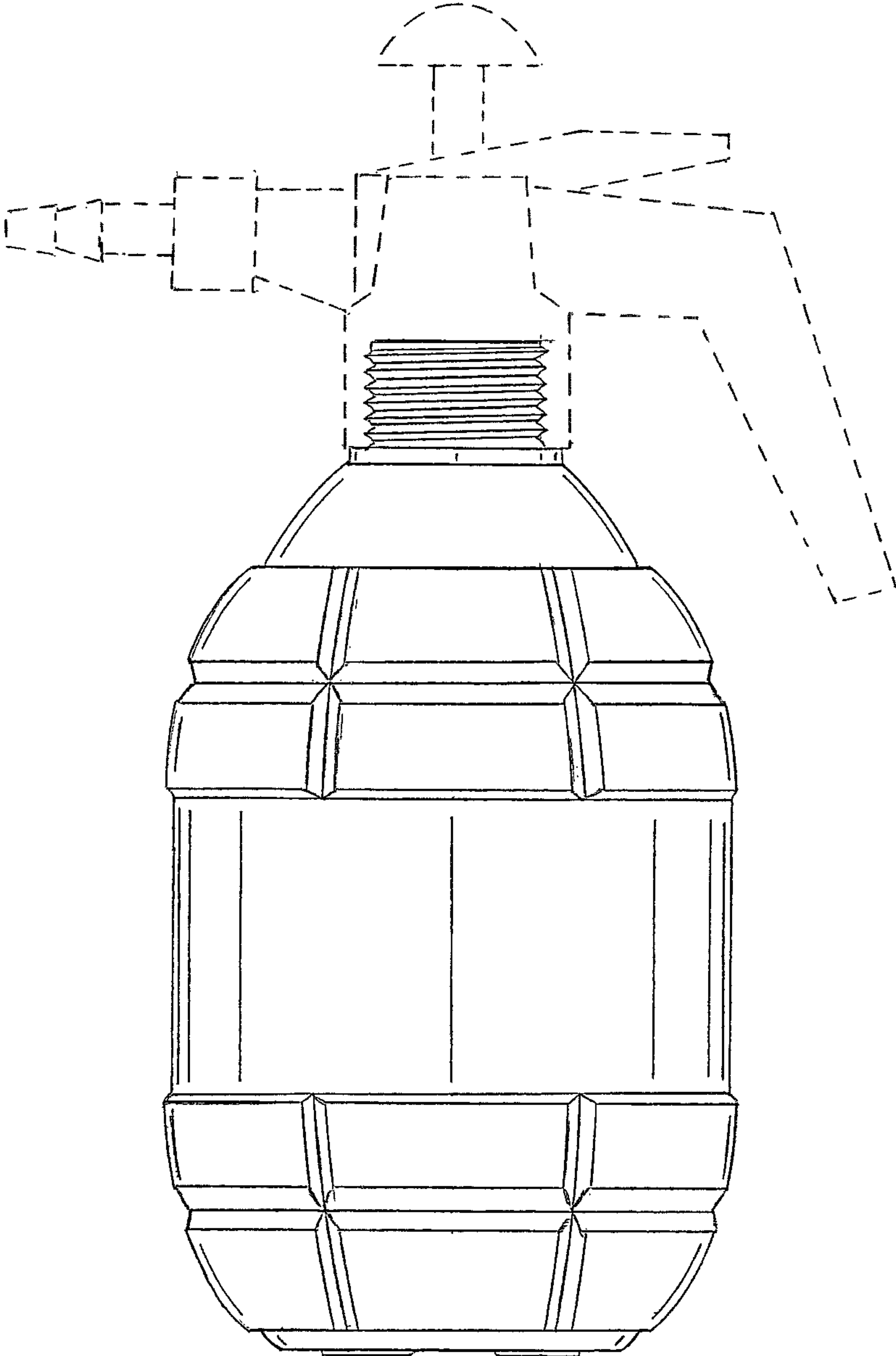


FIG. 2

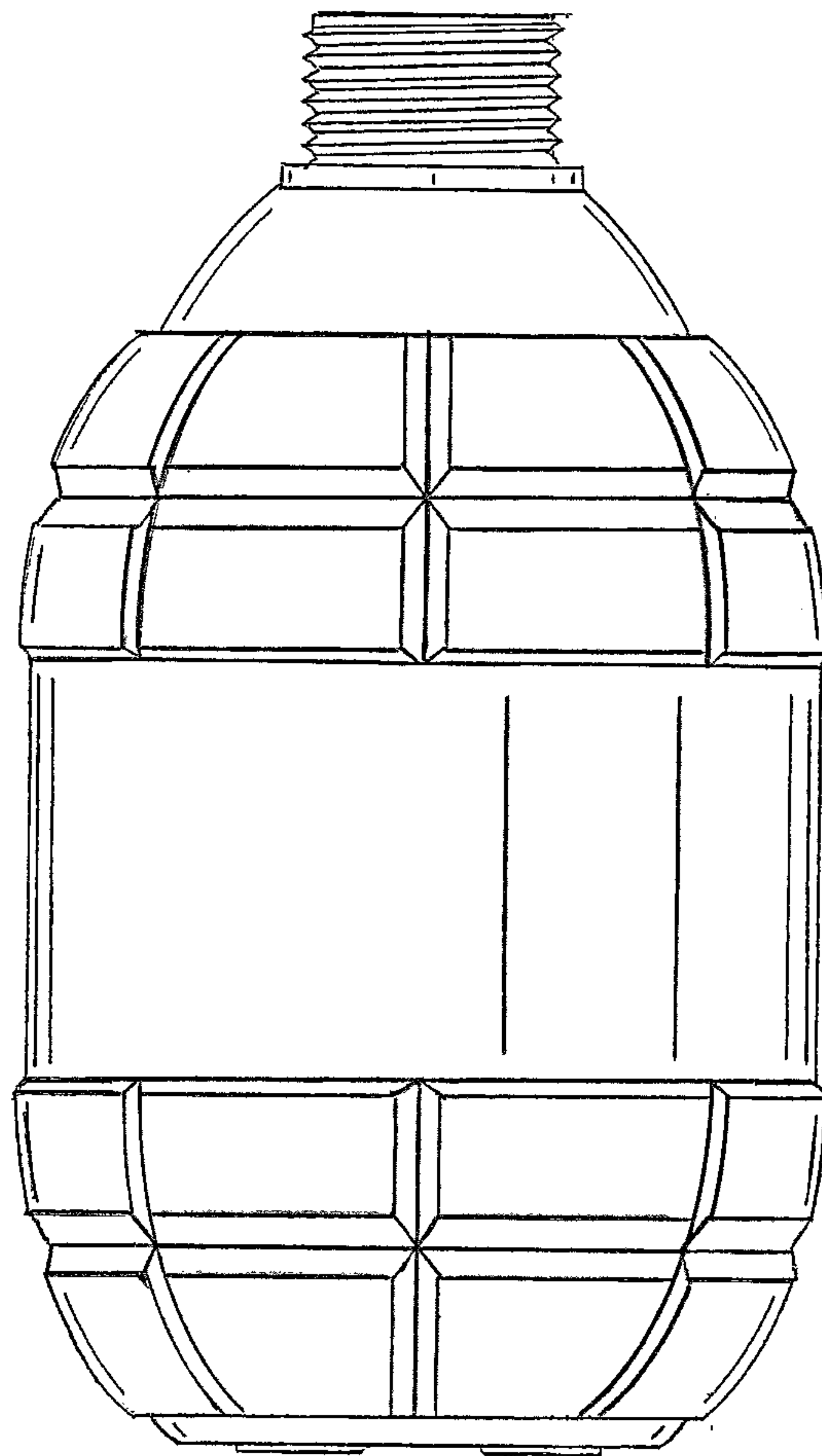


FIG. 3

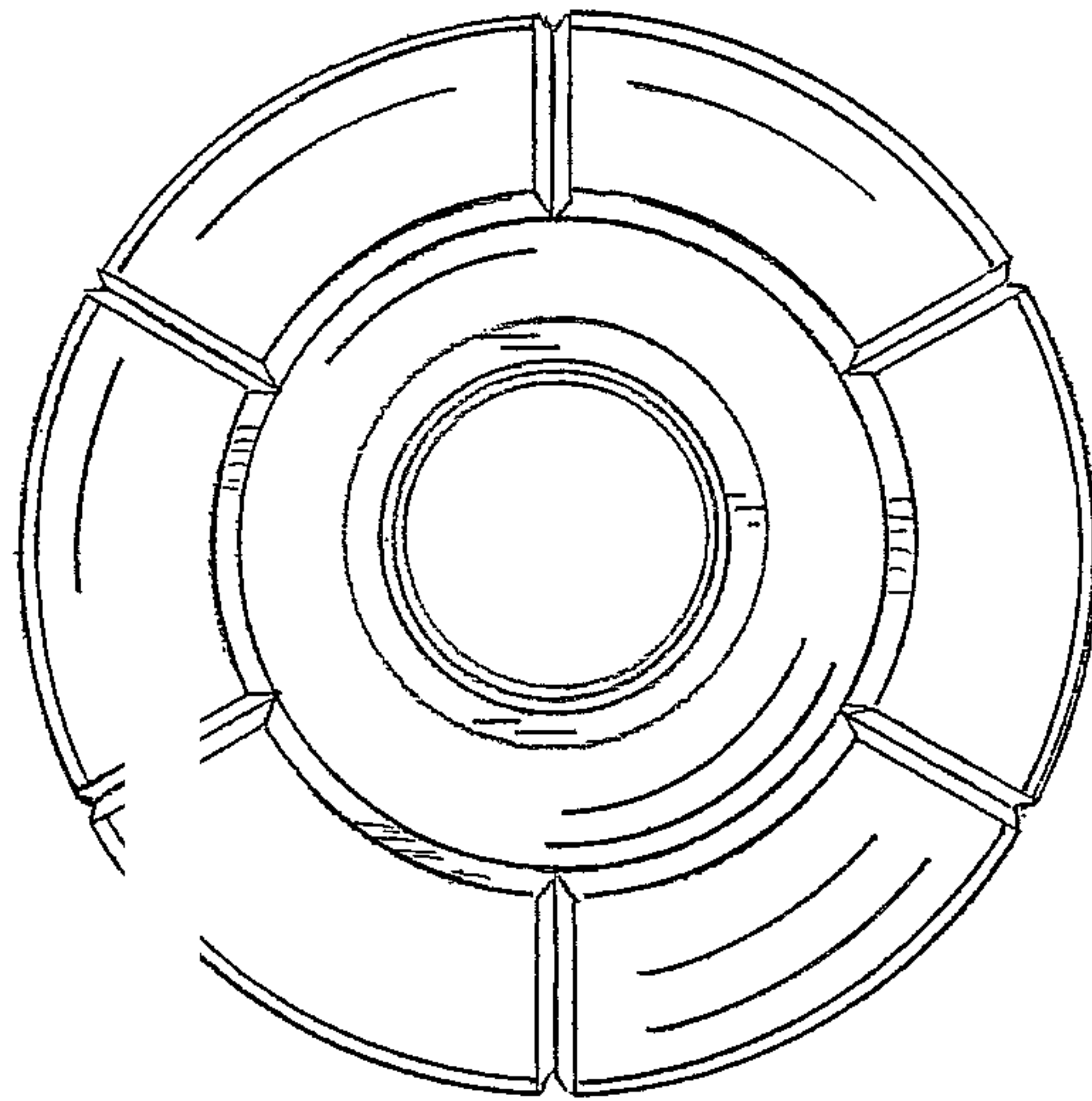


FIG. 4

