



US00D729902S

(12) **United States Design Patent**  
**Hollinger**

(10) **Patent No.:** **US D729,902 S**

(45) **Date of Patent:** **\*\* May 19, 2015**

(54) **SPRAY WAND FOR HOSE**

(71) Applicant: **E. MISHAN & SONS, INC.**, New York, NY (US)

(72) Inventor: **Fred Hollinger**, Monroe Township, NJ (US)

(73) Assignee: **E. MISHAN & SONS, INC.**, New York, NY (US)

(\*\*) Term: **14 Years**

(21) Appl. No.: **29/501,689**

(22) Filed: **Sep. 8, 2014**

(51) **LOC (10) Cl.** ..... **23-01**

(52) **U.S. Cl.**  
USPC ..... **D23/223**

(58) **Field of Classification Search**  
USPC ..... D23/213, 223, 226; 239/525-7, 532  
See application file for complete search history.

(56) **References Cited**

U.S. PATENT DOCUMENTS

D270,560 S	9/1983	Clivio et al.	
D291,113 S	7/1987	Bauer	
D294,965 S	3/1988	Garrard et al.	
D358,195 S *	5/1995	Tsai	D23/213
D387,126 S	12/1997	Hayden	
5,966,847 A *	10/1999	Nathenson et al.	37/347
D425,603 S	5/2000	Guo	
D463,843 S	10/2002	Howell	
D498,288 S *	11/2004	Chen	D23/223
D512,121 S *	11/2005	Chen	D23/223
D513,426 S *	1/2006	Chen	D23/223
D612,451 S	3/2010	Nugent et al.	
D612,452 S	3/2010	Nugent et al.	
D617,416 S *	6/2010	Chen	D23/223
8,573,237 B2 *	11/2013	Crum	134/198
D699,814 S	2/2014	Ondarra	
8,640,979 B2 *	2/2014	Wu	239/532
D709,990 S *	7/2014	Loudon et al.	D23/223
D710,484 S *	8/2014	Ariss	D23/223

\* cited by examiner

Primary Examiner — Robin V Webster

(74) *Attorney, Agent, or Firm* — Notaro, Michalos & Zaccaria P.C.

(57) **CLAIM**

The ornamental design for a spray wand for hose, as shown and described.

**DESCRIPTION**

FIG. 1 is a left side elevational view of a spray wand for hose showing my design therefor;

FIG. 2 is a front, top, left perspective view thereof, portion of the elongated part of the design being cut away to allow a larger scale to show details of the invention;

FIG. 3 is a rear, right, top perspective view thereof;

FIG. 4 is a front elevational view thereof;

FIG. 5 is a rear elevational view thereof;

FIG. 6 is a left side elevational view thereof;

FIG. 7 is a right side elevational view thereof;

FIG. 8 is a top plan view thereof;

FIG. 9 is a bottom plan view thereof;

FIG. 10 is a view similar to FIG. 1 showing my design with a valve member in a different position;

FIG. 11 is a view similar to FIG. 2 with the valve shown in a different position;

FIG. 12 is a view similar to FIG. 3 with the valve in a different position;

FIG. 13 is a view similar to FIG. 4 with the valve in a different position;

FIG. 14 is a view similar to FIG. 5 with the valve in a different position;

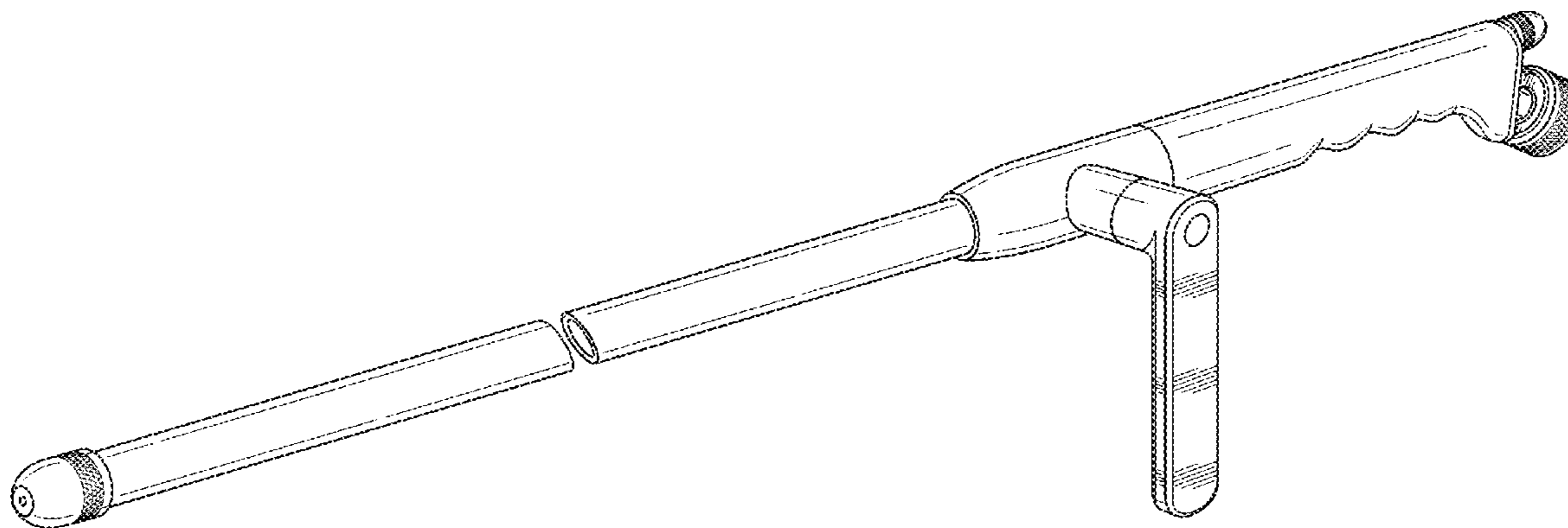
FIG. 15 is a view similar to FIG. 6 with the valve in a different position;

FIG. 16 is a view similar to FIG. 7 with the valve in a different position;

FIG. 17 is a view similar to FIG. 8 with the valve in a different position; and,

FIG. 18 is a view similar to FIG. 9 with the valve in a different position.

**1 Claim, 12 Drawing Sheets**



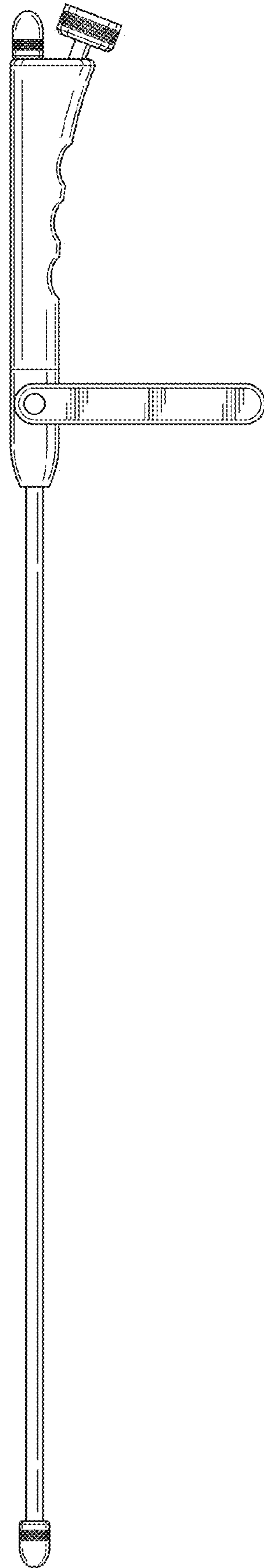


FIG. 1

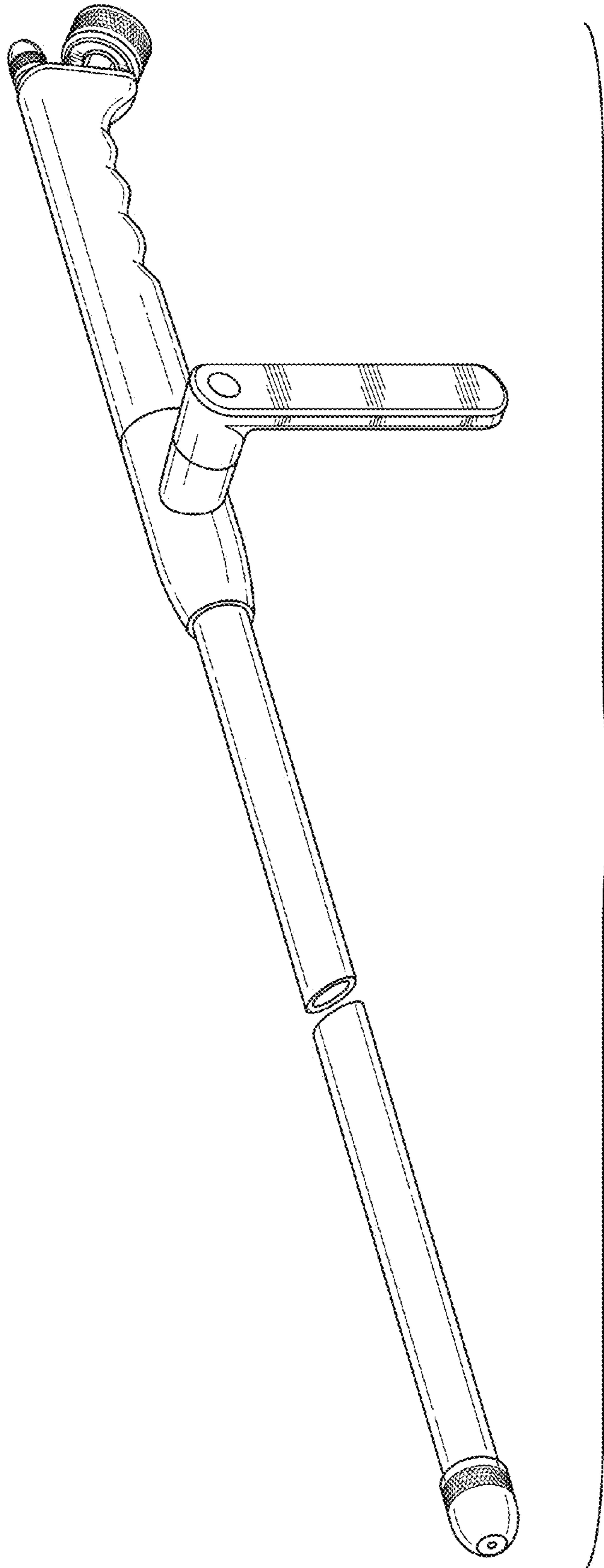


FIG. 2

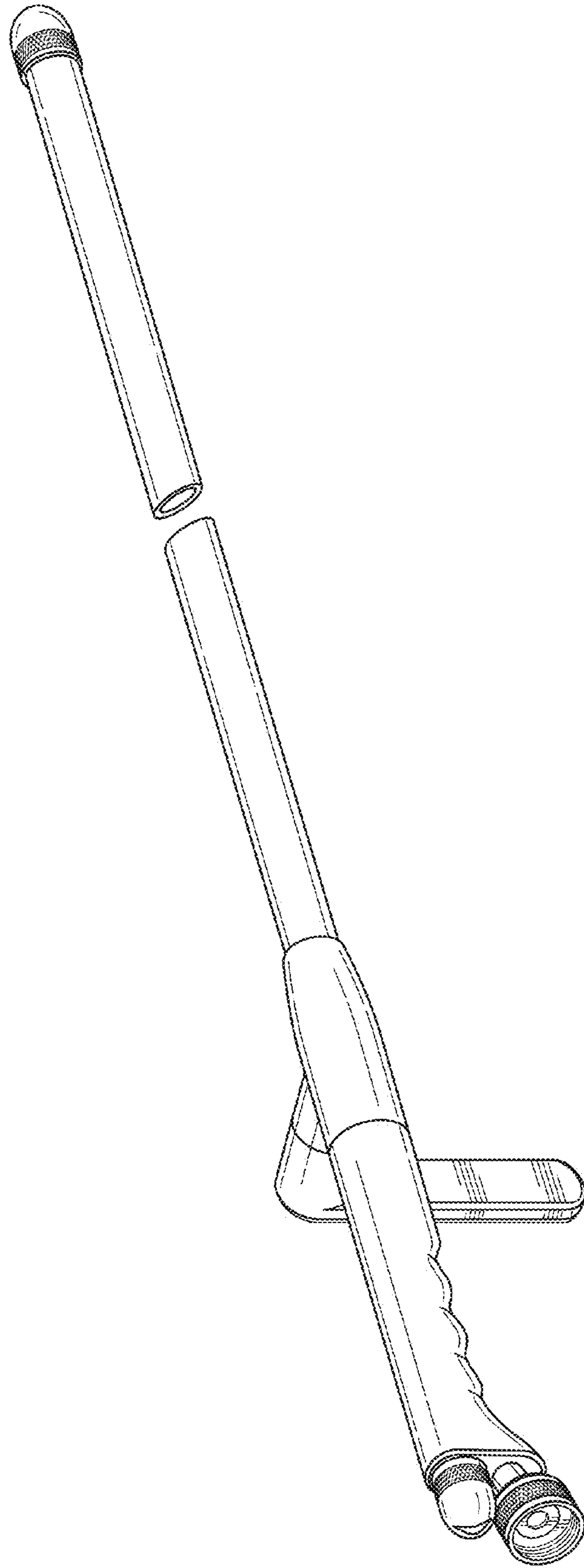


FIG. 3

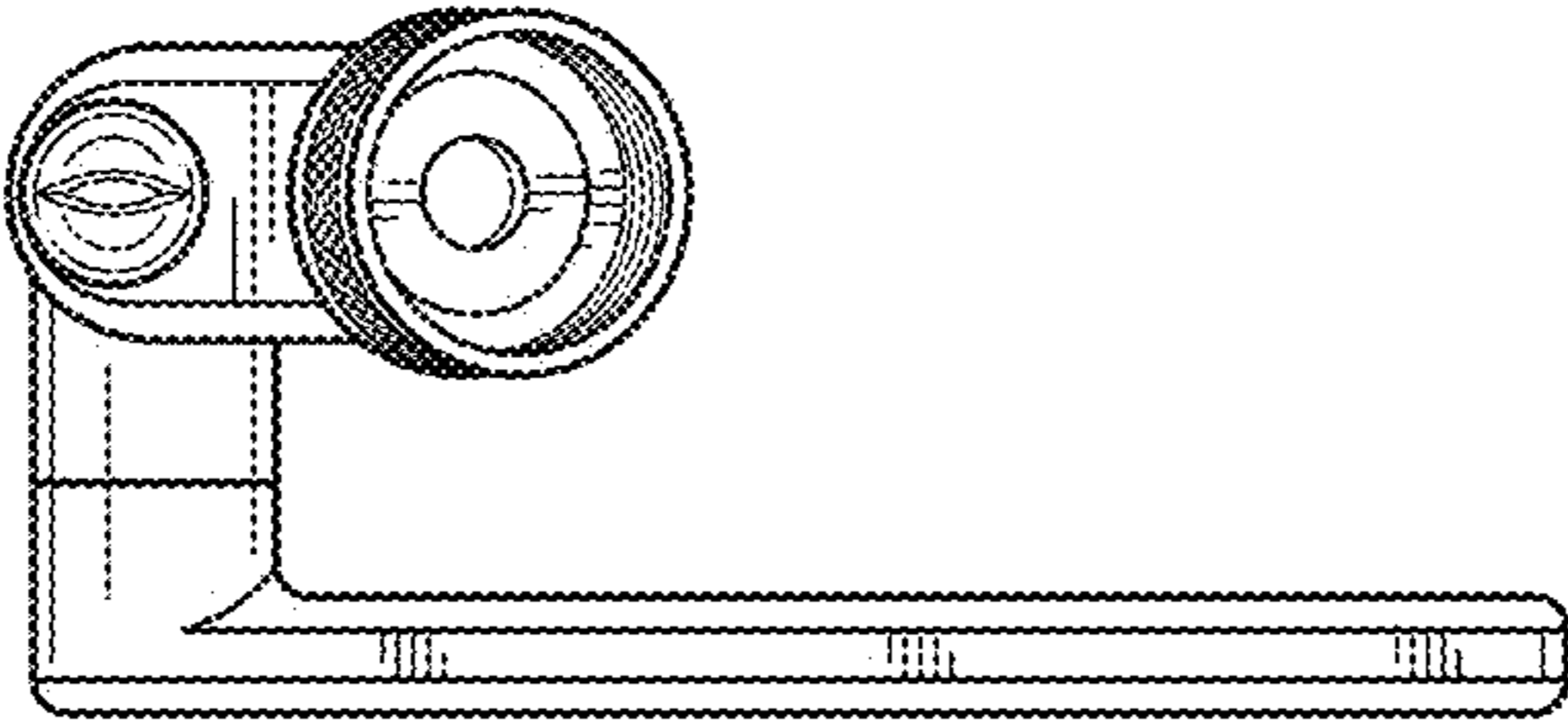


FIG. 5

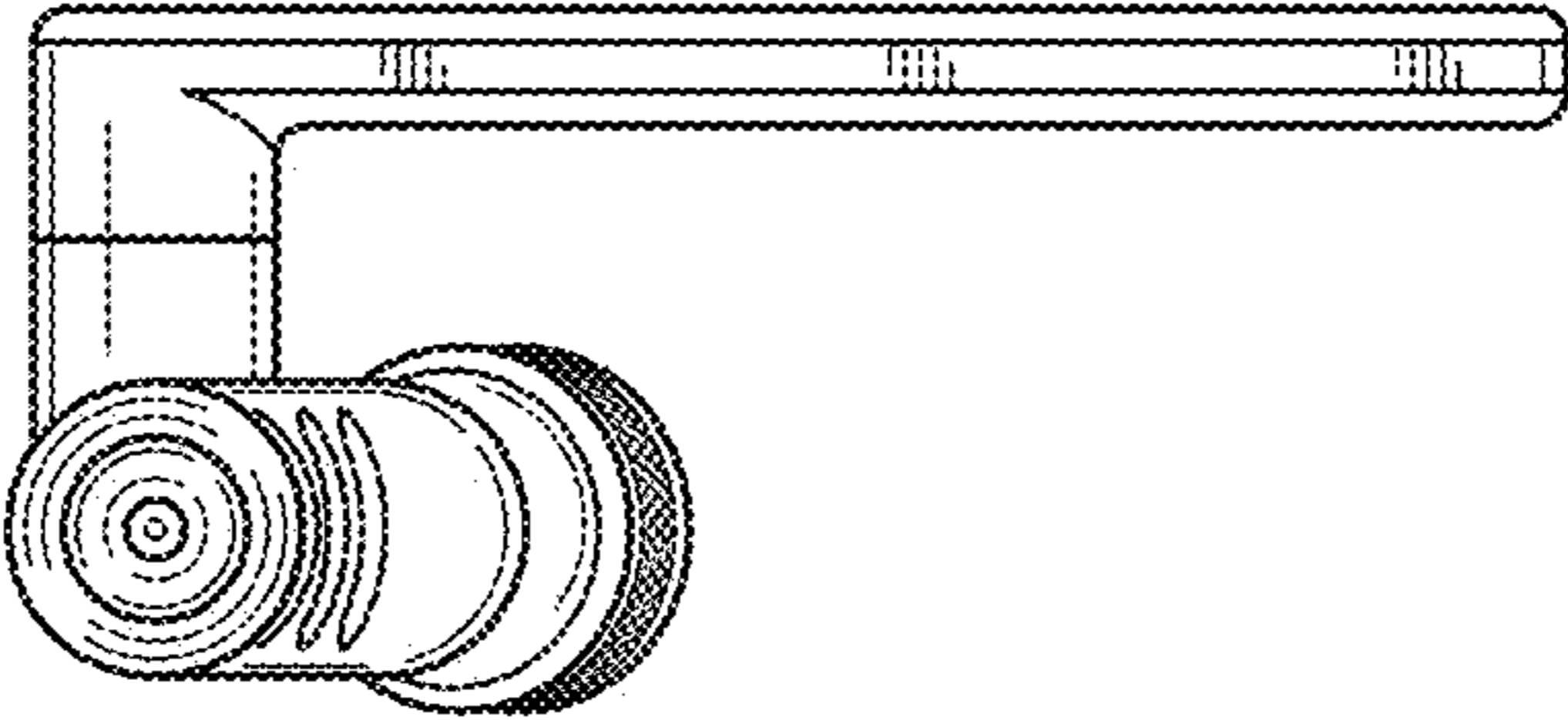


FIG. 4

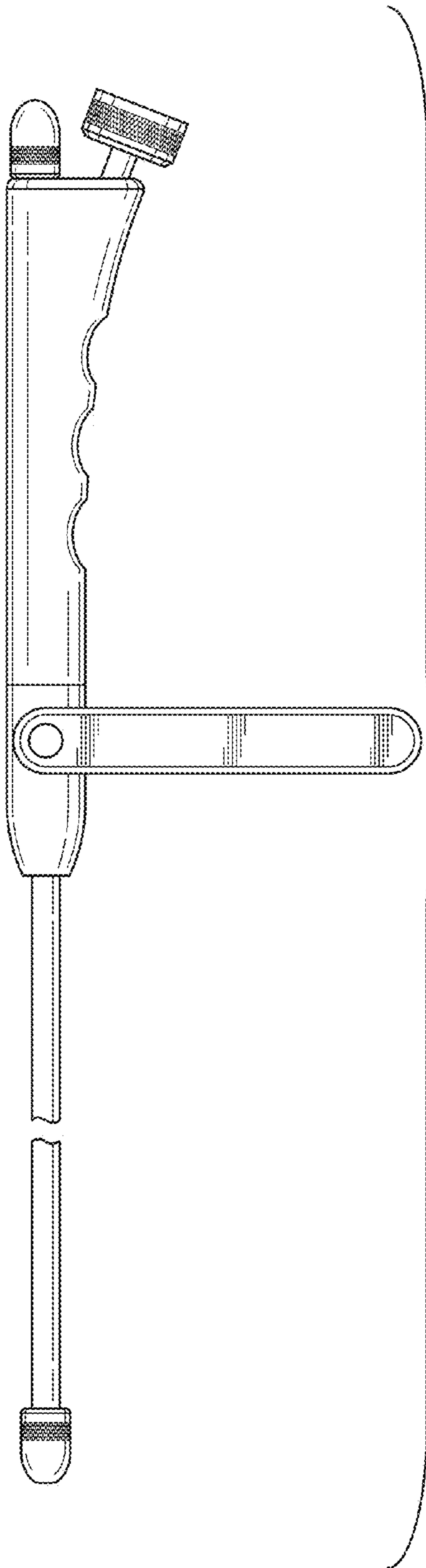


FIG. 6

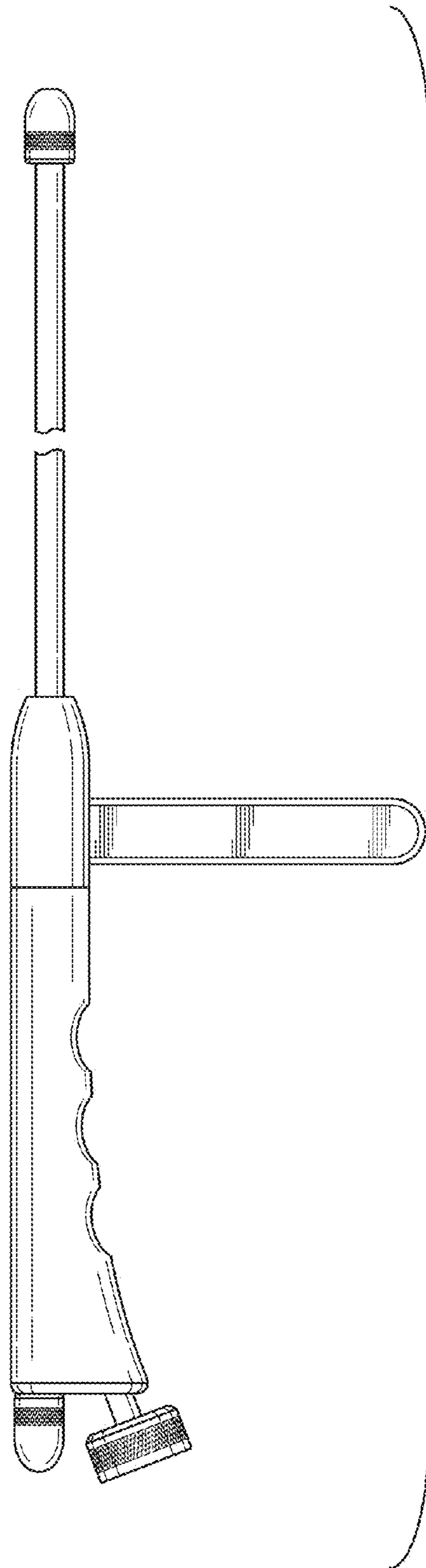


FIG. 7

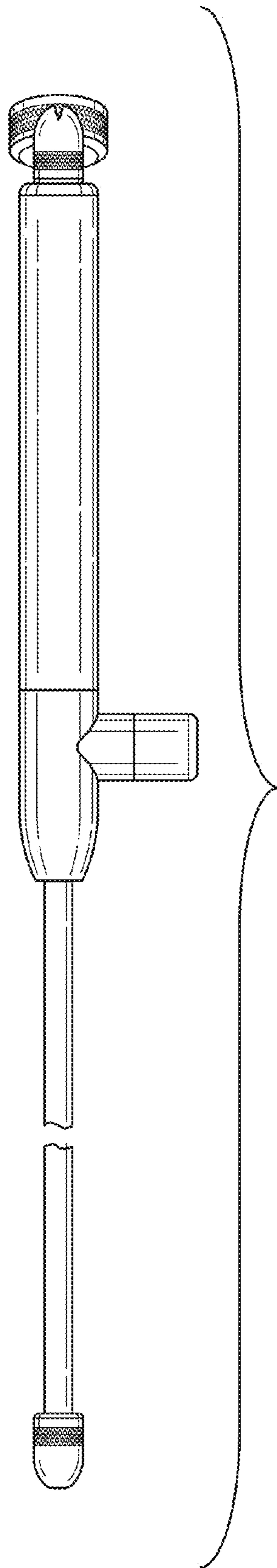


FIG. 8

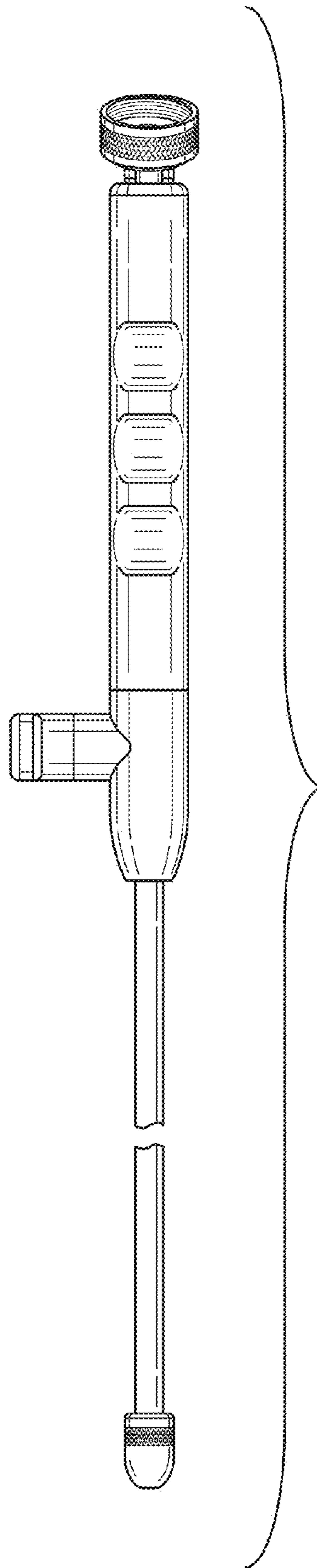


FIG. 9

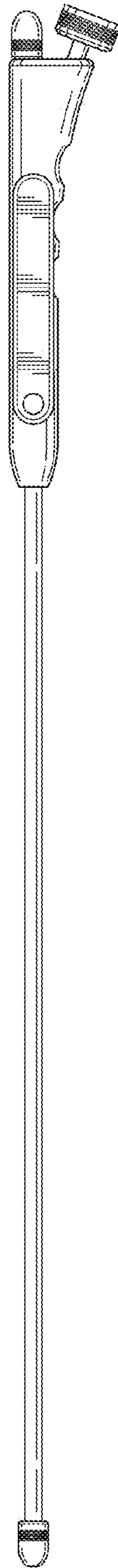


FIG. 10



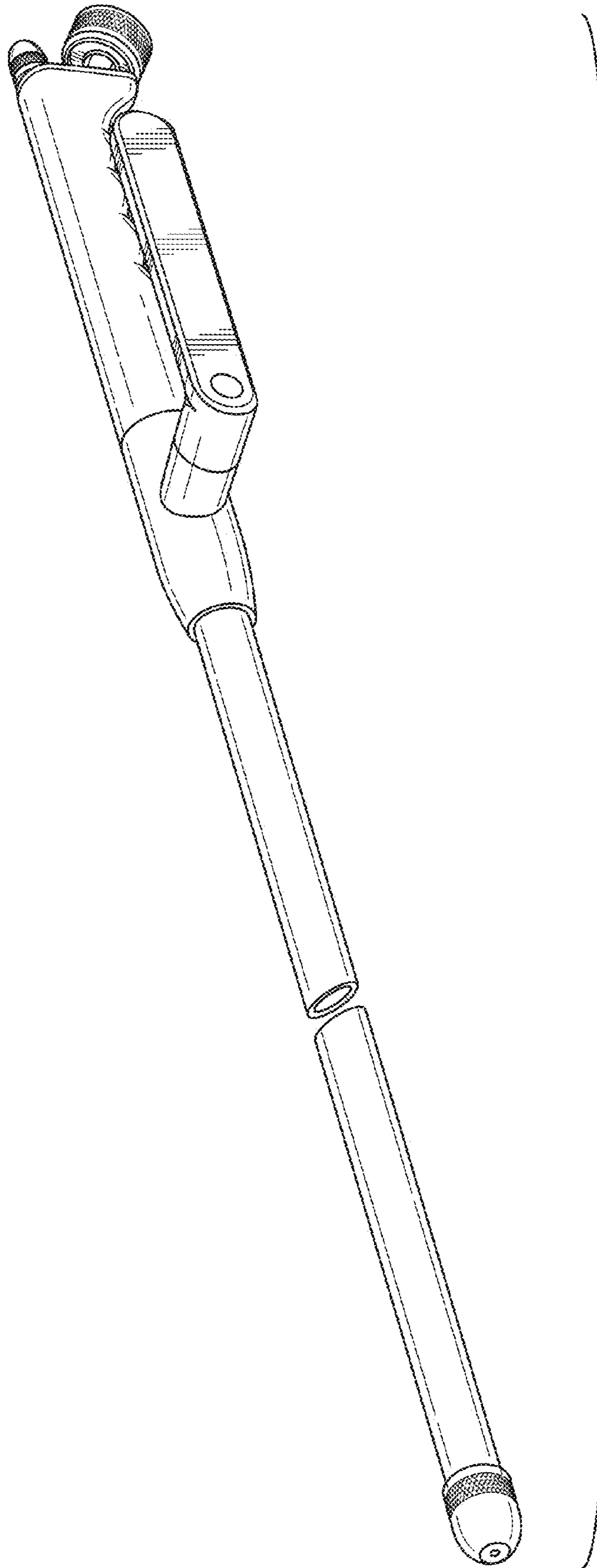


FIG. 11

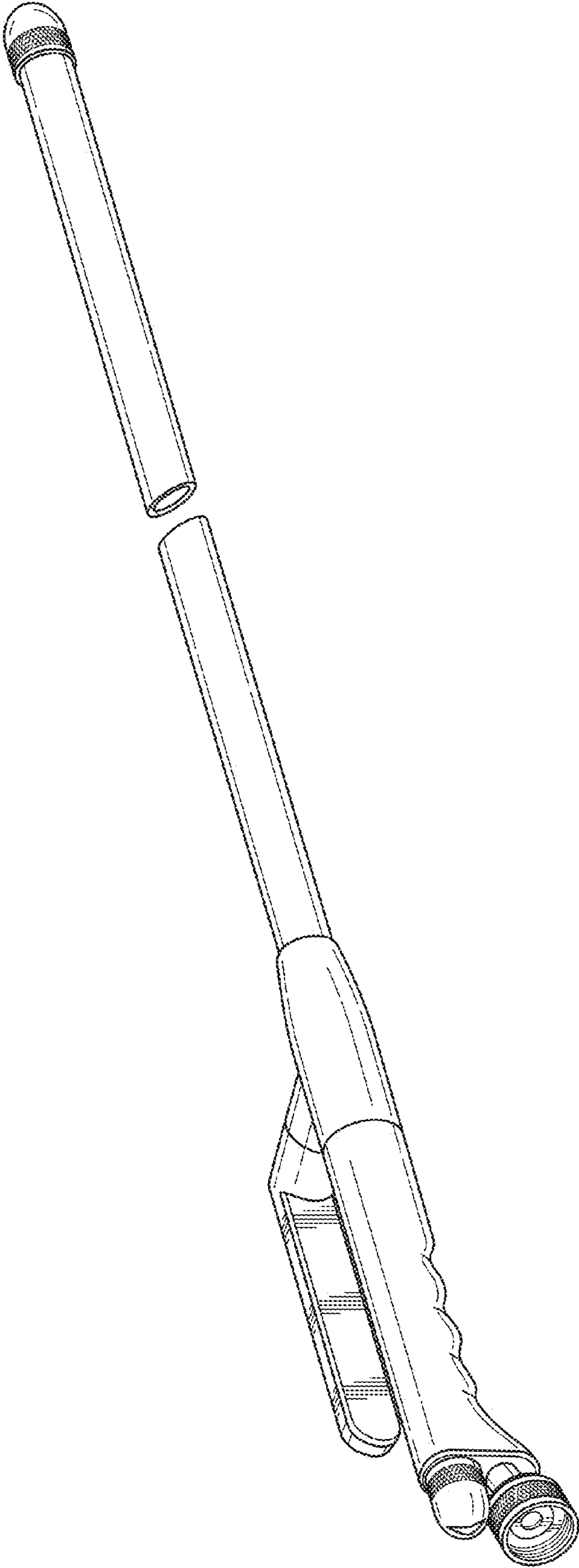


FIG. 12

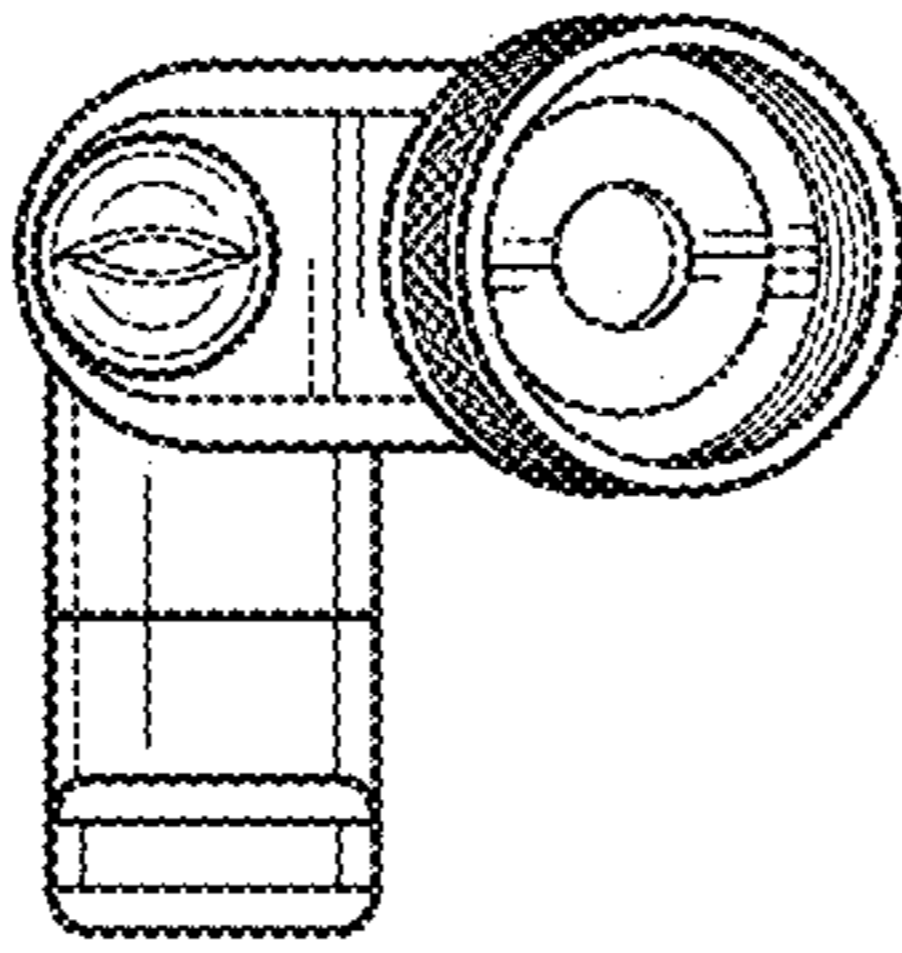


FIG. 14

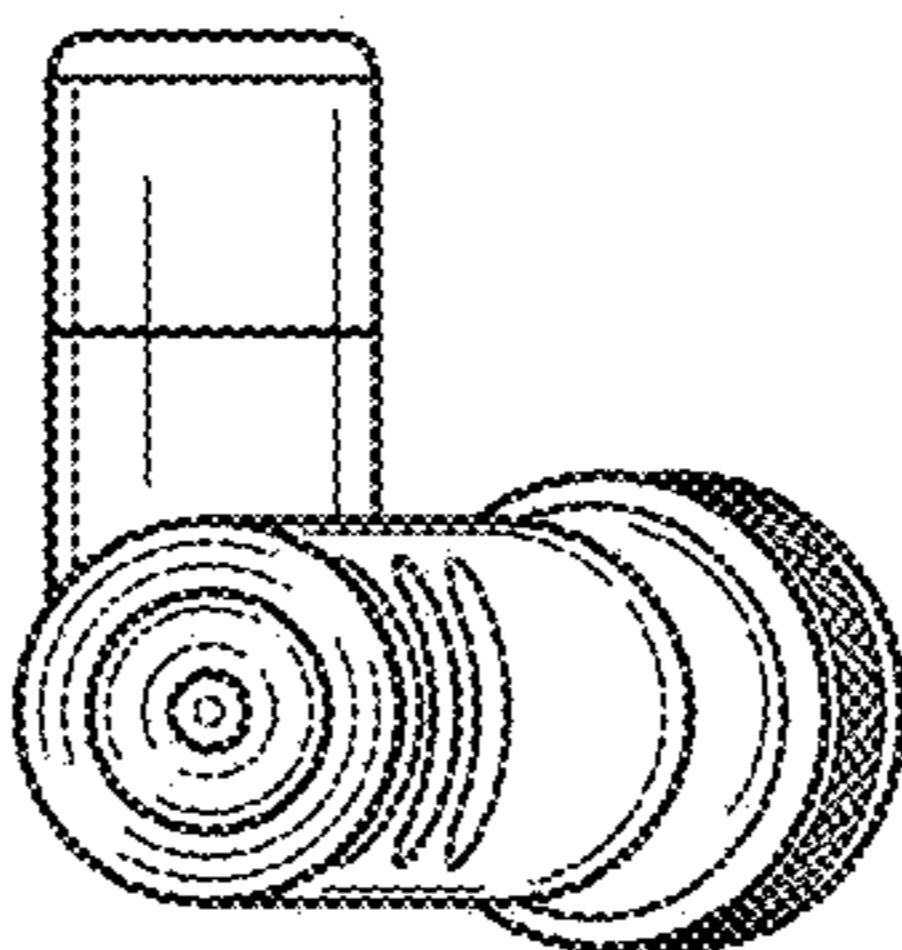


FIG. 13

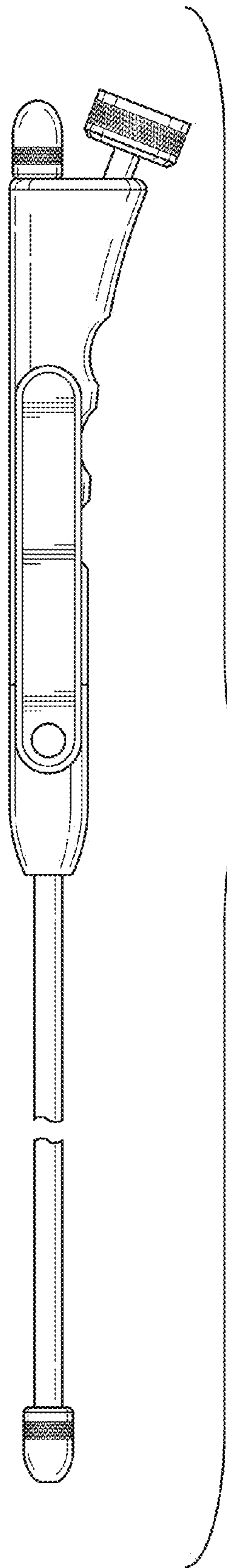


FIG. 15

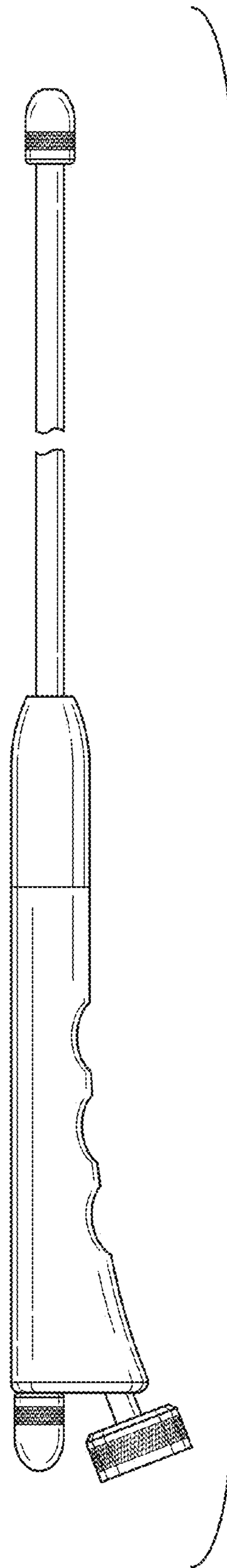


FIG. 16

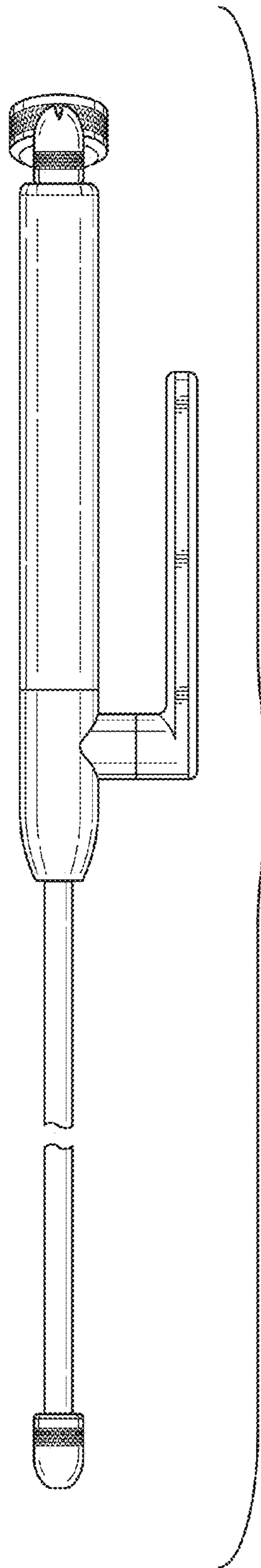


FIG. 17

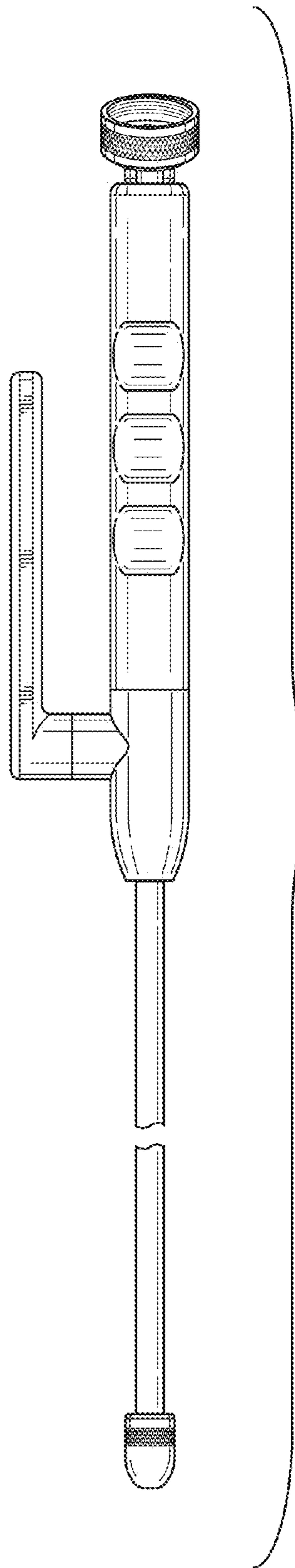


FIG. 18