



US00D729896S

(12) **United States Design Patent**  
**Martinez**

(10) **Patent No.:** **US D729,896 S**  
(45) **Date of Patent:** **\*\* May 19, 2015**

- (54) **AIR VEHICLE ROTATABLE WIND-DRIVEN SLEEVE**
- (71) Applicant: **Elio Martinez**, Newark, NJ (US)
- (72) Inventor: **Elio Martinez**, Newark, NJ (US)
- (\*\*) Term: **14 Years**
- (21) Appl. No.: **29/477,184**
- (22) Filed: **Dec. 19, 2013**
- (51) **LOC (10) Cl.** ..... **22-03**
- (52) **U.S. Cl.**  
USPC ..... **D22/115**
- (58) **Field of Classification Search**  
CPC ..... F42B 6/00; F42B 15/00; F42B 17/00;  
F42B 30/08  
USPC ..... D22/115-116; 108/346, 430, 439, 448,  
108/458, 460, 464-468, 471, 501, 506, 508,  
108/514, 517, 52; 86/10, 19.5, 23, 25,  
86/46-48, 54-55  
See application file for complete search history.

5,393,012	A	2/1995	Dunn	
6,581,522	B1 *	6/2003	Julien et al. ....	102/431
6,679,178	B2 *	1/2004	Mihaylov et al. ....	102/439
6,832,740	B1 *	12/2004	Ransom .....	244/3.13
7,222,573	B2 *	5/2007	Pontieri .....	102/501
7,354,017	B2 *	4/2008	Morris et al. ....	244/3.23
7,752,977	B1 *	7/2010	Babcock et al. ....	102/501
8,119,959	B1	2/2012	Ransom	
2002/0134273	A1 *	9/2002	Mihaylov et al. ....	102/439
2005/0241524	A1 *	11/2005	Garcia .....	102/521
2007/0151474	A1 *	7/2007	Widener .....	102/501
2008/0061188	A1	3/2008	Morris et al.	
2008/0156221	A1 *	7/2008	O'Dwyer .....	102/501

\* cited by examiner

*Primary Examiner* — Michael A Pratt

(74) *Attorney, Agent, or Firm* — QuickPatents; Kevin Prince

(57) **CLAIM**

I claim the ornamental design for an air vehicle rotatable wind-driven sleeve, as shown and described.

**DESCRIPTION**

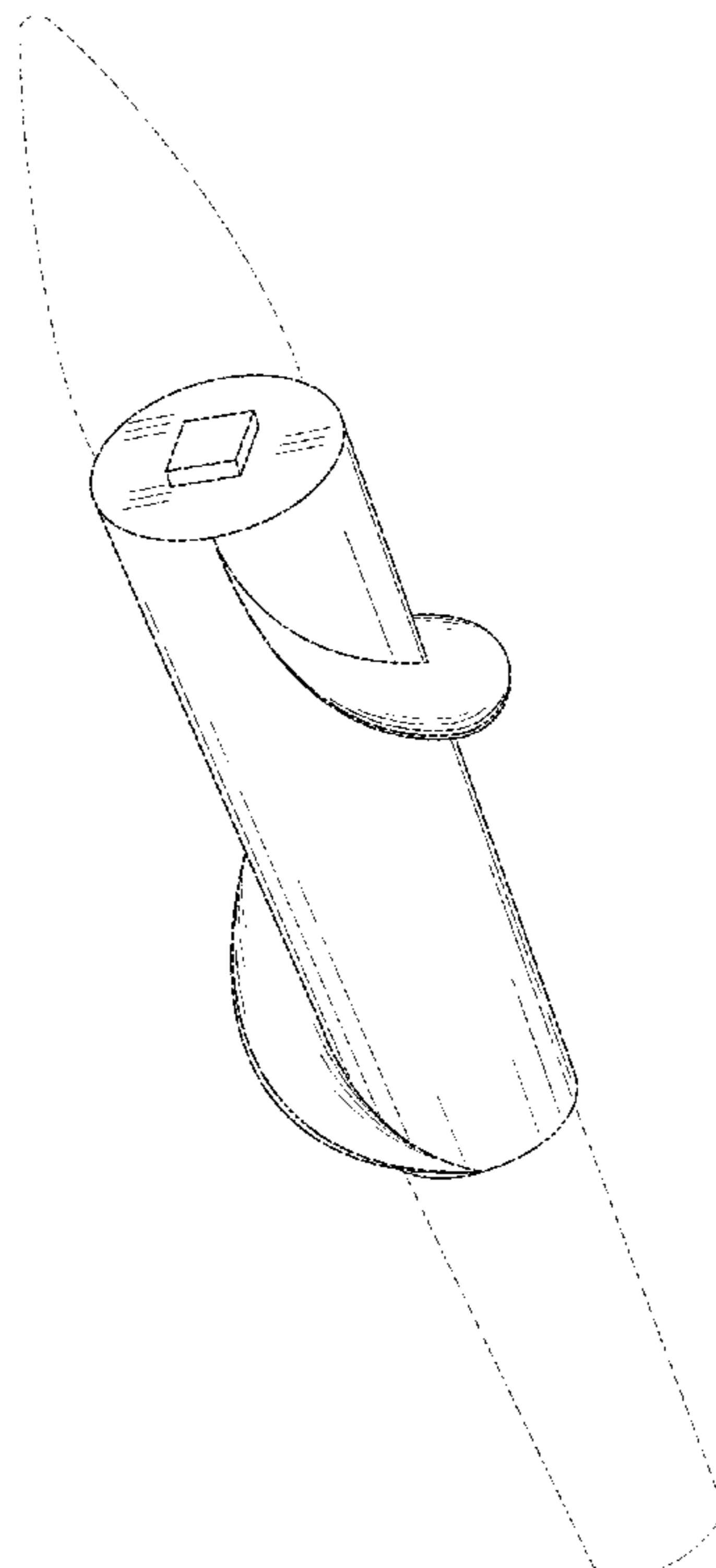
FIG. 1 is a perspective view of an air vehicle rotatable wind-driven sleeve, showing my new design;  
 FIG. 2 is a top plan view thereof;  
 FIG. 3 is a bottom plan view thereof;  
 FIG. 4 is a left-side elevational view thereof;  
 FIG. 5 is a right-side elevational view thereof;  
 FIG. 6 is a top plan view thereof; and,  
 FIG. 7 is a bottom plan view thereof.  
 The broken lines showing a rocket in FIG. 1 depict environmental matter and form no part of the claimed design.

**1 Claim, 3 Drawing Sheets**

(56) **References Cited**

U.S. PATENT DOCUMENTS

1,297,294	A	3/1919	Edison	
2,545,496	A *	3/1951	Short .....	244/3.23
3,062,145	A *	11/1962	Morgan et al. ....	102/436
3,604,708	A	9/1971	Brozina	
4,964,593	A	10/1990	Kranz	
5,139,215	A	8/1992	Peckham	
5,164,538	A *	11/1992	McClain, III .....	102/517
5,368,255	A	11/1994	August	



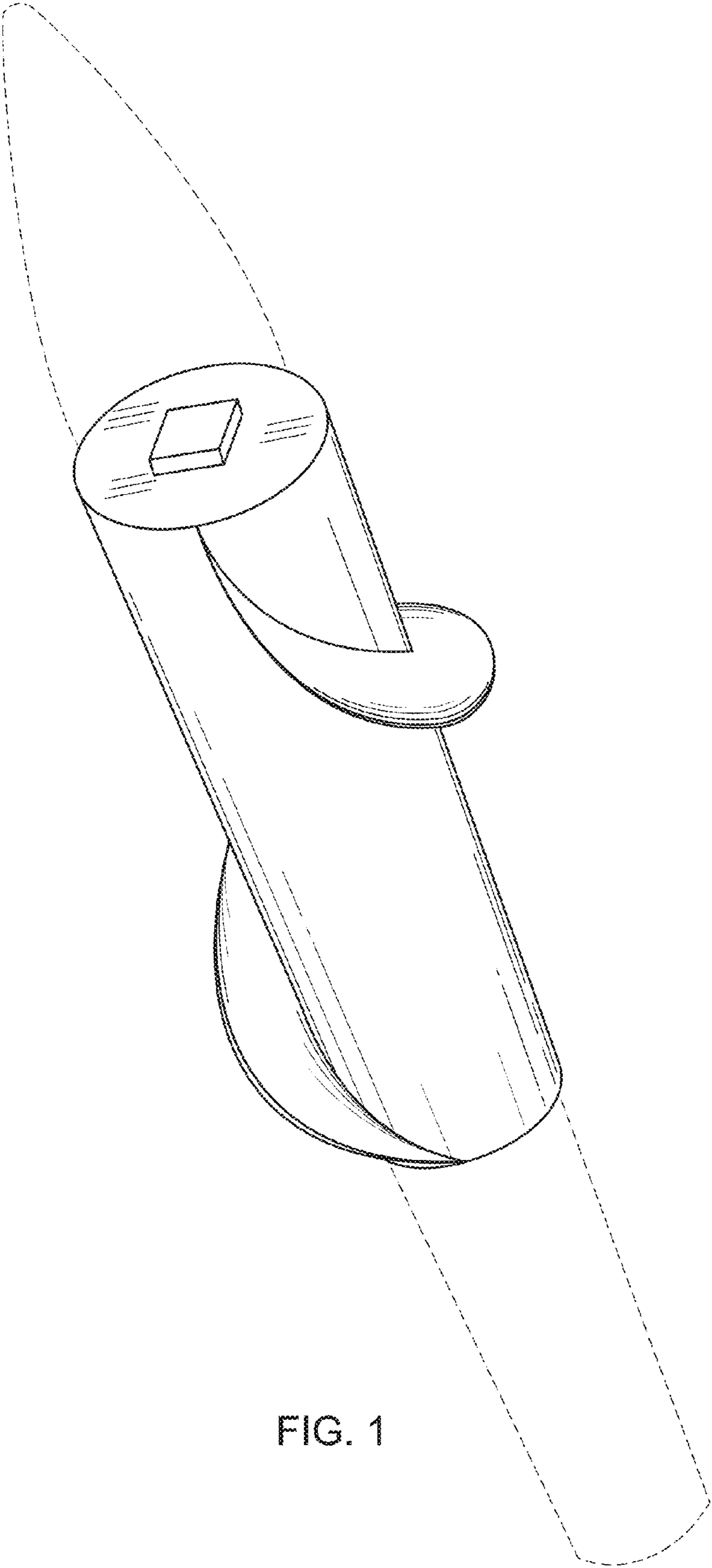


FIG. 1

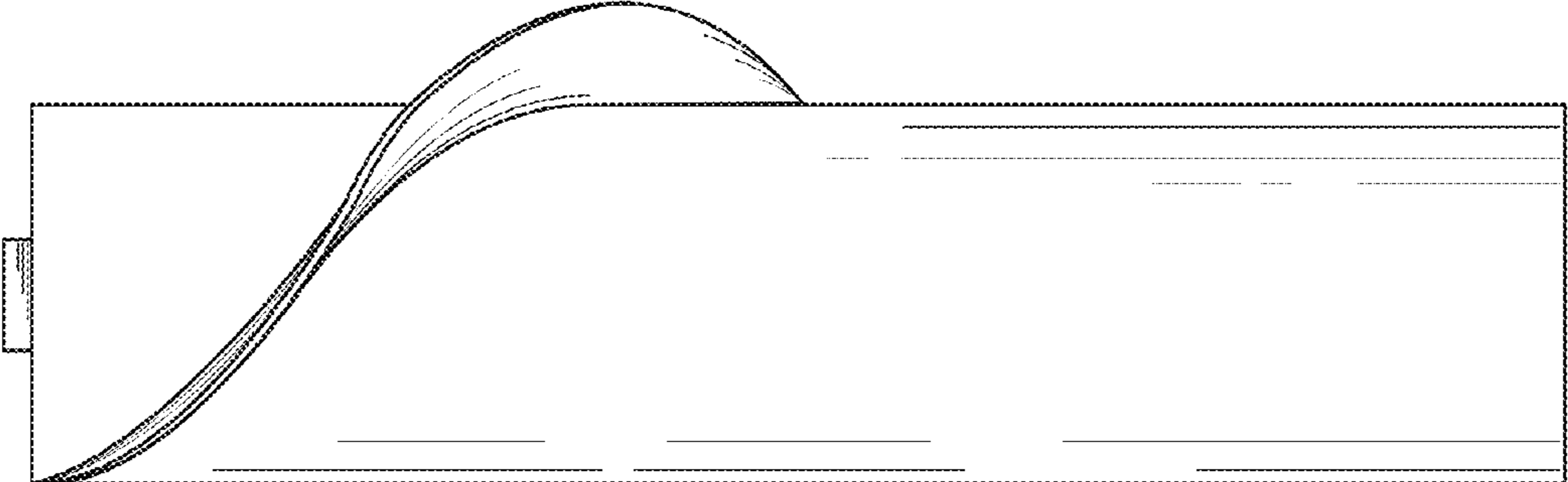


FIG. 4

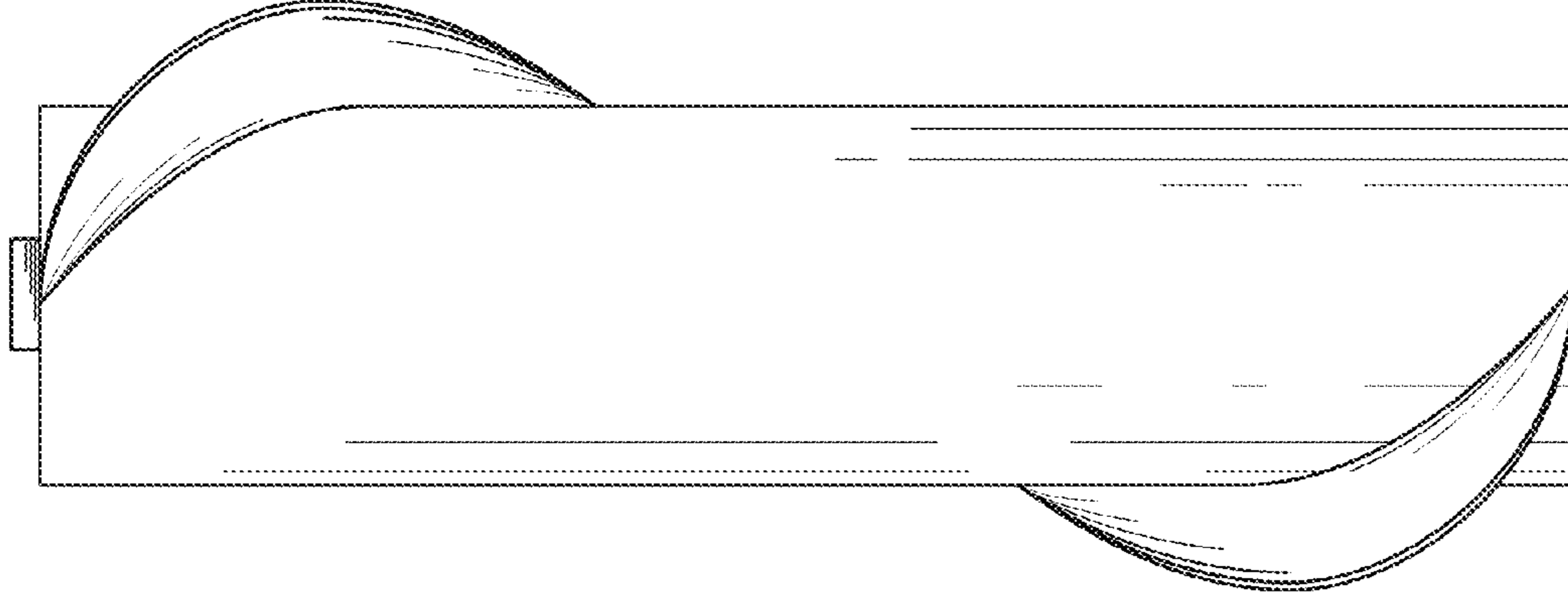


FIG. 3

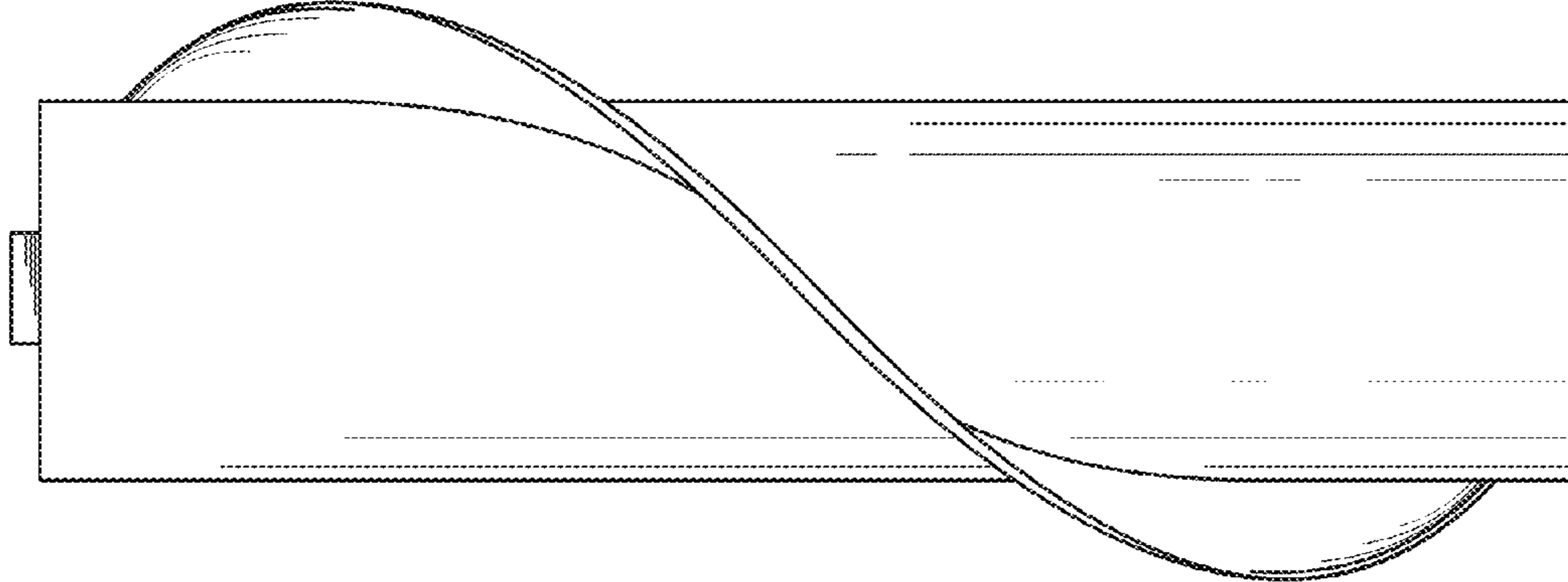


FIG. 2

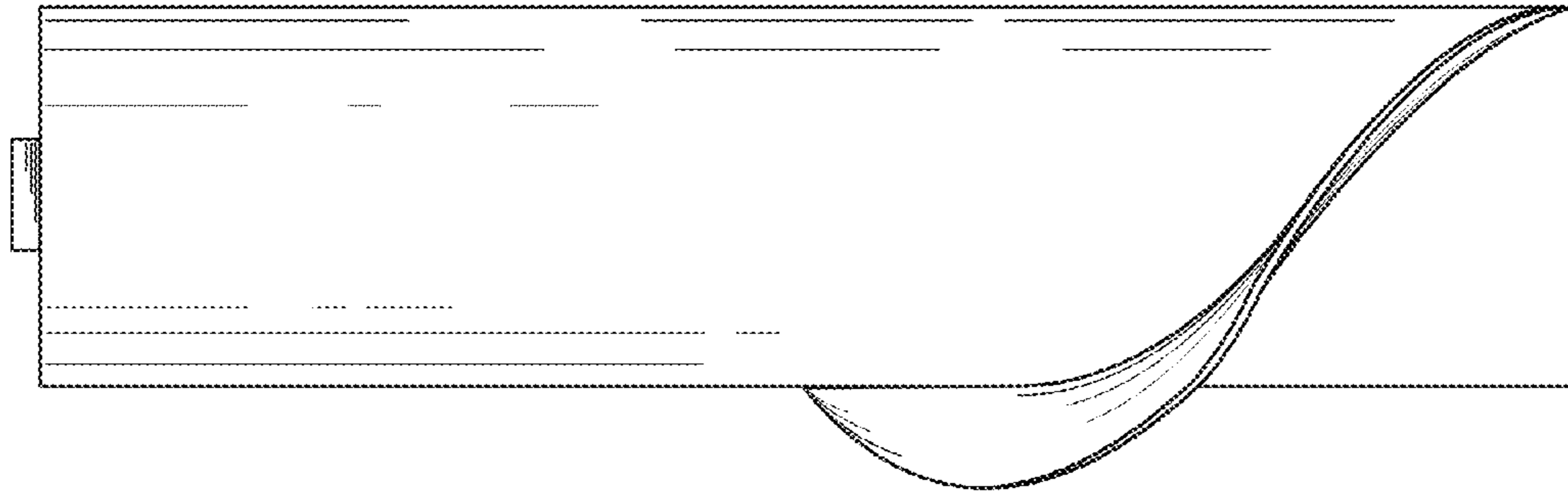


FIG. 5

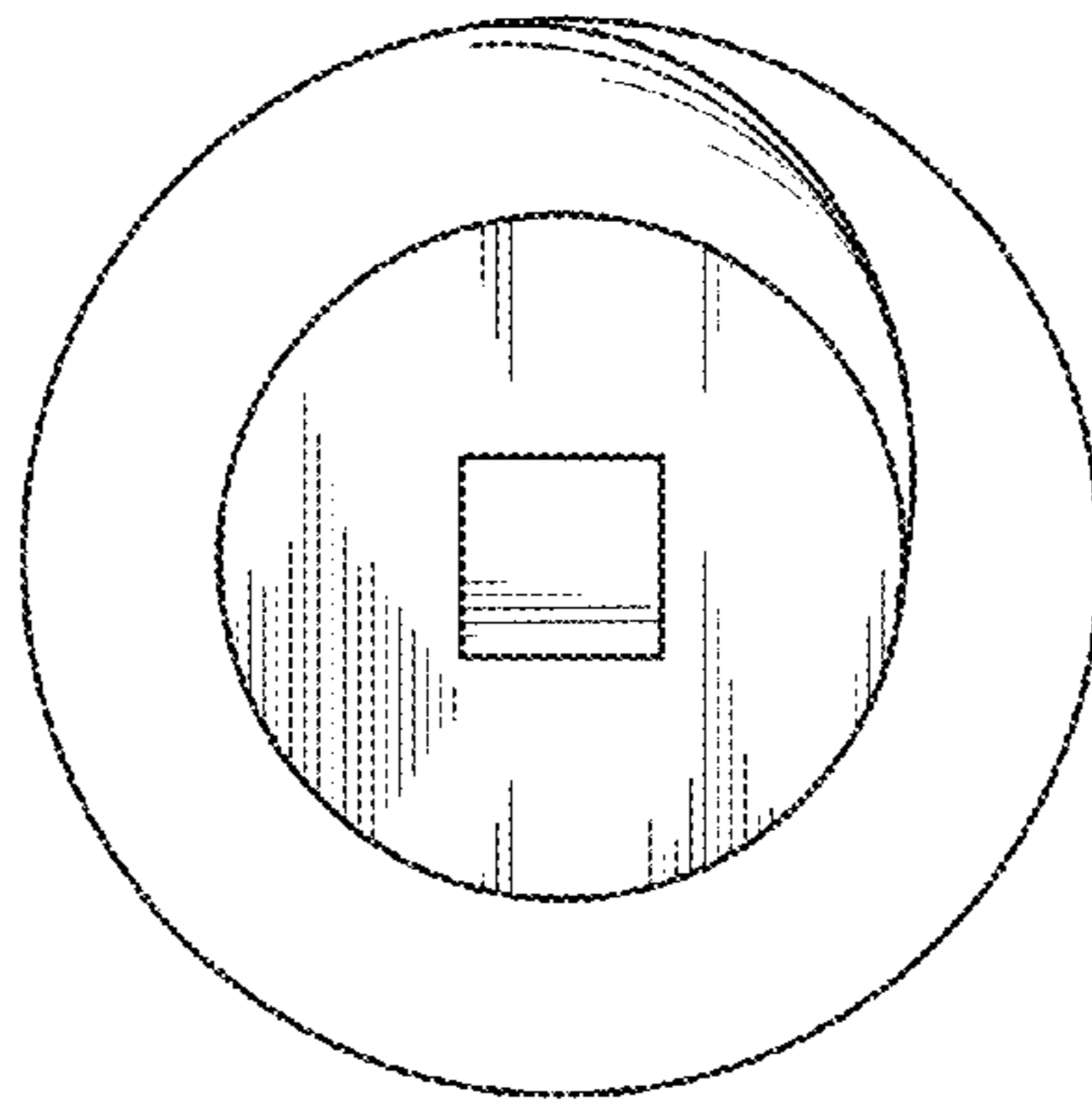


FIG. 6

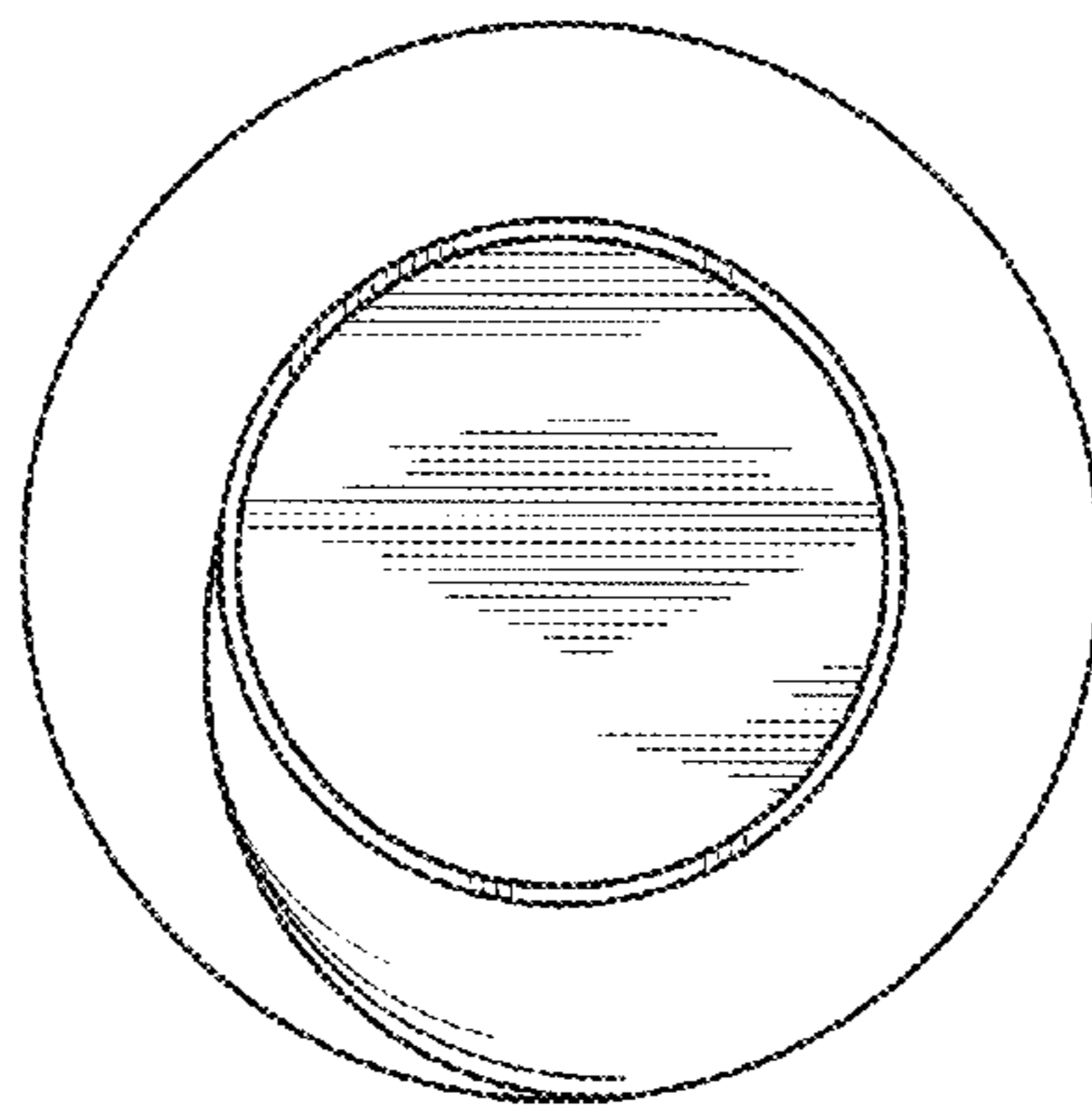


FIG. 7