



US00D729893S

(12) **United States Design Patent**
Foster

(10) **Patent No.:** **US D729,893 S**

(45) **Date of Patent:** **** May 19, 2015**

(54) **FIREARM**

(71) Applicant: **David Foster**, Columbus, IN (US)

(72) Inventor: **David Foster**, Columbus, IN (US)

(73) Assignee: **FOSTECH MFG LLC**, Seymour, IN (US)

(**) Term: **14 Years**

(21) Appl. No.: **29/481,402**

(22) Filed: **Feb. 5, 2014**

(51) **LOC (10) Cl.** **22-01**

(52) **U.S. Cl.**
USPC **D22/103**

(58) **Field of Classification Search**
CPC F41C 7/00; F41C 7/11; F41C 7/12
USPC D22/103, 108; D21/572-575; 42/51,
42/71.01, 75.01, 75.02, 90, 94, 134, 136,
42/139, 125, 72, 111; 89/40.06, 41.19,
89/37.04, 33.04, 191.01, 200-204;
124/67, 66, 72, 74

See application file for complete search history.

(56) **References Cited**

U.S. PATENT DOCUMENTS

7,832,326	B1 *	11/2010	Barrett	89/191.01
7,938,055	B2 *	5/2011	Hochstrate et al.	89/193
8,051,595	B2 *	11/2011	Hochstrate et al.	42/75.01
8,230,634	B1 *	7/2012	Davies et al.	42/75.02
8,342,075	B2 *	1/2013	Gomez	89/191.01
D680,611	S *	4/2013	Emde et al.	D22/103
D693,420	S	11/2013	Abbott et al.	
D702,793	S *	4/2014	Burt et al.	D22/103
D709,581	S *	7/2014	Langevin et al.	D22/108
D719,234	S *	12/2014	Hochstrate	D22/103
2011/0214327	A1 *	9/2011	Desomma	42/75.02

2012/0111183	A1 *	5/2012	Hochstrate et al.	89/193
2012/0137562	A1 *	6/2012	Langevin et al.	42/75.03
2012/0152104	A1 *	6/2012	Audibert et al.	89/191.01
2012/0167424	A1 *	7/2012	Gomez	42/14
2013/0068089	A1 *	3/2013	Brown	89/193

* cited by examiner

Primary Examiner — Michael A Pratt

(74) *Attorney, Agent, or Firm* — Roberts IP Law; John Roberts

(57) **CLAIM**

The ornamental design for a firearm, as shown.

DESCRIPTION

FIG. 1 is a right-side/front perspective view of the firearm of the present invention, showing one embodiment of my new design.

FIG. 2 is a right-side/rear perspective view of the firearm of FIG. 1.

FIG. 3 is right elevation of the firearm of FIG. 1.

FIG. 4 is a left elevation of the firearm of FIG. 1.

FIG. 5 is rear elevation of the firearm of FIG. 1.

FIG. 6 is a front elevation of the firearm of FIG. 1.

FIG. 7 is top plan view of the firearm of FIG. 1.

FIG. 8 is a bottom plan view of the firearm of FIG. 1.

FIG. 9 is an alternate right-side/front perspective view of the firearm of FIG. 1.

FIG. 10 is an alternate right-side/rear perspective view of the firearm of FIG. 1.

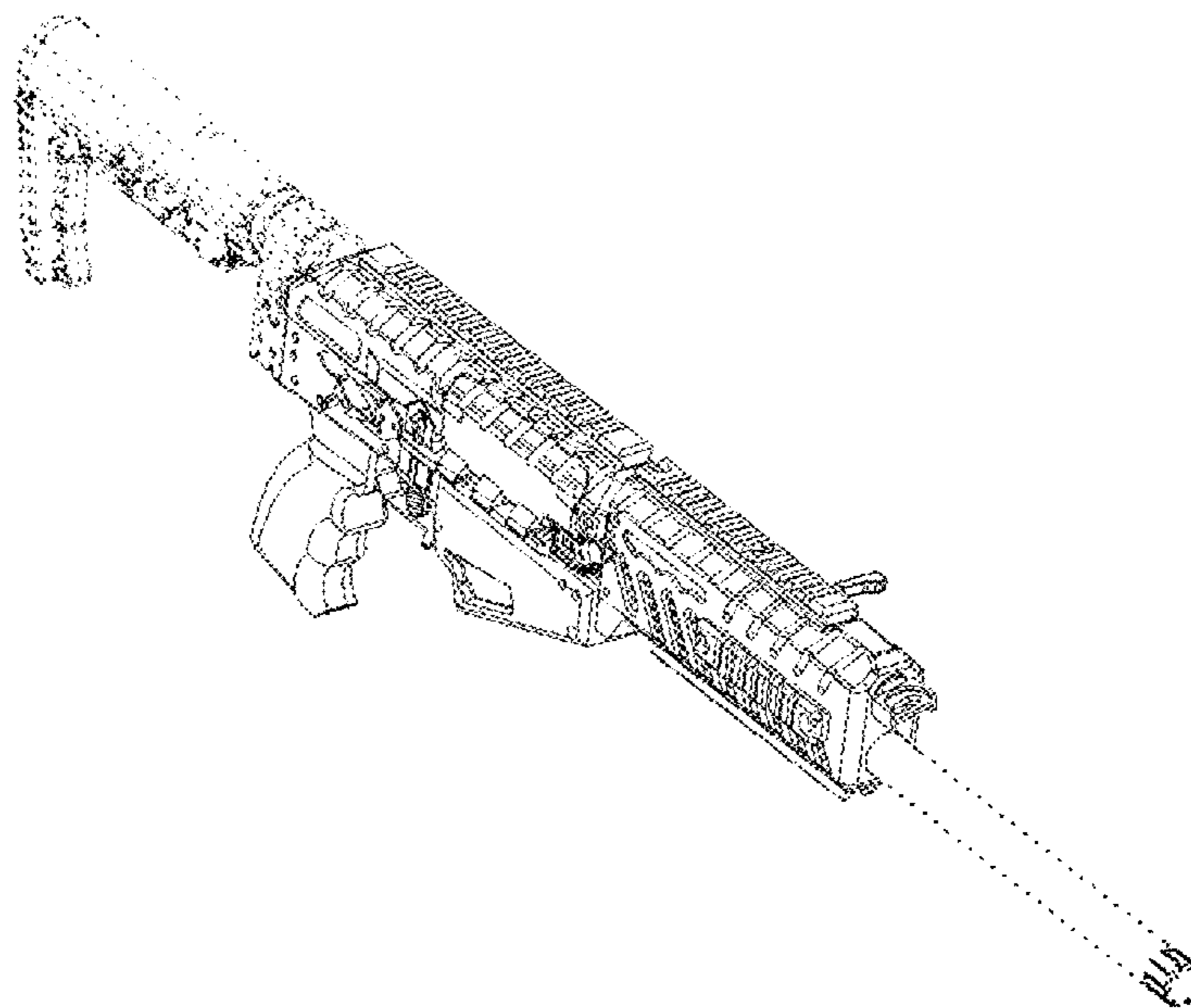
FIG. 11 is a left-side/front perspective view of the firearm of FIG. 1.

FIG. 12 is a left-side/rear perspective view of the firearm of FIG. 1.

FIG. 13 is an alternate left-side/front perspective view of the firearm of FIG. 1; and,

FIG. 14 is an alternate left-side/rear perspective view of the firearm of FIG. 1.

1 Claim, 6 Drawing Sheets



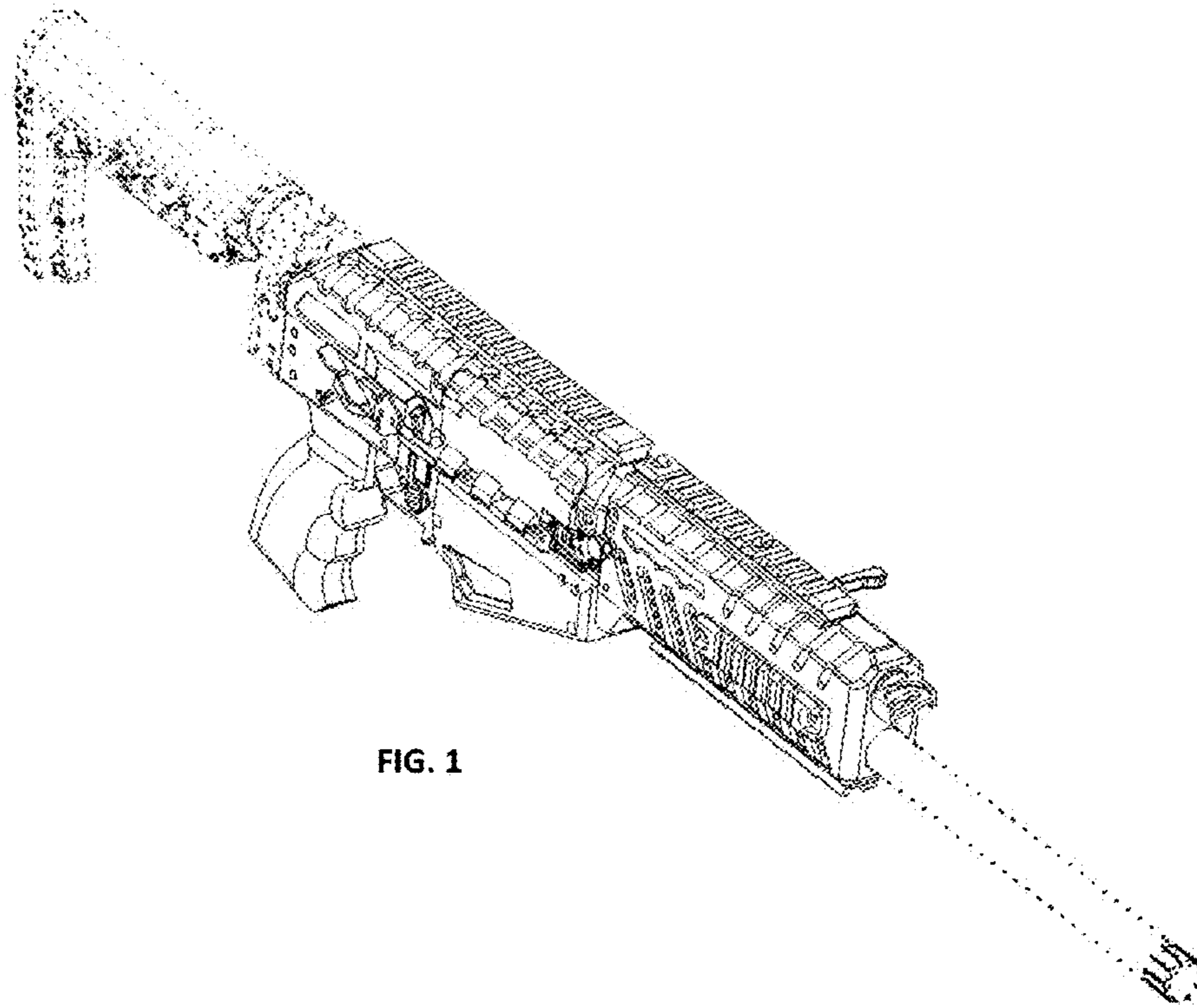


FIG. 1

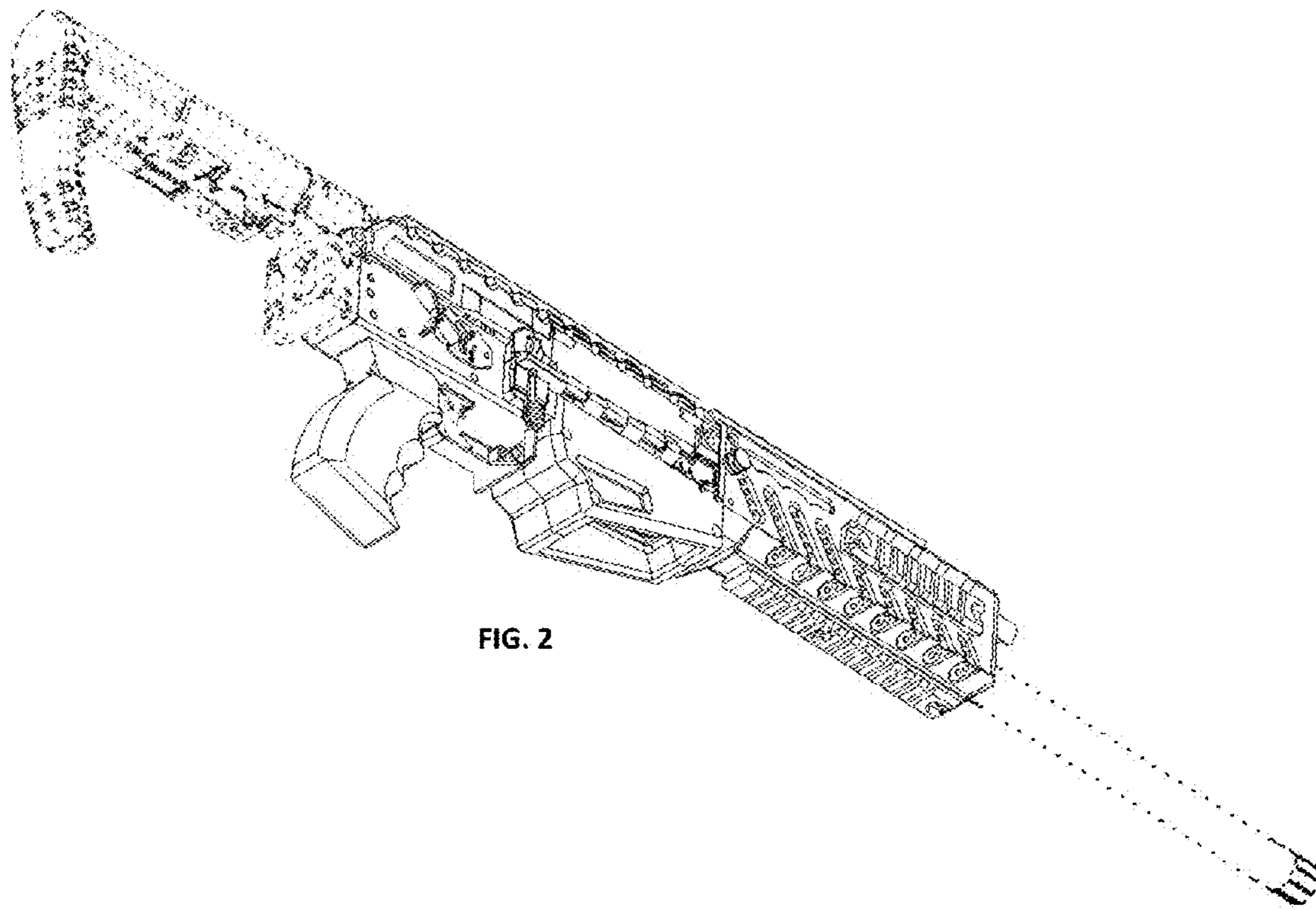


FIG. 2

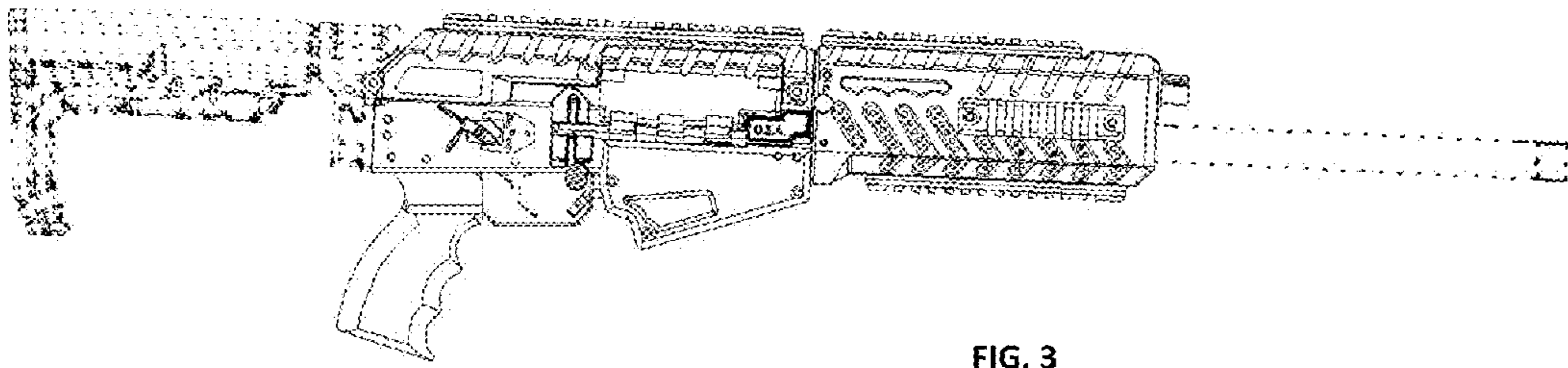


FIG. 3

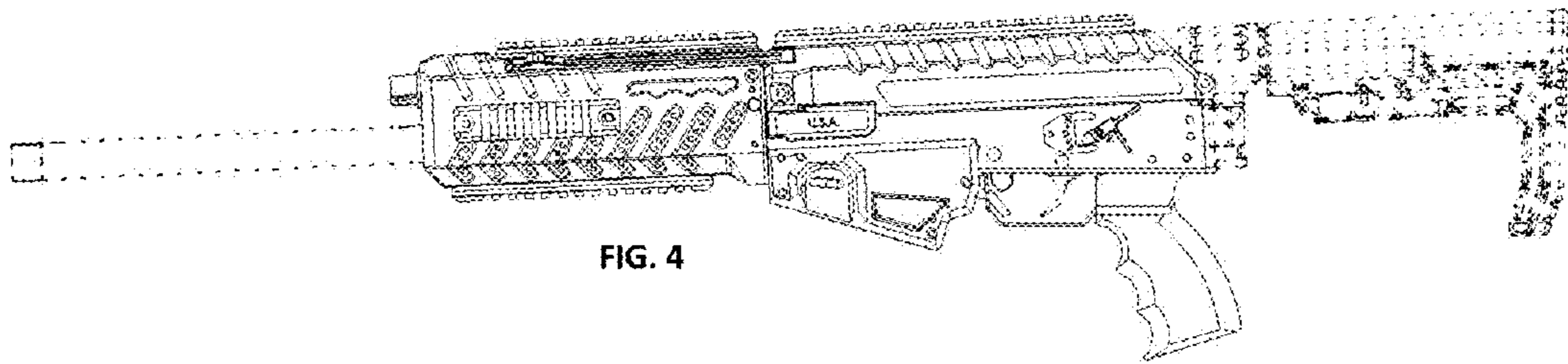


FIG. 4

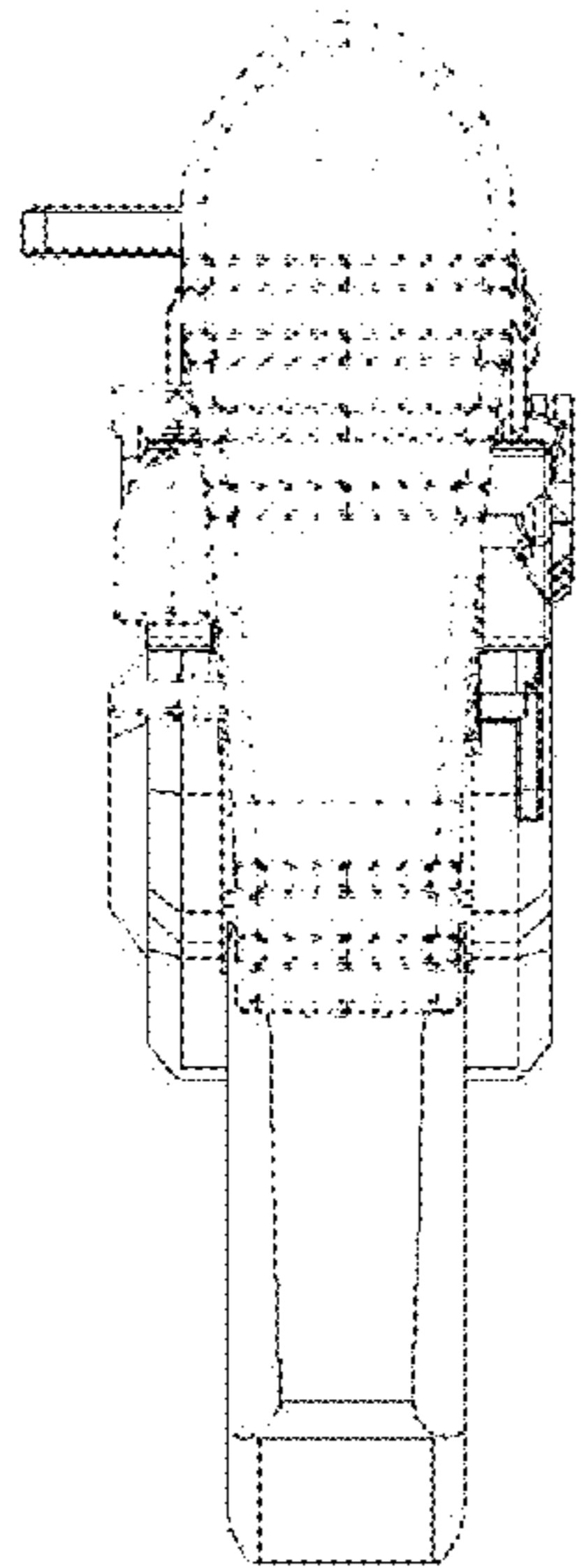


FIG. 5

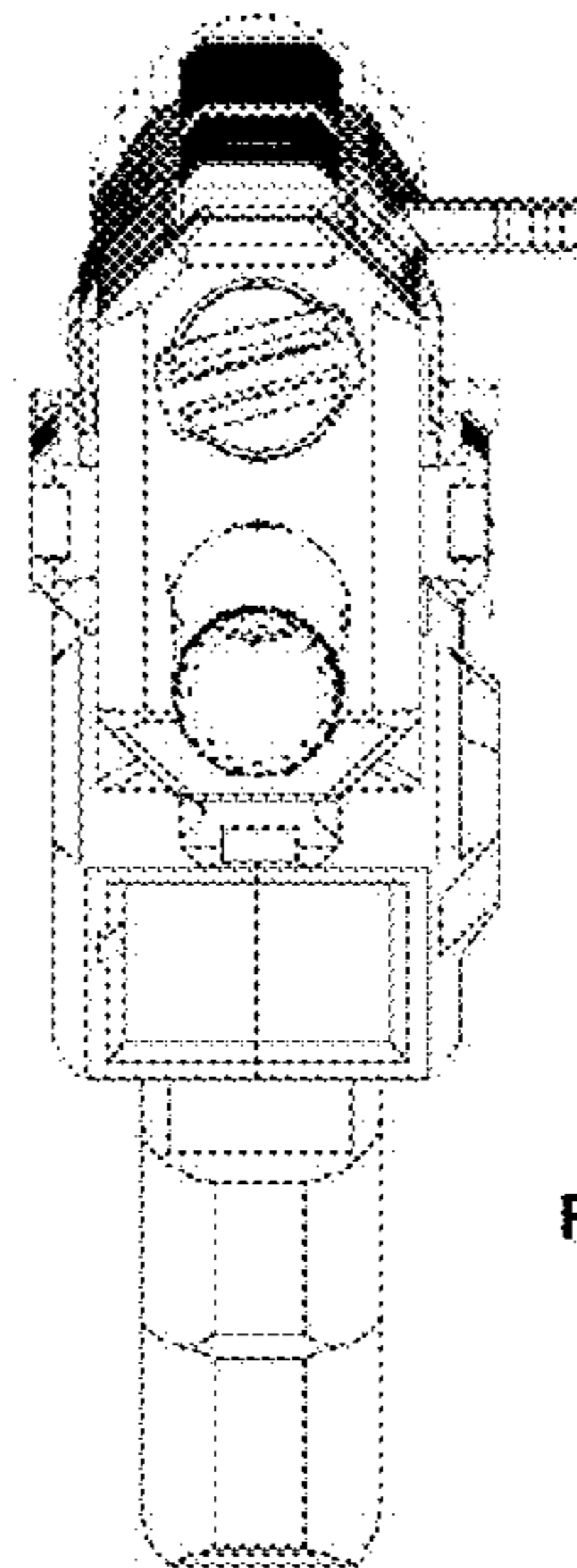


FIG. 6

FIG. 7

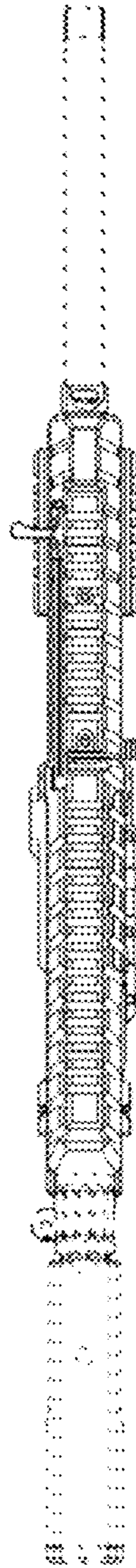
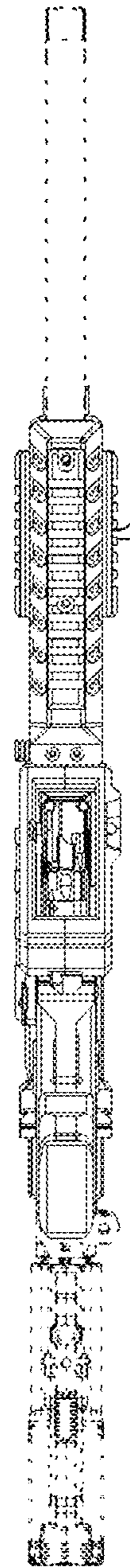


FIG. 8



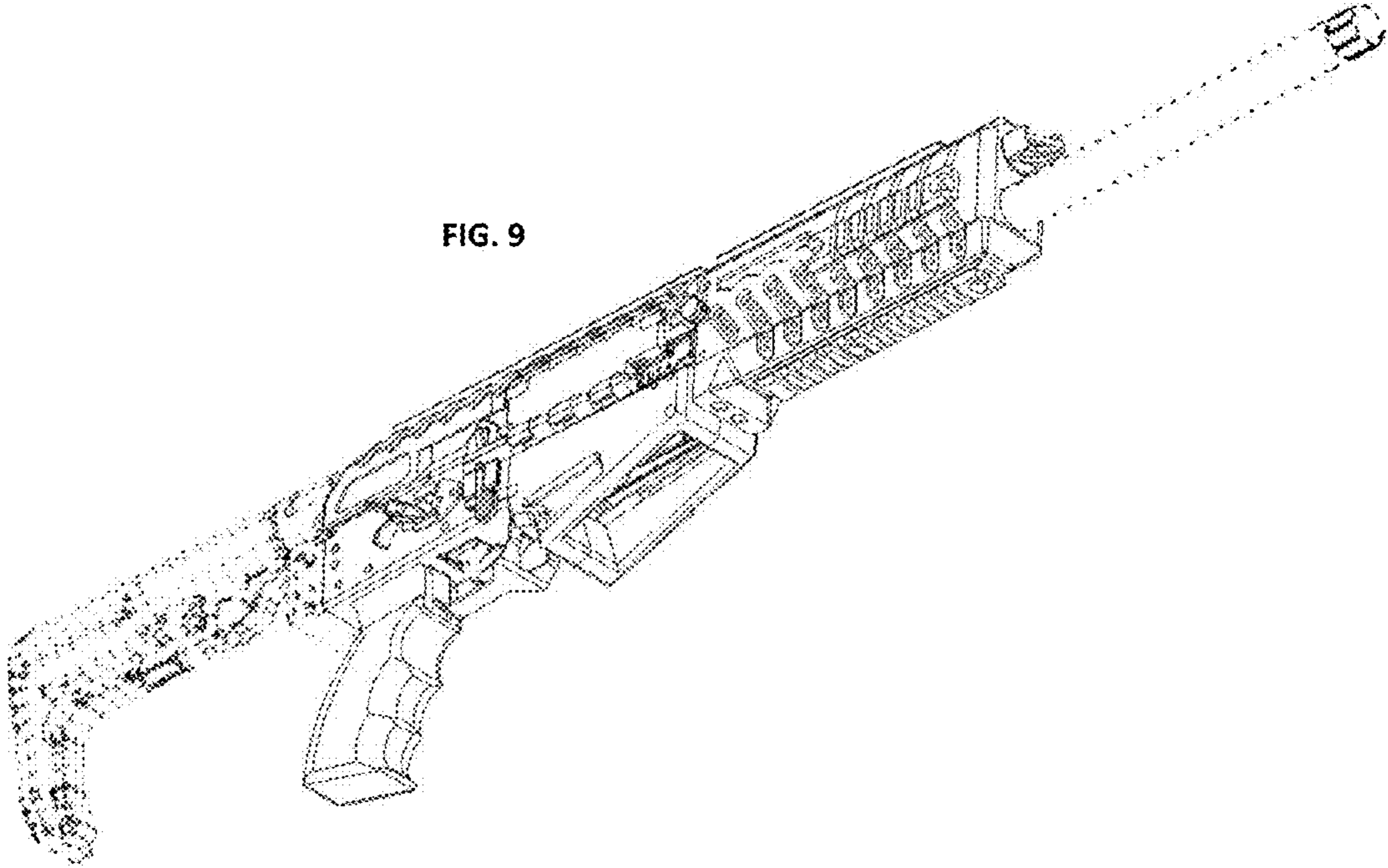


FIG. 9

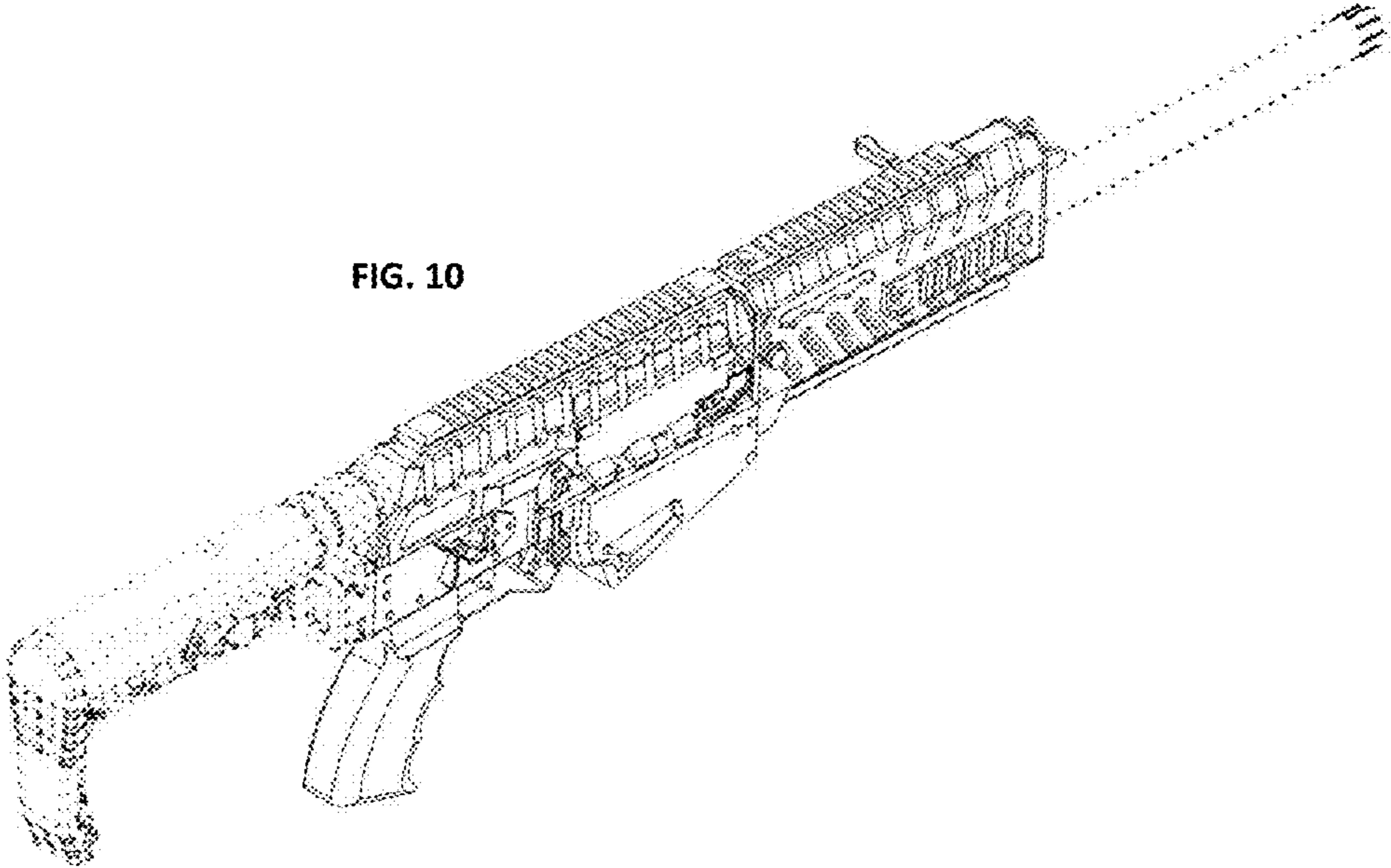


FIG. 10

FIG. 11

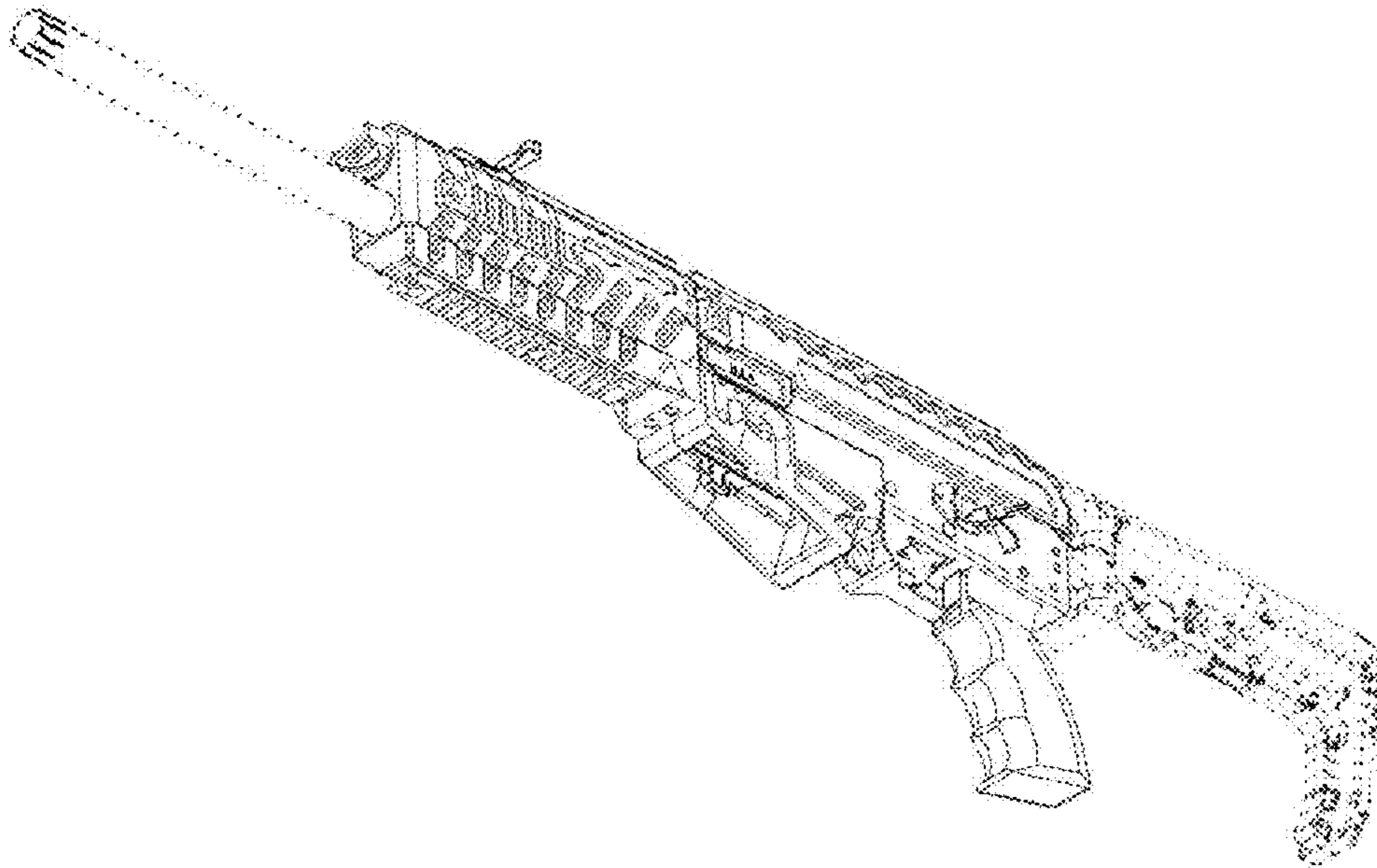


FIG. 12

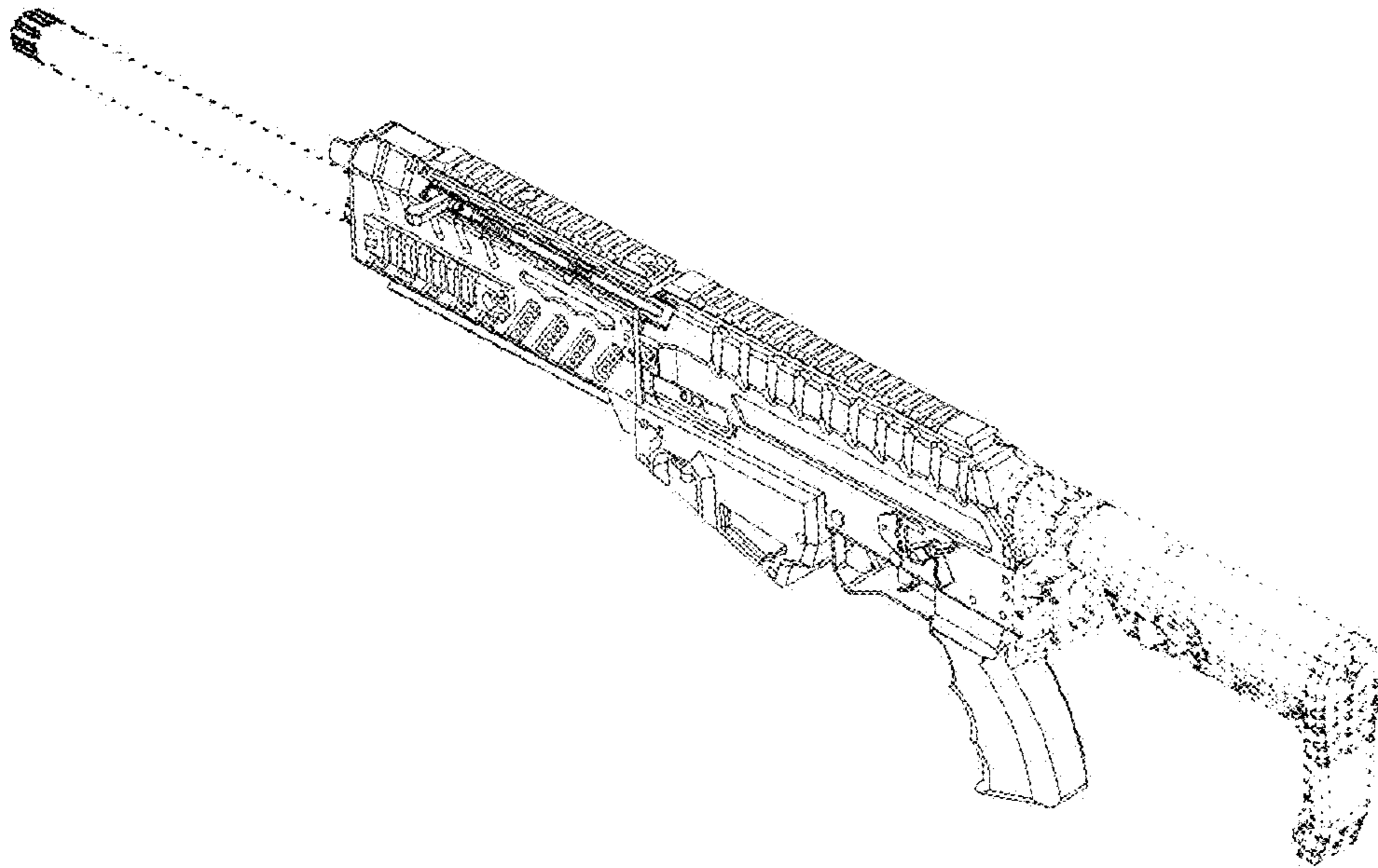


FIG. 13

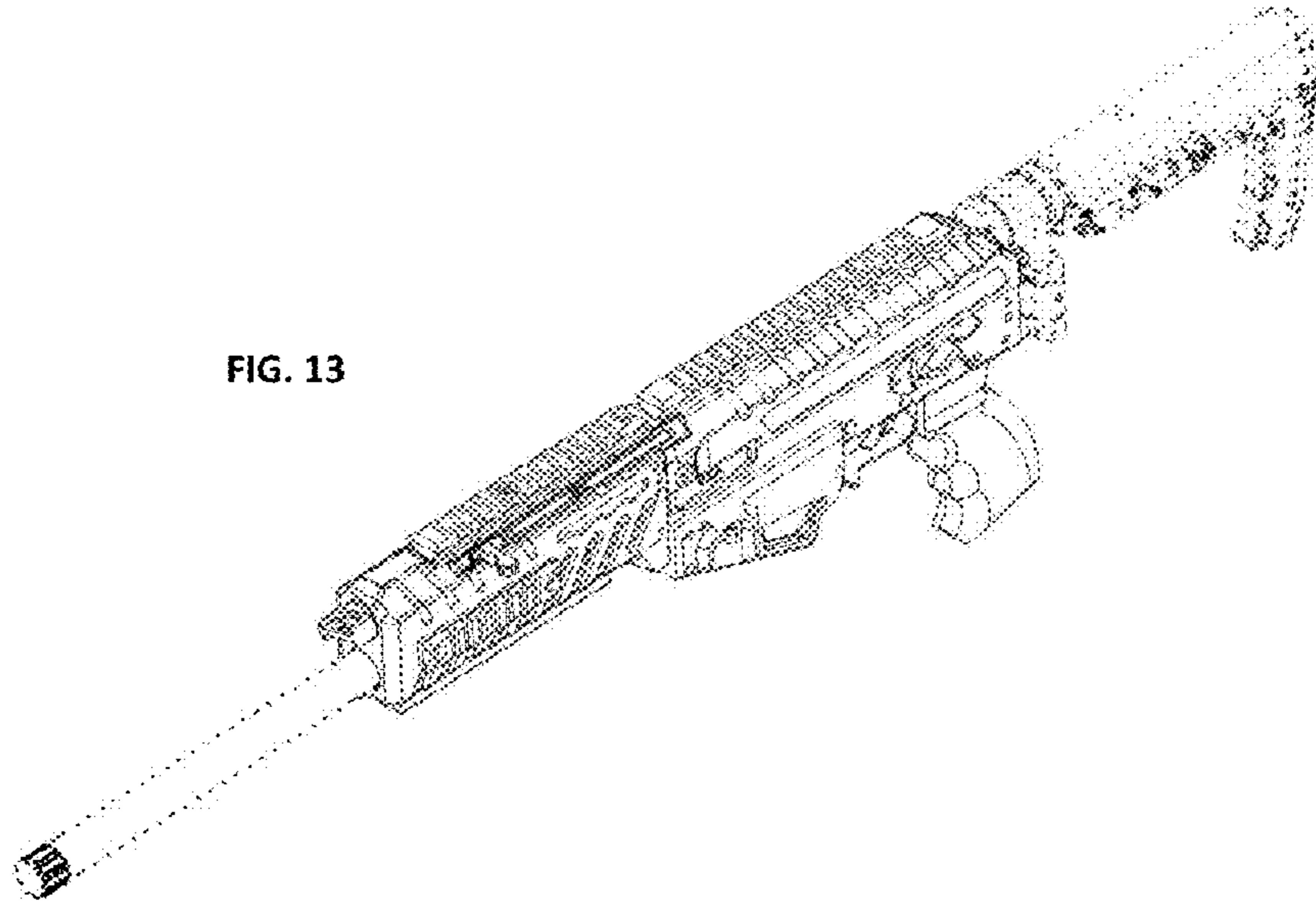


FIG. 14

