



US00D729887S

(12) **United States Design Patent**
Zeng

(10) **Patent No.:** **US D729,887 S**

(45) **Date of Patent:** **** May 19, 2015**

(54) **EXERCISE MACHINE**

(71) Applicant: **Guang'an Zeng**, Guangdong (CN)

(72) Inventor: **Guang'an Zeng**, Guangdong (CN)

(**) Term: **14 Years**

(21) Appl. No.: **29/452,090**

(22) Filed: **Apr. 11, 2013**

(51) **LOC (10) Cl.** **21-02**

(52) **U.S. Cl.**
USPC **D21/687**; D21/686

(58) **Field of Classification Search**
CPC A63B 26/00; A63B 71/00
USPC D21/662, 674-676, 687, 686; 482/95,
482/96, 101, 130-133, 140
See application file for complete search history.

(56) **References Cited**

U.S. PATENT DOCUMENTS

D425,585	S *	5/2000	Wu	D21/676
6,440,045	B1 *	8/2002	Gaston	482/140
7,232,404	B2 *	6/2007	Nelson	482/140
D567,312	S *	4/2008	Tsai	D21/688
7,662,076	B1 *	2/2010	Ho	482/130
D631,519	S *	1/2011	Chen	D21/689

7,878,957	B1 *	2/2011	Chen	482/140
8,052,583	B1 *	11/2011	Tsai	482/96
D659,777	S *	5/2012	Watterson et al.	D21/689
D671,177	S *	11/2012	Sip	D21/689
D702,299	S *	4/2014	Ho et al.	D21/686
D705,367	S *	5/2014	Ho et al.	D21/687
2008/0207415	A1 *	8/2008	Tsai	482/147

* cited by examiner

Primary Examiner — Phillip S Hyder

(74) *Attorney, Agent, or Firm* — Tim Tingkang Xia, Esq.;
Morris, Manning & Martin, LLP

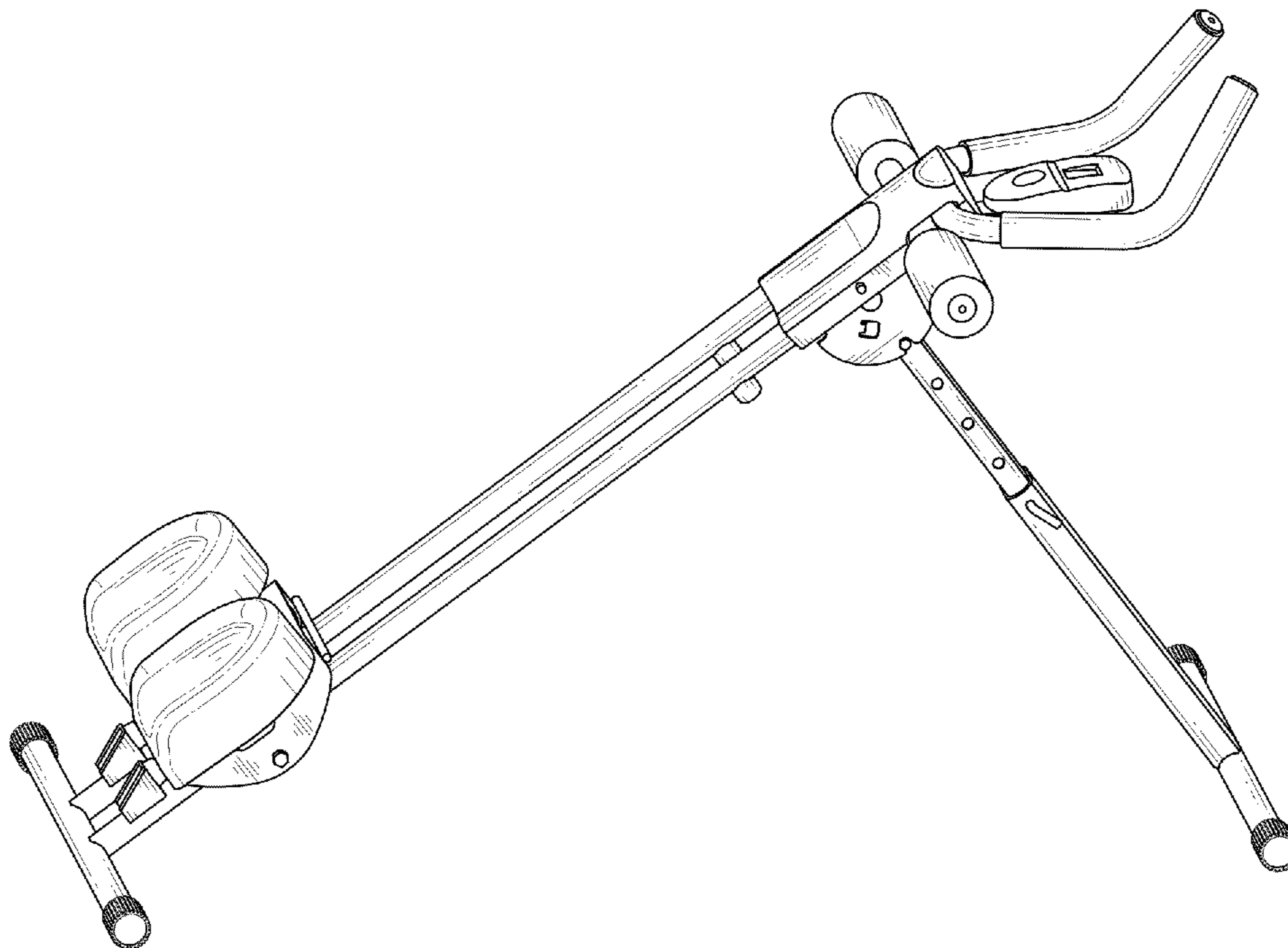
(57) **CLAIM**

The ornamental design for an “exercise machine,” as shown and described.

DESCRIPTION

FIG. 1 is a perspective view of an exercise machine showing my new design;
FIG. 2 is a front elevational view thereof;
FIG. 3 is a rear elevational view thereof;
FIG. 4 is a left side elevational view thereof;
FIG. 5 is a right side elevational view thereof;
FIG. 6 is a top plan view thereof; and,
FIG. 7 is a bottom plan view thereof.

1 Claim, 7 Drawing Sheets



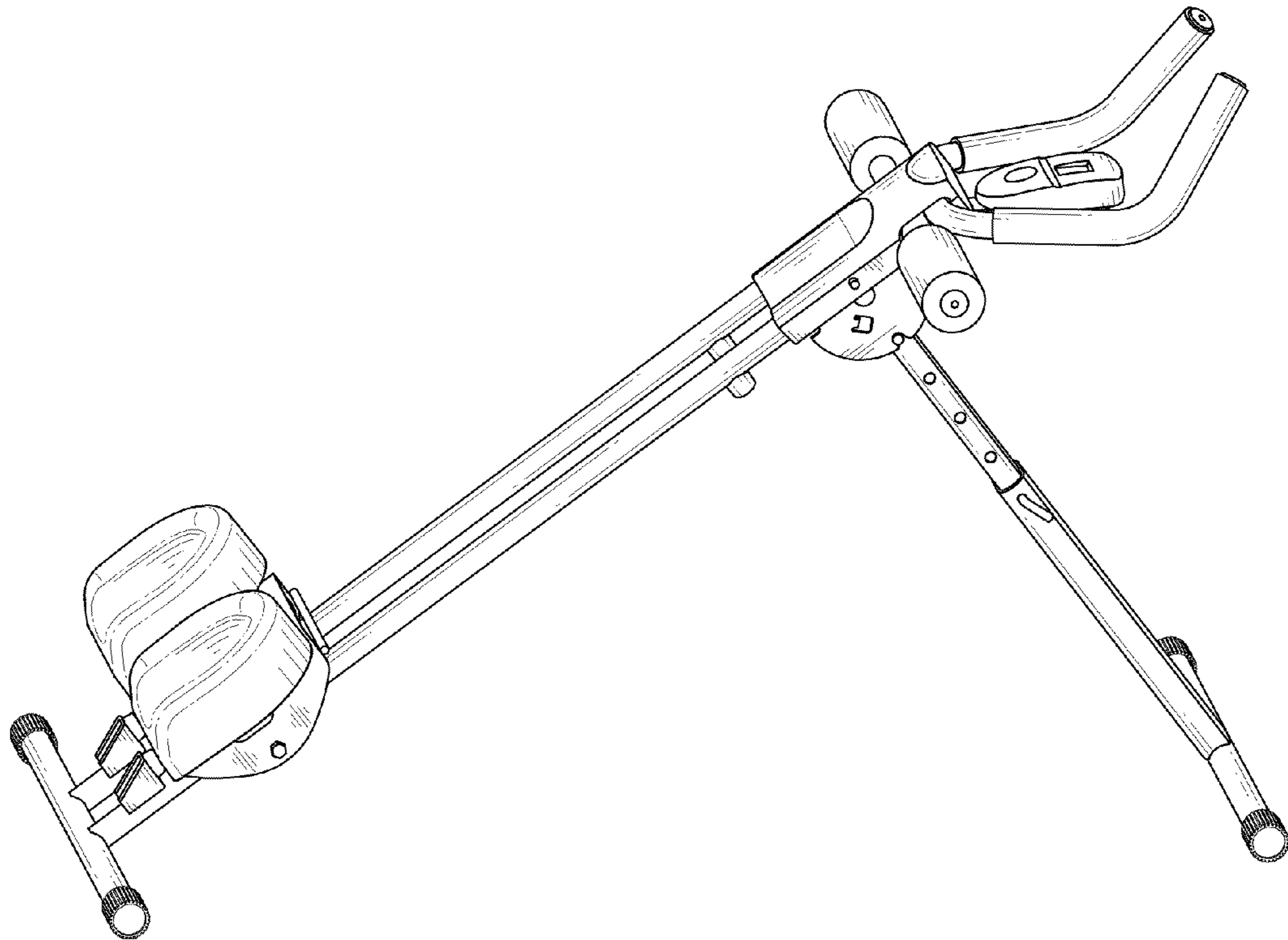


FIG. 1

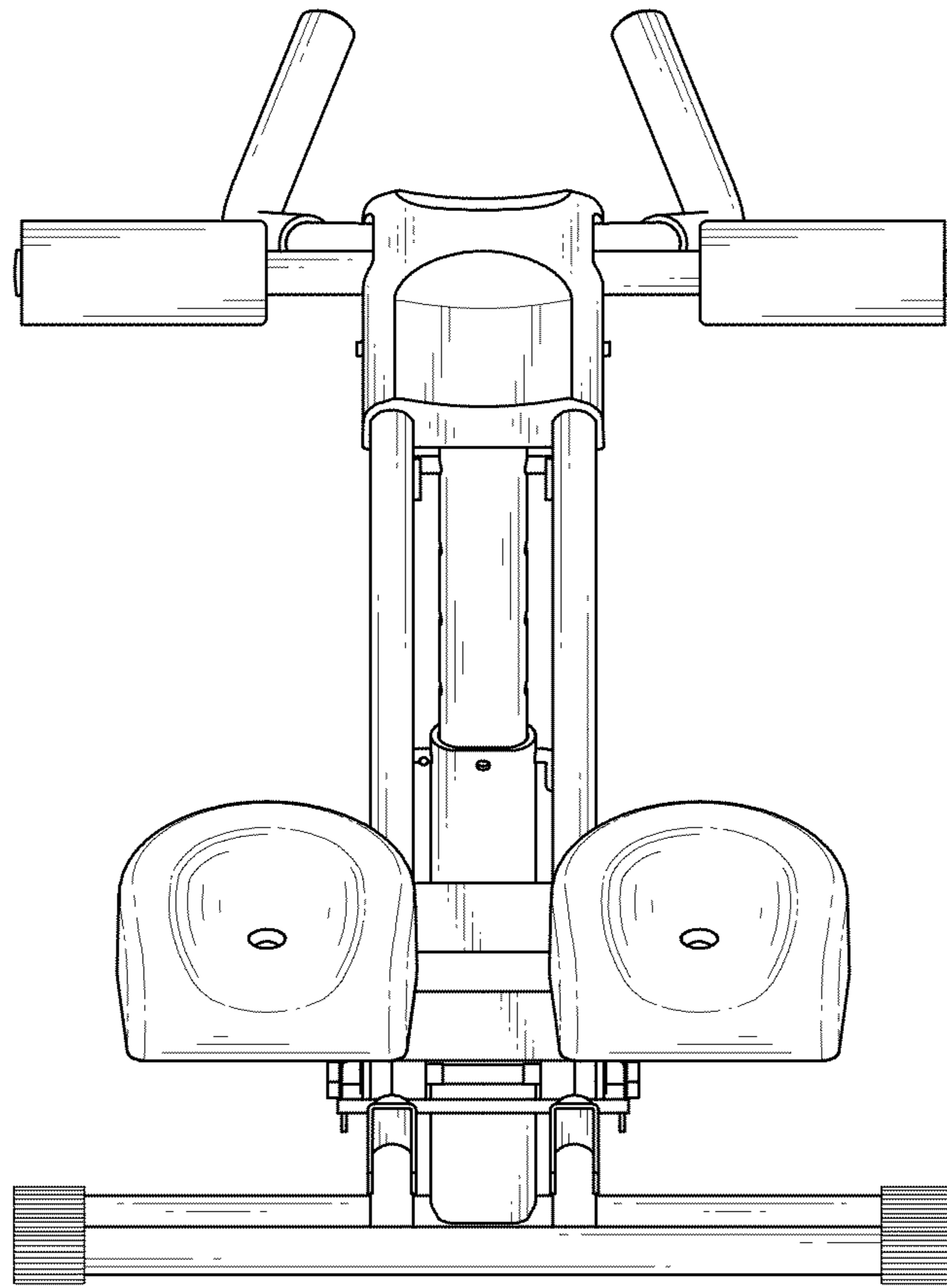


FIG. 2

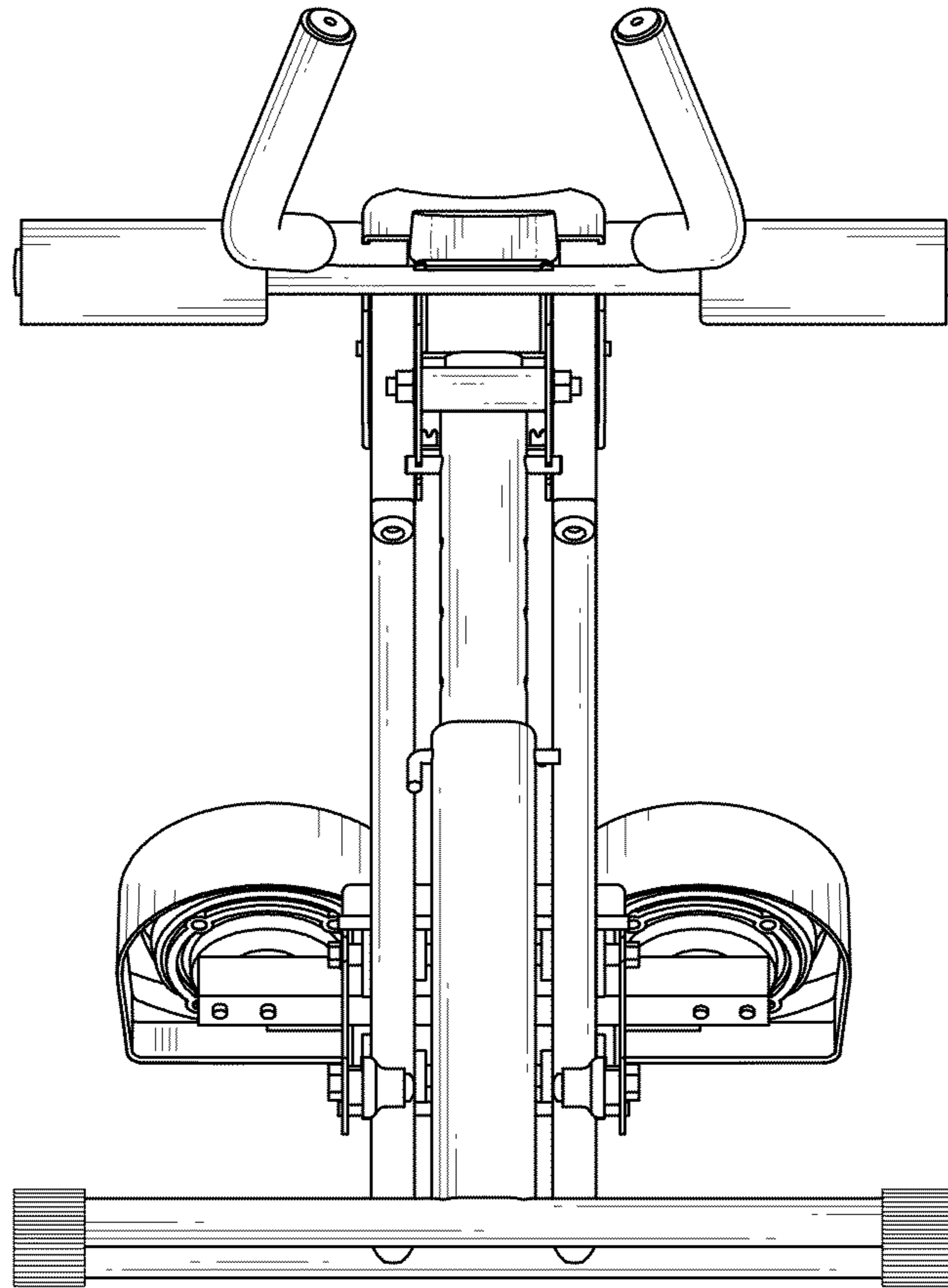


FIG. 3

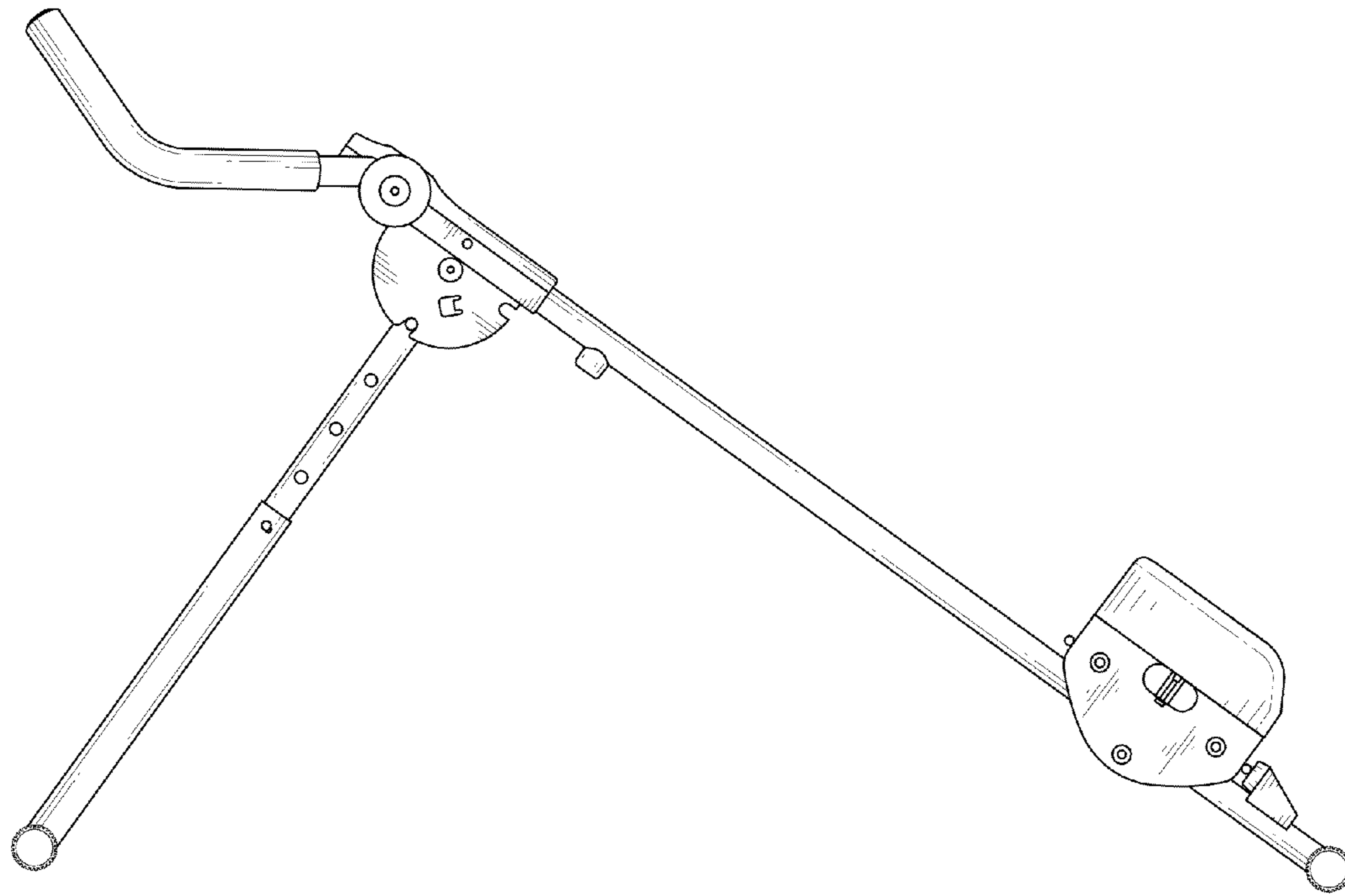


FIG. 4

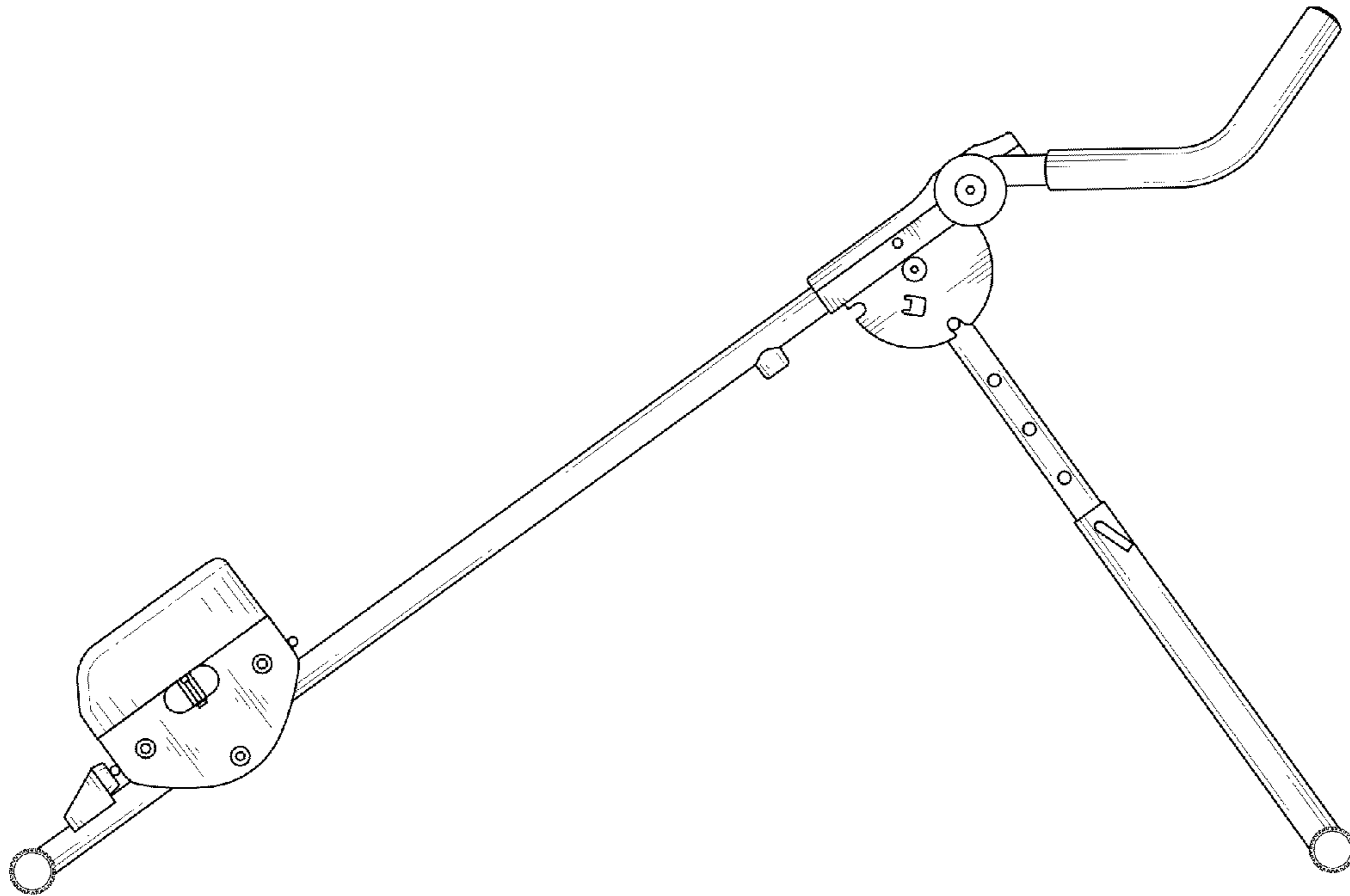


FIG. 5

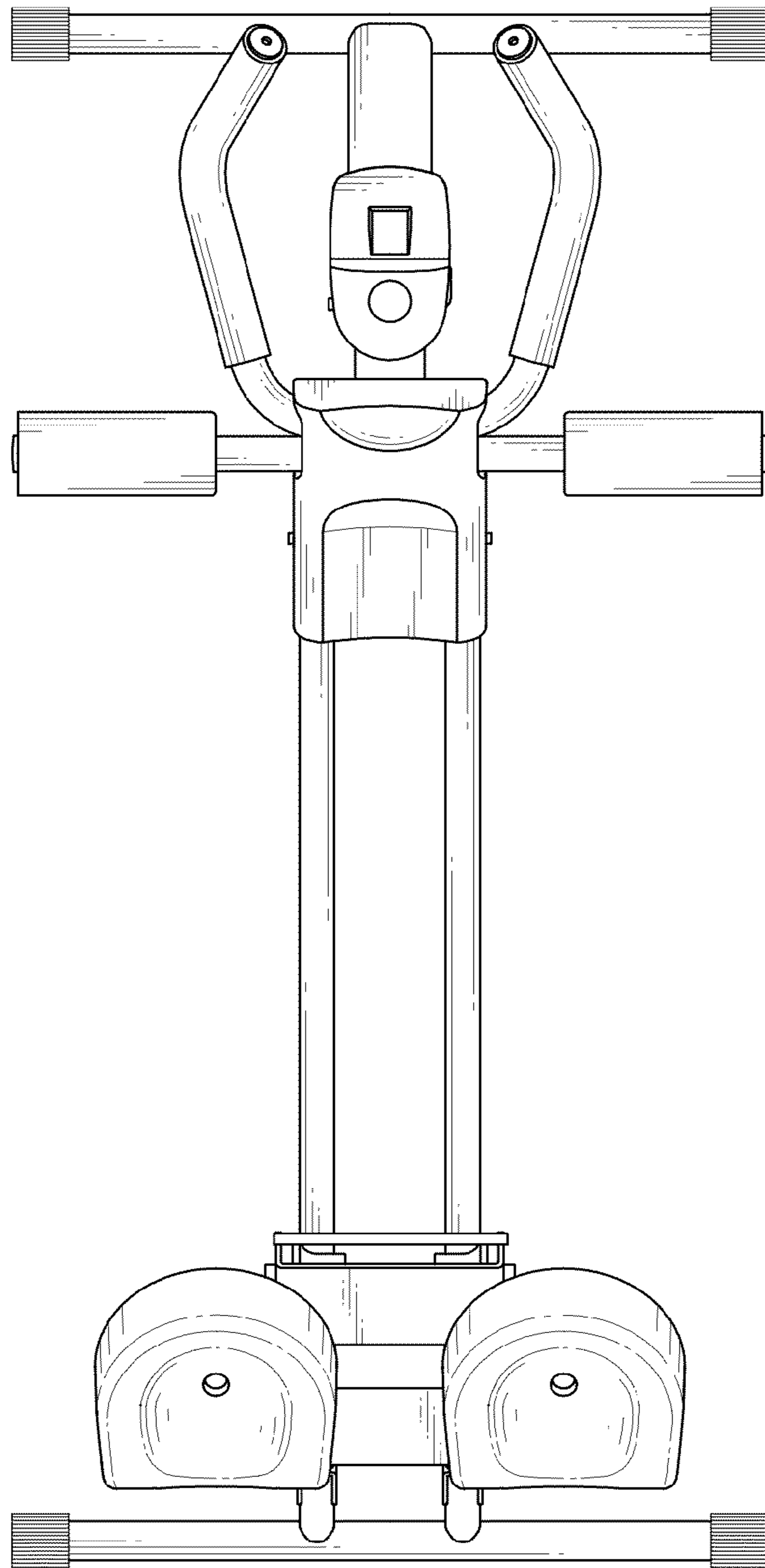


FIG. 6

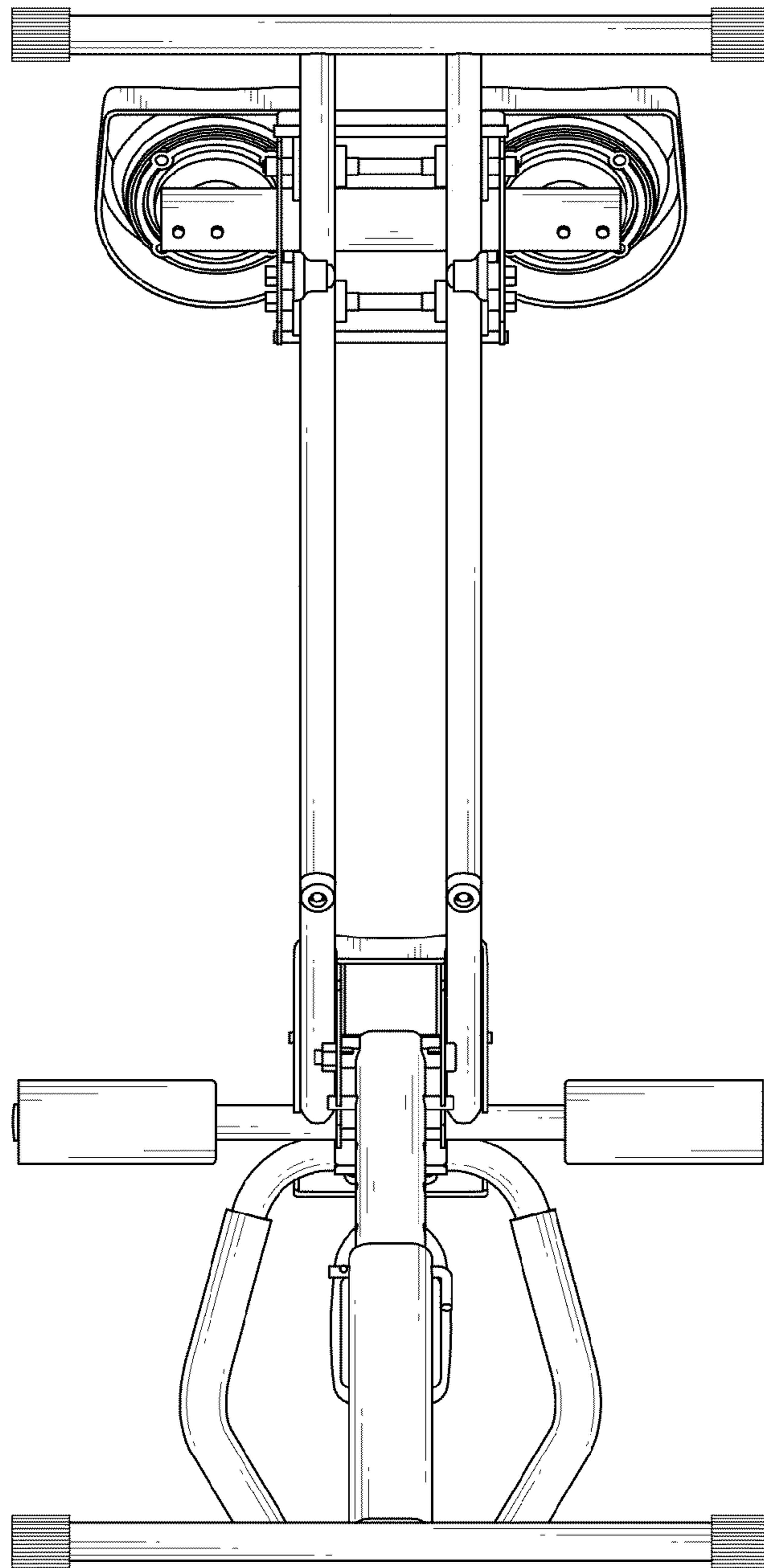


FIG. 7