



US00D729886S

(12) **United States Design Patent**  
**Wampler**

(10) **Patent No.:** **US D729,886 S**

(45) **Date of Patent:** **\*\* May 19, 2015**

(54) **ACHILLES TENDON STRETCHER WITH POSITION STABILIZERS**

(71) Applicant: **Elethia Vaughan Wampler**, Fairfax Station, VA (US)

(72) Inventor: **Elethia Vaughan Wampler**, Fairfax Station, VA (US)

(\*\*) Term: **14 Years**

(21) Appl. No.: **29/463,447**

(22) Filed: **Nov. 25, 2013**

(51) **LOC (10) Cl.** ..... **21-02**

(52) **U.S. Cl.**  
USPC ..... **D21/662**

(58) **Field of Classification Search**  
CPC ..... A63B 22/0087; A63B 21/023; A63B 21/0428; A63B 21/055; A63B 2208/0204; A63B 22/16; A63B 23/08; A63B 23/10; A63B 21/0004; A63B 2022/0033; A63B 2023/006; A63B 21/068; A63B 21/143; A61H 1/0266; A61H 15/00; A61H 2209/00  
USPC ..... D21/662, 685, 686, 688; 482/79, 91, 482/121, 142, 146; 5/655, 655.3  
See application file for complete search history.

(56) **References Cited**

**U.S. PATENT DOCUMENTS**

4,693,470	A *	9/1987	Ogawa	.....	482/79
D298,266	S *	10/1988	Reyneke	.....	D21/685
D312,359	S *	11/1990	Bradley	.....	D6/420
5,087,036	A *	2/1992	Cooper	.....	482/79
D332,184	S *	1/1993	Becker	.....	D6/397

5,851,166	A *	12/1998	Bernardson	.....	482/79
6,217,488	B1 *	4/2001	Bernardson	.....	482/79
6,244,992	B1 *	6/2001	James	.....	482/79
6,971,976	B2 *	12/2005	Endelman et al.	.....	482/121
7,011,612	B2 *	3/2006	Repking	.....	482/142
D629,852	S *	12/2010	Repac	.....	D21/662
8,360,940	B2 *	1/2013	Kole et al.	.....	482/121
D681,751	S *	5/2013	Meyer-Hayoz	.....	D21/686
D695,365	S *	12/2013	Ban	.....	D21/662
2008/0269026	A1 *	10/2008	Tsadok	.....	482/79
2010/0146708	A1 *	6/2010	Sakata et al.	.....	5/655.3
2012/0065030	A1 *	3/2012	Sandvig	.....	482/79
2013/0184126	A1 *	7/2013	Kole et al.	.....	482/79

\* cited by examiner

*Primary Examiner* — George D Kirschbaum

*Assistant Examiner* — Jennifer Watkins

(74) *Attorney, Agent, or Firm* — Sonya C. Harris; Invention Services

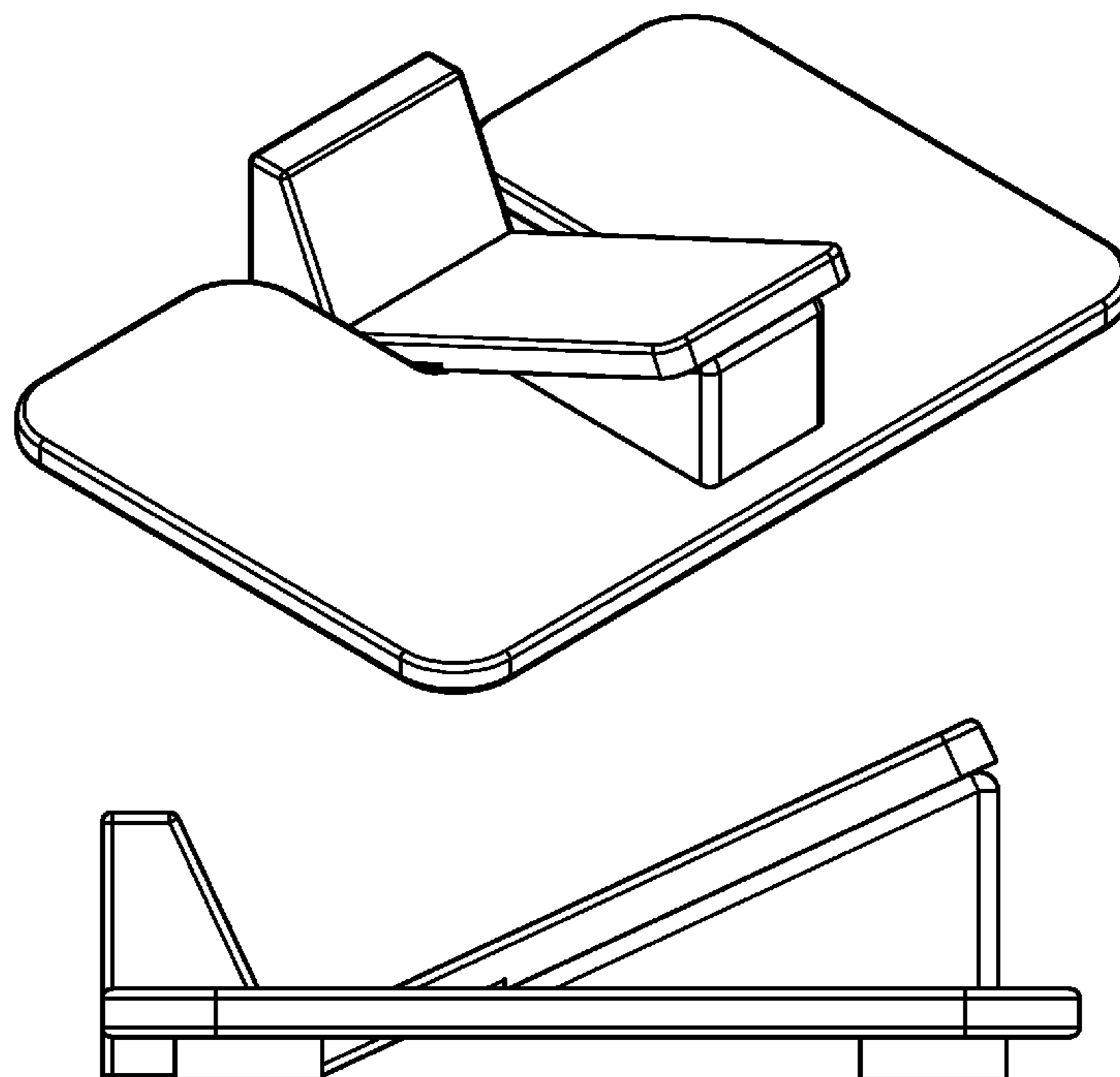
(57) **CLAIM**

The ornamental design for an Achilles tendon stretcher with position stabilizers, as shown and described.

**DESCRIPTION**

FIG. 1 is a top left front perspective view of my design;  
FIG. 2 is a top plan view of my design;  
FIG. 3 is a top right front perspective view of my design;  
FIG. 4 is a rear elevational view of my design;  
FIG. 5 is a left side elevational view of my design;  
FIG. 6 is a front elevational view of my design;  
FIG. 7 is a right side elevational view of my design;  
FIG. 8 is a bottom rear left perspective view of my design;  
FIG. 9 is a bottom plan view of my design; and,  
FIG. 10 is a bottom rear right perspective of my design.

**1 Claim, 8 Drawing Sheets**



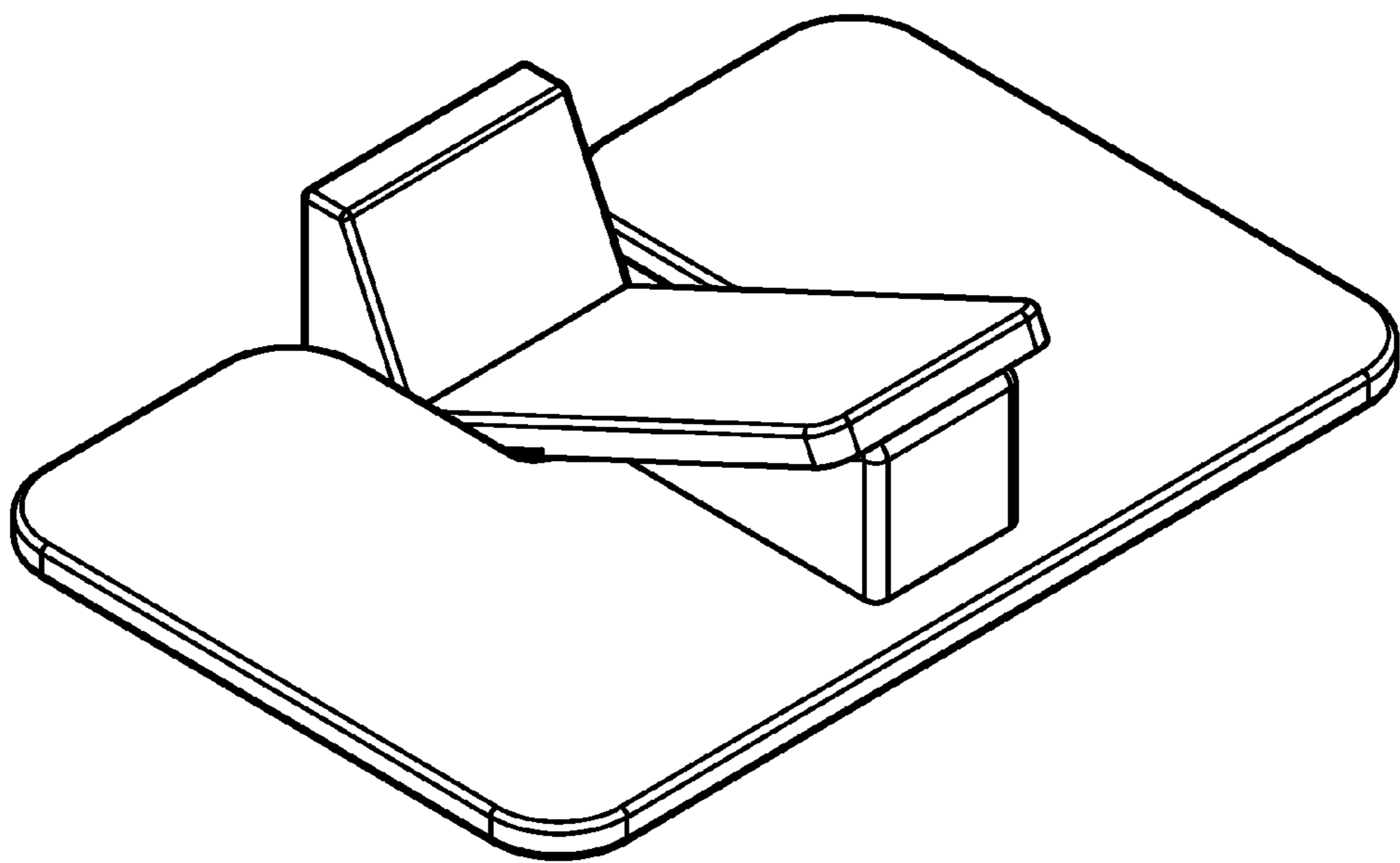


FIG. 1

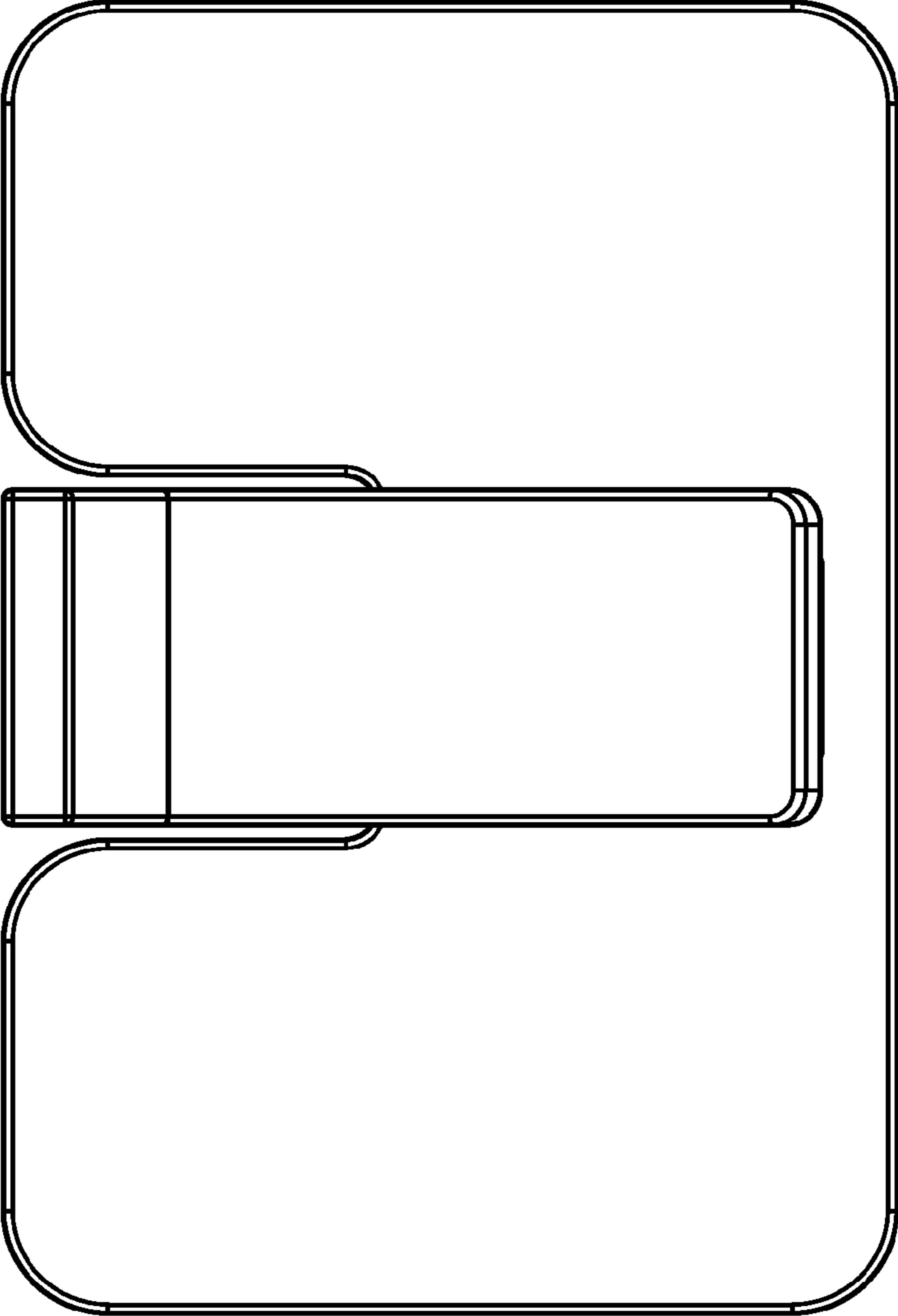


FIG. 2

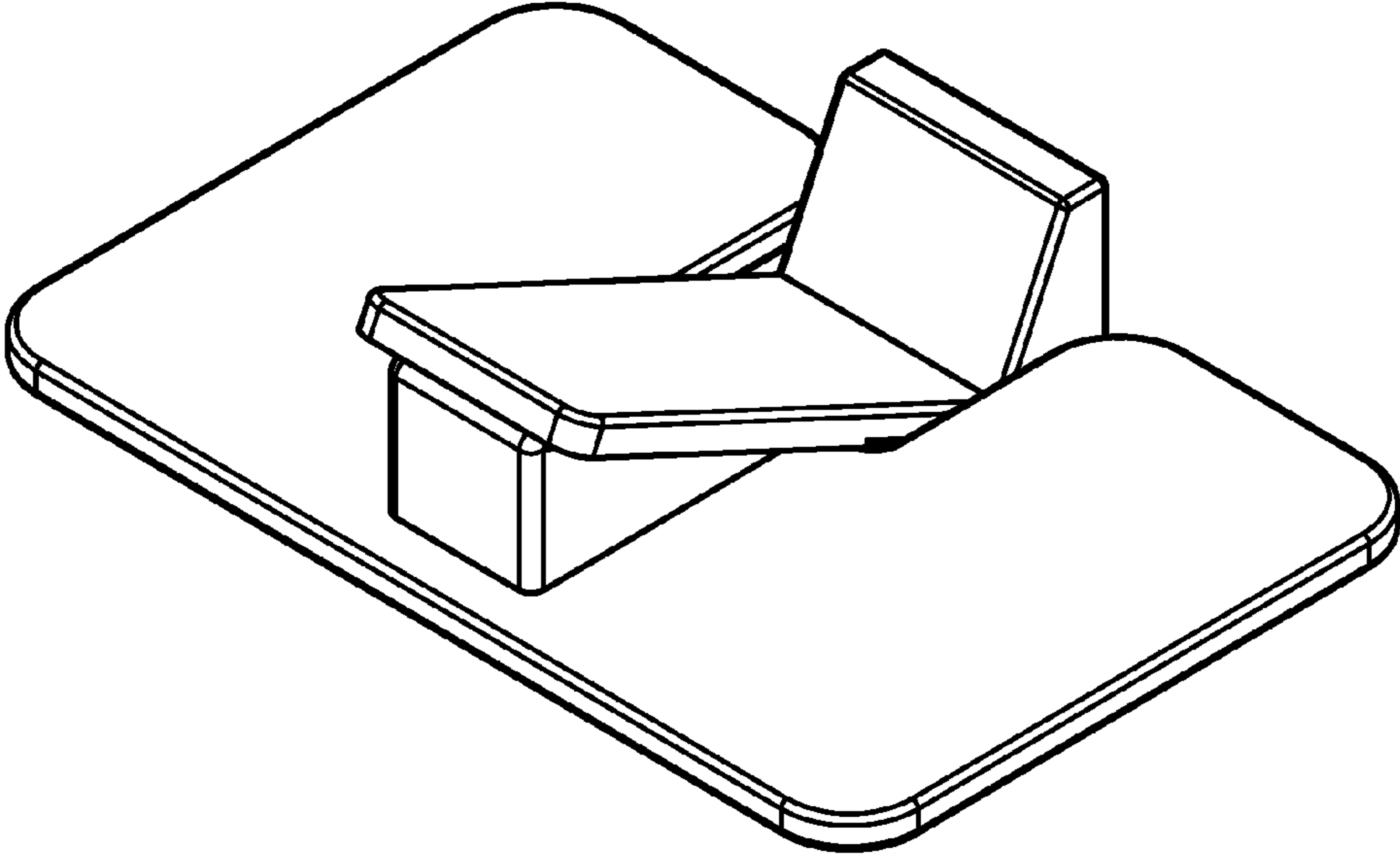


FIG. 3

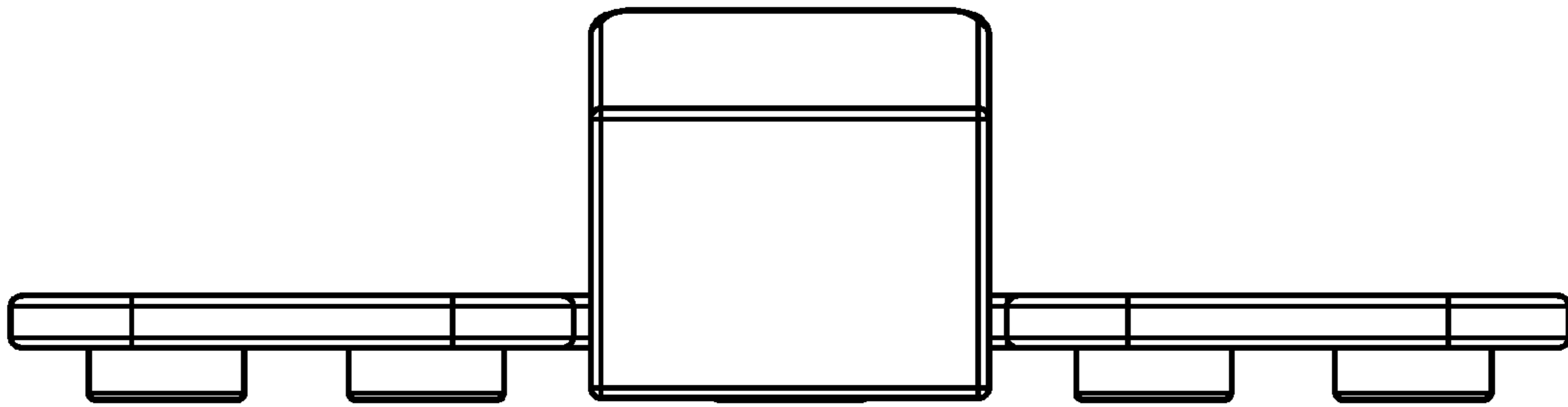


FIG. 4

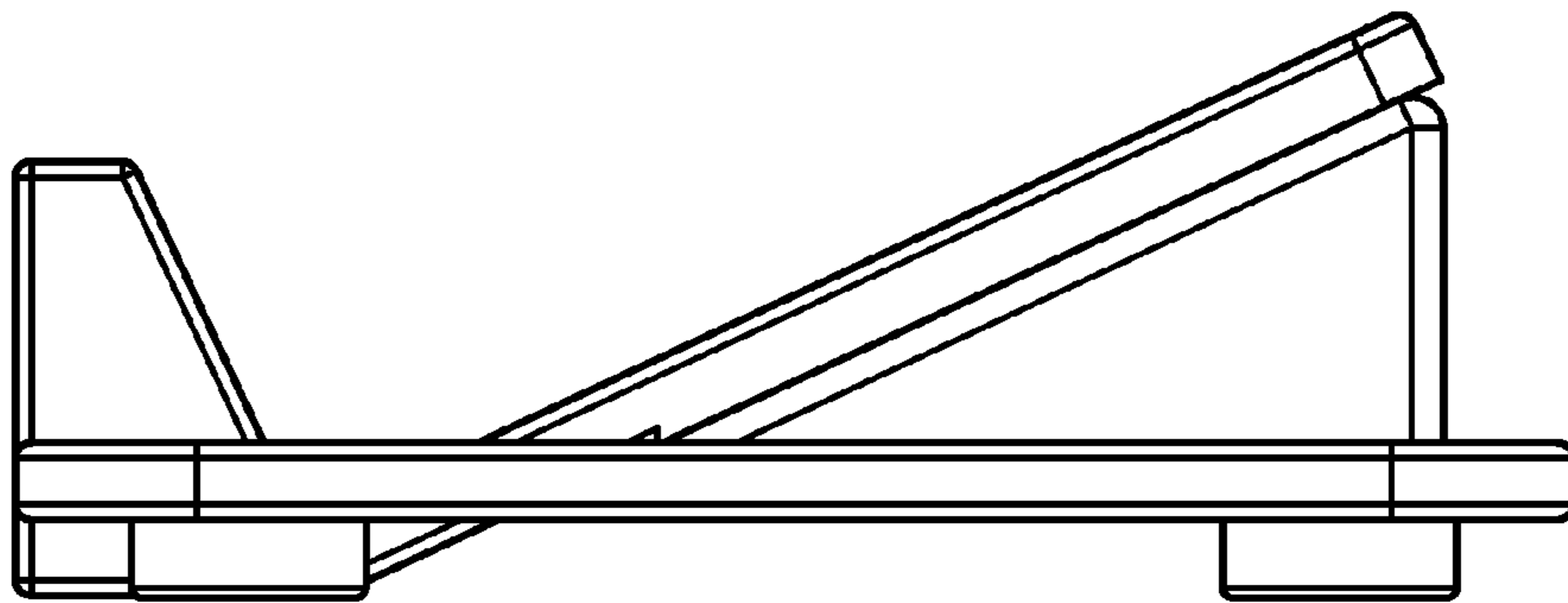


FIG. 5

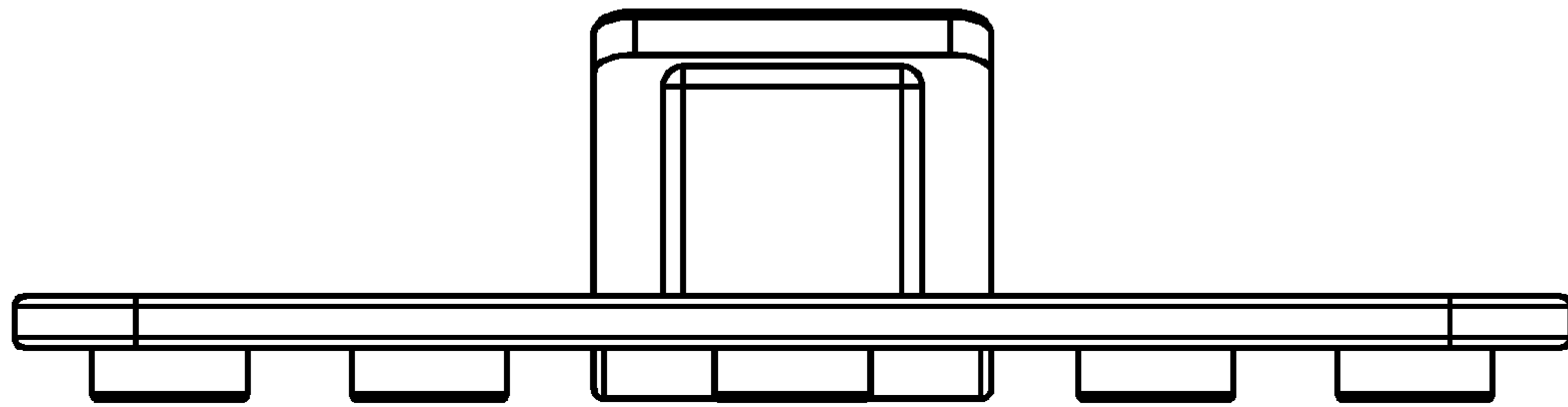


FIG. 6

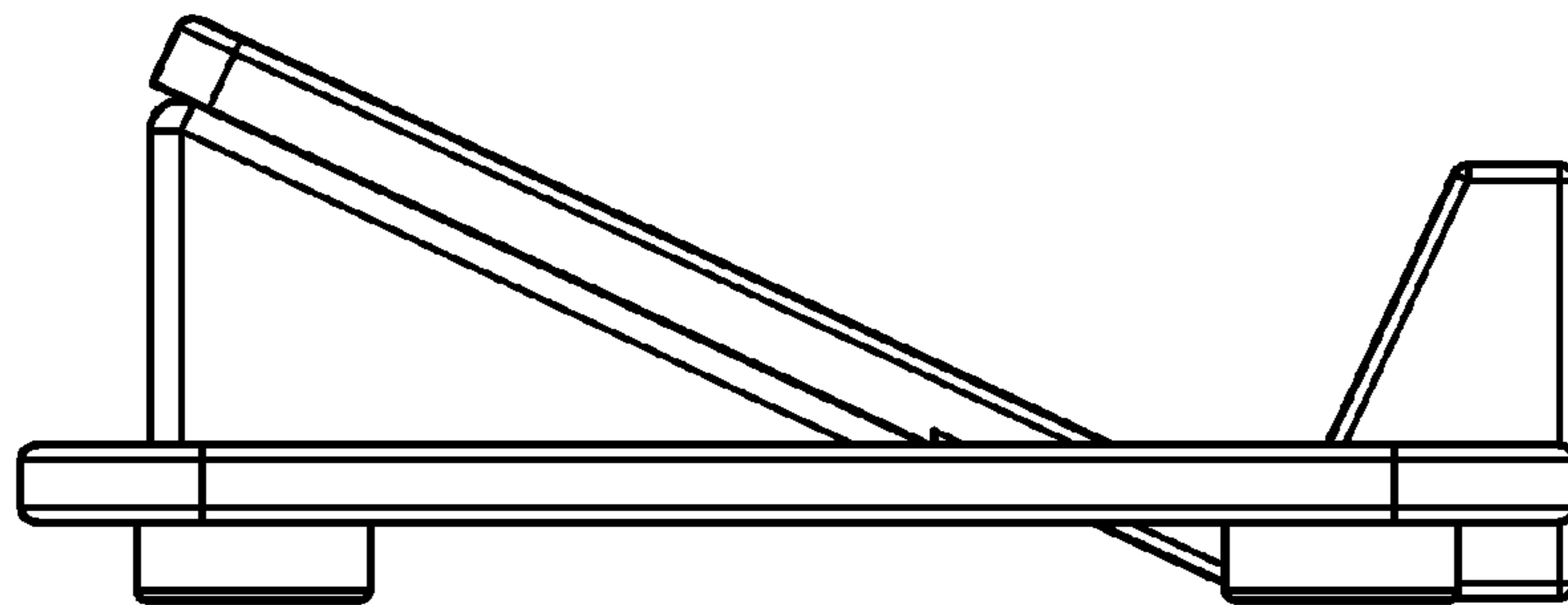


FIG. 7

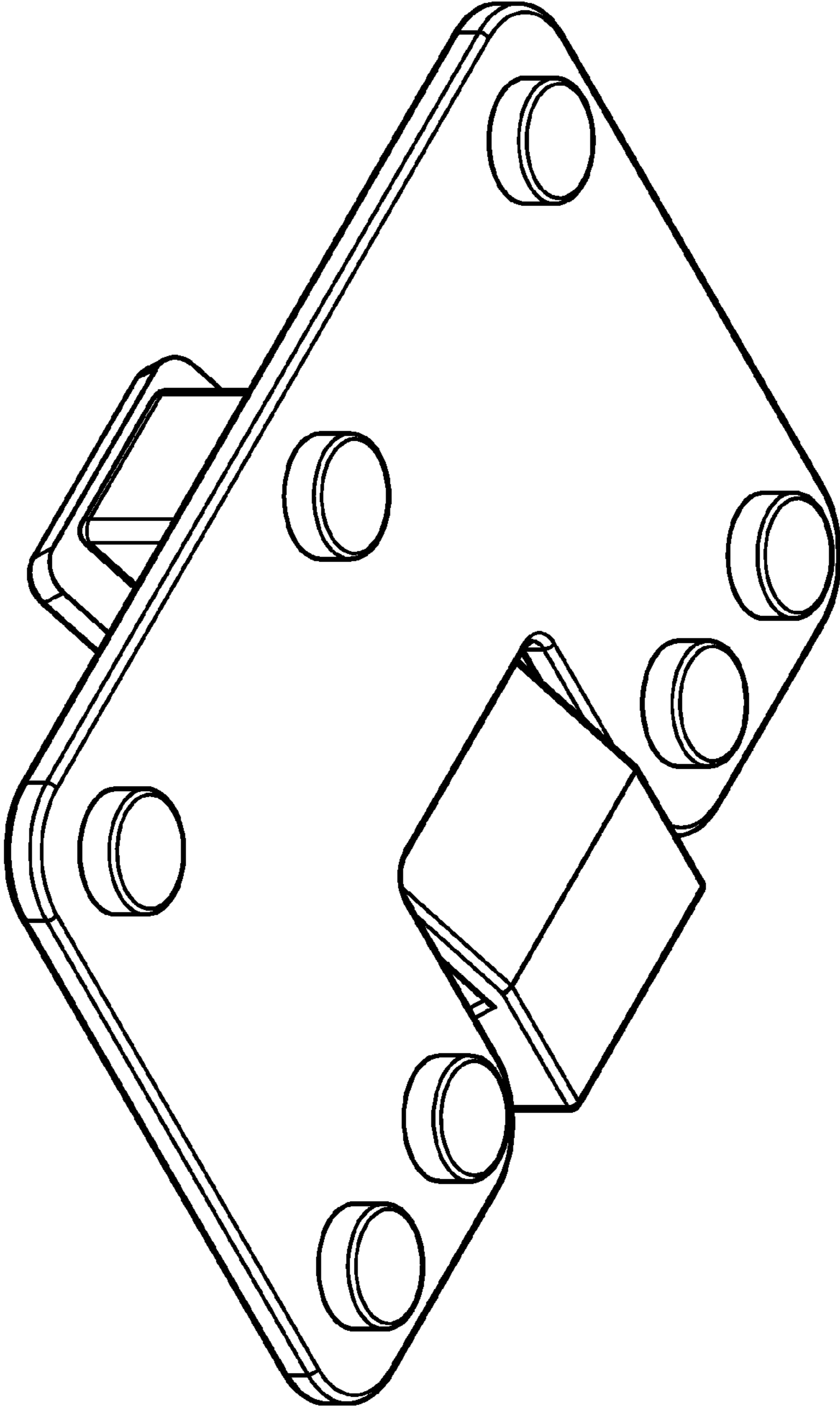


FIG. 8

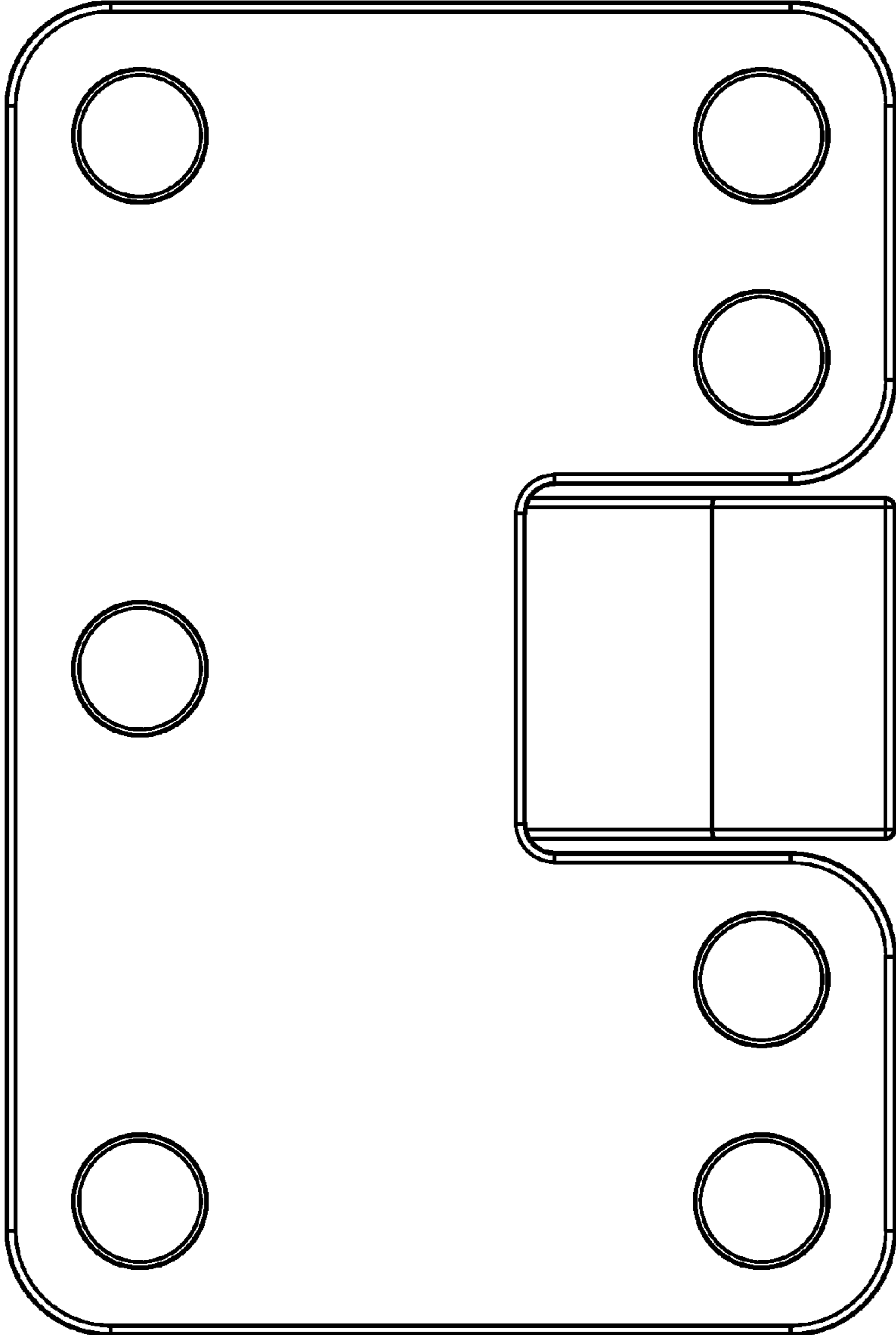


FIG. 9



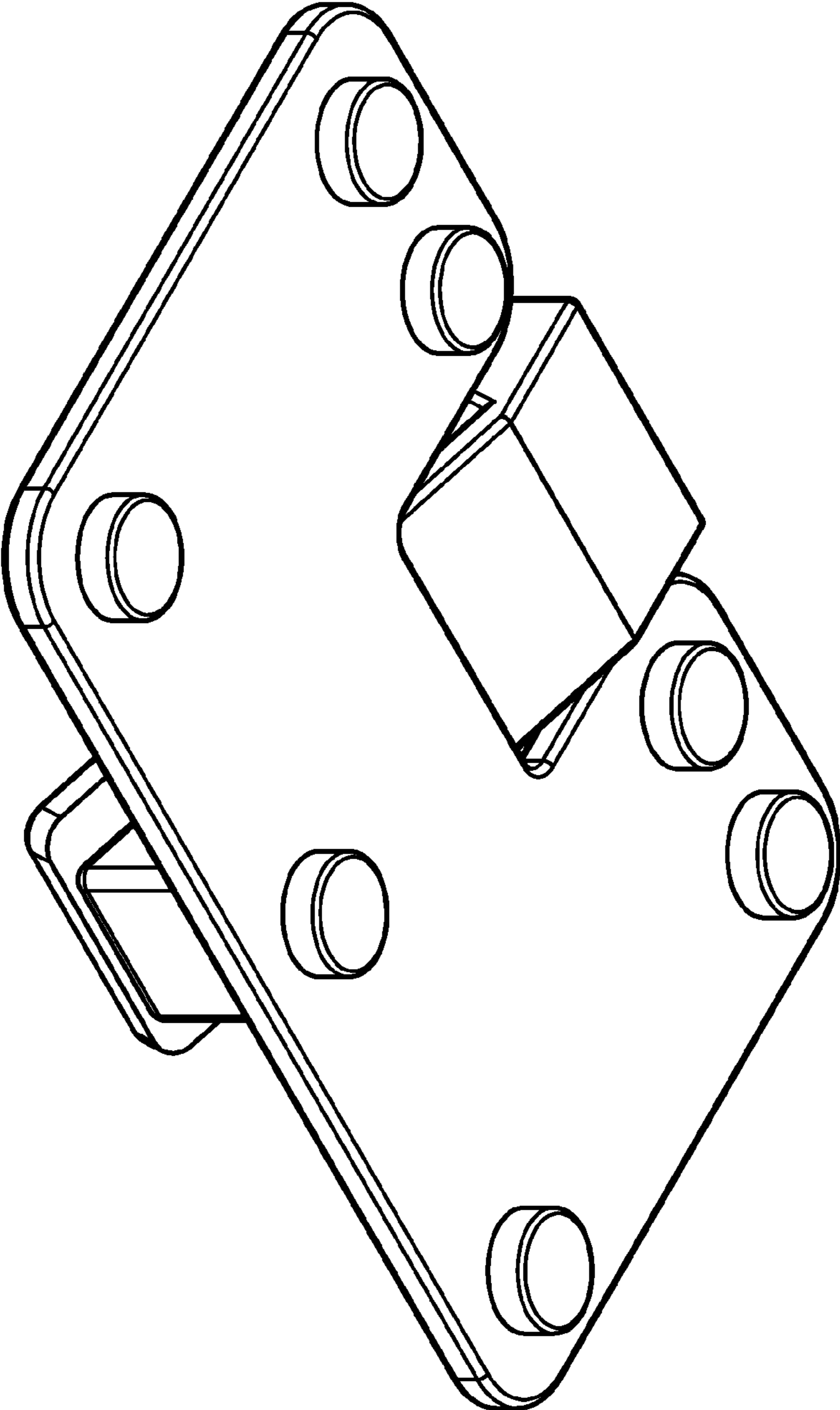


FIG. 10