



US00D729885S

(12) **United States Design Patent**
Wampler

(10) **Patent No.:** **US D729,885 S**

(45) **Date of Patent:** **** May 19, 2015**

(54) **ACHILLES TENDON STRETCHER**

(71) Applicant: **Elethia Vaughan Wampler**, Fairfax Station, VA (US)

(72) Inventor: **Elethia Vaughan Wampler**, Fairfax Station, VA (US)

(**) Term: **14 Years**

(21) Appl. No.: **29/463,444**

(22) Filed: **Nov. 25, 2013**

(51) **LOC (10) Cl.** **21-02**

(52) **U.S. Cl.**
USPC **D21/662**

(58) **Field of Classification Search**
CPC A63B 22/0087; A63B 21/023; A63B 21/0428; A63B 21/055; A63B 2208/0204; A63B 22/16; A63B 23/08; A63B 23/10; A63B 21/0004; A63B 2022/0033; A63B 2023/006; A63B 21/068; A63B 21/143; A61H 1/0266; A61H 15/00; A61H 2209/00
USPC D21/662, 685, 686, 688; 482/79, 91, 482/121, 142, 146; 5/655, 655.3
See application file for complete search history.

(56) **References Cited**

U.S. PATENT DOCUMENTS

4,693,470	A *	9/1987	Ogawa	482/79
D298,266	S *	10/1988	Reyneke	D21/685
D312,359	S *	11/1990	Bradley	D6/420
5,087,036	A *	2/1992	Cooper	482/79
D332,184	S *	1/1993	Becker	D6/397
5,851,166	A *	12/1998	Bernardson	482/79

6,217,488	B1 *	4/2001	Bernardson	482/79
6,244,992	B1 *	6/2001	James	482/79
6,971,976	B2 *	12/2005	Endelman et al.	482/121
7,011,612	B2 *	3/2006	Repking	482/142
D629,852	S *	12/2010	Repac	D21/662
8,360,940	B2 *	1/2013	Kole et al.	482/121
D681,751	S *	5/2013	Meyer-Hayoz	D21/686
D695,365	S *	12/2013	Ban	D21/662
2008/0269026	A1 *	10/2008	Tsadok	482/79
2010/0146708	A1 *	6/2010	Sakata et al.	5/655.3
2012/0065030	A1 *	3/2012	Sandvig	482/79
2013/0184126	A1 *	7/2013	Kole et al.	482/79

* cited by examiner

Primary Examiner — George D Kirschbaum

Assistant Examiner — Jennifer Watkins

(74) *Attorney, Agent, or Firm* — Sonya C. Harris; Invention Services

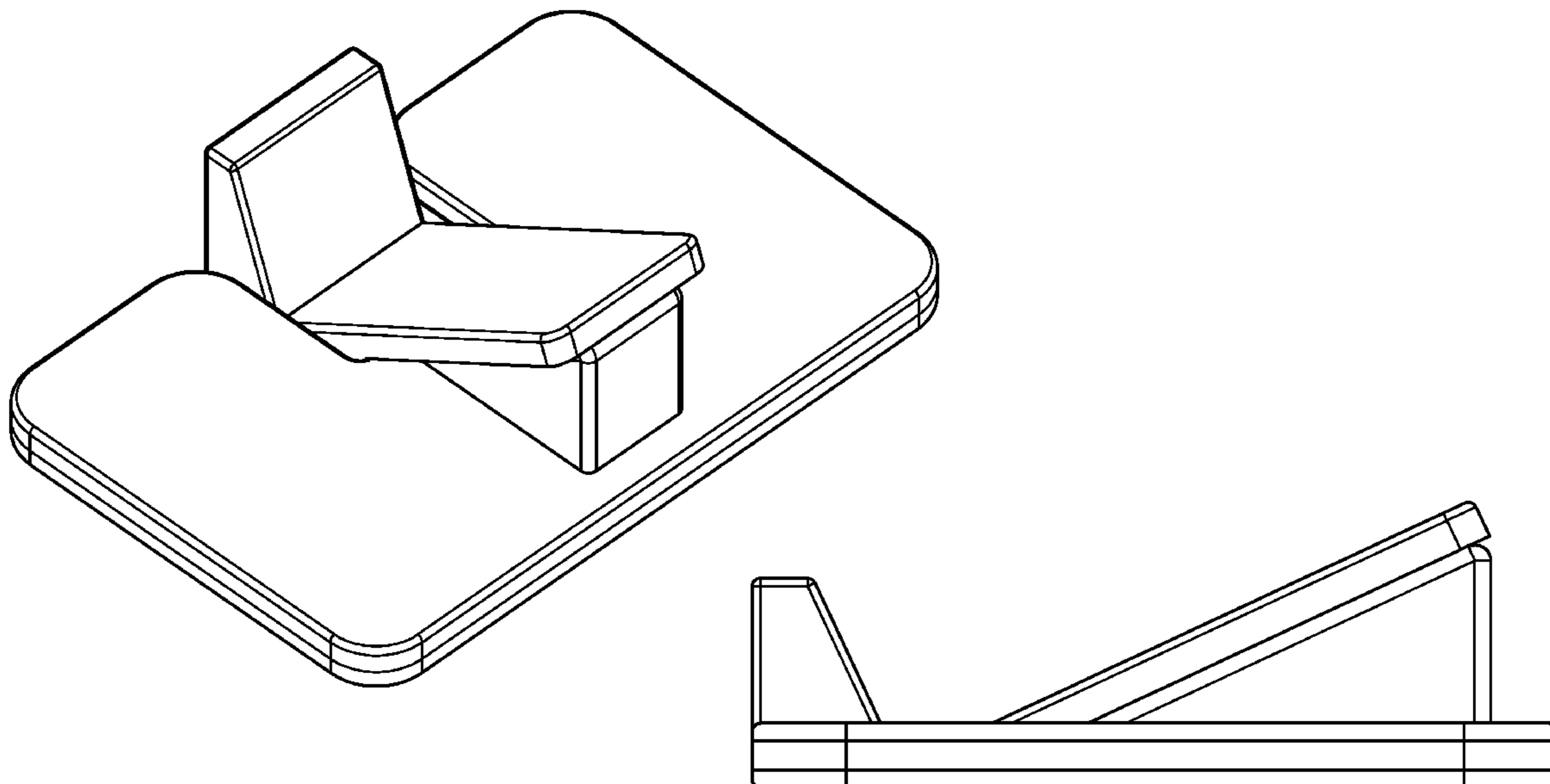
(57) **CLAIM**

The ornamental design for an achilles tendon stretcher, as shown and described.

DESCRIPTION

FIG. 1 is a top left front perspective view of my design;
FIG. 2 is a top plan view of my design;
FIG. 3 is a top right front perspective view of my design;
FIG. 4 is a rear elevational view of my design;
FIG. 5 is a left side elevational view of my design;
FIG. 6 is a front elevational view of my design;
FIG. 7 is a right side elevational view of my design;
FIG. 8 is a bottom rear left perspective view of my design;
FIG. 9 is a bottom plan view of my design; and,
FIG. 10 is a bottom rear right perspective of my design.

1 Claim, 8 Drawing Sheets



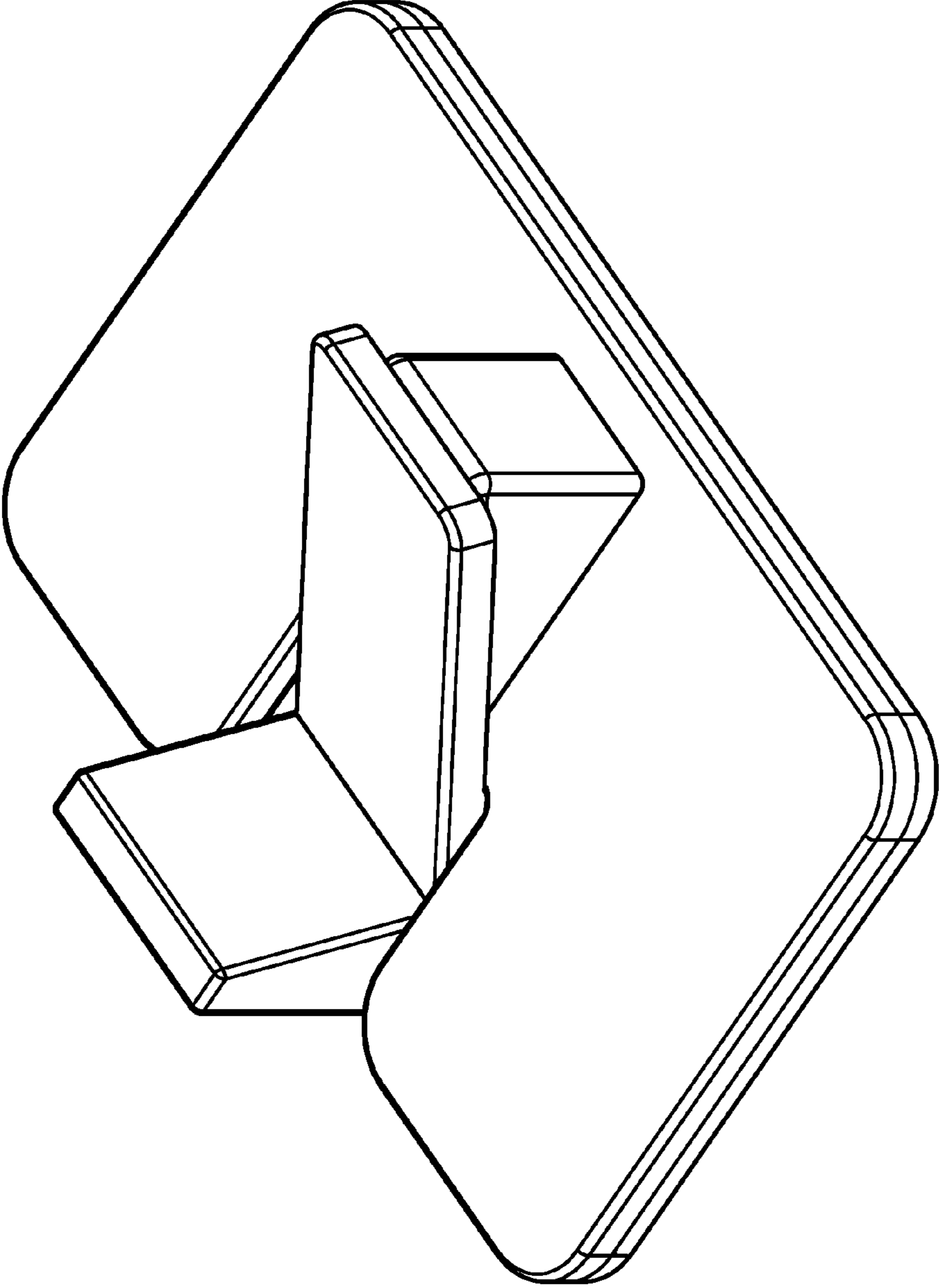


FIG. 1

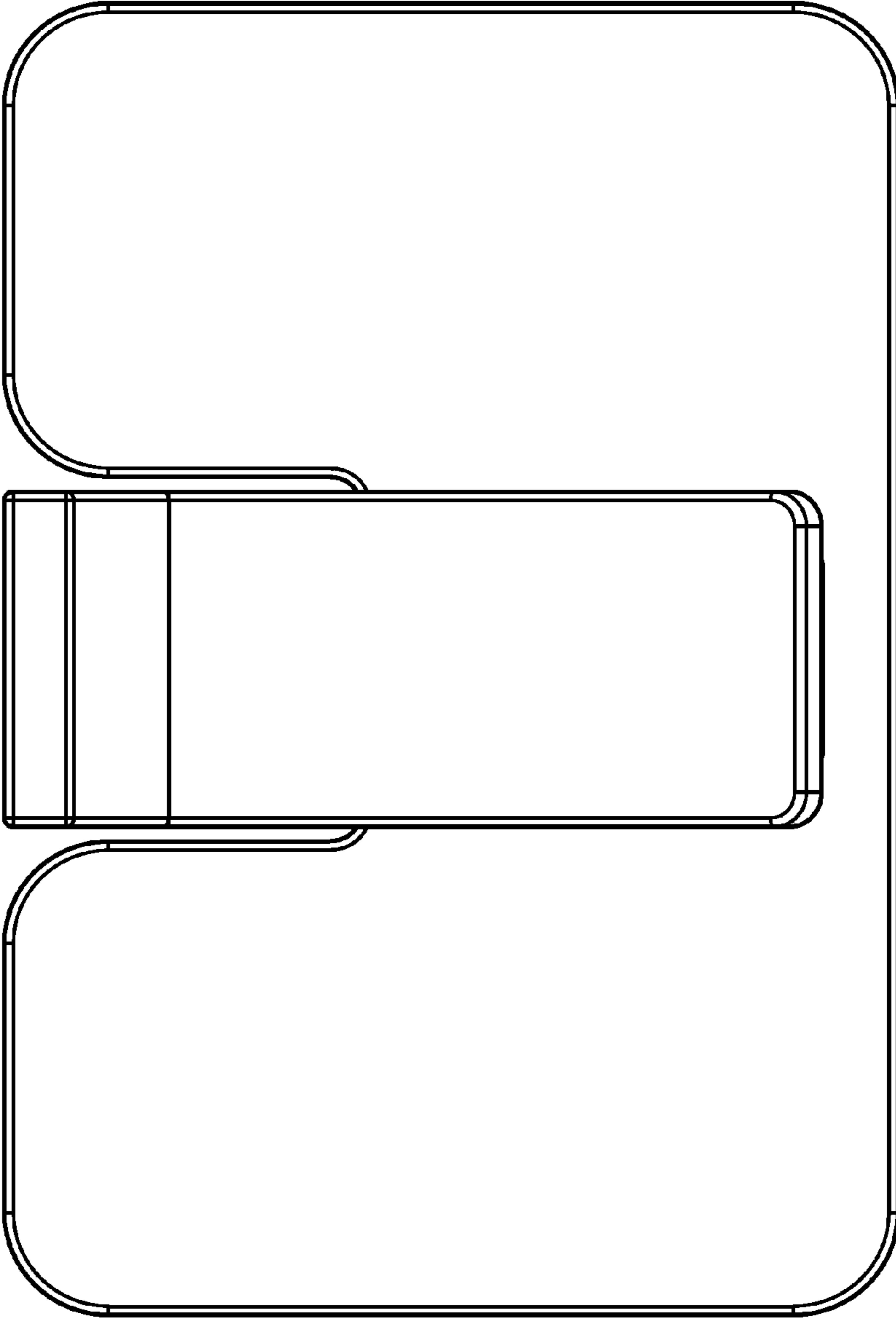


FIG. 2

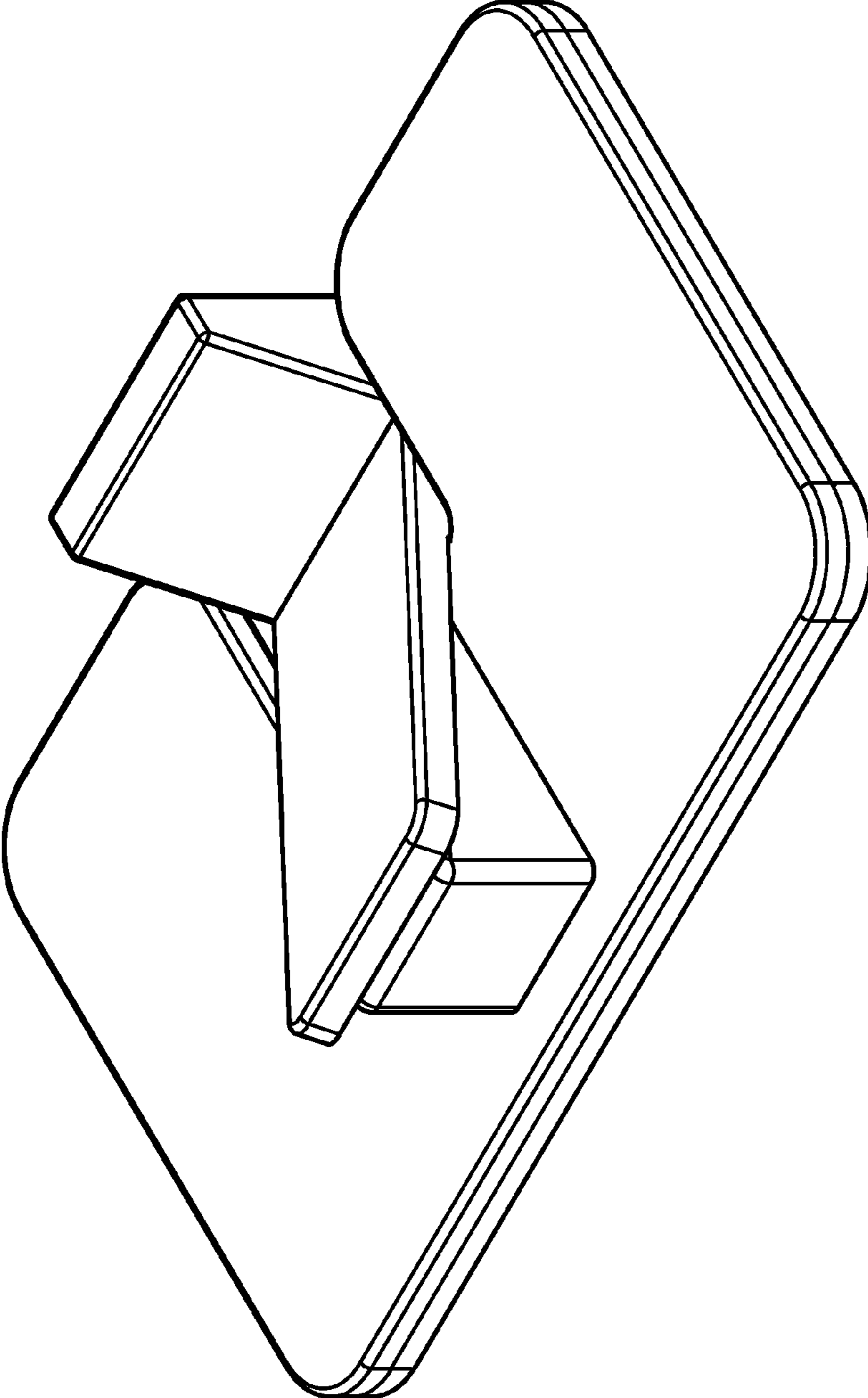


FIG. 3

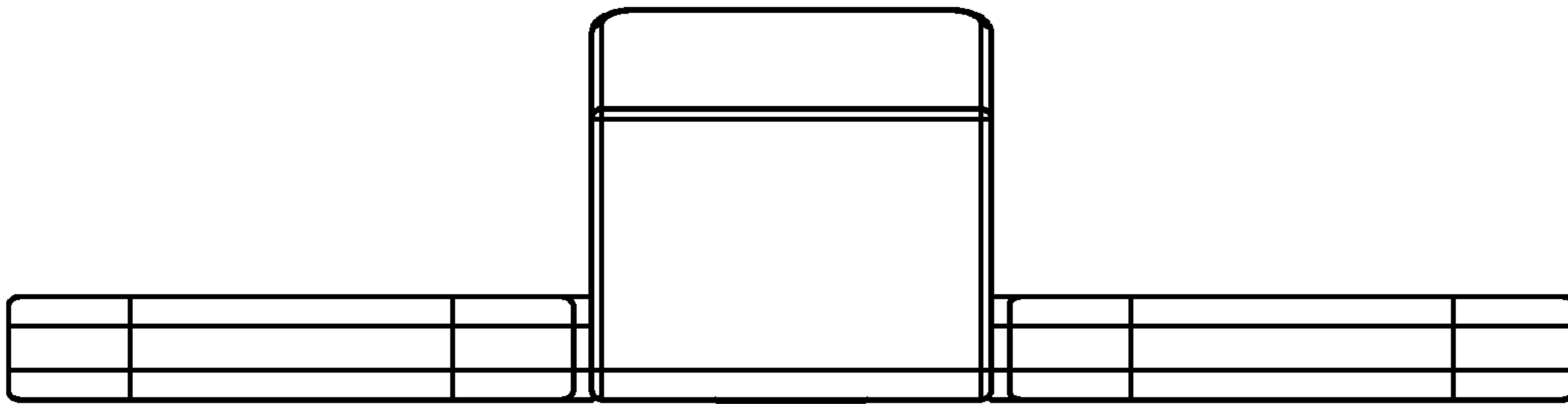


FIG. 4

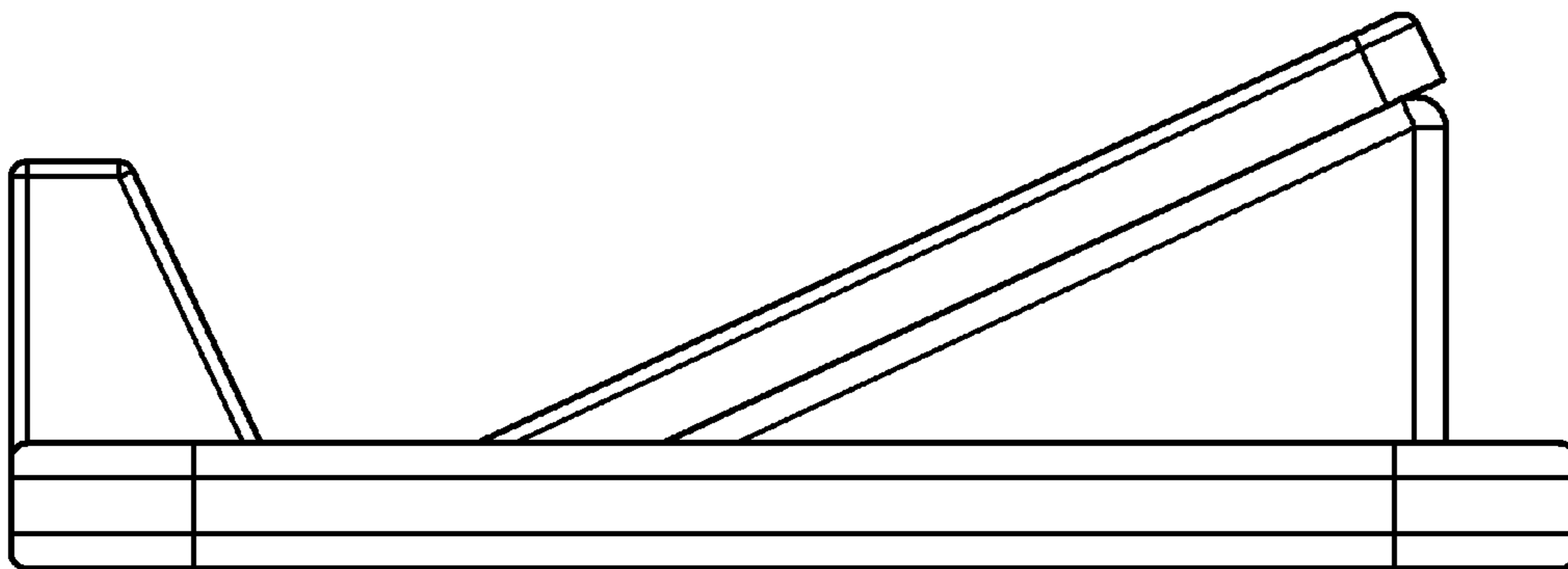


FIG. 5

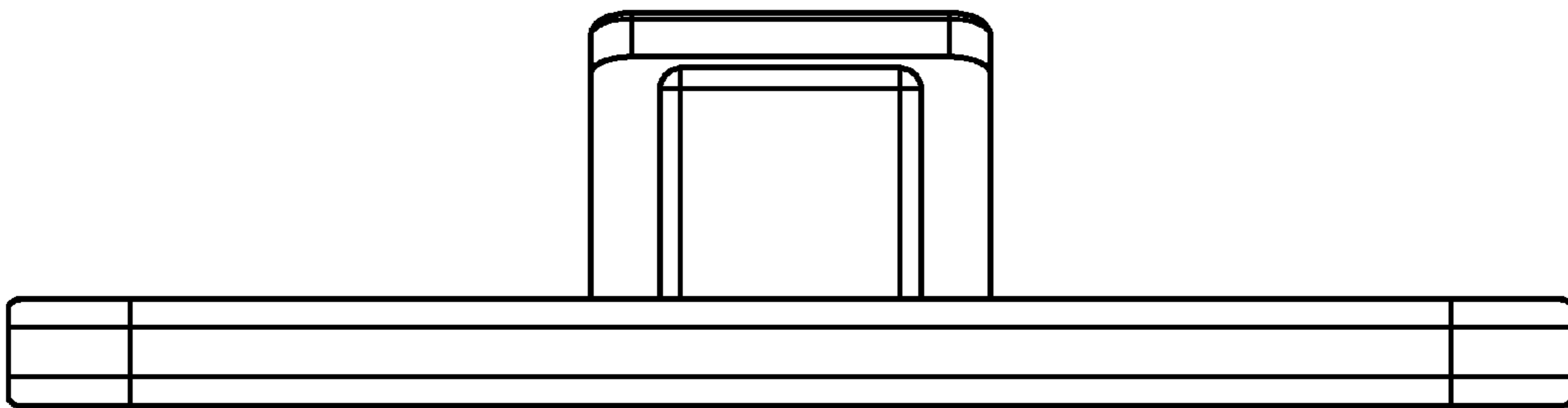


FIG. 6

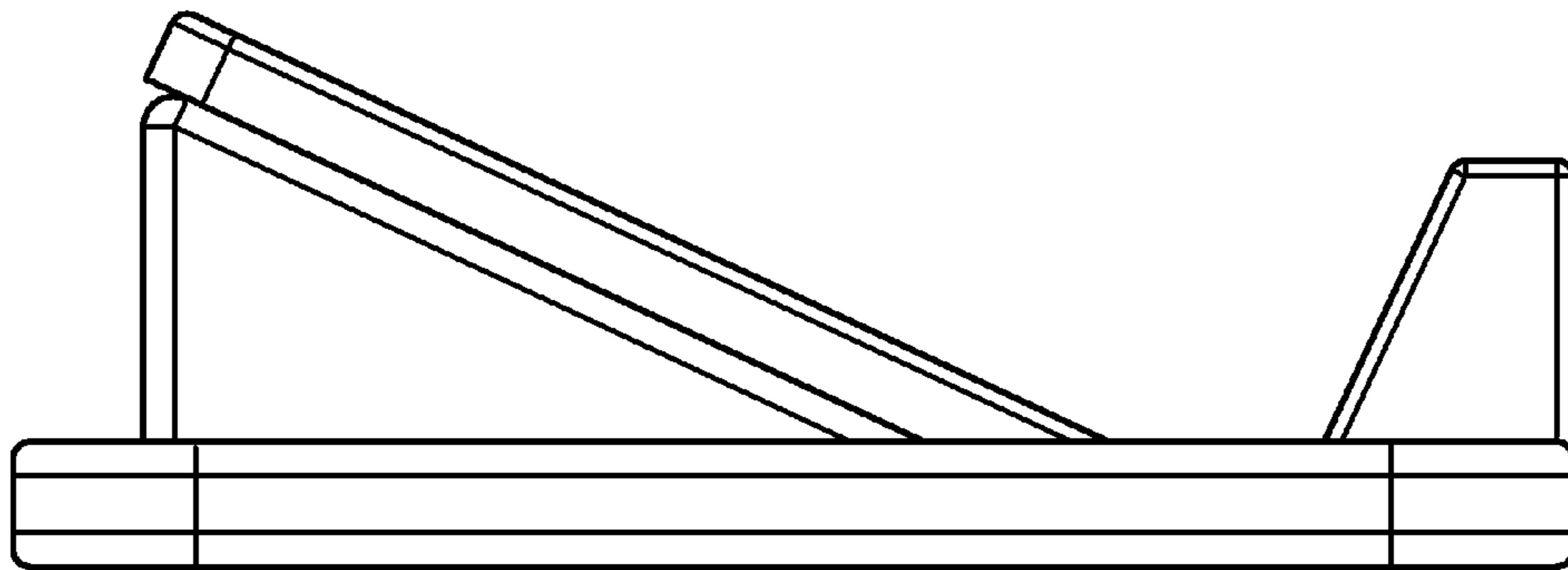


FIG. 7

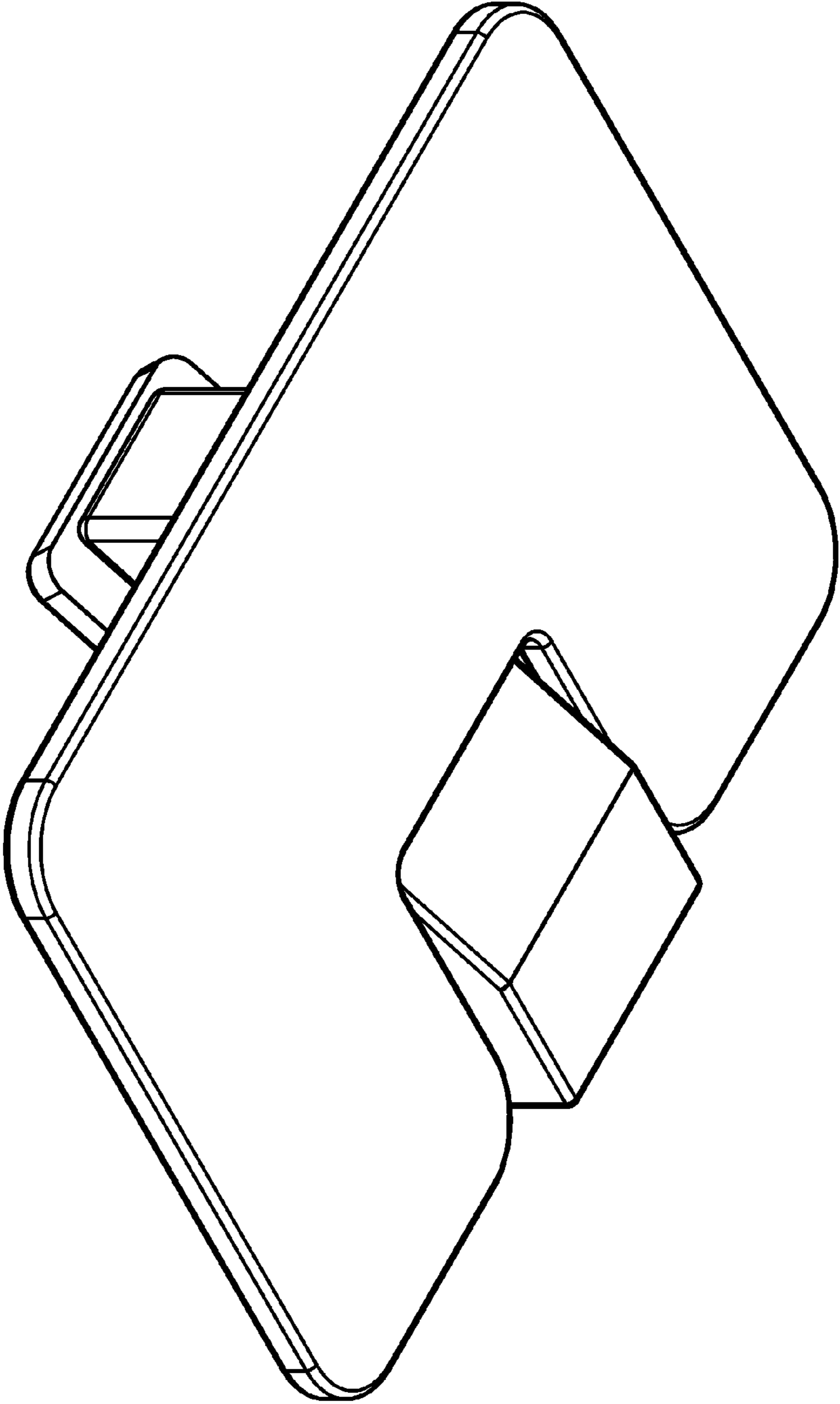


FIG. 8

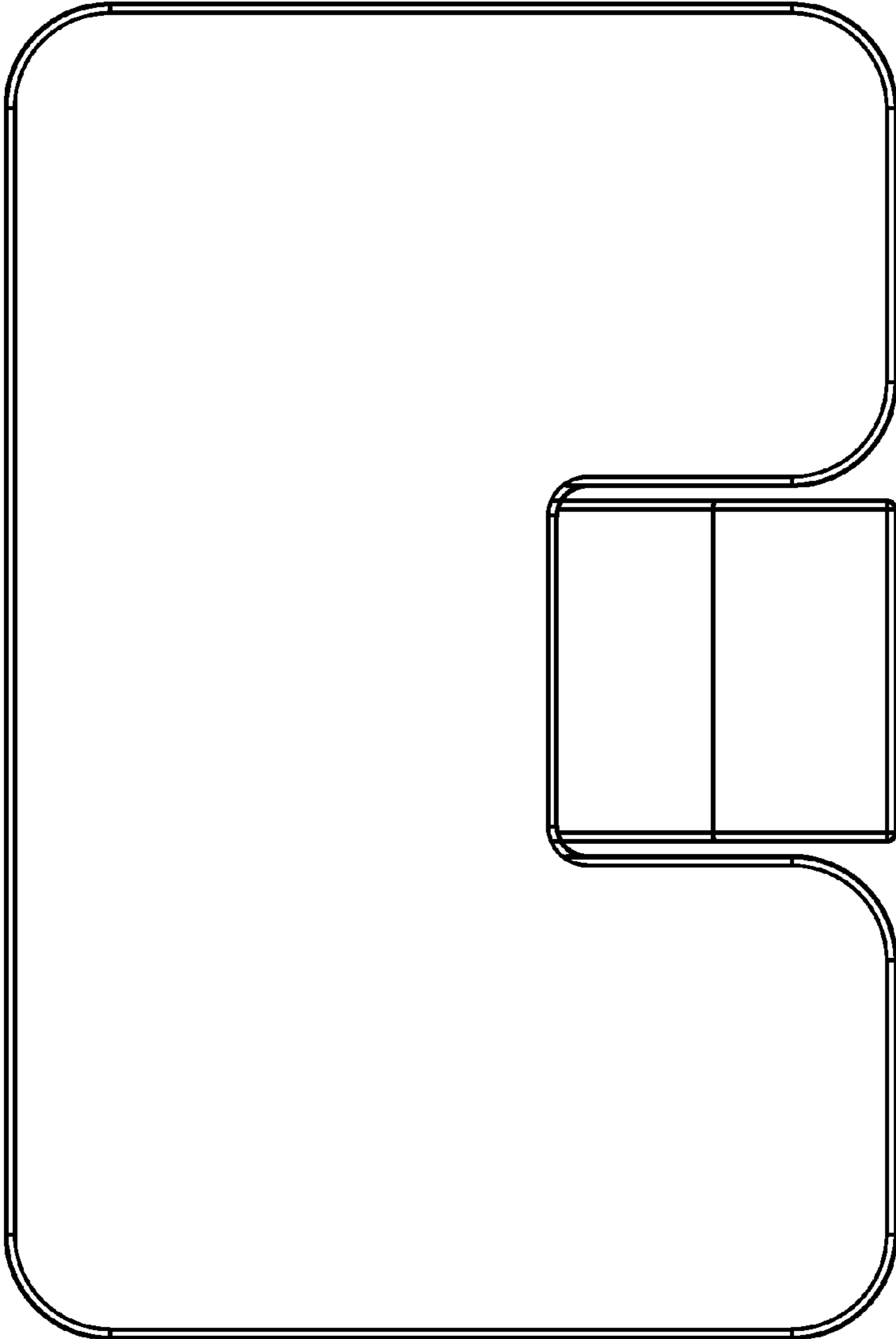


FIG. 9

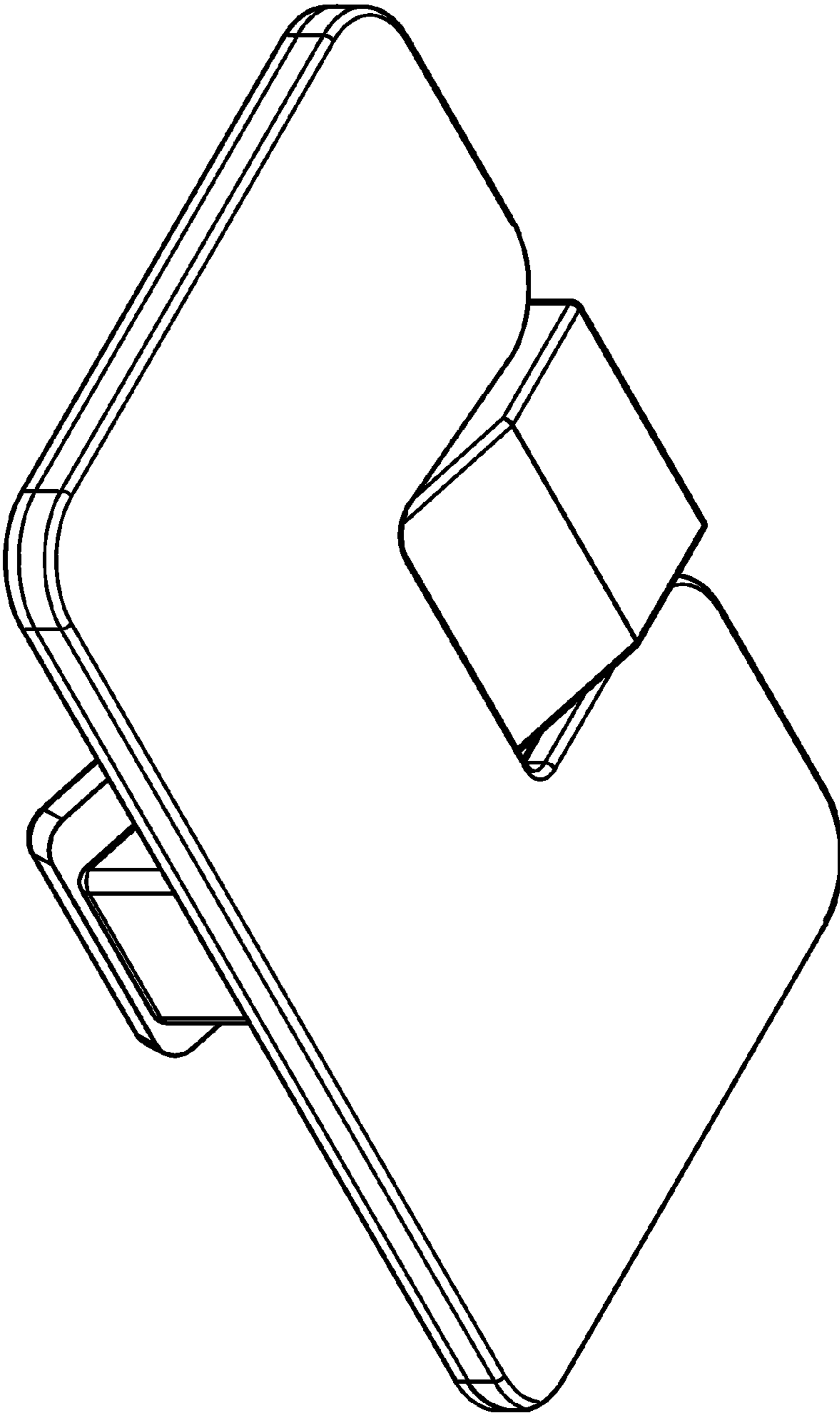


FIG. 10