



US00D729884S

(12) **United States Design Patent**
O'Rourke et al.

(10) **Patent No.:** **US D729,884 S**
(45) **Date of Patent:** **** May 19, 2015**

(54) **WOODEN HORSE RACING UNIT**
(71) Applicants: **Kristin Ann O'Rourke**, Greenlawn, NY
(US); **John O'Rourke**, Greenlawn, NY
(US)
(72) Inventors: **Kristin Ann O'Rourke**, Greenlawn, NY
(US); **John O'Rourke**, Greenlawn, NY
(US)

2,570,834	A	*	10/1951	Meth	D21/429
2,738,199	A	*	3/1956	Rand	446/293
D189,754	S	*	2/1961	Frisk	D21/591
D232,046	S	*	7/1974	Crawford	D21/592
D260,016	S	*	7/1981	Thomas	D21/429
D268,605	S	*	4/1983	Randolph	D21/591
D278,072	S	*	3/1985	Urabe	D21/620
D340,955	S	*	11/1993	Hoffmaster	D21/429
D373,388	S	*	9/1996	Kework	D21/592
5,888,138	A	*	3/1999	Suganuma	446/285
D541,885	S	*	5/2007	Lensvelt	D21/592

(**) Term: **14 Years**

* cited by examiner

(21) Appl. No.: **29/482,687**

Primary Examiner — Sandra Morris

(22) Filed: **Feb. 20, 2014**

(51) **LOC (10) Cl.** **21-01**

(57) **CLAIM**

(52) **U.S. Cl.**
USPC **D21/592; D21/620**

The ornamental design for a wooden horse racing unit, as shown and described.

(58) **Field of Classification Search**
CPC A63H 3/02; A63H 11/10
USPC D21/429, 576-578, 585, 587-593, 620;
446/72-73, 97-98, 268-269, 297, 369;
D6/598; D11/158, 162; D30/160;
D3/211

DESCRIPTION

See application file for complete search history.

FIG. 1 is a perspective front view of a wooden horse racing unit;
FIG. 2 is a front elevation view of the wooden horse racing unit;
FIG. 3 is a rear elevation view of the wooden horse racing unit;
FIG. 4 is a left side elevation view of the wooden horse racing unit; the right side view being a mirror image thereof;
FIG. 5 is a top plan view of the wooden horse racing unit; and,
FIG. 6 is a bottom plan view of the wooden horse racing unit.

(56) **References Cited**

U.S. PATENT DOCUMENTS

D75,994	S	*	8/1928	Yale	D21/429
1,862,150	A	*	6/1932	Klinge	446/292
D91,227	S	*	12/1933	Wetzell	D21/592
D103,924	S	*	4/1937	Burns	D21/419
D122,403	S	*	9/1940	Herlthy	D21/620

1 Claim, 4 Drawing Sheets

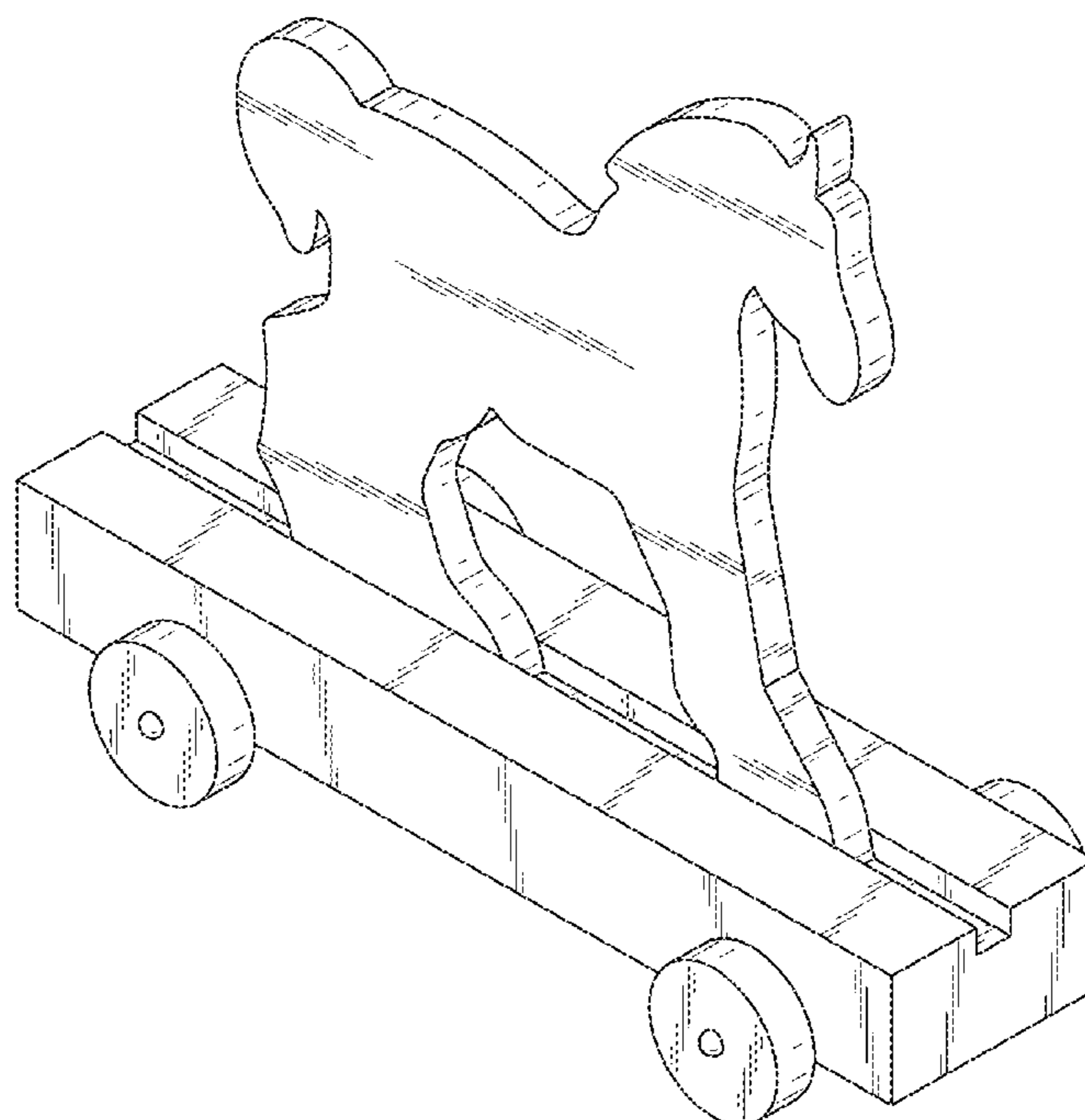
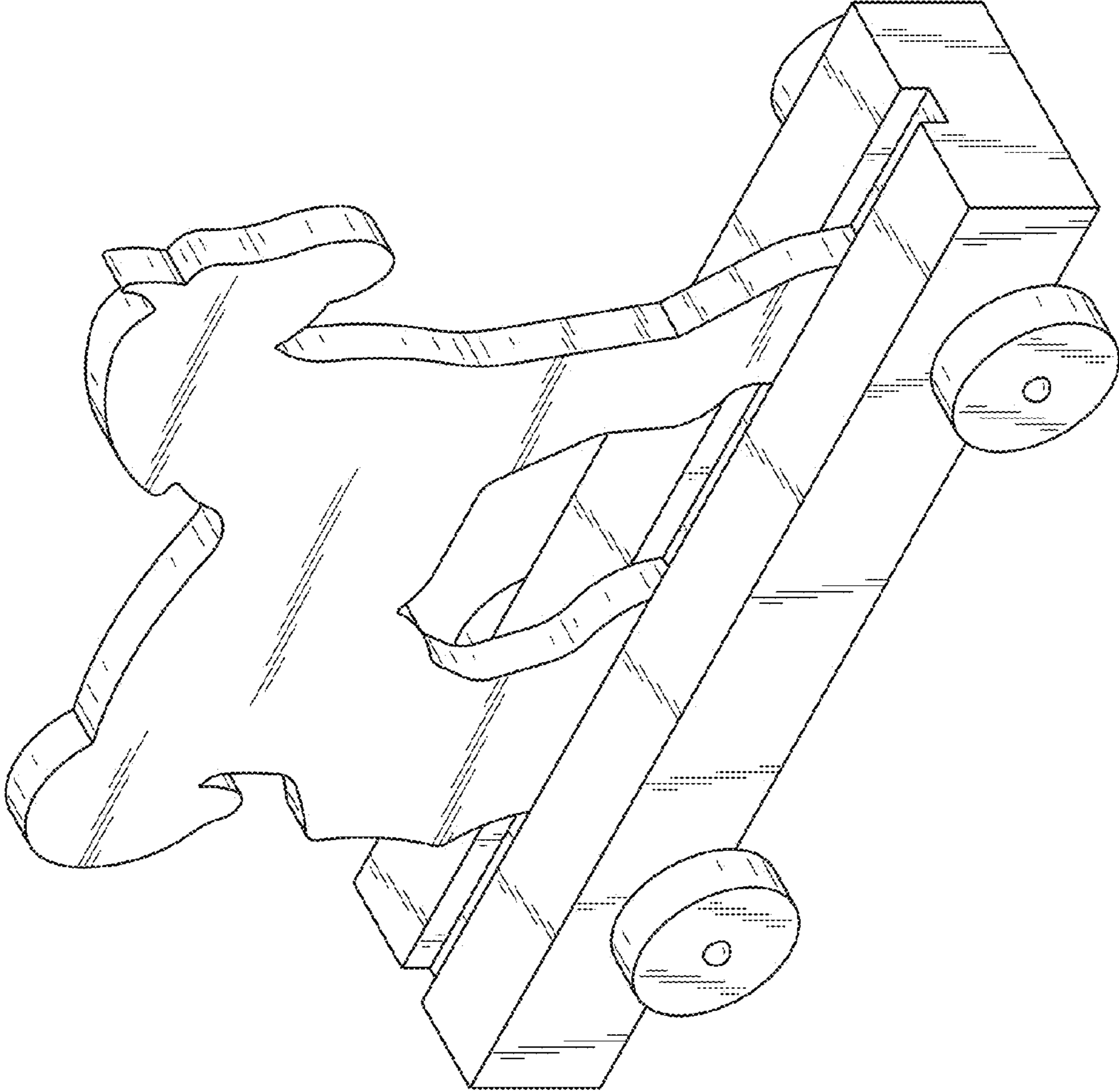


FIG. 1



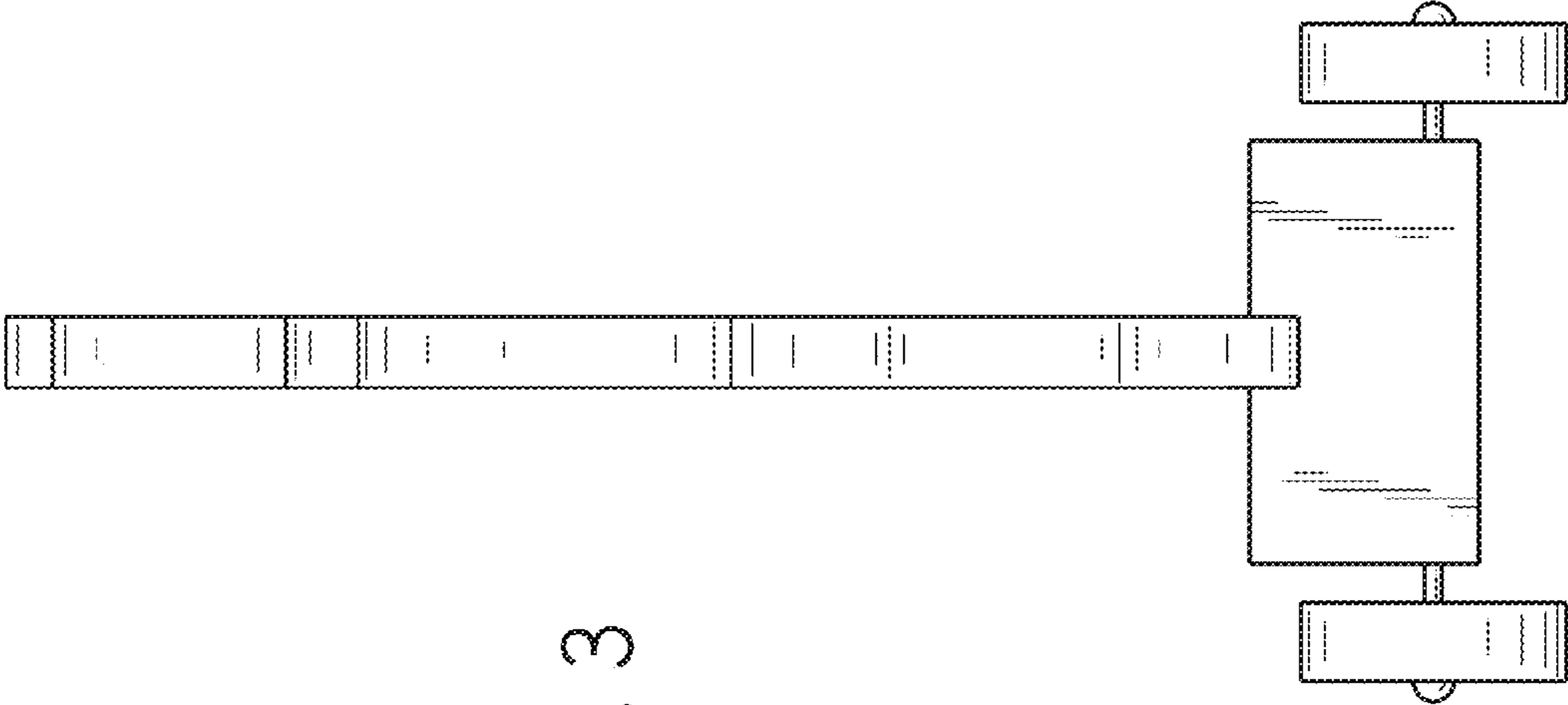


FIG. 3

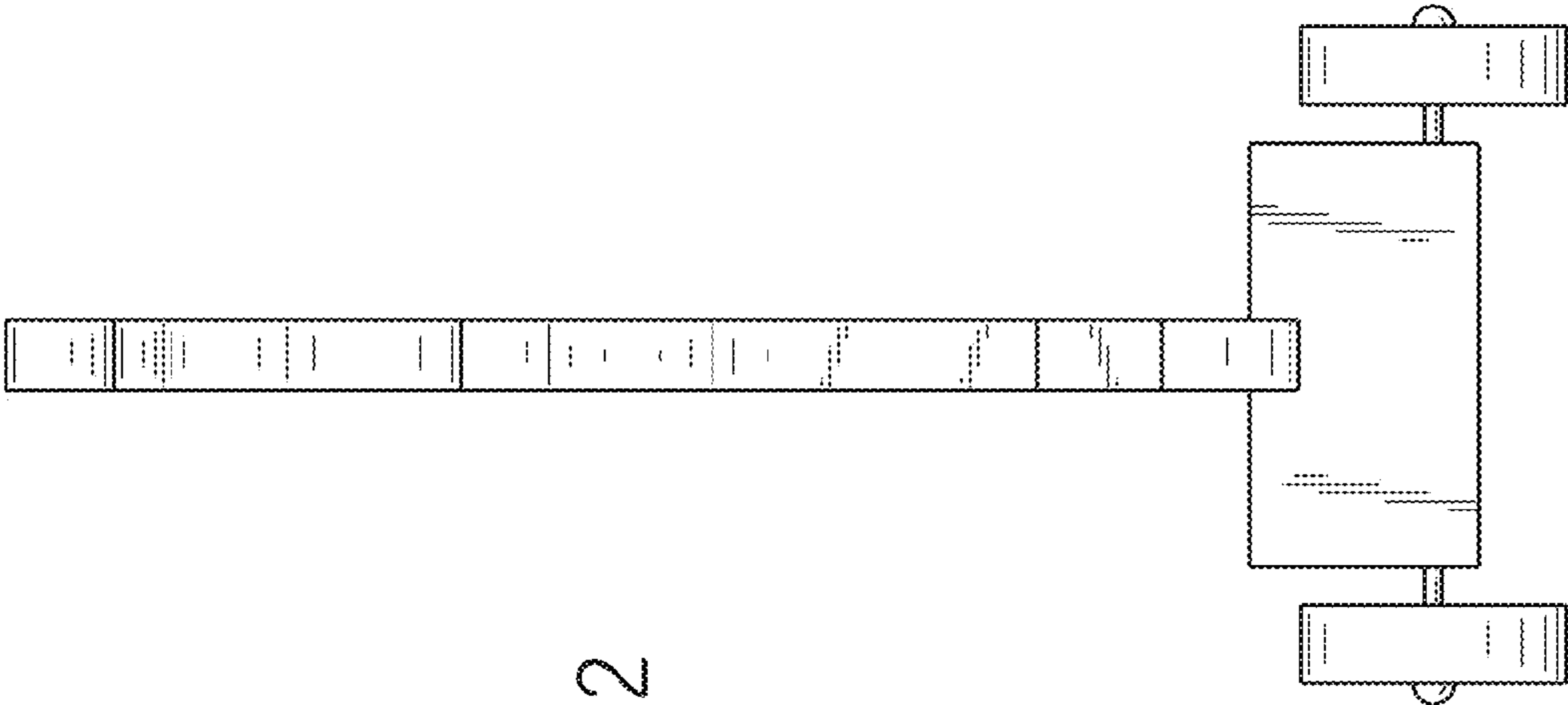


FIG. 2

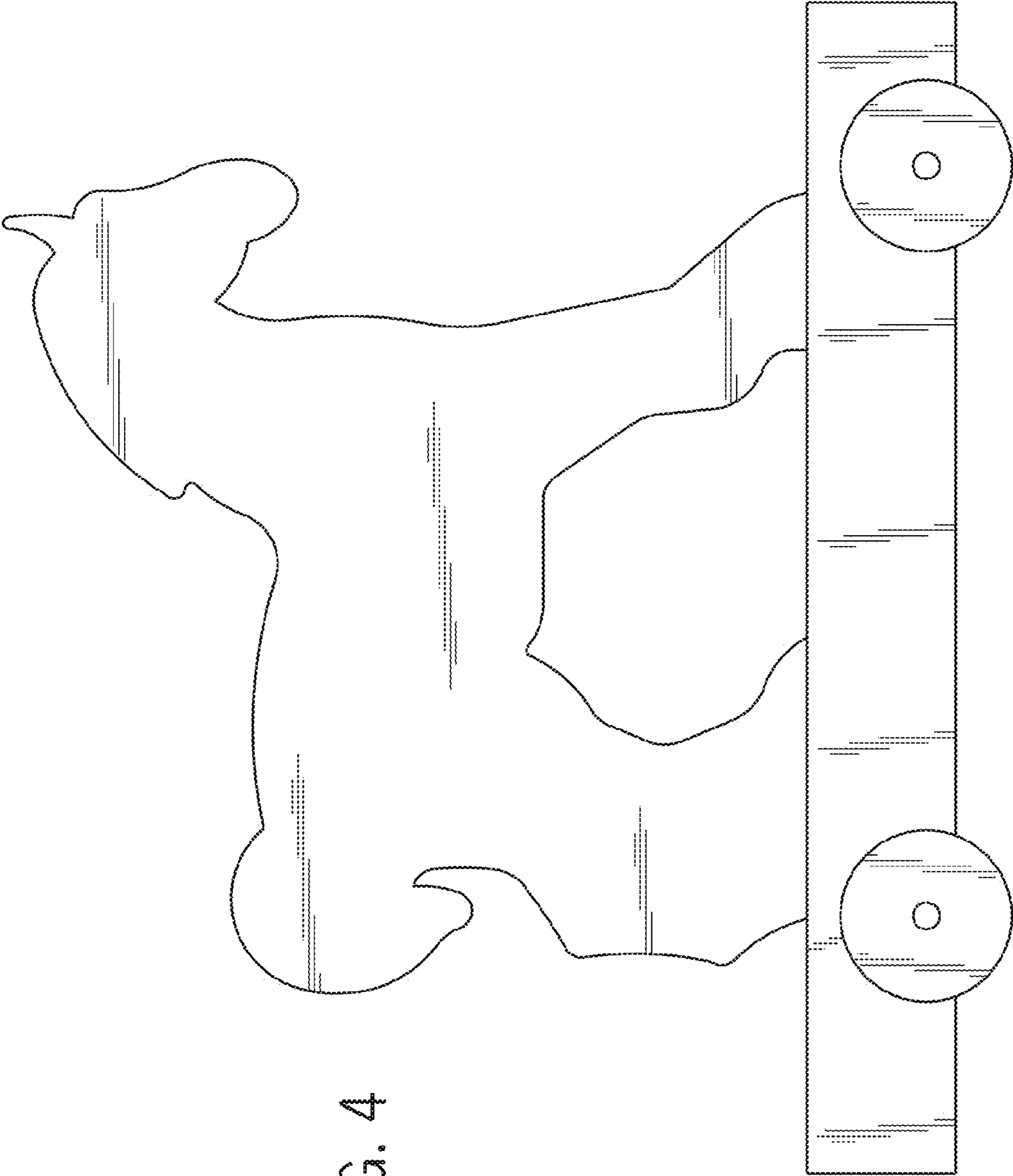


FIG. 4

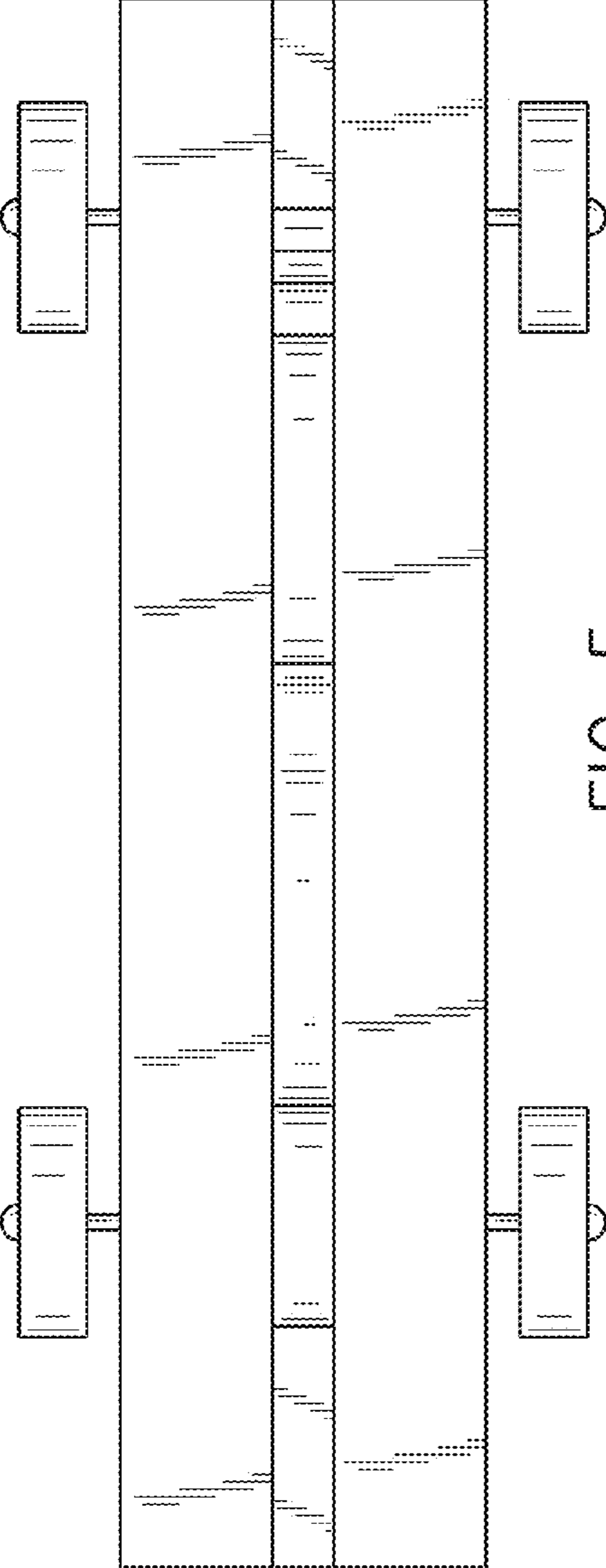


FIG. 5

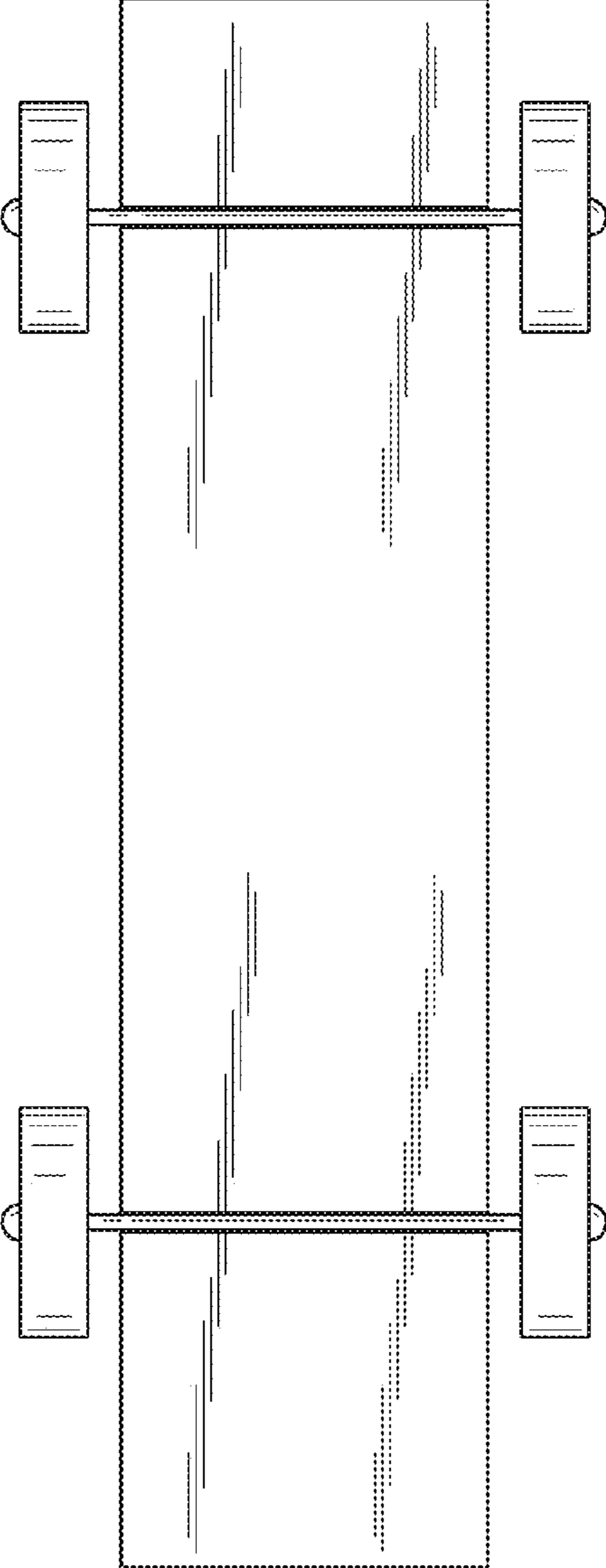


FIG. 6