



US00D729883S

(12) **United States Design Patent**
Emoff

(10) **Patent No.:** **US D729,883 S**

(45) **Date of Patent:** **** May 19, 2015**

(54) **JACK-IN-THE-BOX TOY**

(71) Applicant: **Shumsky Enterprises, Inc.**, Dayton, OH (US)

(72) Inventor: **Michael J. Emoff**, Dayton, OH (US)

(73) Assignee: **Boost Technologies, LLC**, Dayton, OH (US)

(**) Term: **14 Years**

(21) Appl. No.: **29/435,295**

(22) Filed: **Oct. 23, 2012**

(51) **LOC (10) Cl.** **21-01**

(52) **U.S. Cl.**
USPC **D21/589**

(58) **Field of Classification Search**
CPC A63H 13/16
USPC D21/621, 623, 624, 625, 628, 630, 631,
D21/633, 640, 643-649, 659, 632; 446/268,
446/360, 361, 376, 379, 382-384
See application file for complete search history.

(56) **References Cited**

U.S. PATENT DOCUMENTS

2,598,807	A *	6/1952	Lawson, Jr. et al.	446/9
3,037,779	A *	6/1962	Duncan	446/299
3,471,965	A *	10/1969	Glass et al.	446/302
3,667,155	A *	6/1972	Frelander	446/310
D252,232	S *	6/1979	Satten	D21/589
4,453,340	A *	6/1984	Kozuka et al.	446/437

8,911,845	B1 *	12/2014	Wa et al.	428/36.92
2010/0304637	A1 *	12/2010	Bullock	446/310
2013/0273804	A1 *	10/2013	Rossi et al.	446/310

* cited by examiner

Primary Examiner — Zenia Bennett

(74) *Attorney, Agent, or Firm* — Walters & Wasylina LLC

(57) **CLAIM**

The ornamental design for a jack-in-the-box toy, as shown and described.

DESCRIPTION

FIG. 1 is an isometric view of a jack-in-the-box toy in accordance with the present design, wherein the jack-in-the-box toy is shown in an open configuration;

FIG. 2 is a front elevational view of the jack-in-the-box toy of FIG. 1;

FIG. 3 is a left side elevational view of the jack-in-the-box toy of FIG. 1;

FIG. 4 is a rear elevational view of the jack-in-the-box toy of FIG. 1;

FIG. 5 is a right side elevational view of the jack-in-the-box toy of FIG. 1;

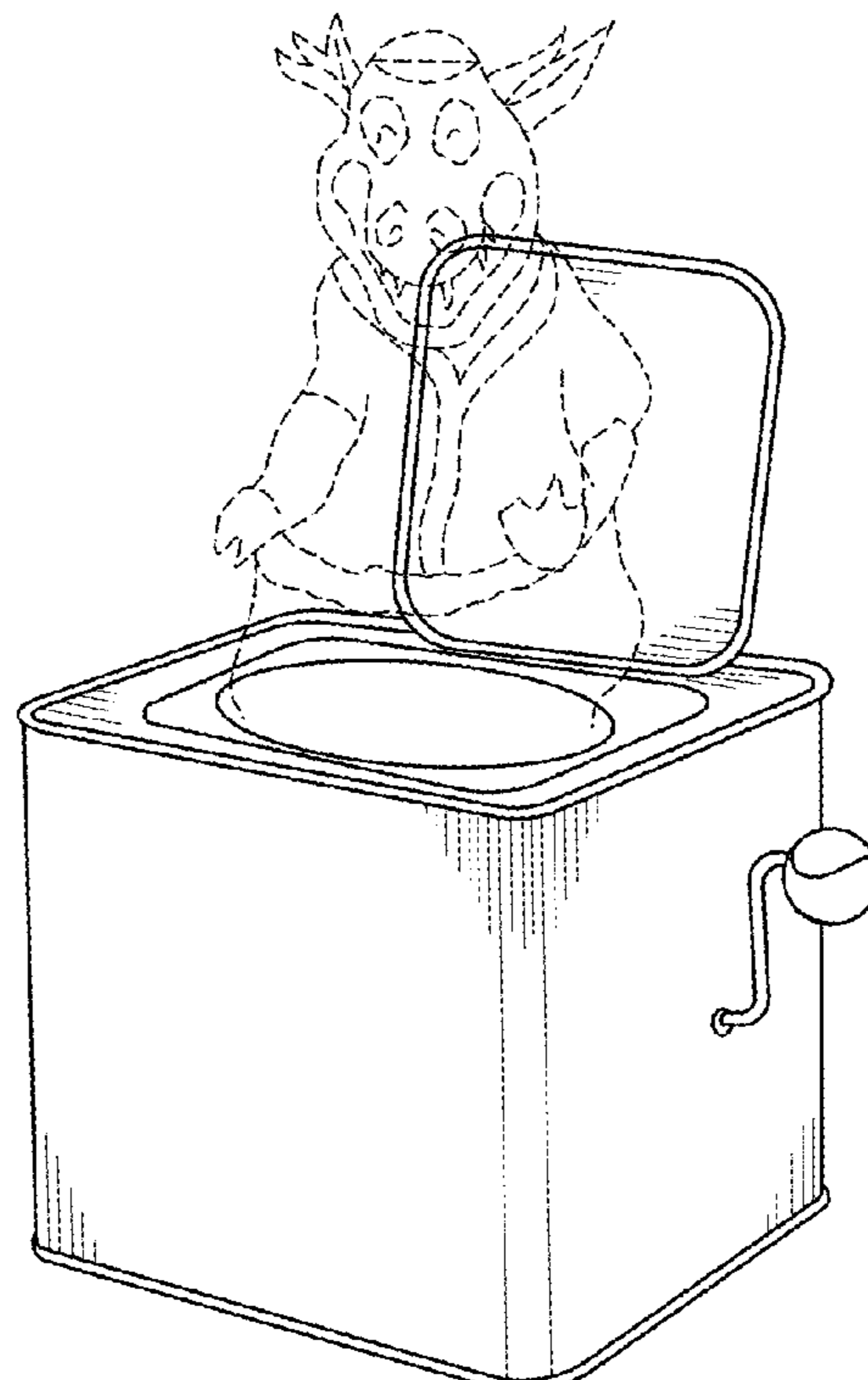
FIG. 6 is a top plan view of the jack-in-the-box toy of FIG. 1;

FIG. 7 is a bottom plan view of the jack-in-the-box toy of FIG. 1; and,

FIG. 8 is an isometric view of the jack-in-the-box toy of FIG. 1 shown in a closed configuration.

The pop-up puppet shown in phantom with broken lines forms no part of the claimed design.

1 Claim, 2 Drawing Sheets



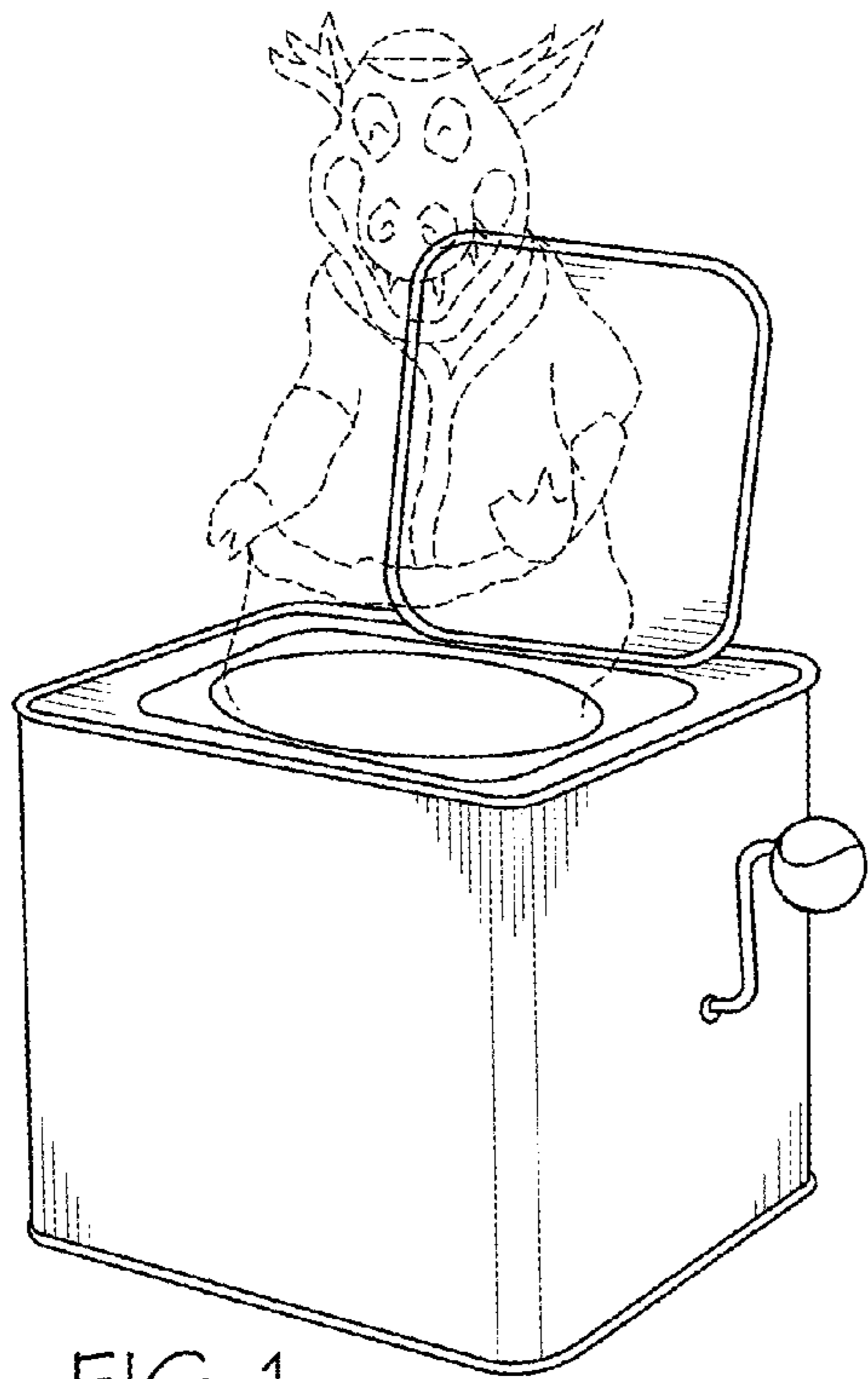


FIG. 1

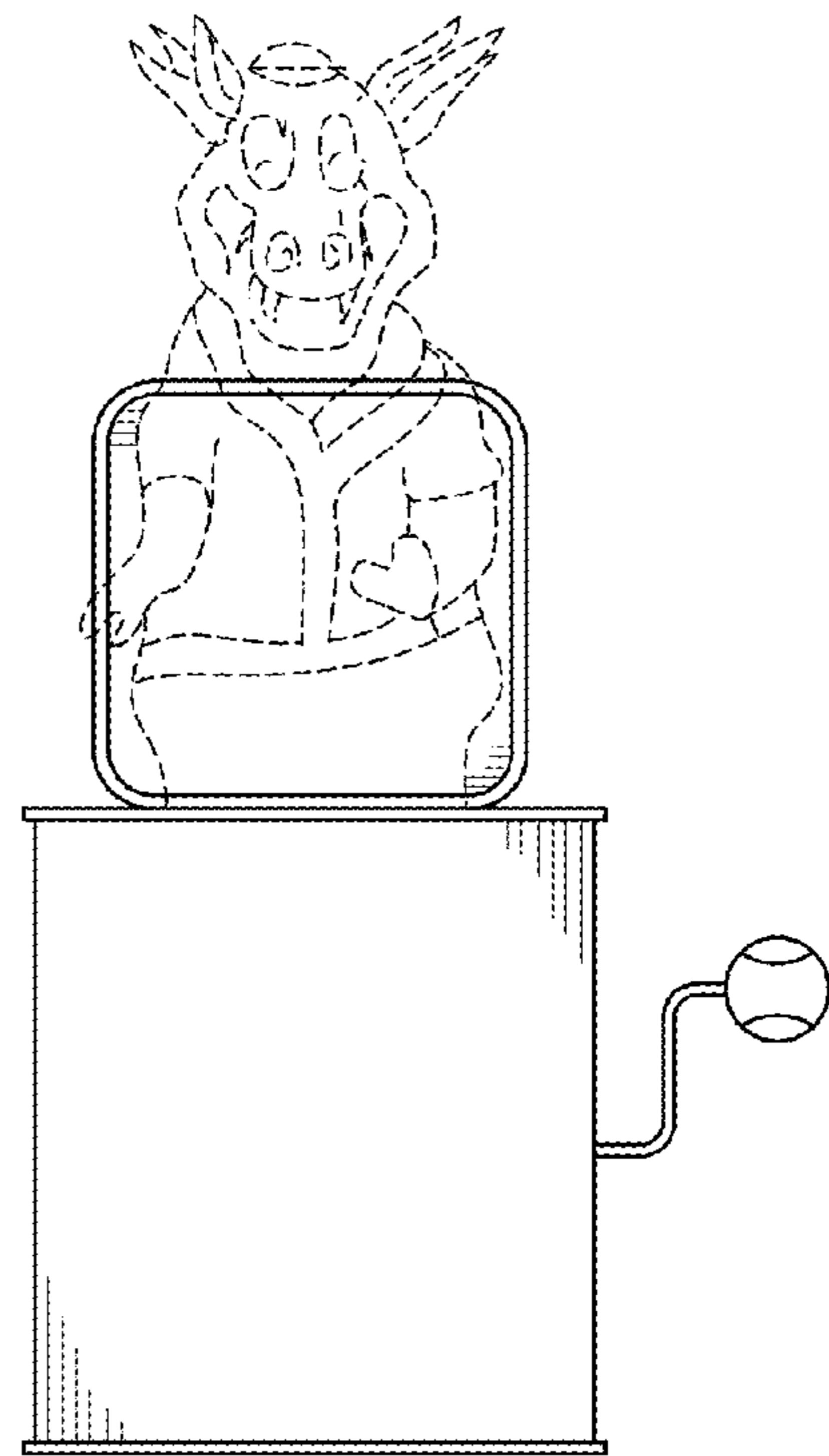


FIG. 2

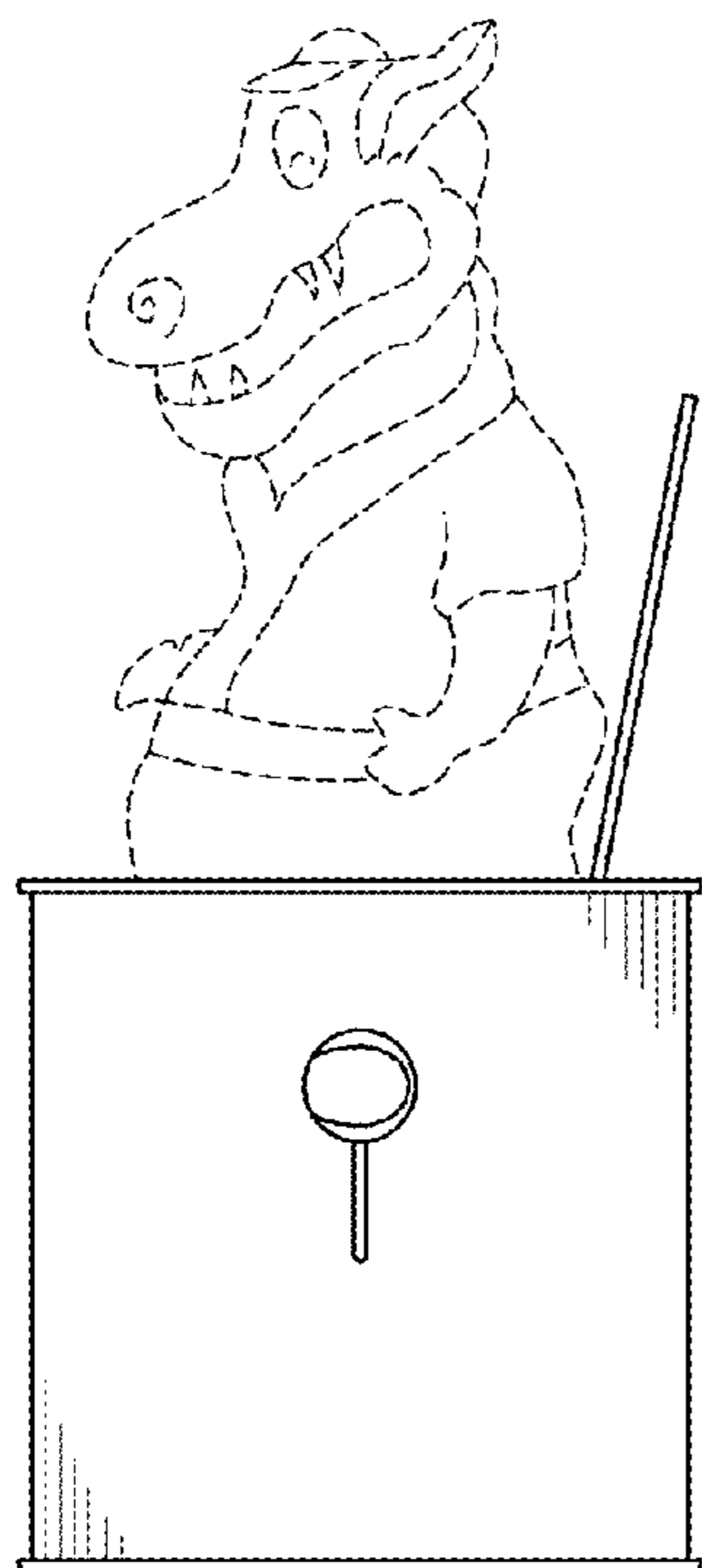


FIG. 3

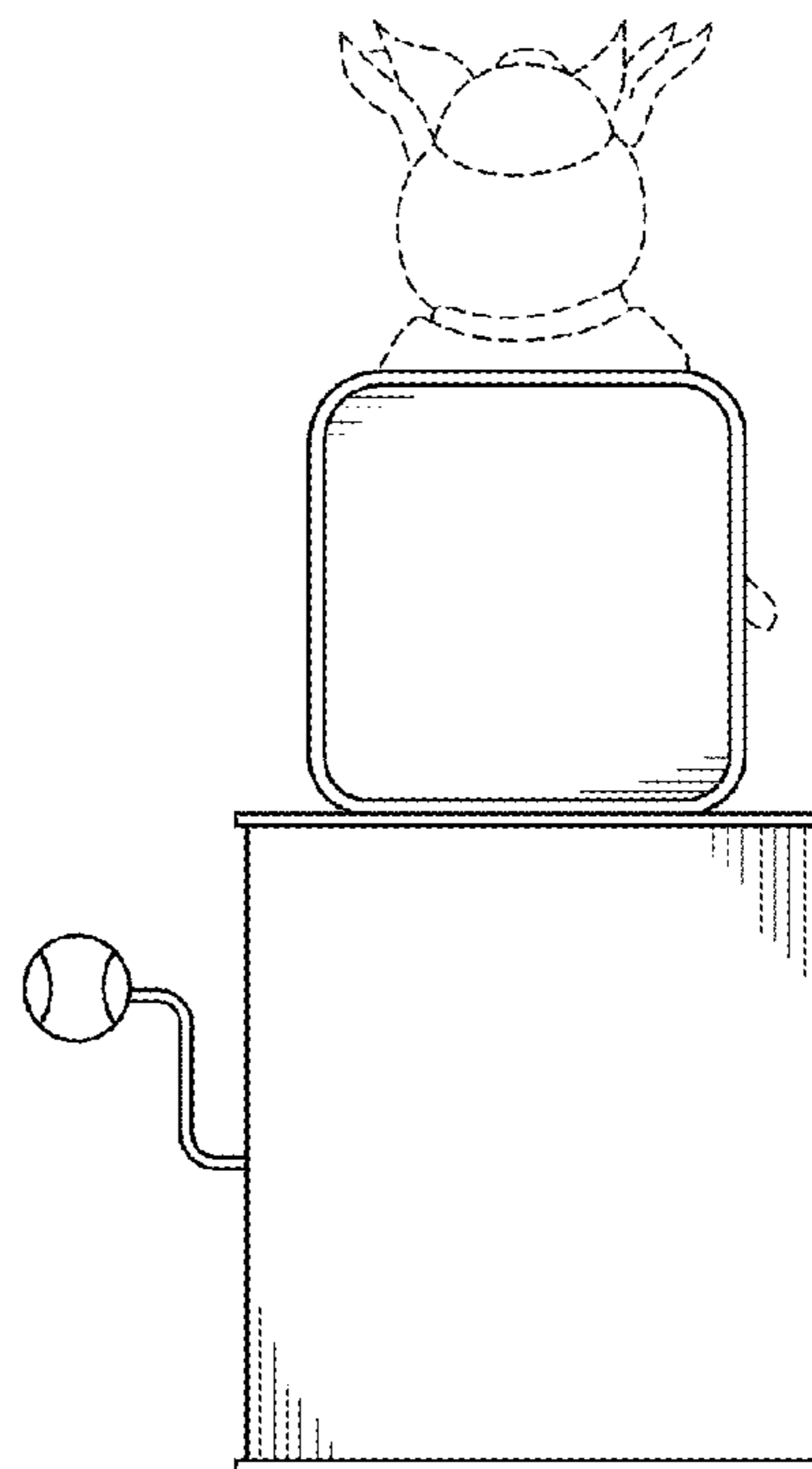


FIG. 4

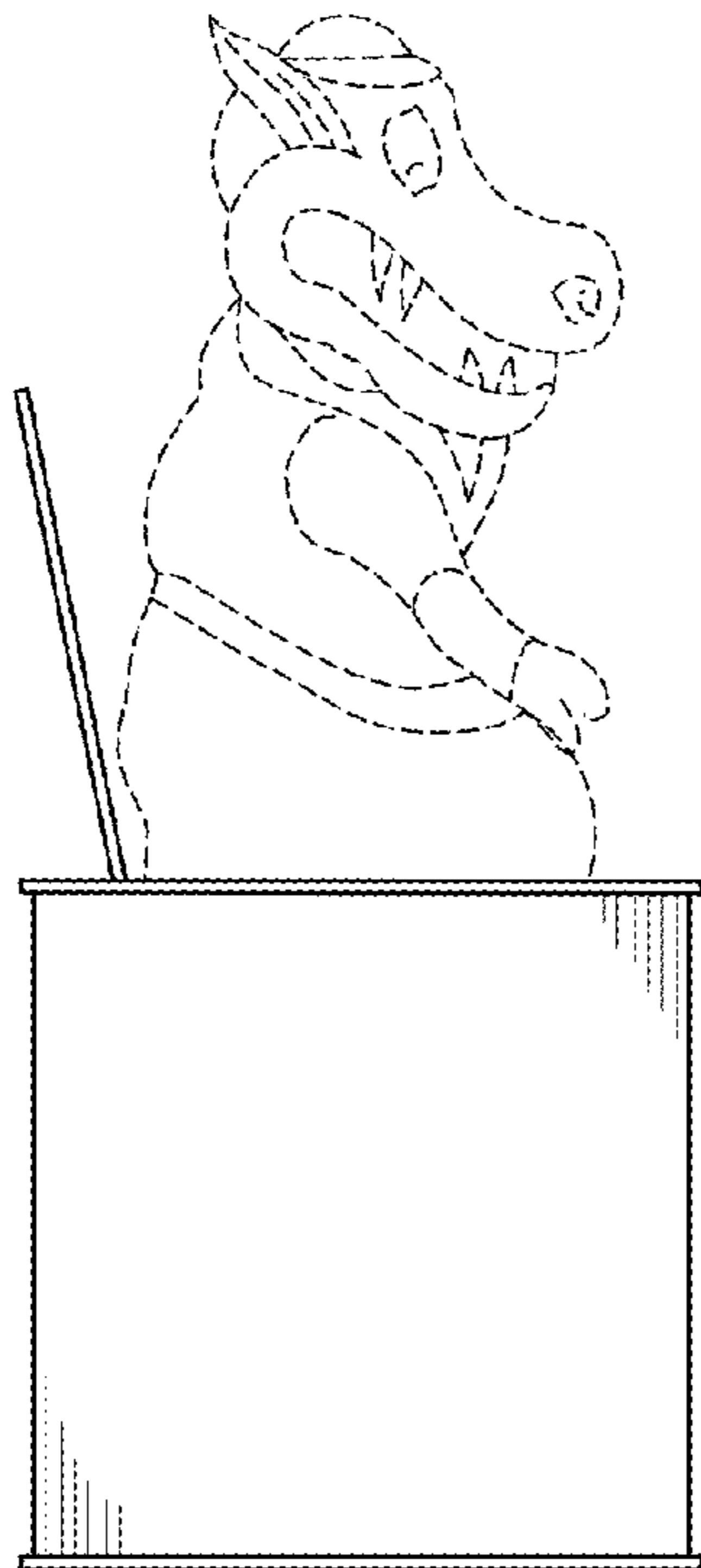


FIG. 5

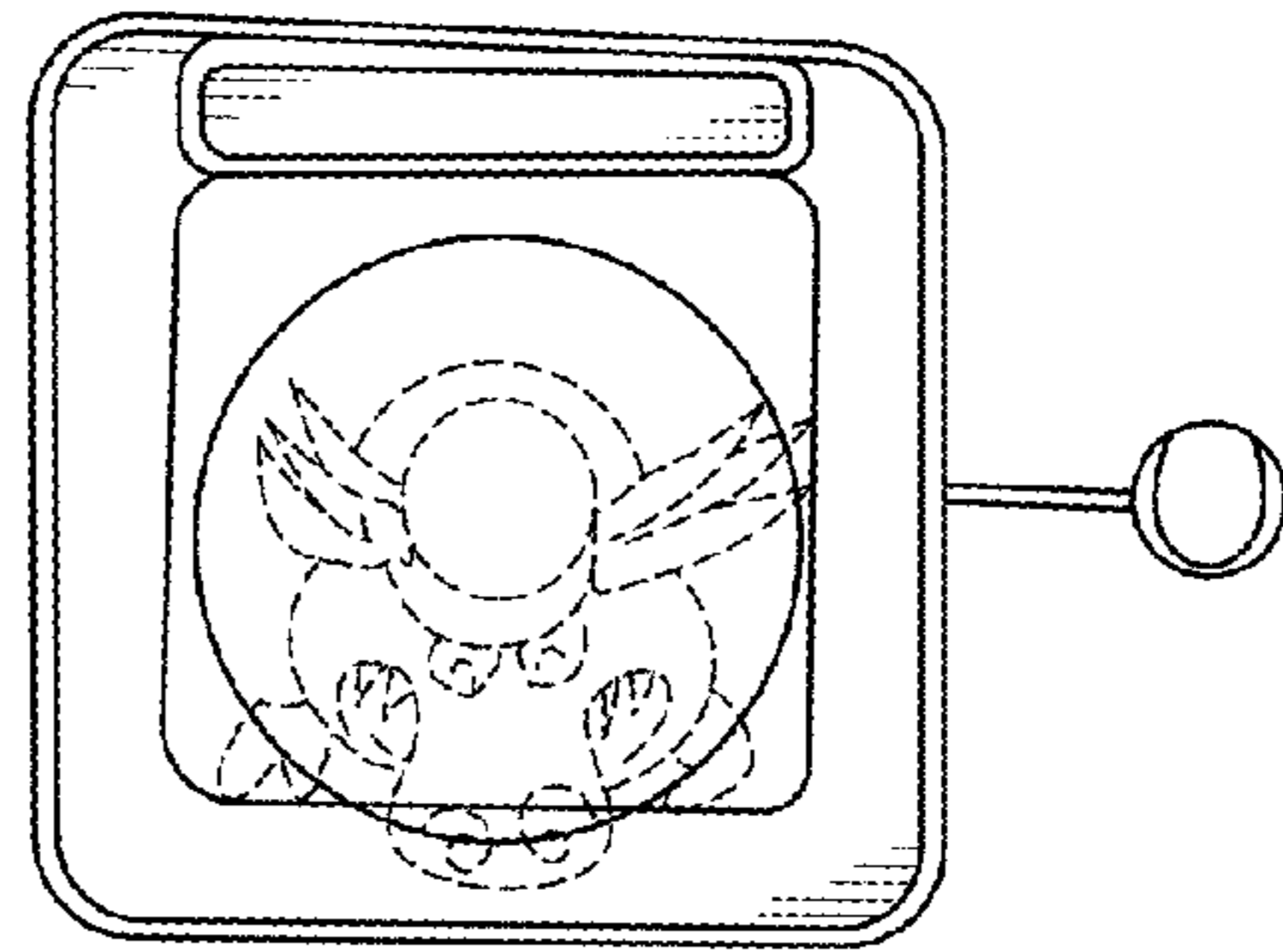


FIG. 6

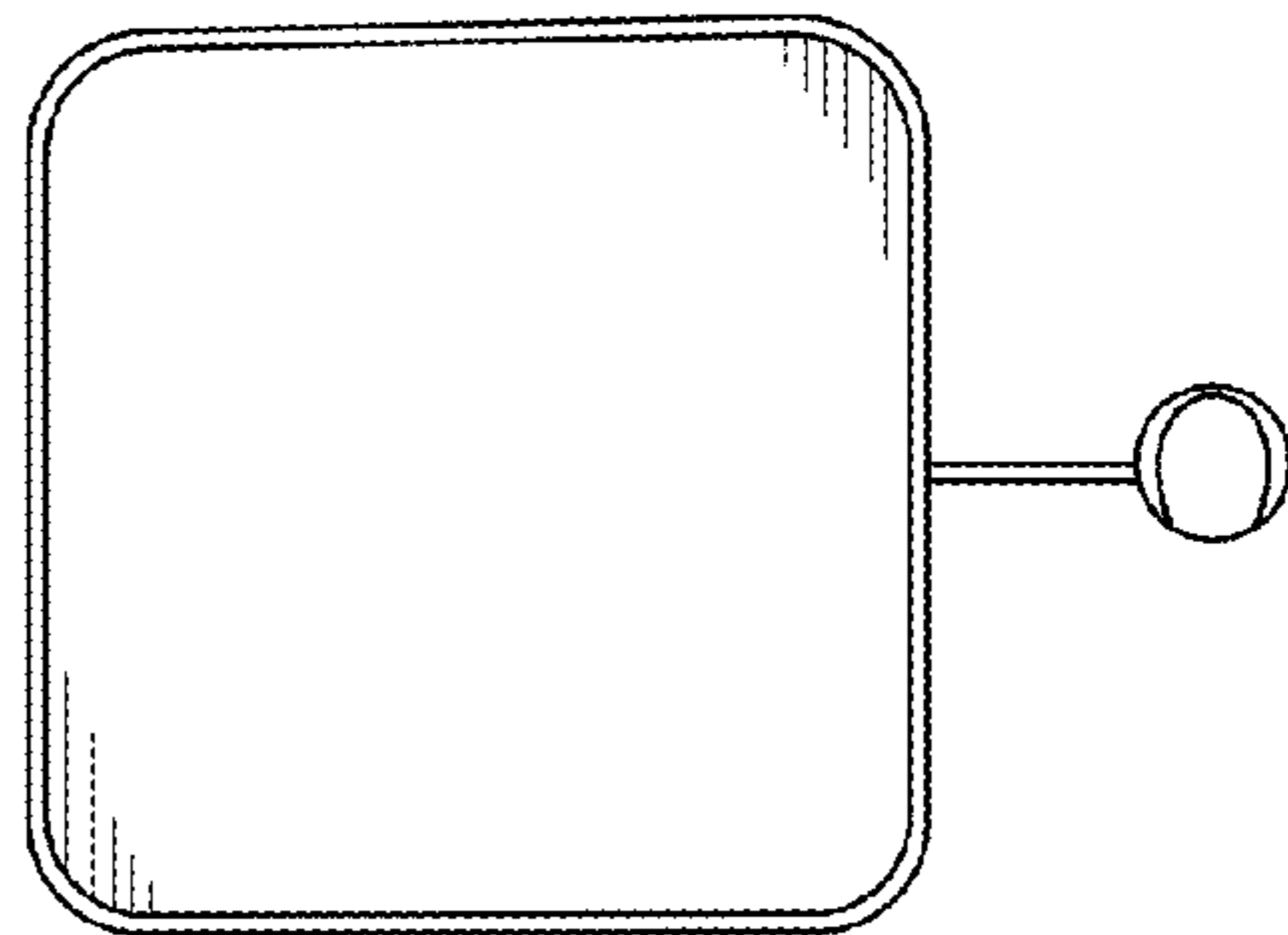


FIG. 7

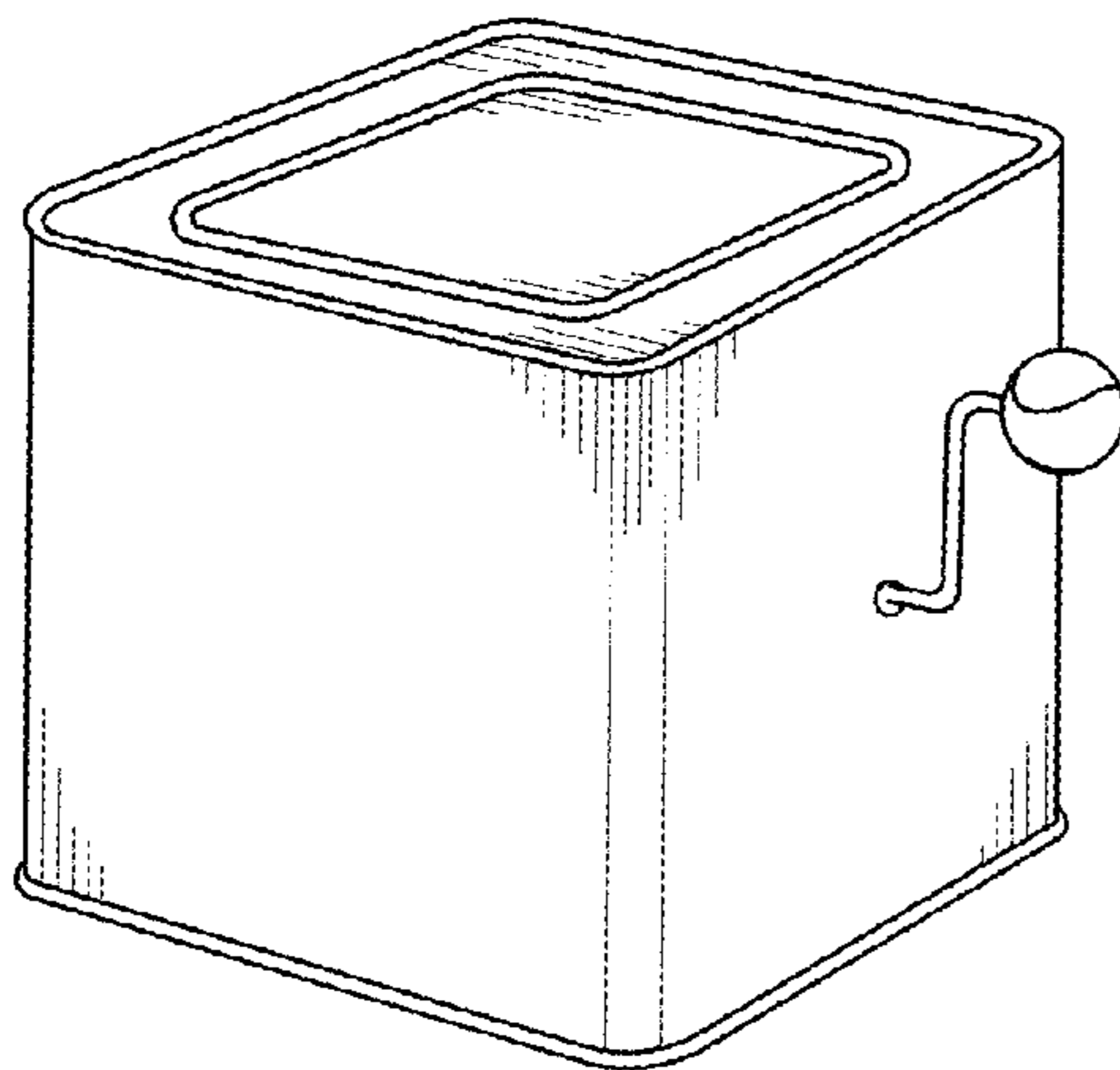


FIG. 8