

US00D729880S

(12) **United States Design Patent**
Nichols et al.

(10) **Patent No.:** **US D729,880 S**
(45) **Date of Patent:** **** May 19, 2015**

(54) **TOY GUN**

(71) Applicant: **Lanard Toys Limited**, Kowloon (HK)

(72) Inventors: **Blake Christopher Nichols**, Tarzana, CA (US); **James Paul Wleklinski**, Ventura, CA (US)

(73) Assignee: **Lanard Toys Limited**, Hong Kong (CN)

(**) Term: **14 Years**

(21) Appl. No.: **29/466,864**

(22) Filed: **Sep. 12, 2013**

(51) **LOC (10) Cl.** **21-01**

(52) **U.S. Cl.**
USPC **D21/573**

(58) **Field of Classification Search**

USPC D21/333, 401, 461, 567, 569, 570, 572, D21/573, 574; 124/16, 26, 27, 28, 29, 45, 124/56, 59, 65, 66, 73-77, 78; 446/23, 182, 446/192, 401, 403, 405-407, 473, 475; 42/54, 57, 58; D22/100, 103, 104; D14/418

See application file for complete search history.

(56) **References Cited**

U.S. PATENT DOCUMENTS

D584,373 S * 1/2009 Young D22/103
D606,614 S * 12/2009 Fitzpatrick et al. D22/103

D638,887 S * 5/2011 En D21/573
D641,825 S * 7/2011 Gridelet D22/103
D660,924 S * 5/2012 Jablonski et al. D21/573
D662,152 S * 6/2012 Markowitz et al. D21/573
D665,037 S * 8/2012 Mead D21/573
D687,905 S * 8/2013 Hadley et al. D21/573

* cited by examiner

Primary Examiner — Cynthia M Chin

(74) *Attorney, Agent, or Firm* — Lerner, David, Littenberg, Krumholz & Mentlik, LLP

(57) **CLAIM**

The ornamental design for toy gun, as shown and described.

DESCRIPTION

FIG. 1 is a perspective view of a toy gun showing our new design;

FIG. 2 is a left side elevational view thereof;

FIG. 3 is a right side elevational view thereof;

FIG. 4 is a front elevational view thereof;

FIG. 5 is a rear elevational view thereof;

FIG. 6 is a top plan view thereof;

FIG. 7 is a bottom plan view thereof; and,

FIG. 8 is a perspective view of the toy gun of FIG. 1 shown partially unassembled.

The broken lines shown are included for the purpose of illustrating the unclaimed portions of the article and form no part of the claimed design.

1 Claim, 5 Drawing Sheets

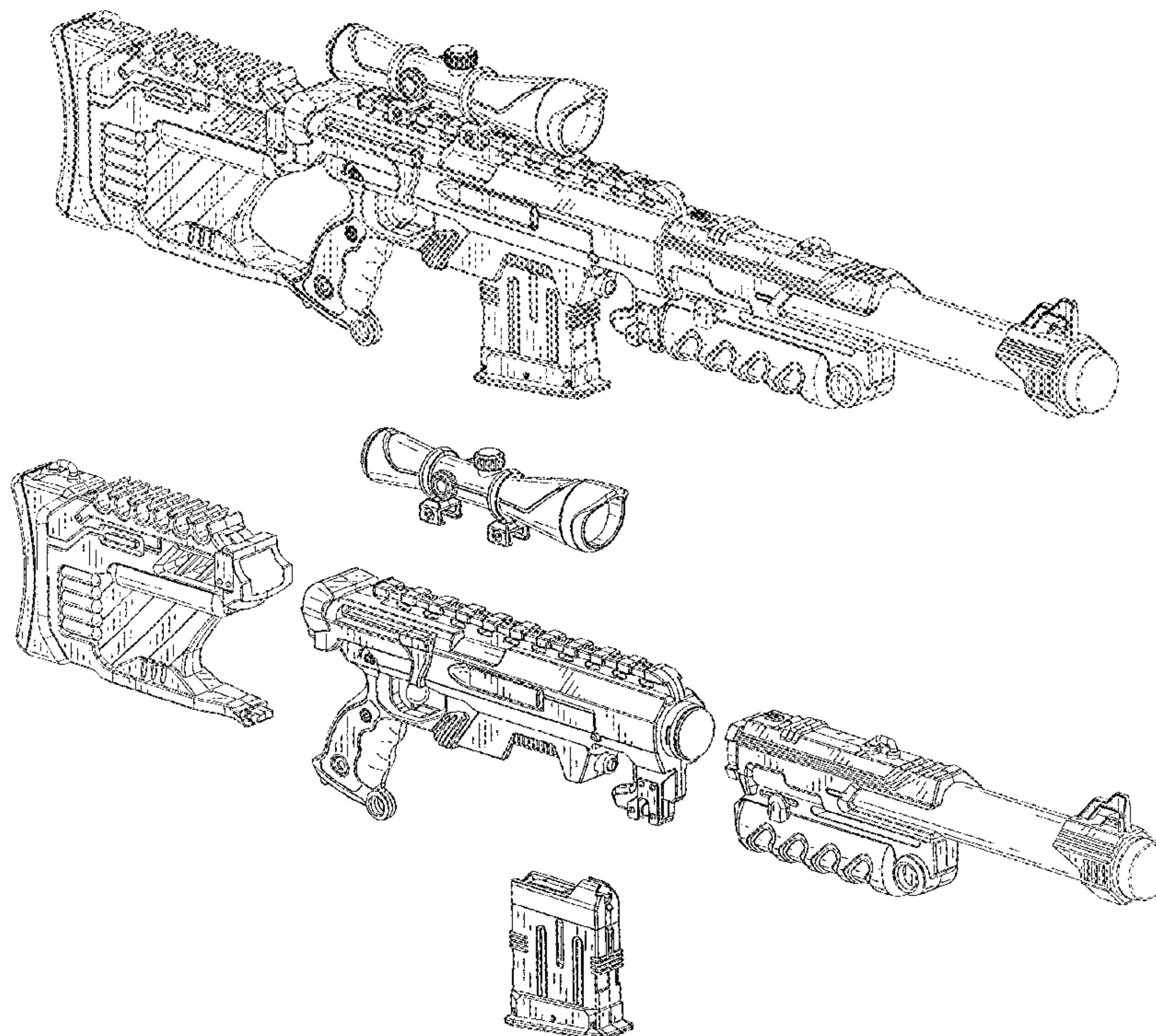


FIG. 1

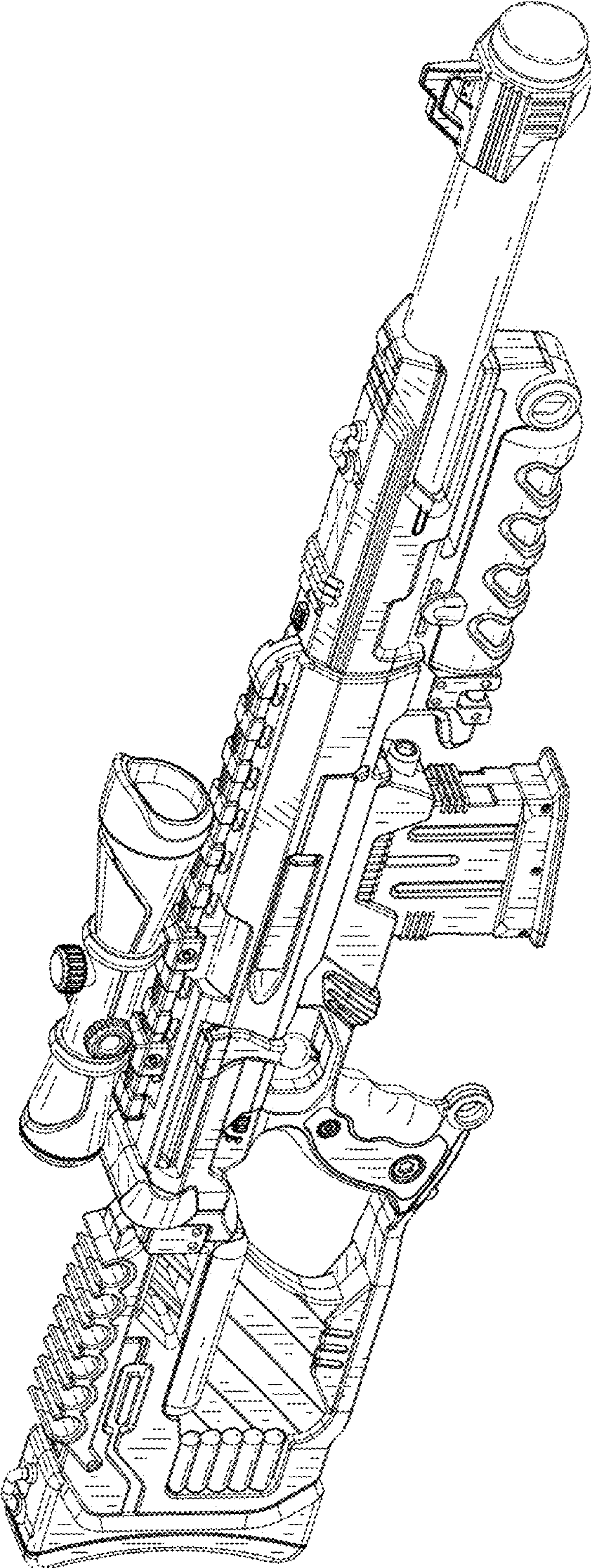


FIG. 2

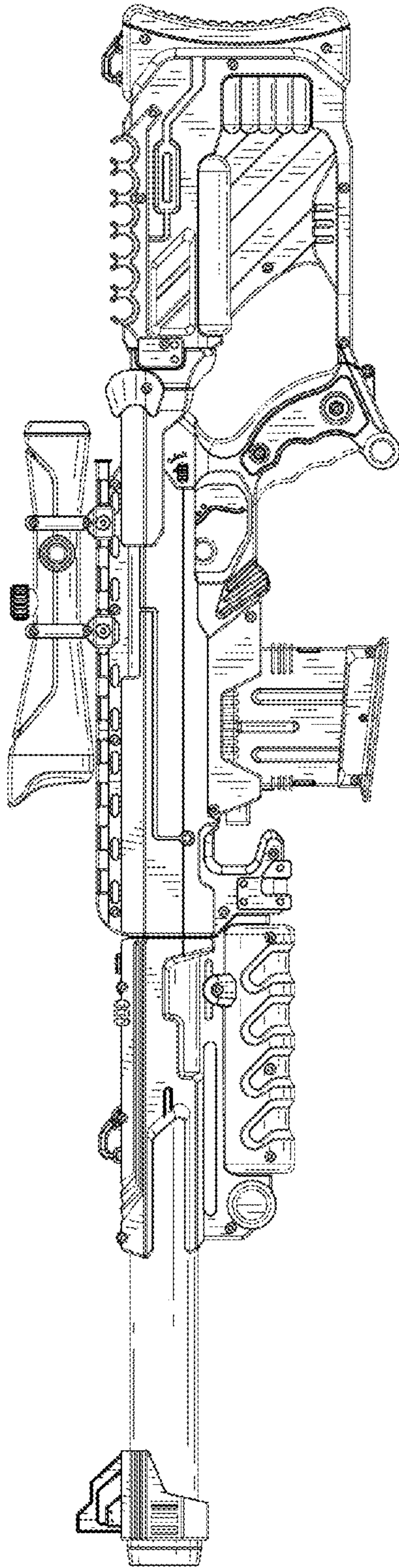


FIG. 3

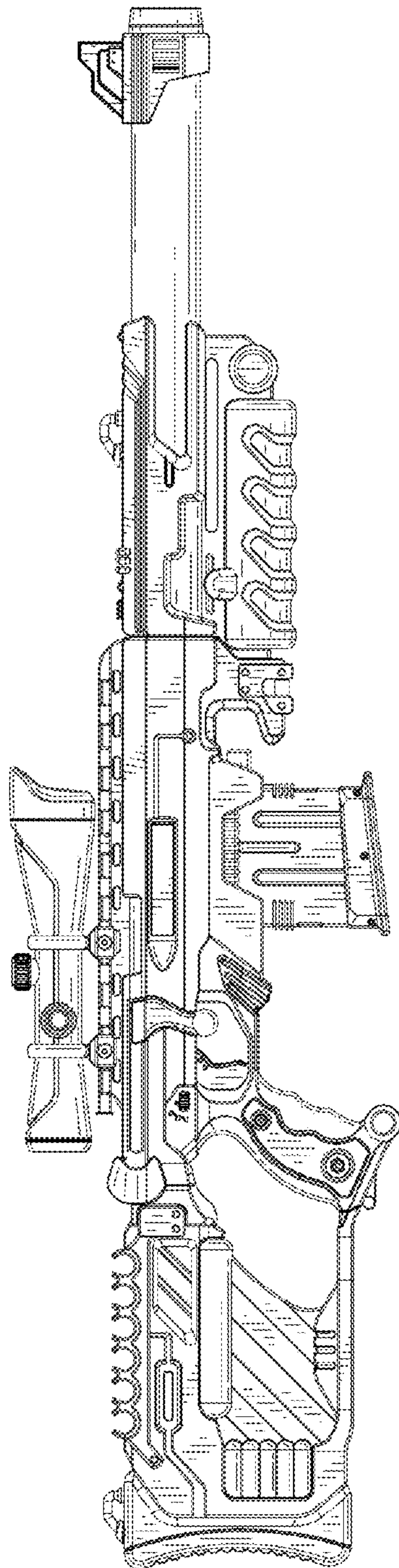


FIG. 4

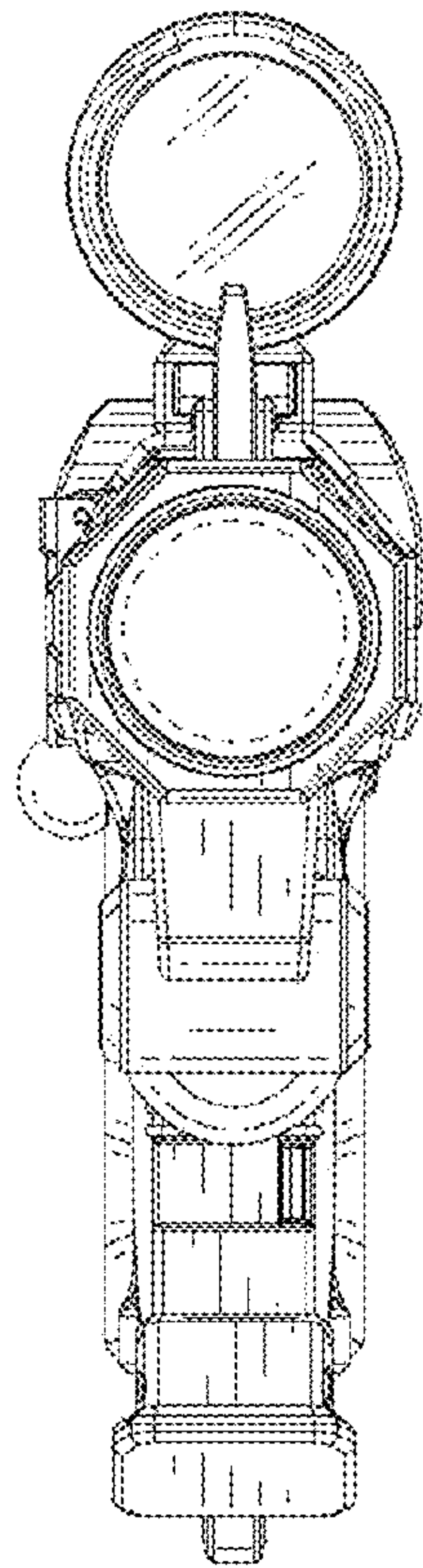


FIG. 5

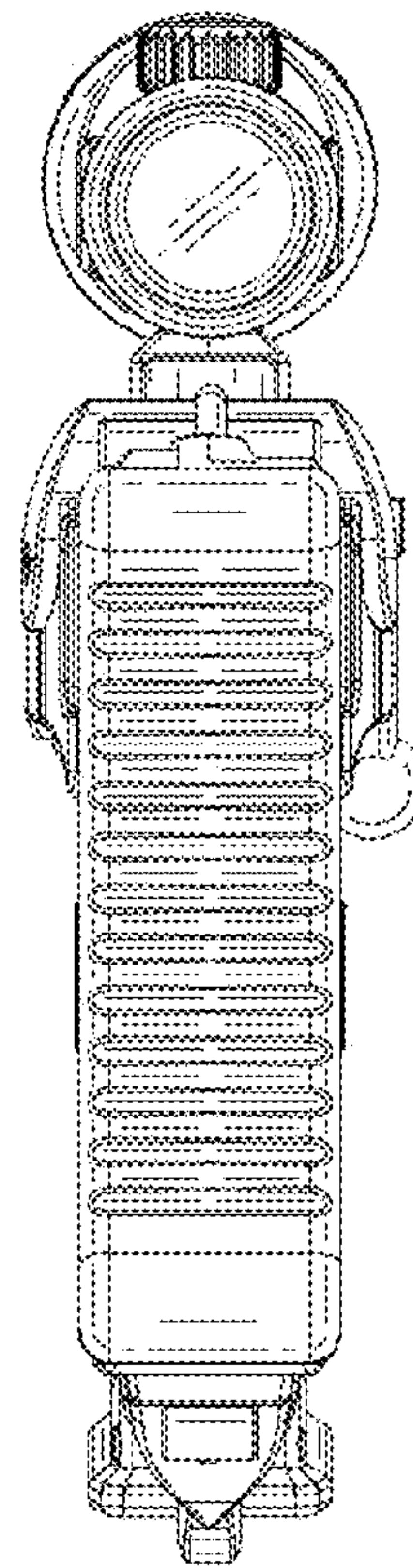


FIG. 6

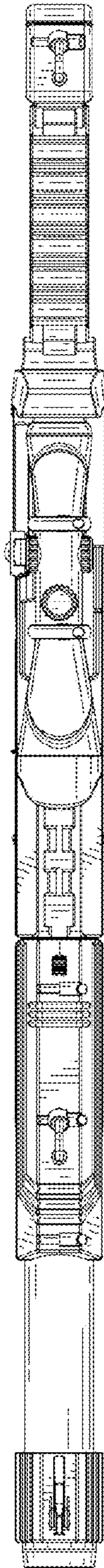


FIG. 7

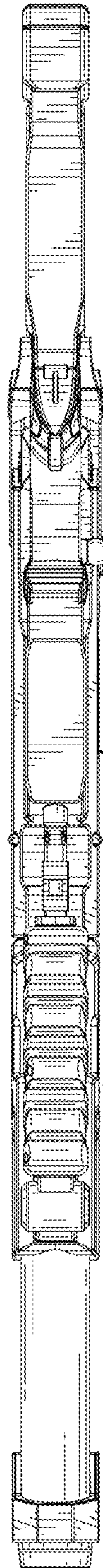


FIG. 8

