



US00D729879S

(12) **United States Design Patent**
Green

(10) **Patent No.:** **US D729,879 S**

(45) **Date of Patent:** **** May 19, 2015**

(54) **BALANCING AMUSEMENT APPARATUS**

(71) Applicant: **Scott D. Green**, Irondale, AL (US)

(72) Inventor: **Scott D. Green**, Irondale, AL (US)

(**) Term: **14 Years**

(21) Appl. No.: **29/448,405**

(22) Filed: **Mar. 12, 2013**

(51) **LOC (10) Cl.** **21-01**

(52) **U.S. Cl.**

USPC **D21/399**

(58) **Field of Classification Search**

CPC A63F 9/26; A63F 7/382; G09B 23/10;
A63B 67/08; A63B 67/086; A63B 21/0608;
A63B 67/10; A63B 67/16; A63H 13/20;
A63H 15/00; A63H 15/04
USPC D21/300, 385, 398, 399, 400, 404, 405,
D21/406, 455, 461, 465, 467, 468, 476,
D21/680-682, 811; D11/141; D17/22, 24,
D17/99; D10/116.1, 188.1; 446/215, 227,
446/228, 233, 236, 240, 265, 266, 396, 418,
446/419, 421, 487, 489; 273/440, 449, 450,
273/459

See application file for complete search history.

(56) **References Cited**

U.S. PATENT DOCUMENTS

476,825	A *	6/1892	Schwartz	446/240
1,141,434	A *	6/1915	Tosta	446/246
2,458,851	A *	1/1949	Harris	446/234
2,492,066	A *	12/1949	Schildmeier	434/376
2,551,668	A *	5/1951	Goosmann	446/326
2,684,850	A *	7/1954	Williams	473/576
D180,592	S *	7/1957	Ford	D21/455
2,958,156	A *	11/1960	Schmahl et al.	446/27
3,135,066	A *	6/1964	Scherer	446/266
3,202,424	A *	8/1965	Patterson	273/449
D207,605	S *	5/1967	Van	D17/22

3,614,106	A *	10/1971	Morrison et al.	273/156
3,901,505	A *	8/1975	Gerechter	446/27
4,057,247	A *	11/1977	Morrison	273/450

(Continued)

Primary Examiner — Catherine Tuttle

(74) *Attorney, Agent, or Firm* — Bush Intellectual Property Law; Kenneth M. Bush

(57) **CLAIM**

I claim the ornamental design for a balancing amusement apparatus, as shown and described.

DESCRIPTION

FIG. 1 is a left front perspective view of a balancing amusement apparatus showing my new design with its top portion in a first orientation;

FIG. 2 is a front elevation view thereof in the first orientation, the rear elevation view being identical to the front elevation view;

FIG. 3 is a left side elevation view thereof in the first orientation, the right side elevation view being identical to the left side elevation view;

FIG. 4 is a top plan view thereof in the first orientation;

FIG. 5 is a bottom plan view thereof in the first orientation;

FIG. 6 is a left front perspective view thereof in a second orientation;

FIG. 7 is a front elevation view thereof with its top portion in a second, inverted orientation, the rear elevation view being identical to the front elevation view;

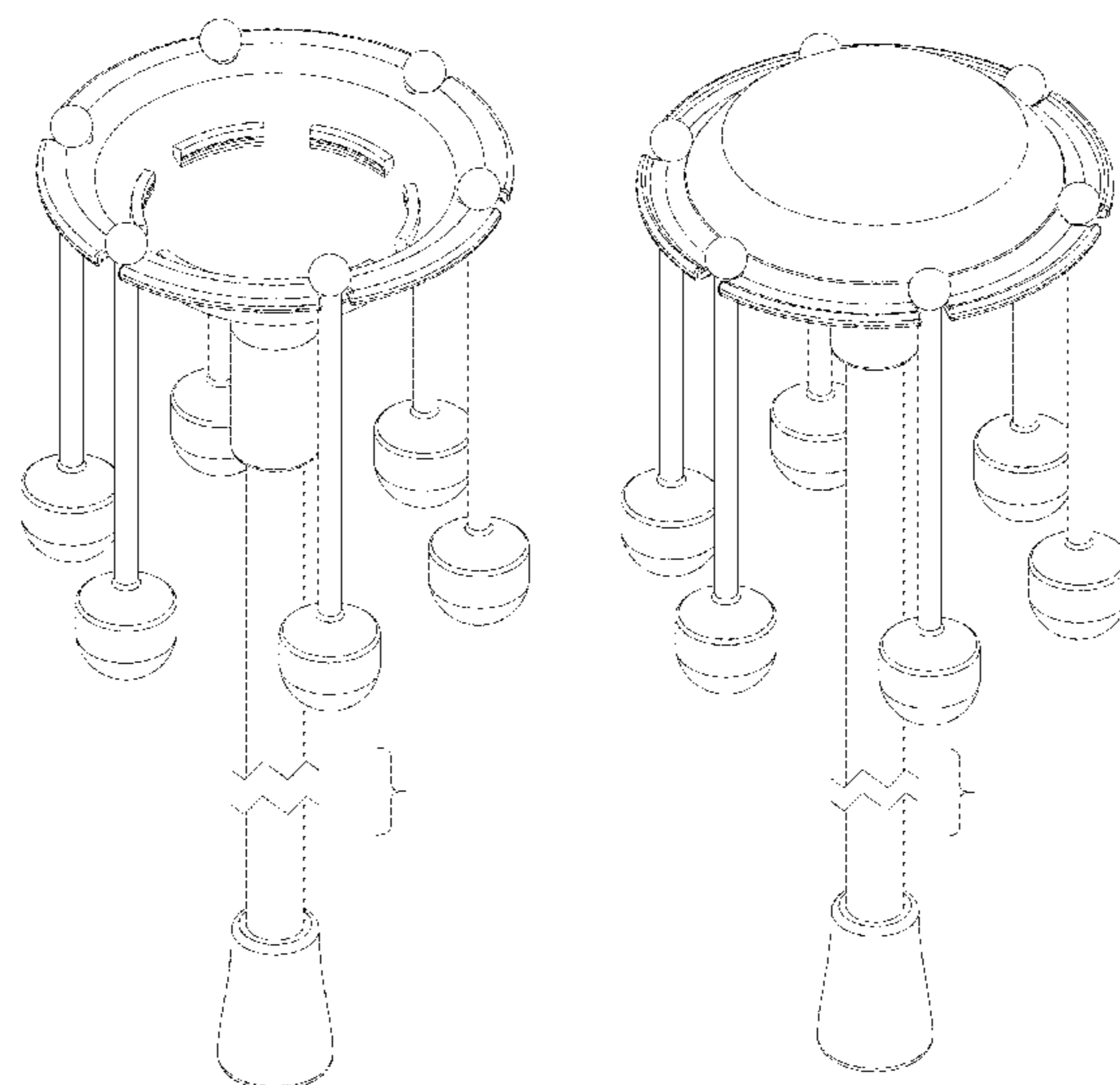
FIG. 8 is a left side elevation view thereof in the second orientation, the right side elevation view being identical to the left side elevation view;

FIG. 9 is a top plan view thereof in the second orientation; and,

FIG. 10 is a bottom plan view thereof in the second orientation.

In FIGS. 4 and 9, the broken lines illustrating numbers are for illustrative purposes only and form no part of the claimed design. In FIGS. 1-3 and 6-8, the balance pole has been broken with wavy lines to indicate indefinite length.

1 Claim, 10 Drawing Sheets



(56)

References Cited

U.S. PATENT DOCUMENTS

4,096,659	A *	6/1978	Keane	446/240	5,986,189	A *	11/1999	Yang	84/95.2
4,358,110	A *	11/1982	Youkstetter	273/450	6,666,452	B1 *	12/2003	Kielar	273/138.1
5,346,229	A *	9/1994	Hunter	273/449	7,303,193	B2	12/2007	Miletich		
D414,283	S *	9/1999	Gibson	D26/10	7,900,931	B2 *	3/2011	Cornish	273/450
D414,818	S *	10/1999	Duggan	D21/399	8,783,690	B1 *	7/2014	Green	273/450
						2005/0017457	A1 *	1/2005	Dubinsky	273/440
						2006/0281388	A1 *	12/2006	Quarles	446/418
						2010/0267310	A1 *	10/2010	Jeong	446/227

* cited by examiner

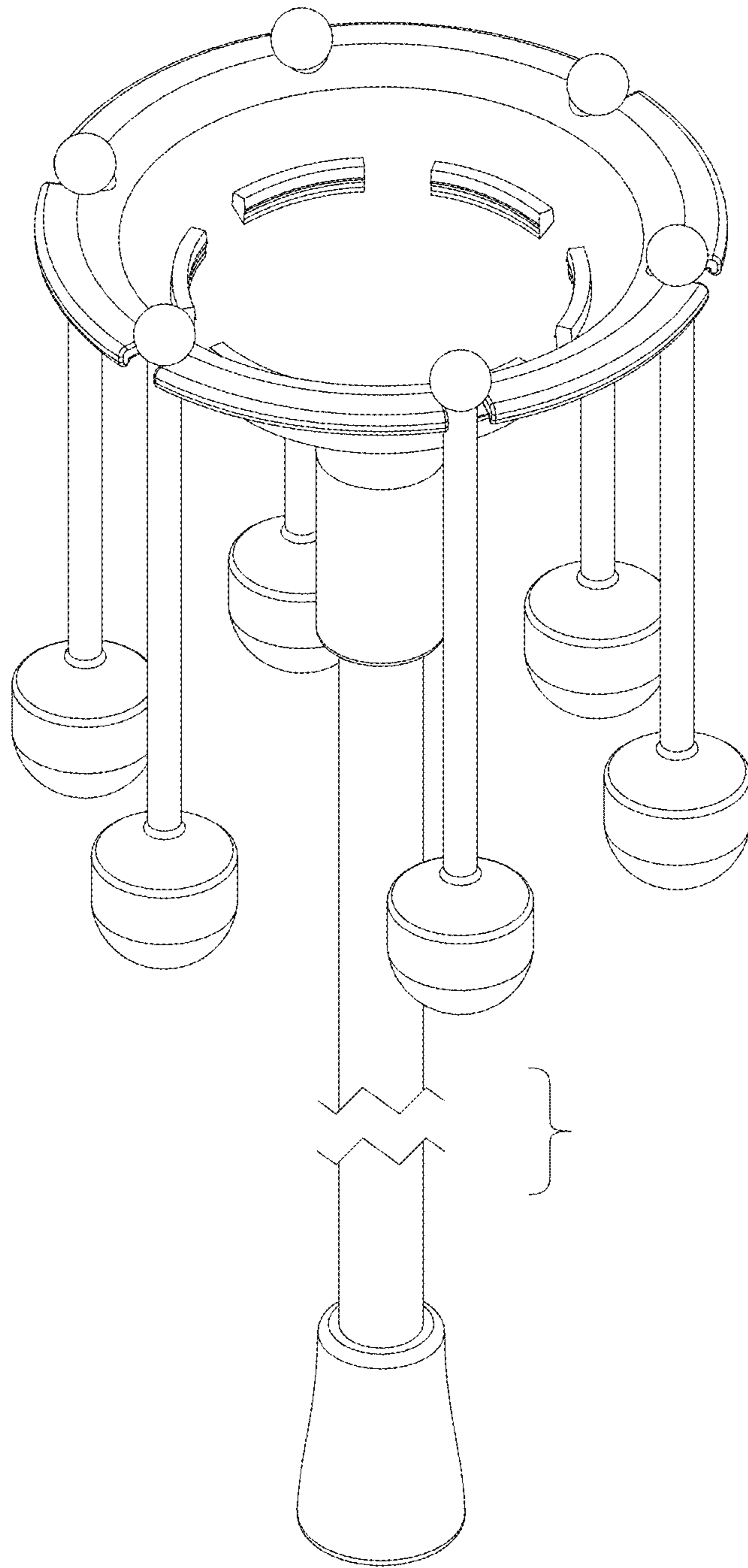


FIG. 1

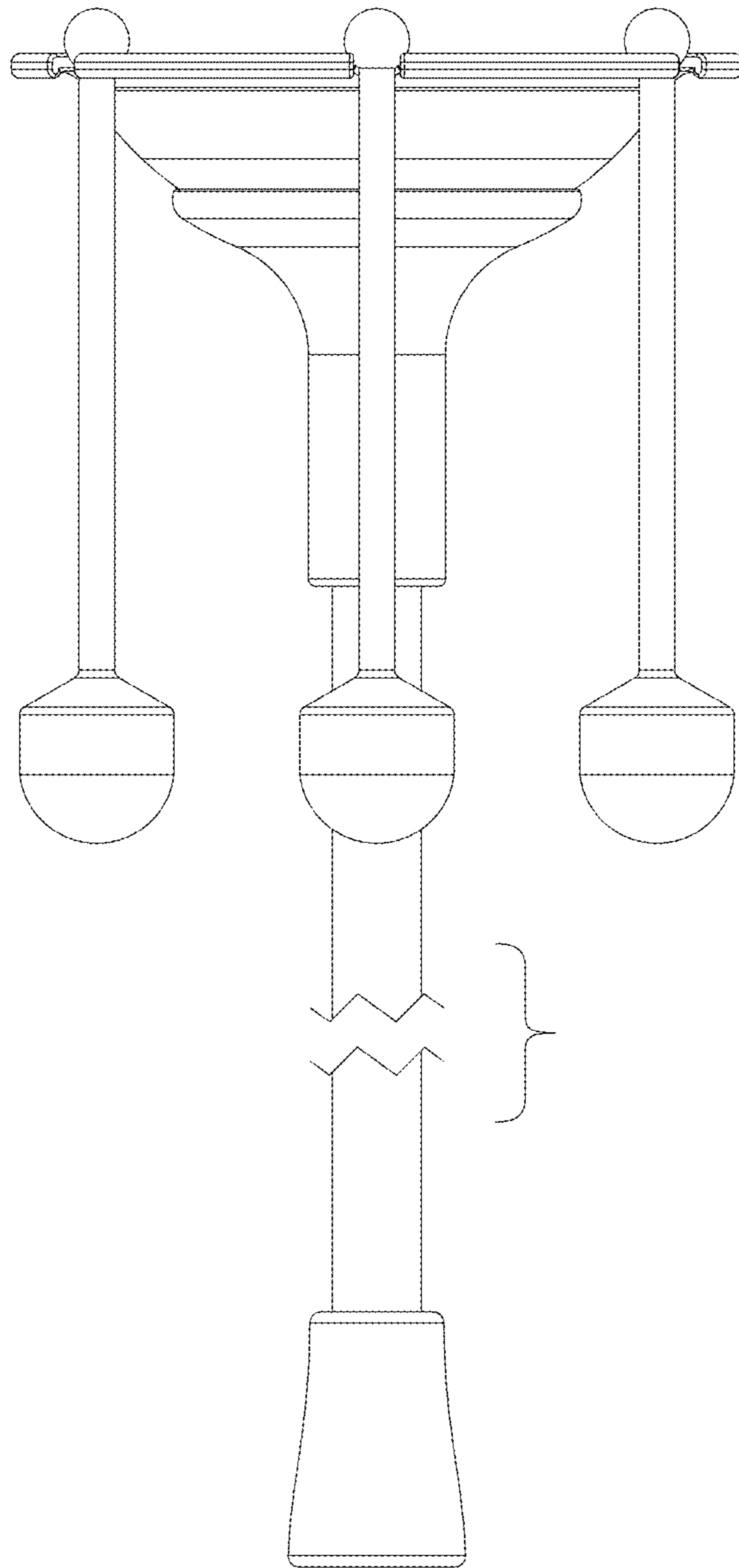


FIG. 2

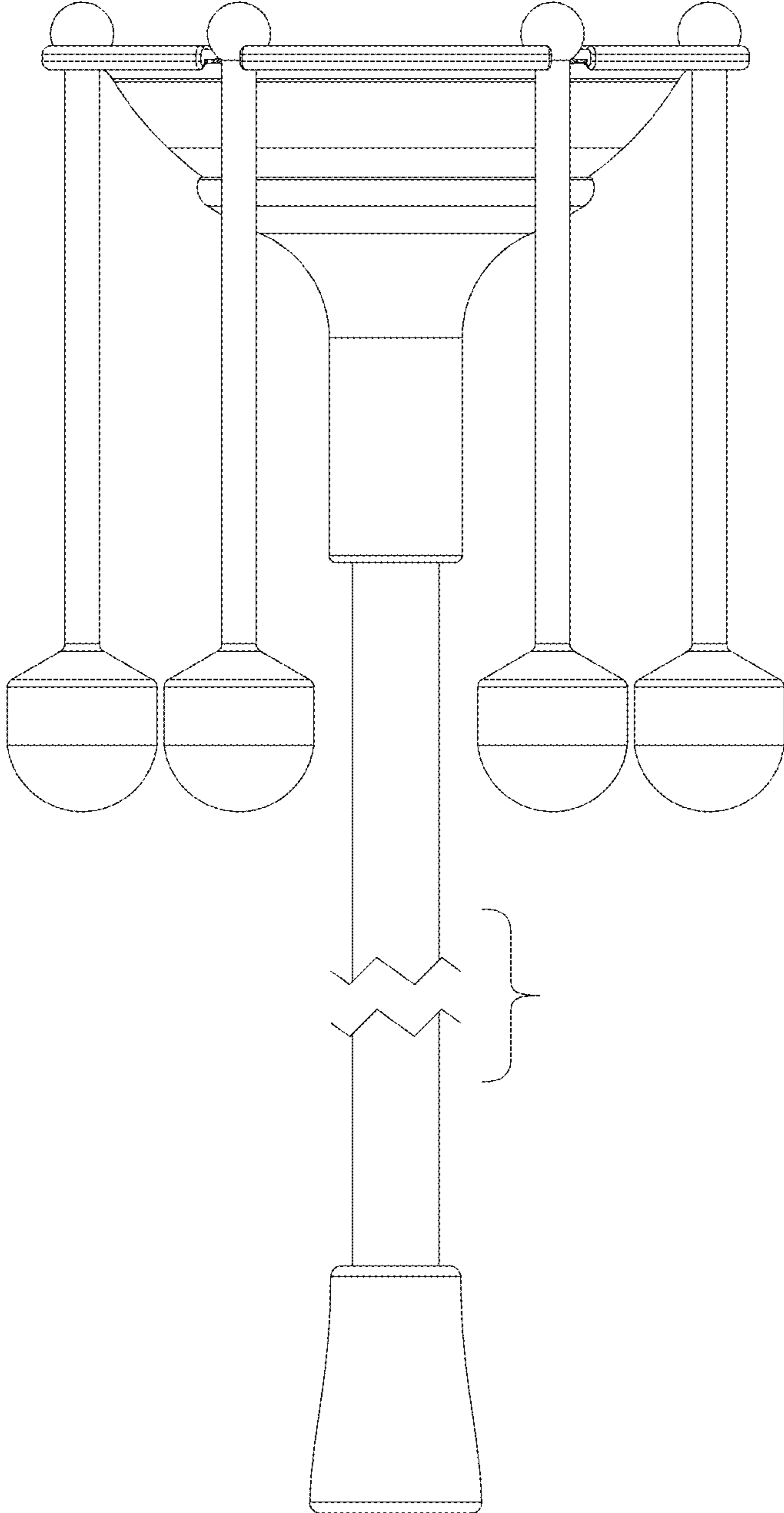


FIG. 3

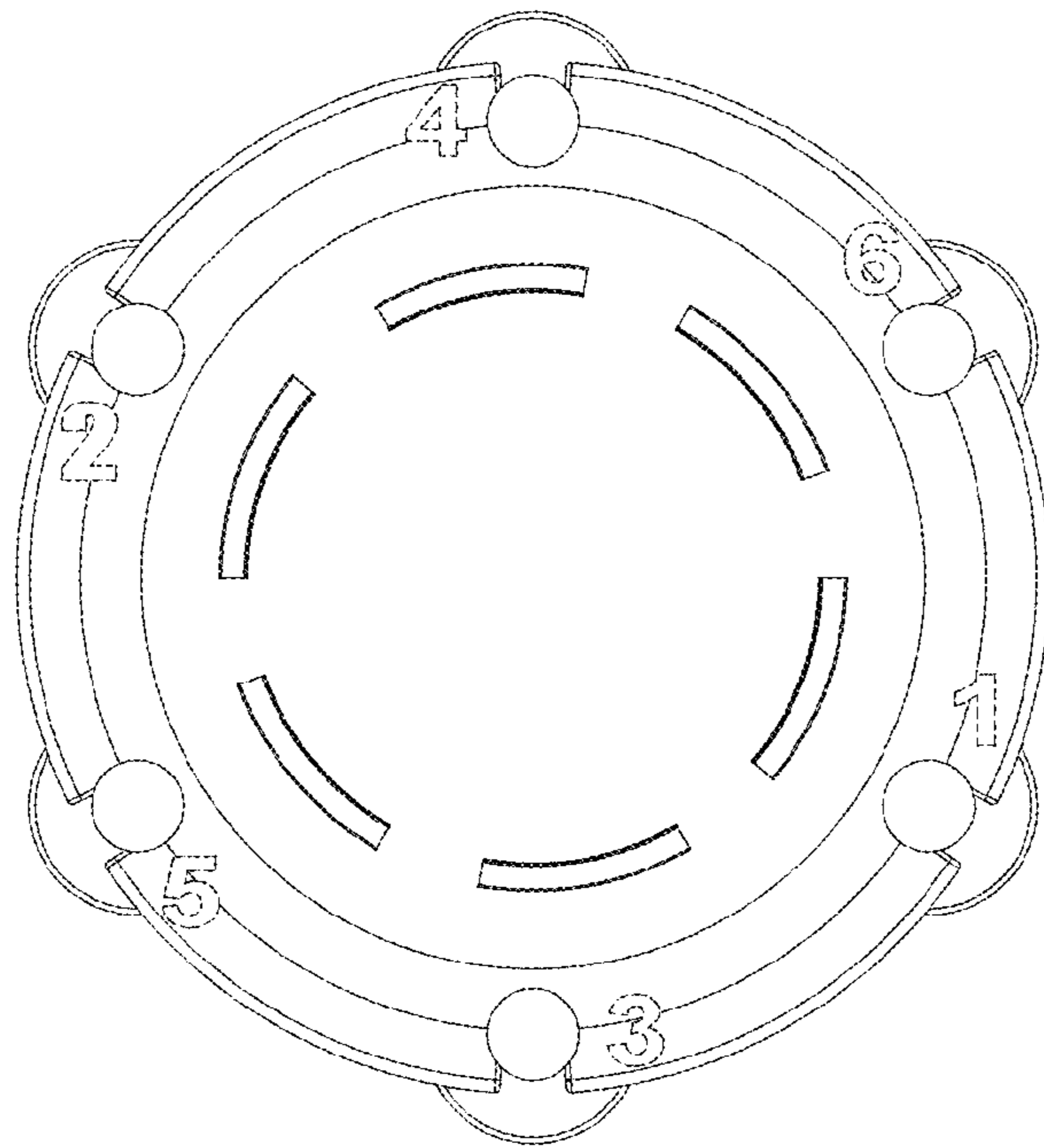


FIG. 4

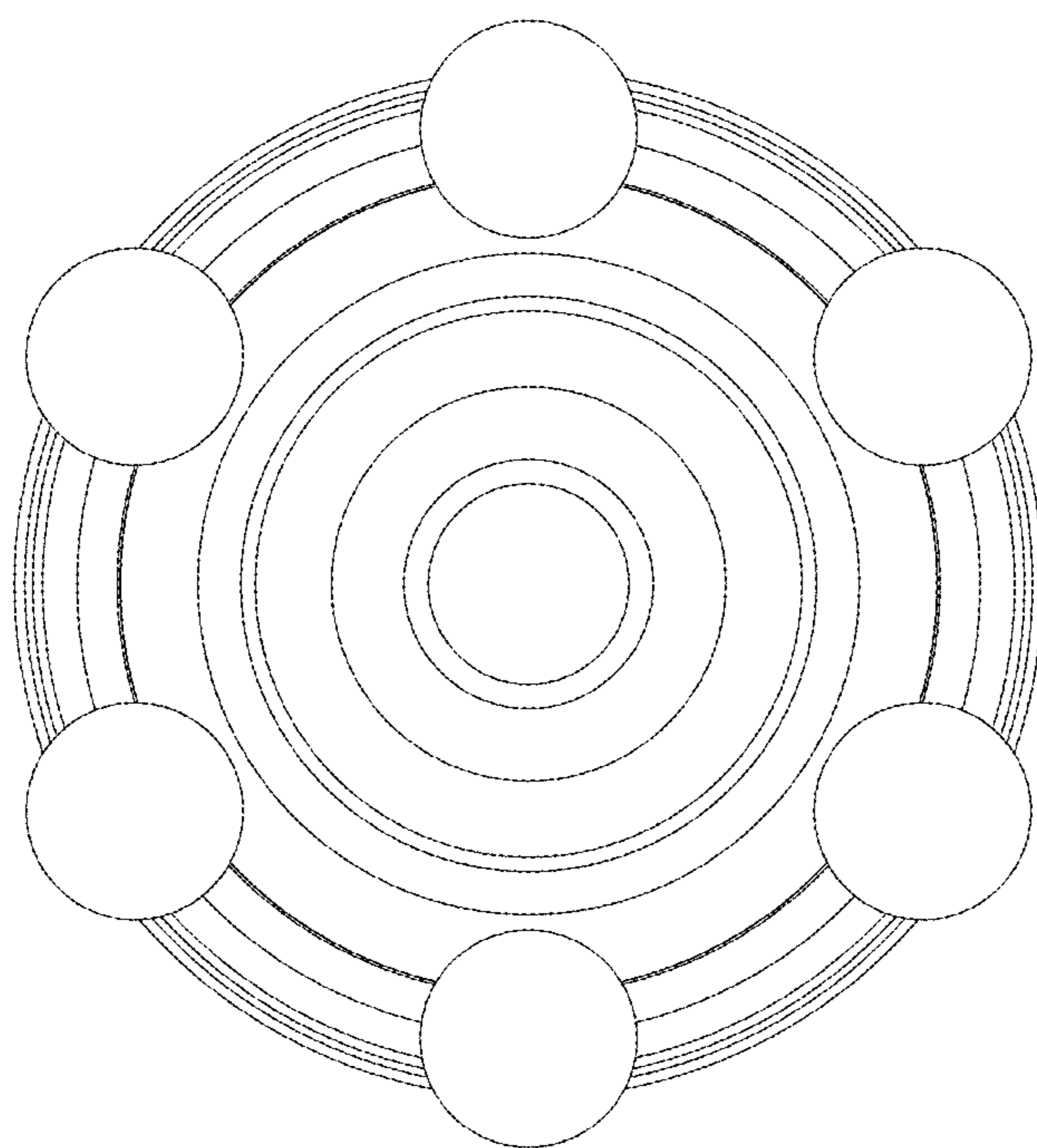


FIG. 5

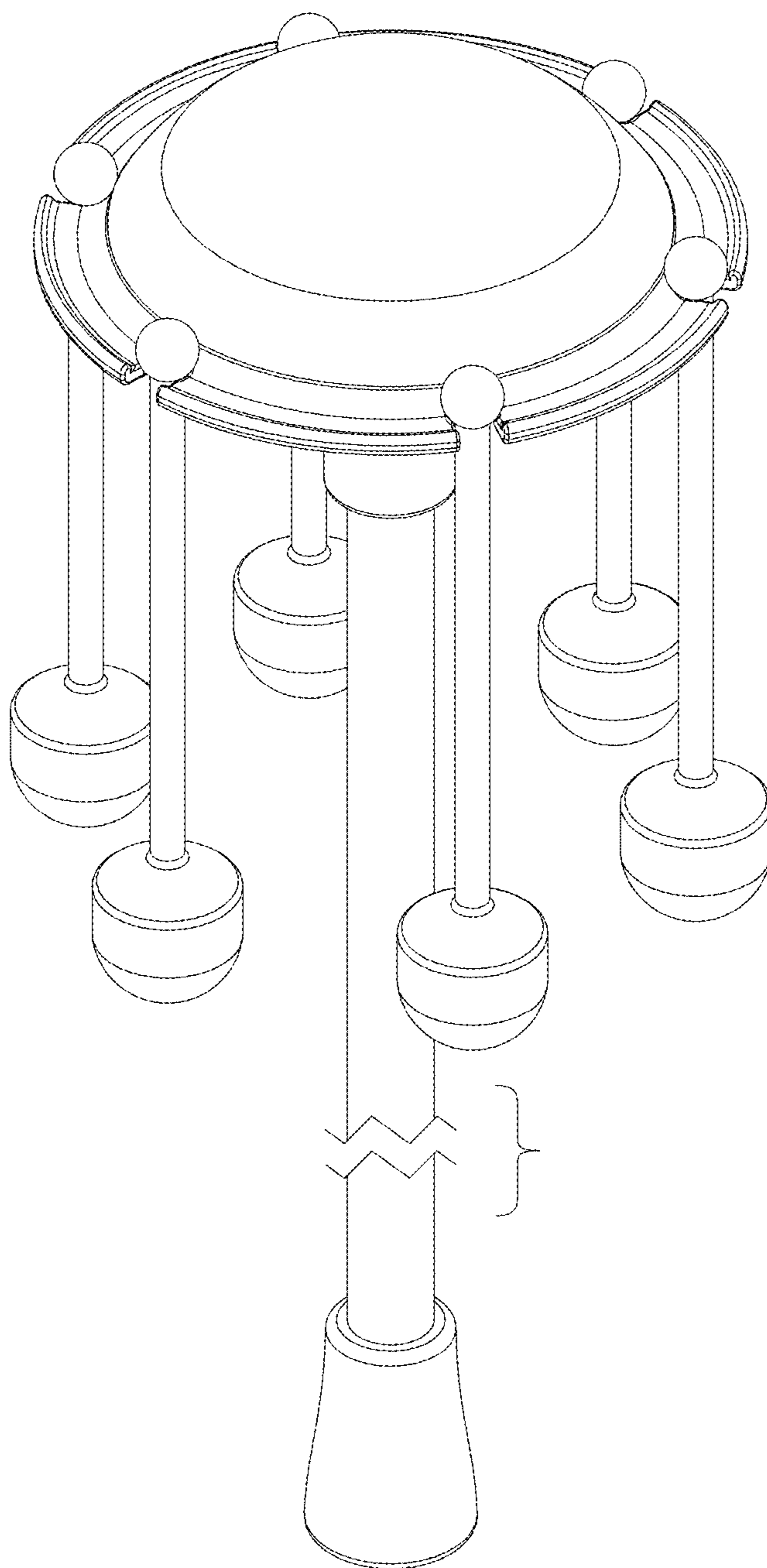


FIG. 6

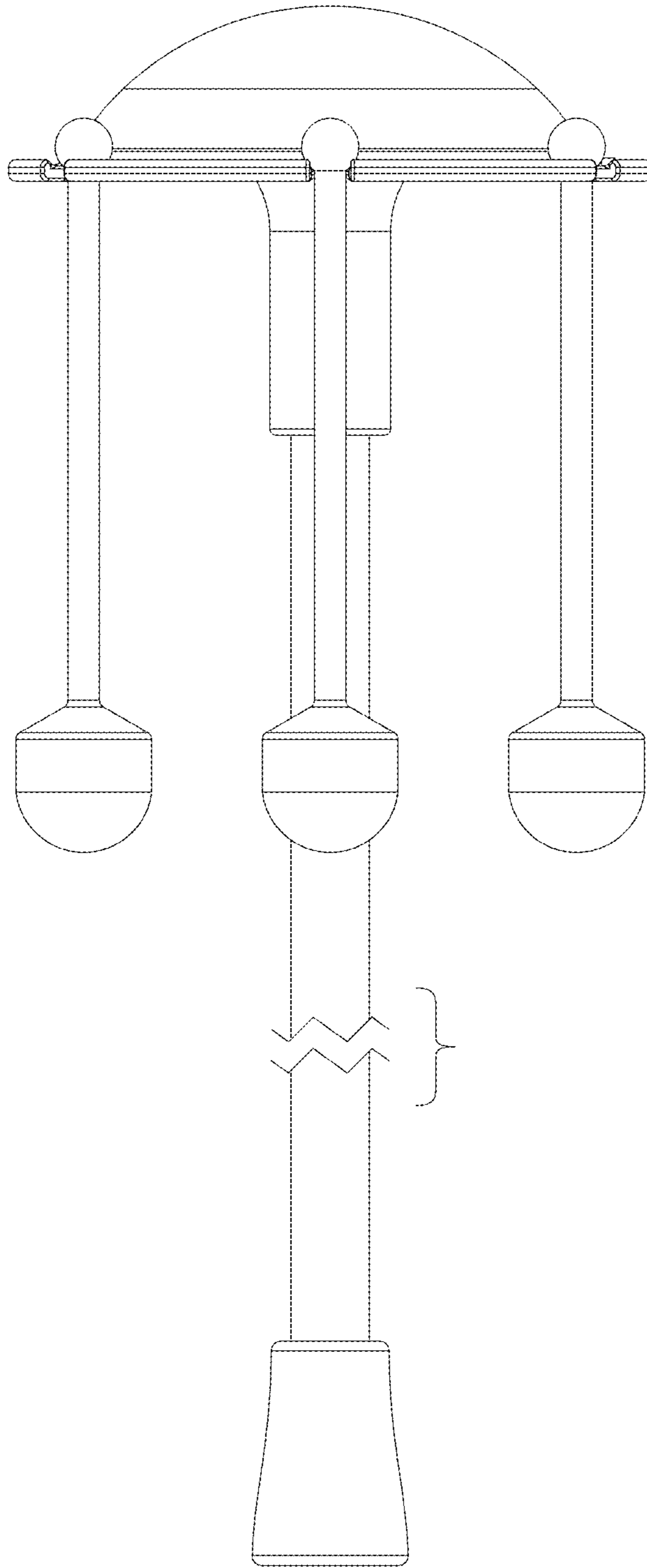


FIG. 7

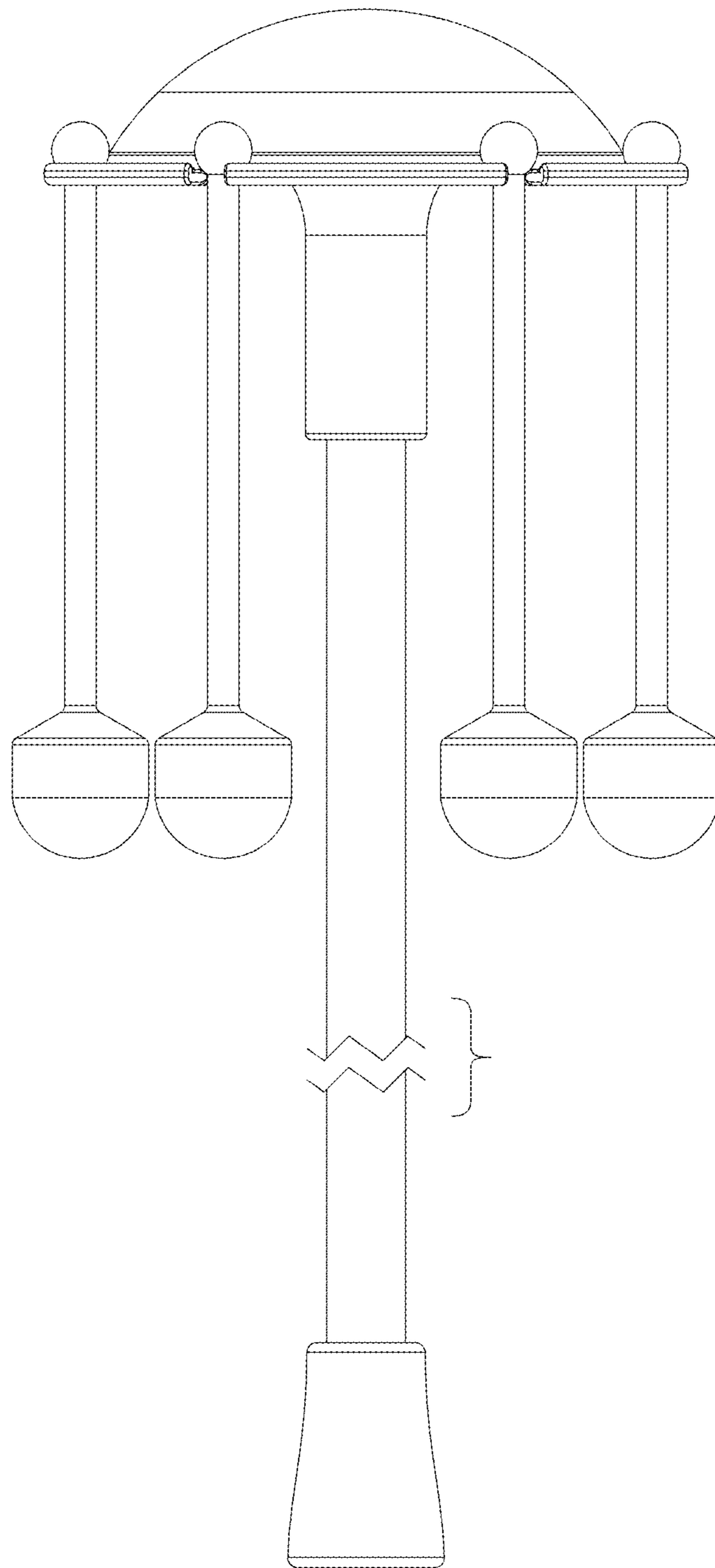


FIG. 8

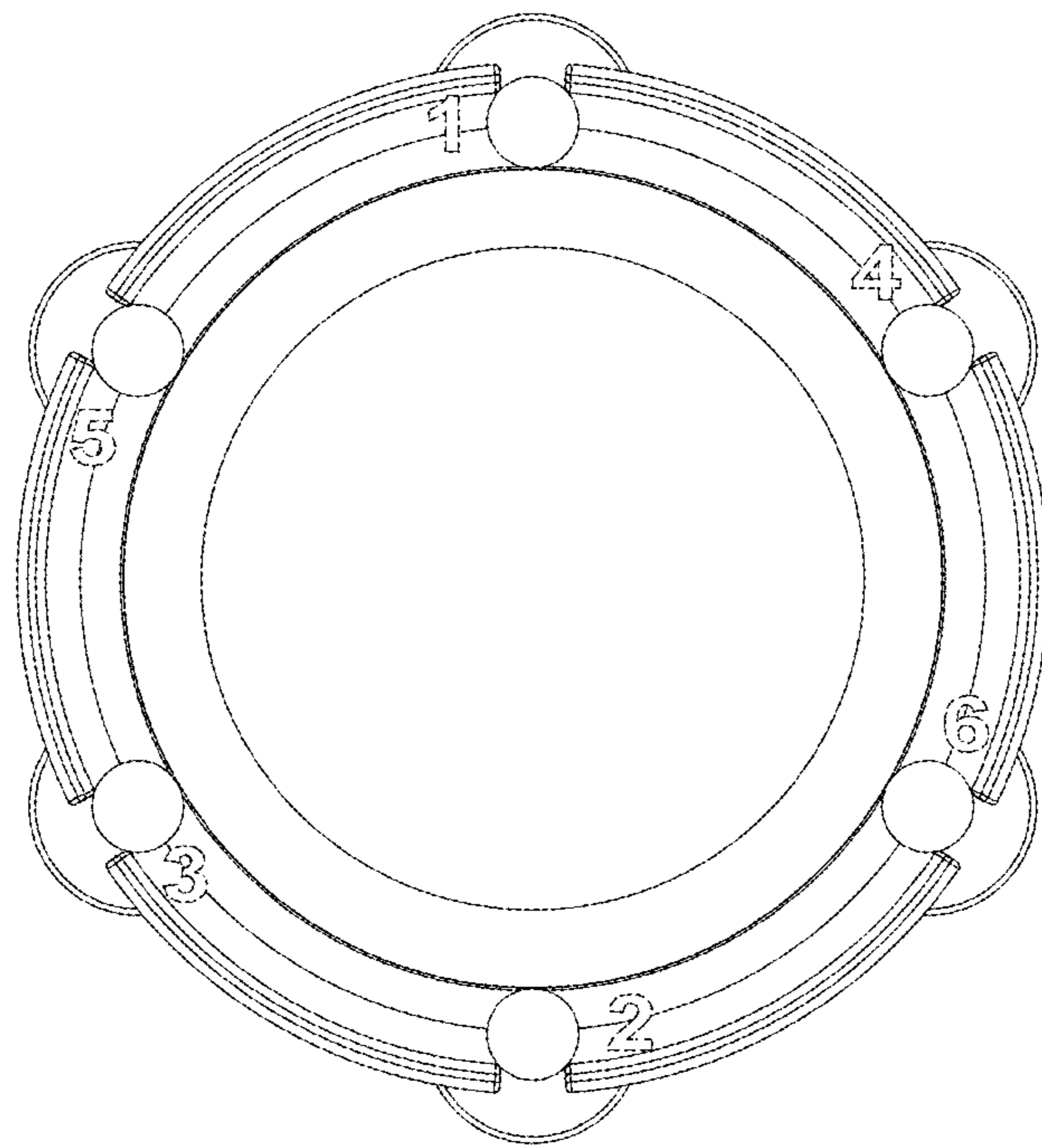


FIG. 9

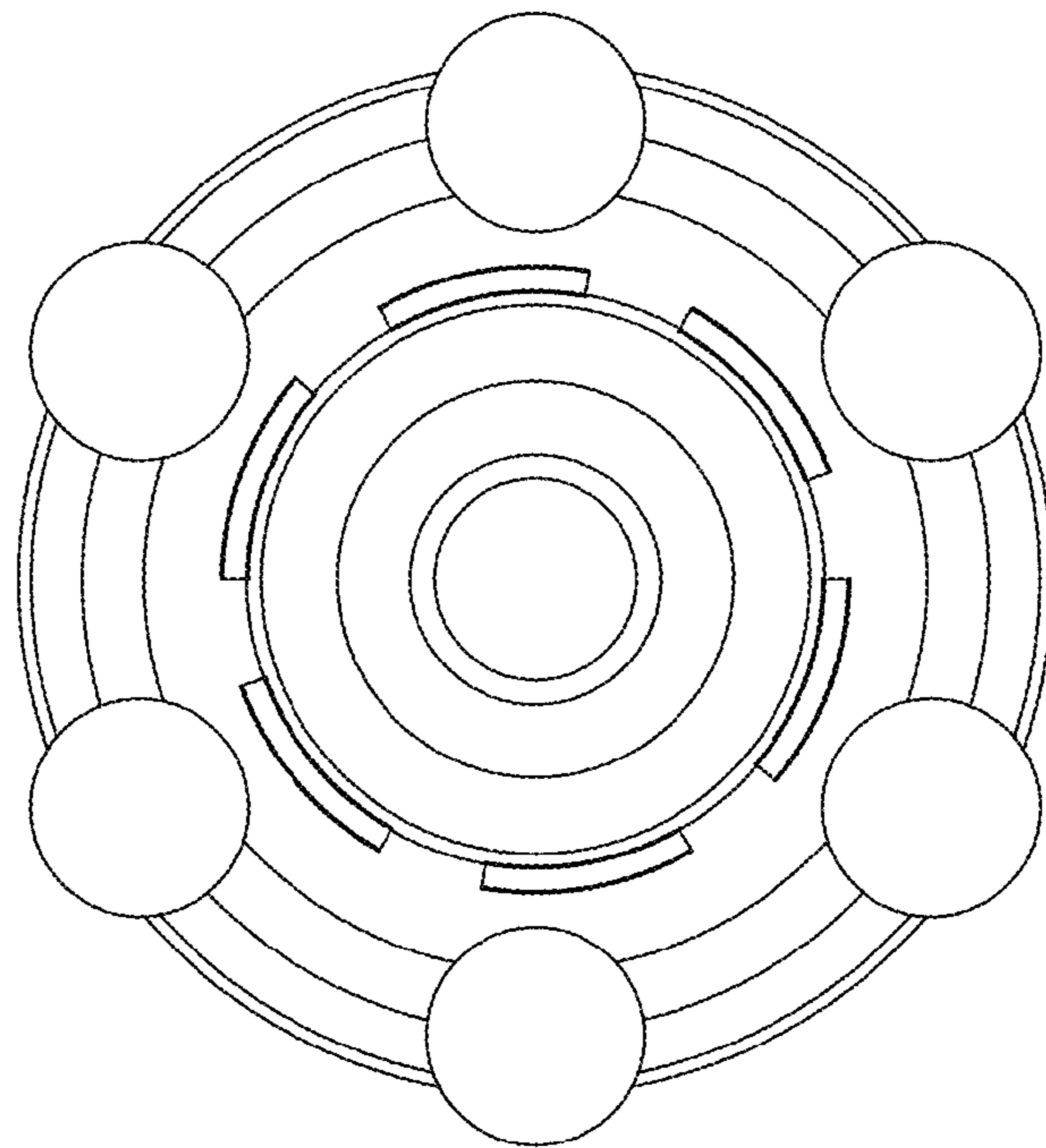


FIG. 10